

# WARNING!!

Children have died from furniture tipover. Tip restraints have been included with this product; you must install the tip restraints according to these instructions in order to minimize the risk of furniture tipping. If you have any questions about this product or the tip restraint, please send us an email at [tip\\_restraint\\_help@Noblehousefurniture.com](mailto:tip_restraint_help@Noblehousefurniture.com)

NEVER allow children to climb or hang on furniture , including drawers or cabinet doors.

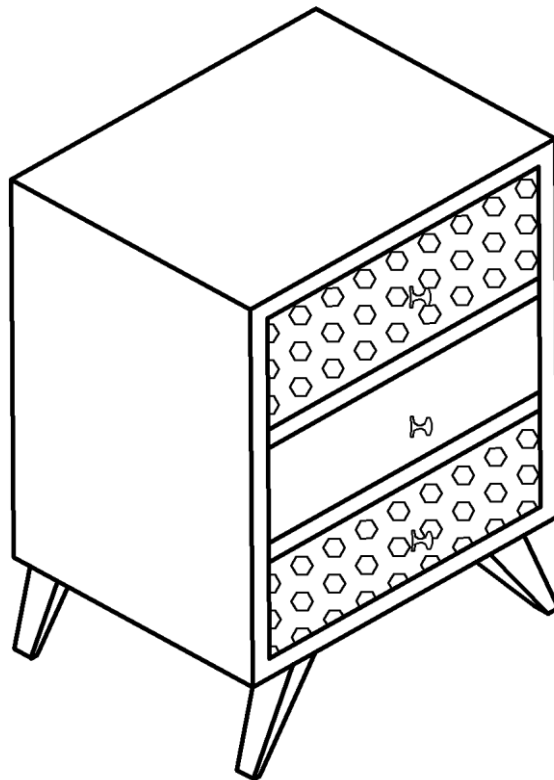
In addition to installing the restrains. To help prevent tip-over  
1. **NEVER** put a **TV** or other heavy objects on top of this product”.  
2. Do not stand on the products.

⚠ WARNING	
	<p>Children have died from furniture tipover. To reduce the risk of furniture tipover:</p> <ul style="list-style-type: none"><li>• ALWAYS install tipover restraint provided.</li><li>• NEVER put a TV on this product.</li><li>• NEVER allow children to stand, climb or hang on drawers, doors, or shelves.</li><li>• NEVER open more than one drawer at a time.</li><li>• Place heaviest items in the lowest drawers.</li><li>• Do not defeat or remove the drawer interlock system.</li></ul> <p><i>This is a permanent label. Do not remove!</i></p>
	

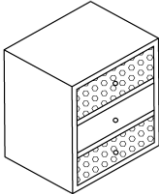
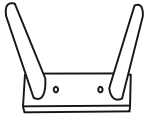
# Assembly Instructions

**Caution : You must read this before you proceed**


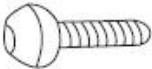


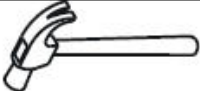






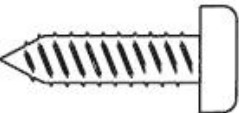
## BEDSIDE



### Parts List

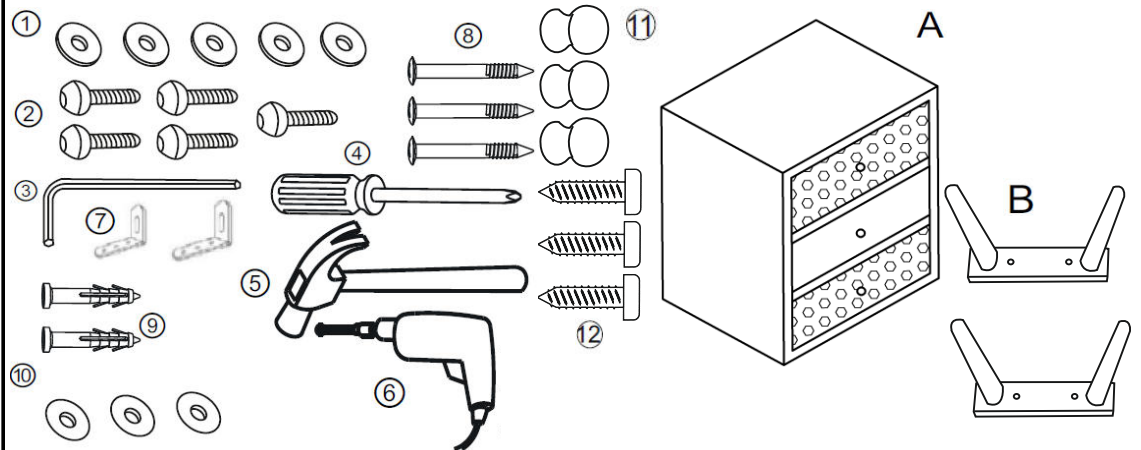
Label	Picture	Description	QTY
A		BEDSIDE TOP	1
B		LEG	2

# Hardware

Label	Picture	Description	QTY
①		Washer (20mmx20mm)	5
②		Bolt (M15mmx35mm)	5
③		Allen Wrench	1
④		Screwdriver (Not Provided)	1
⑤		Hammer (Not Provided)	1
⑥		Power Drill (Not Provided)	1
⑦		Metal Bracket	2
⑧		Wall Plug Screw (M3x30mm)	3
⑨		Wall Plug (30mmx5mm)	2
⑩		Washer	3
⑪		Knob	3
⑫		Product Screw (M3X12mm)	3

# Assembly Preparation

**Before Beginning Assembly:**



- Read instructions, cover to cover -



- Have 2 adults on hand for assembly -



- Do not assemble on flooring or carpet -



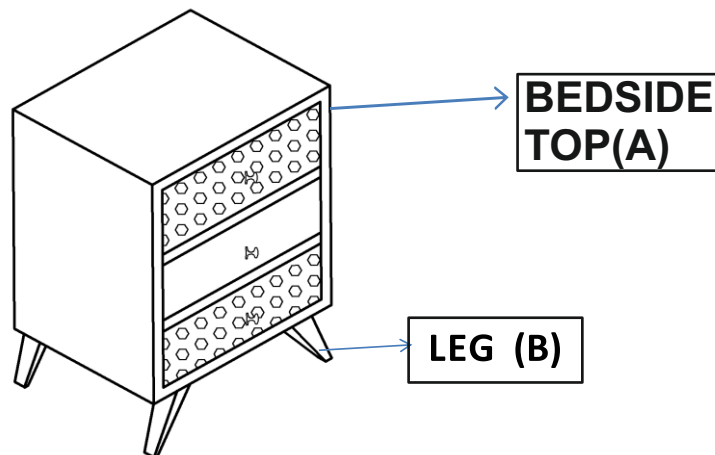
- Assemble on a clean non-marring surface (packing foam) -



- Save all packaging until finished -

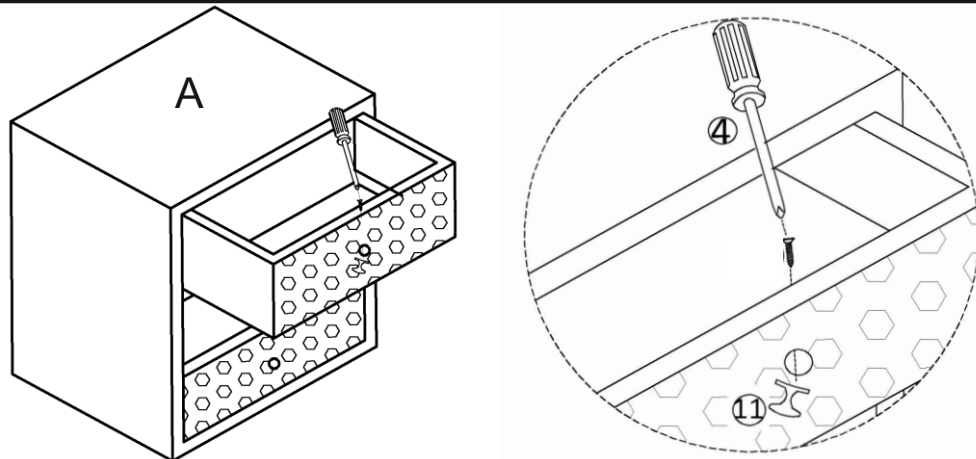
# Assembly Steps

## Overview



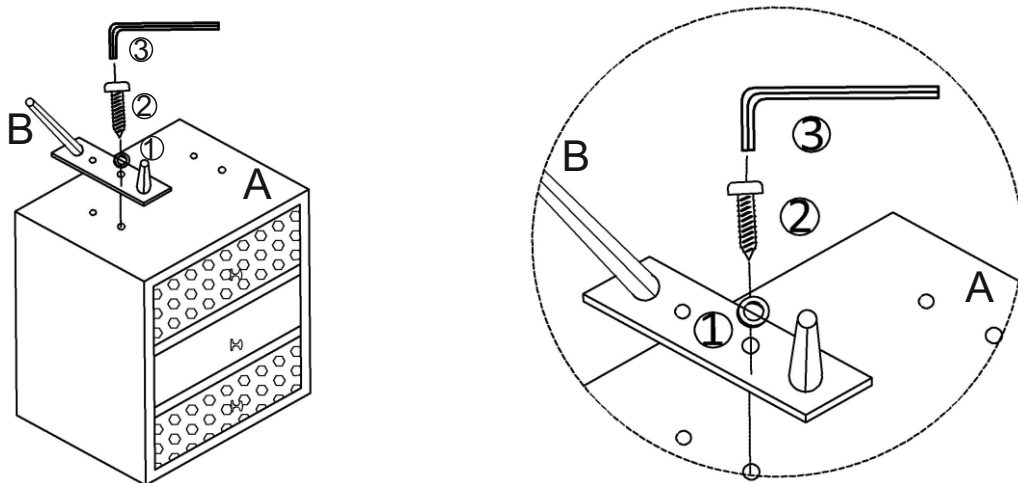
This Bedside has multiple parts and may require up to some 30 minutes assemble. The above picture is to help you in putting various parts in to perspective . Please read through the instruction below to familiarise yourself with the parts and steps before assembly.

### Step 1



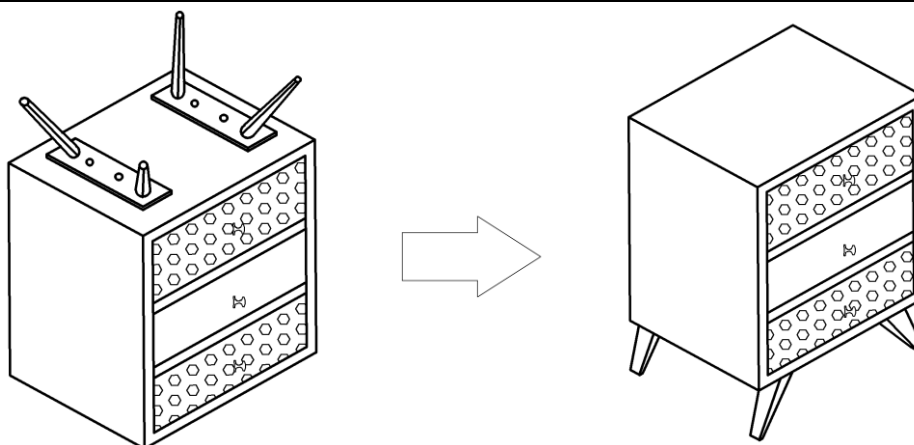
With the help of your adult partner, carefully stood the Bedside (A). Install the Knob (11) on the drawers with the help of Screwdriver (4) as pictured above. Repeat the step for all the drawers.

### Step 2



With assistance from your adult partner, place the Bedside Top (A) face down as picture, on clean, surface. As shown in "Step2" picture attach Leg (B) to Bedside top (A) using Washer (1), Bolt (2) with Allen Wrench (3).

### Step 3



Repeat "Step2" to assemble the other Leg (B) to Bedside top (A). Upon assembly of all the Legs (B), flip the Bedside, as shown in "Step3".

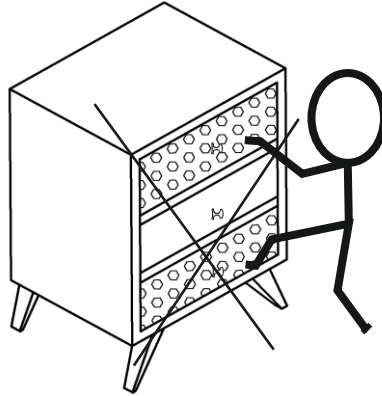
# Tipover Restraint Device Installation Instruction

## WARNING

Serious or fatal crushing injuries can occur from tipping furniture.

To help prevent tip-over : **ALWAYS** secure this furniture to the wall using tipover restraint device.

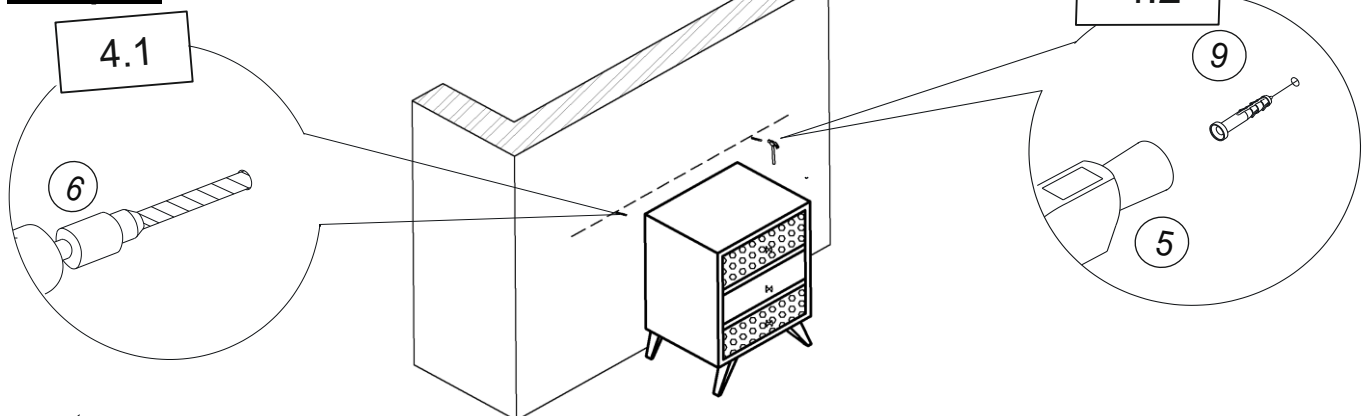
See products instruction for more ways to help prevent furniture tip-over



## Usage For Tipover Restraint Device:

To secure the Bedside against the wall, attach two Brackets (7) on the wall and the product.

### Step 4



4.1) Drill two holes on wall at same height as Metal Bracket (7) on Bedside (A) with Power Drill (6).

**You can mark these points in the ways as below:**

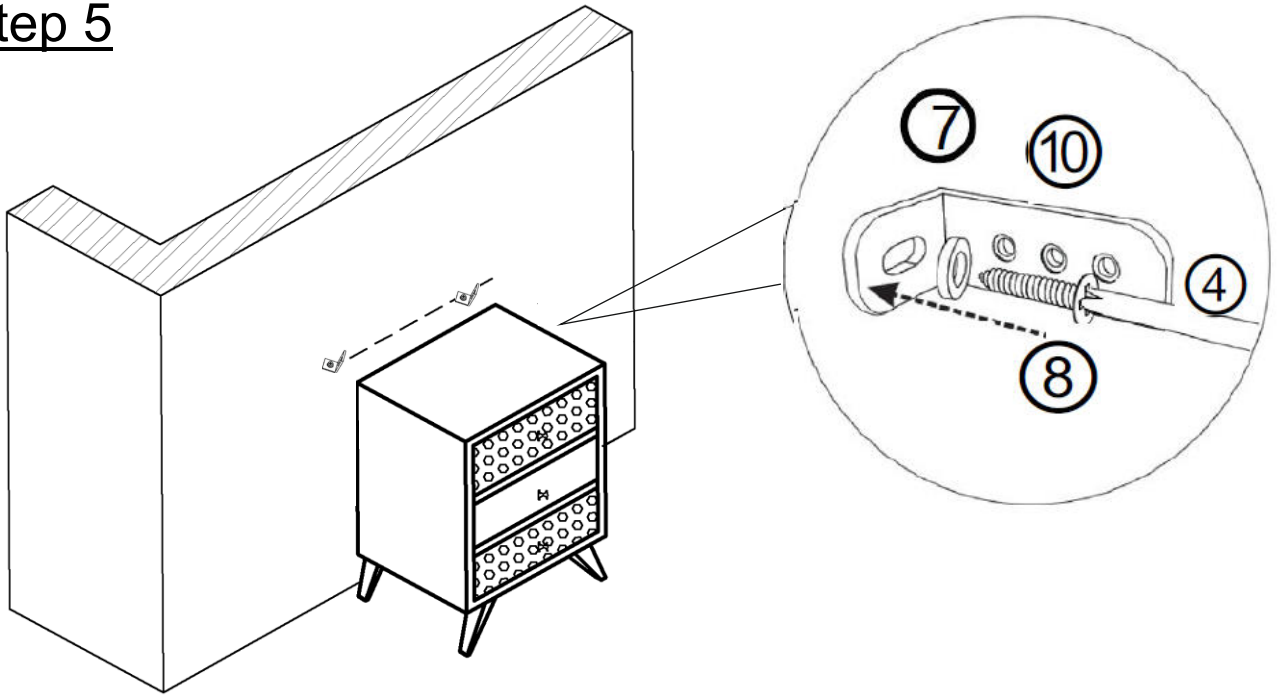
1) Move the Bedside back to the wall. Mark two point same width as Bedside on the wall.

**Note : The brackets need to be secured to solid ,load bearing surface . Please use a stud finder (not supplied) if needed to locate the wall frame.**

2) Measure the height of the Brackets (7) with ruler/measuring tape and mark on wall to keep them accurate and same height and width of the Bedside.

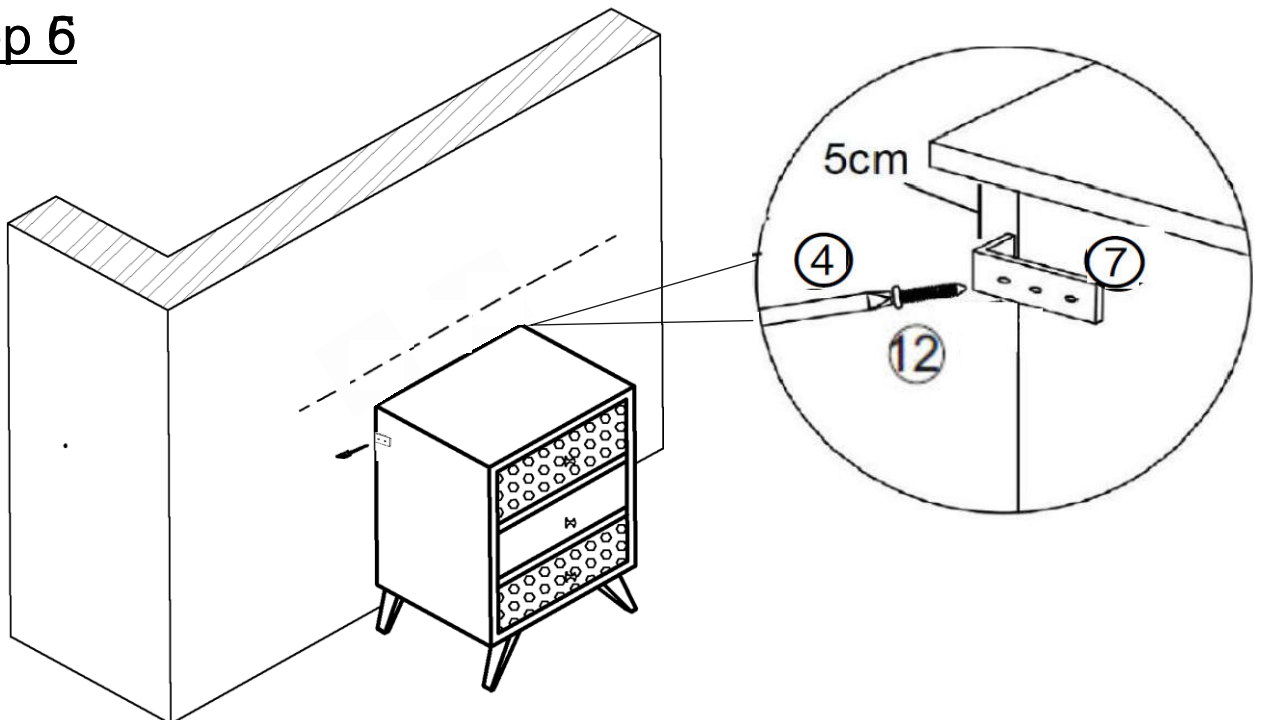
4.2) Insert Wall Plugs (9) into drilled holes on wall with Hammer (5).

## Step 5



Attach Brackets (7) to Wall Plugs (9) using Wall Plug Screws (8) and washer (10) with Screwdriver (4).

## Step 6














Move Bedside to the wall, customer can use one of 3 holes for assembly same as other side.

Connect the Metal Bracket (7) to Bedside with help of Product Screw (12) and Screwdriver (4) same as other side.

This Bedside is now ready to use.

## Care And Maintenance

- ✓  Furniture may scratch floors. We recommend using furniture pads to protect your floors.
  - ⊗  Do not put hot items directly on furniture surface.
  - ⊗  Do not clean furniture with harsh cleansers or polish.
  - ⊗  Do not place furniture under direct sunlight.
  - ⊗  Do not place furniture near heating or cooling vents.
  - ⊗  Do not write on furniture without a padded barrier to protect the surface.
  - ⊗  Do not place furniture outside . For indoor use only.
  - ⊗  Not for commercial use . For residential use only.
  - ⊗  Stains may be removed with mild soap solution and damp cloth.
  - ⊗  Children should not climb or jump on the furniture.
- ✓  Dust and pick-up spills using a clean, non-colored lint-free cloth.