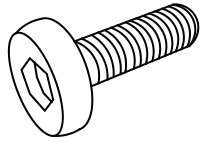


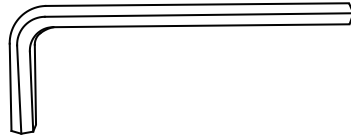
ASSEMBLY INSTRUCTIONS

A



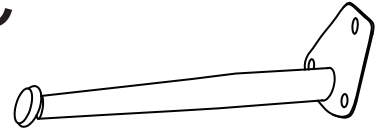
M6*20mm X12

B



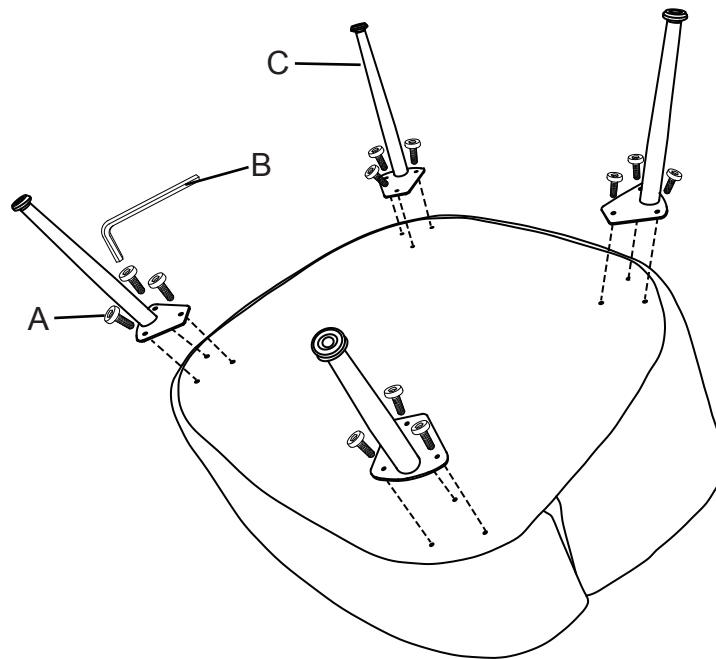
M6 X1

C



X4

STEP 1



STEP 2

