

ASSEMBLY INSTRUCTION

We believe you will absolutely love your new furniture. Please immediately examine this product carefully. Any request for missing part or damage replacement must be received within 90 days of your receipt of the product.

The item must be returned in good condition, in original box, with all original proof of purchase, parts and accessories, within the time frame specified by the retailer it was purchased from.

90-Day Limited Warranty Statement for Manufacturing Defects

Please read this Limited Warranty carefully. To maintain your Warranty, you will need to comply with the conditions stated here.

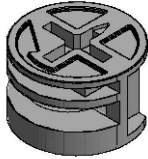
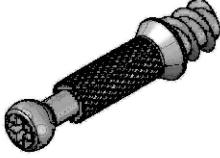
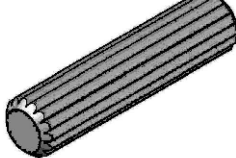
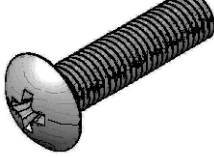
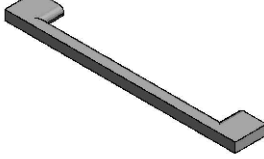
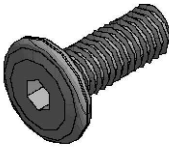
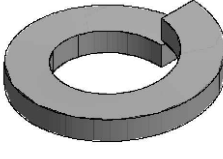
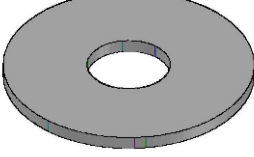
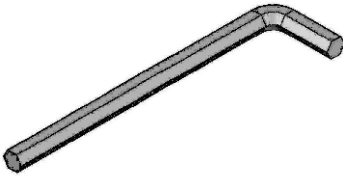
This warranty is for manufacturing defects only and does not cover damages as a result of misuse.

1. Our products sold comply with the description contained in this Warranty. All parts and products are warranted 90-Day from the original date of delivery except: parts and products used for commercial, contract, rental trade, institutional, or any other non-residential purposes; parts and products that have not been maintained in accordance with the care recommendations provided; parts and products damaged resulting from the consumer's improper assembly; or parts and products that are damaged or defective due to normal wear and tear.
2. To exercise rights under this warranty, proper documentation, i.e., photography, purchase order number, manufacturer's bar code label, and or any other pertinent information upon request is required. We reserve the right to repair or replace the product within the warranty period based upon the documentation received as support of a claim for consideration. We will not replace or repair any product if improper maintenance, improper handling, or improper use caused the damage. Any product sold from or modified by a Non-Authorized Dealer, Seller or Consumer will void the Warranty.
3. Cost of packaging and shipping to and from us is not covered by the warranty unless expressly arranged by us. This warranty does not extend to furniture that has been exchanged or replaced by us as settlement of an original claim of defective merchandise. This warranty does not extend to furniture that has been moved from delivery location on original purchase order.

We appreciate your business!

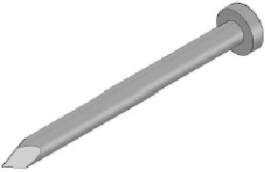
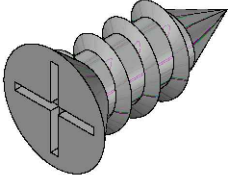
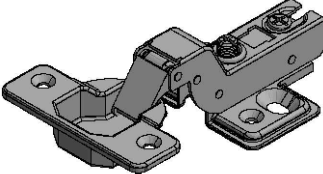
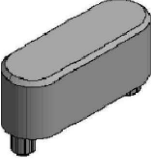
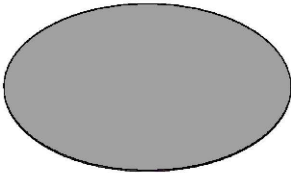
ASSEMBLY INSTRUCTION

HARDWARES LIST

ITEM	DESCRIPTION	DRAWING	QTY
A	MINIFIX CAM LOCK		26 PCS
B	MINIFIX CAM BOLT		26 PCS
C	WOOD DOWEL (M6 x 25MM)		28 PCS
D	TRUSS M-SCREW (16MM)		6 PCS
E	HANDLE		3 PCS
F	JCBC SCREW M6 x 15MM		8 PCS
G	SPRING WASHER M6 x 13MM		8 PCS
H	FLAT WASHER M6 x 19MM		8 PCS
I	M4 ALLEN KEY (65MM)		1 PC

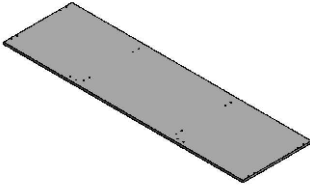
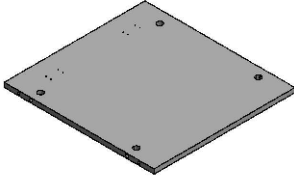
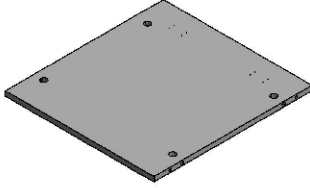
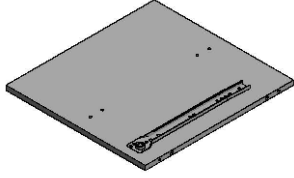
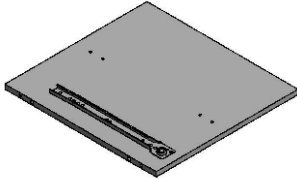
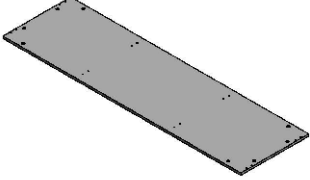
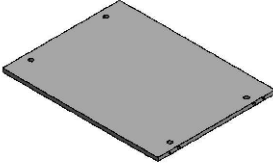
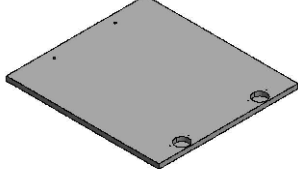
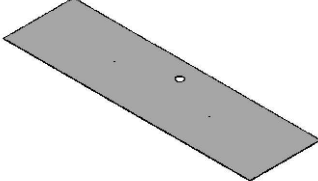
ASSEMBLY INSTRUCTION

HARDWARES LIST

ITEM	DESCRIPTION	DRAWING	QTY
J	6/8" NAIL		22 PCS
K	CSK SCREW M3.5 X 12MM		28 PCS
L	HINGES		4 PCS
M	PLASTIC STOPPER		2 PCS
N	STICKER		24 PCS

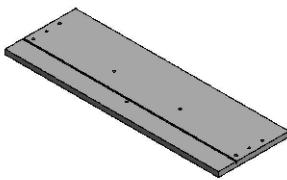
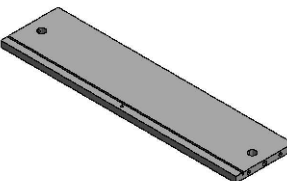
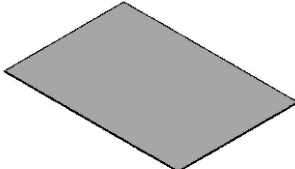
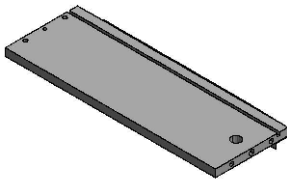
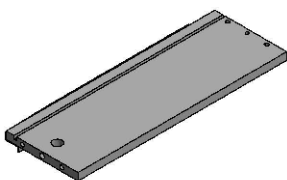
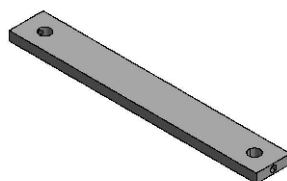
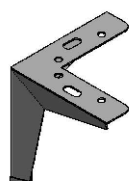
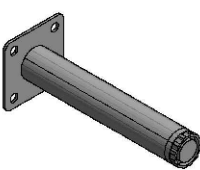
ASSEMBLY INSTRUCTION

PARTS LIST

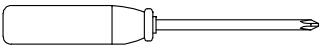
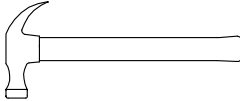
ITEM	DESCRIPTION	DRAWING	QTY
1	TOP PANEL		1 PC
2	LEFT PANEL		1 PC
3	RIGHT PANEL		1 PC
4	CENTRE PANEL LEFT		1 PC
5	CENTRE PANEL RIGHT		1 PC
6	BOTTOM PANEL		1 PC
7	SHELF PANEL		1 PC
8	DOOR		2 PCS
9	BACK PANEL		1 PC

ASSEMBLY INSTRUCTION

PARTS LIST

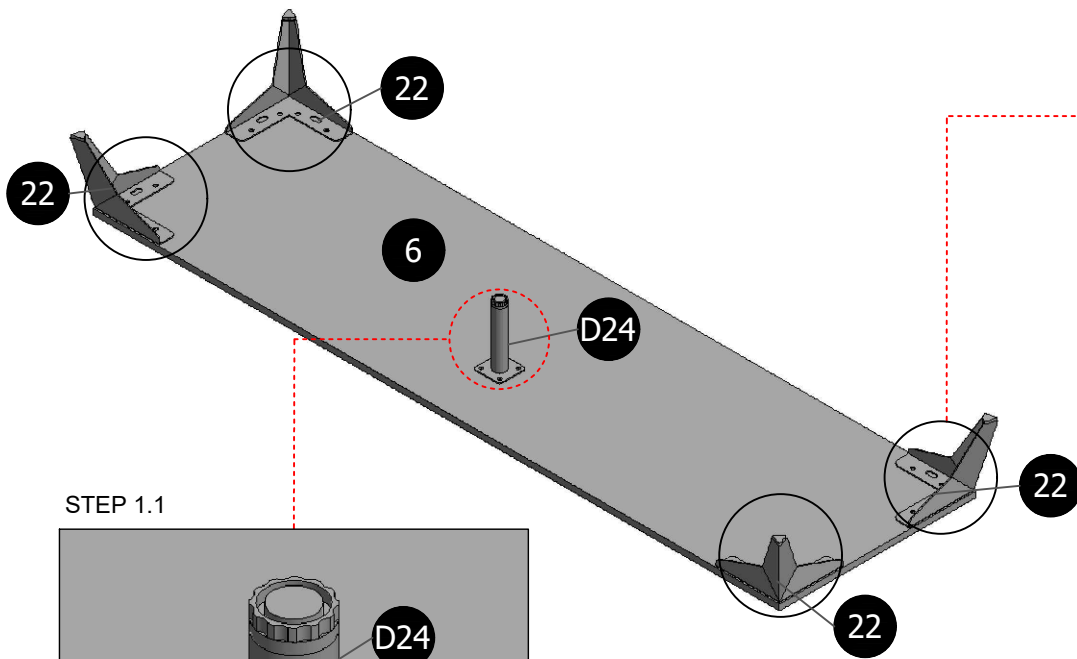
ITEM	DESCRIPTION	DRAWING	QTY
10	DRAWER HEAD		1 PC
11	DRAWER BACK PANEL		1 PC
12	DRAWER BOTTOM PANEL		1 PC
19	DRAWER LEFT PANEL		1 PC
20	DRAWER RIGHT PANEL		1 PC
21	DRAWER BOTTOM SUPPORT RAIL		1 PC
22	METAL LEG		4 PCS
D24	CENTER LEG		1 PC

*Note: All parts needed are shown in above picture.
Numbers only indicate the specific parts for easy assembly.

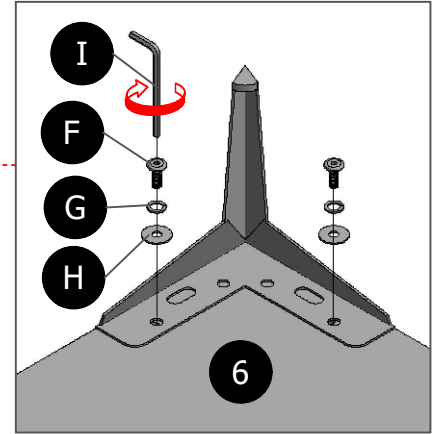
ASSEMBLY TOOLS REQUIRED	
1. Screwdriver (not provide)	2. Hammer (not provide)
	

ASSEMBLY INSTRUCTION

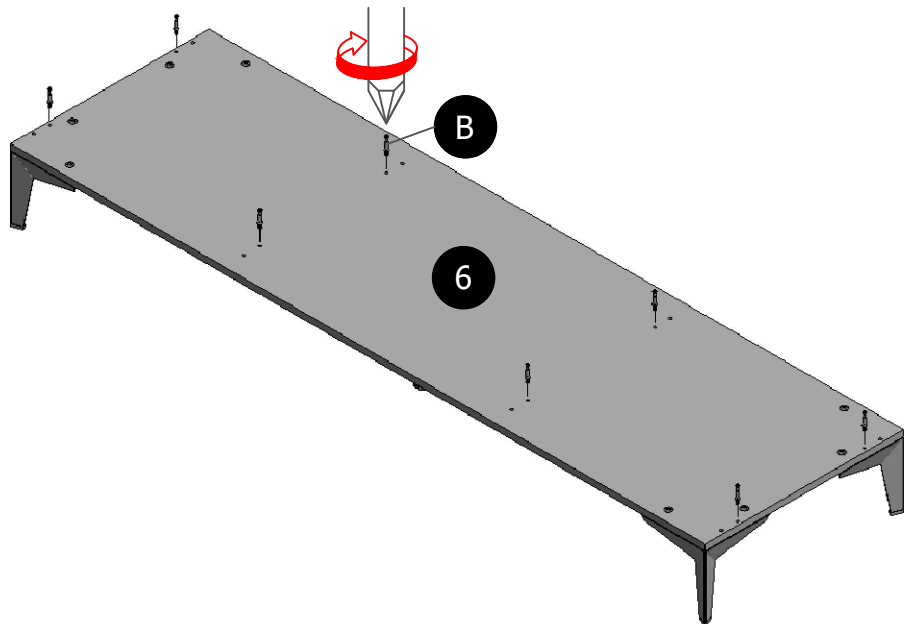
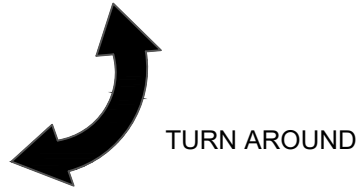
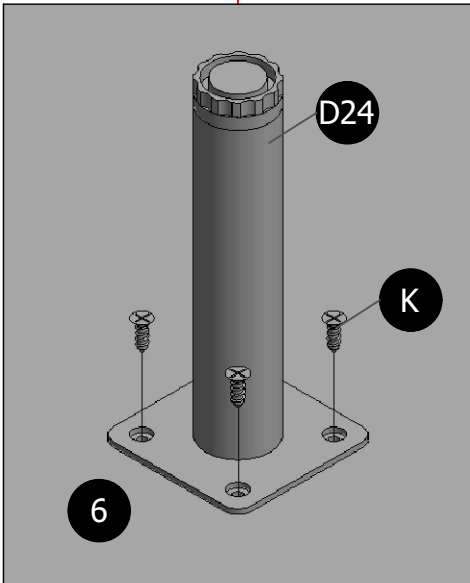
STEP 1



STEP 1.2

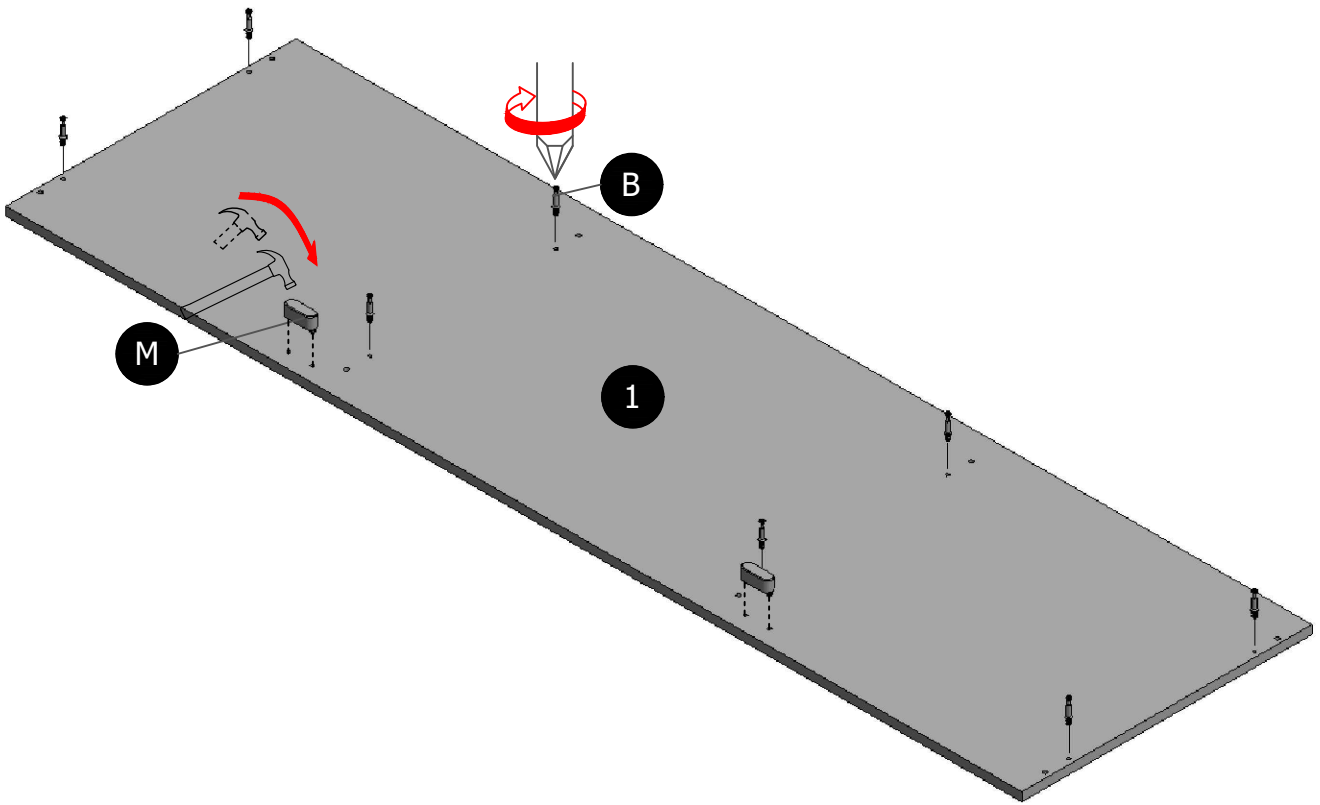


STEP 1.1



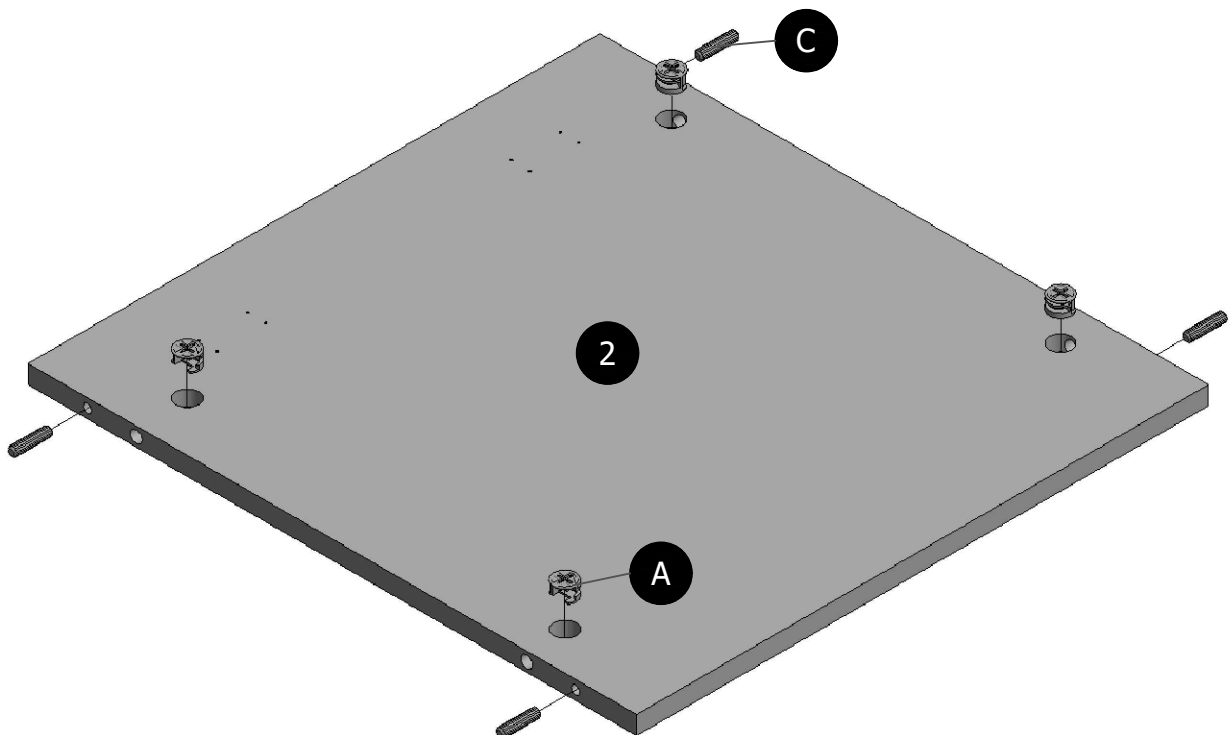
ASSEMBLY INSTRUCTION

STEP 2



STEP 3

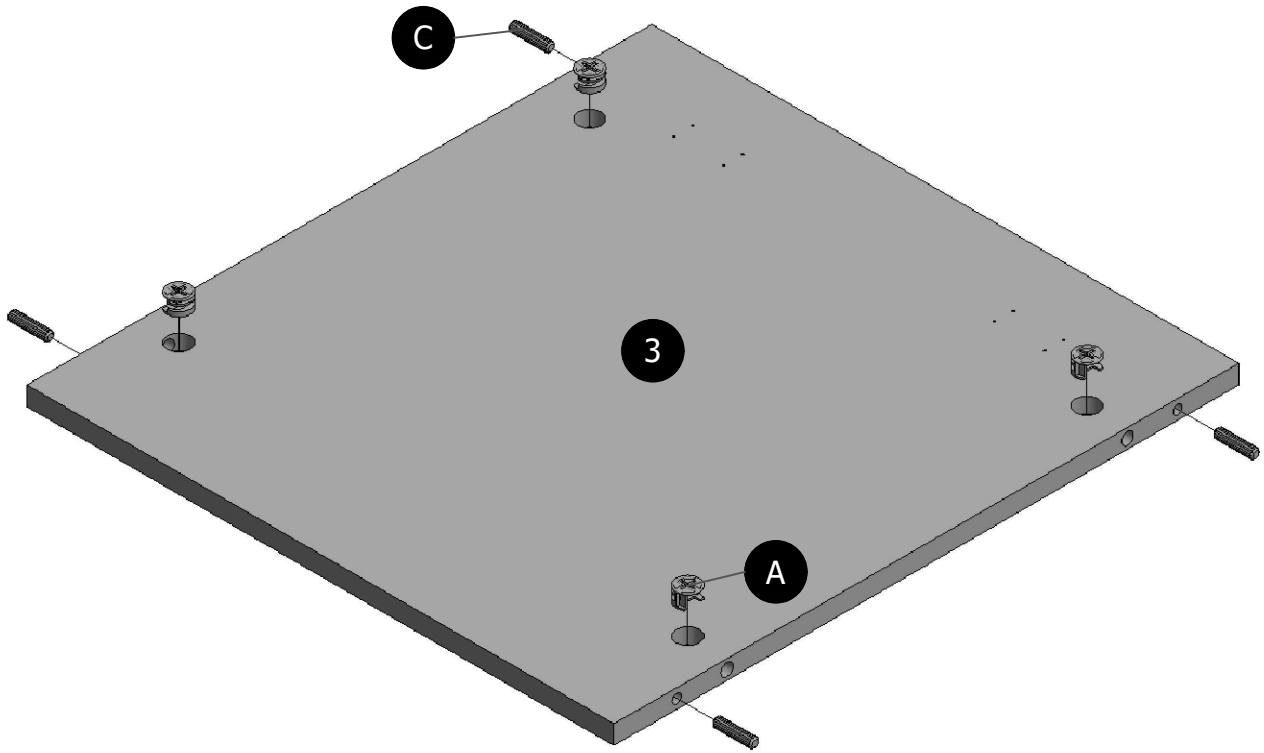
NOTE : - Make sure arrows on each (A) point towards nearest edge with hole.



ASSEMBLY INSTRUCTION

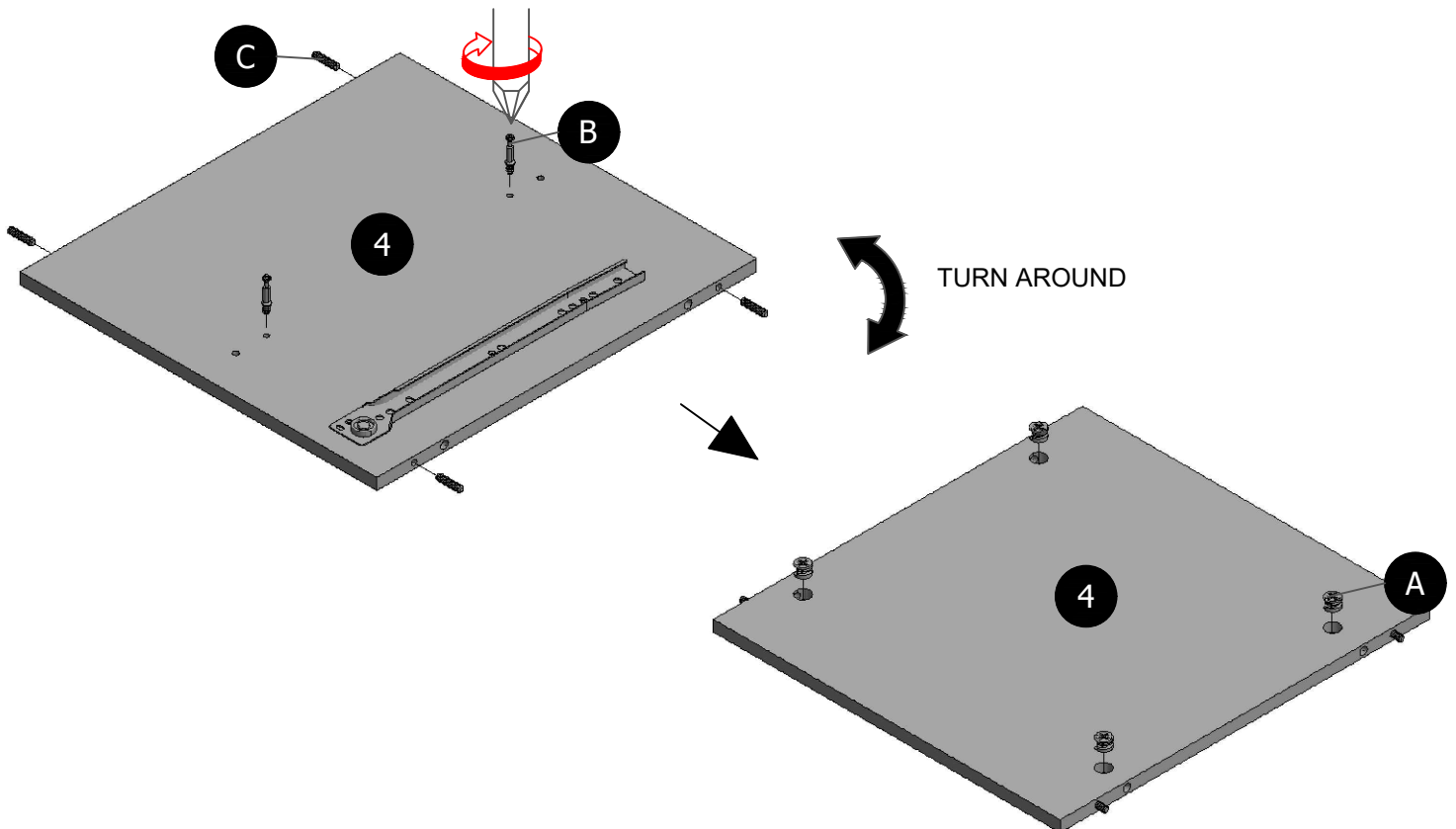
STEP 4

NOTE : - Make sure arrows on each (A) point towards nearest edge with hole.



STEP 5

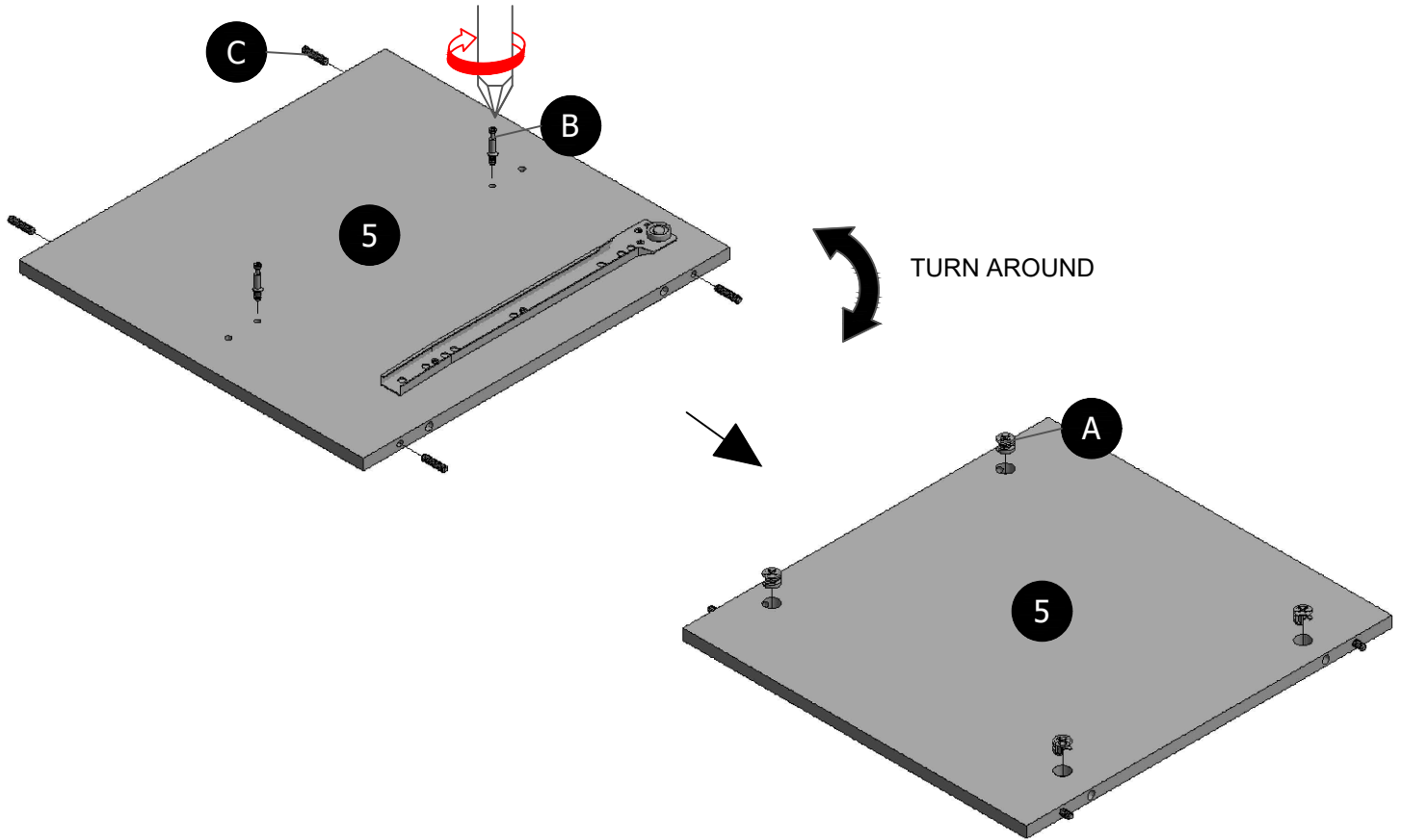
NOTE : - Make sure arrows on each (A) point towards nearest edge with hole.



ASSEMBLY INSTRUCTION

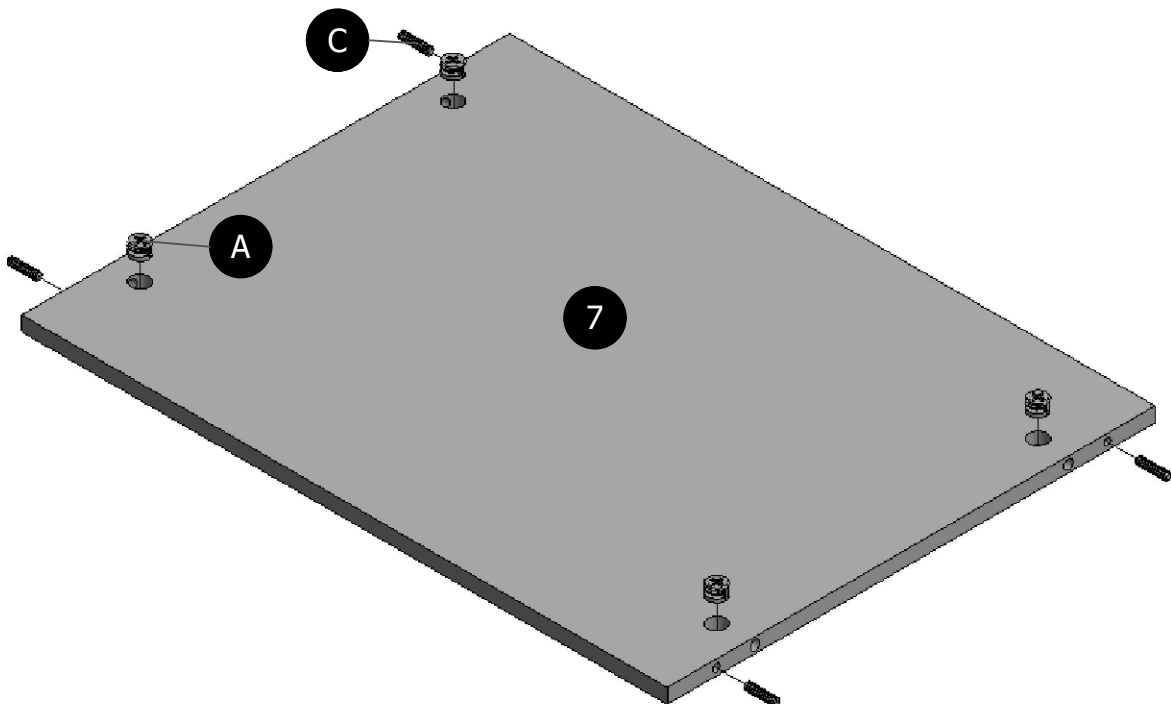
STEP 6

NOTE : - Make sure arrows on each (A) point towards nearest edge with hole.



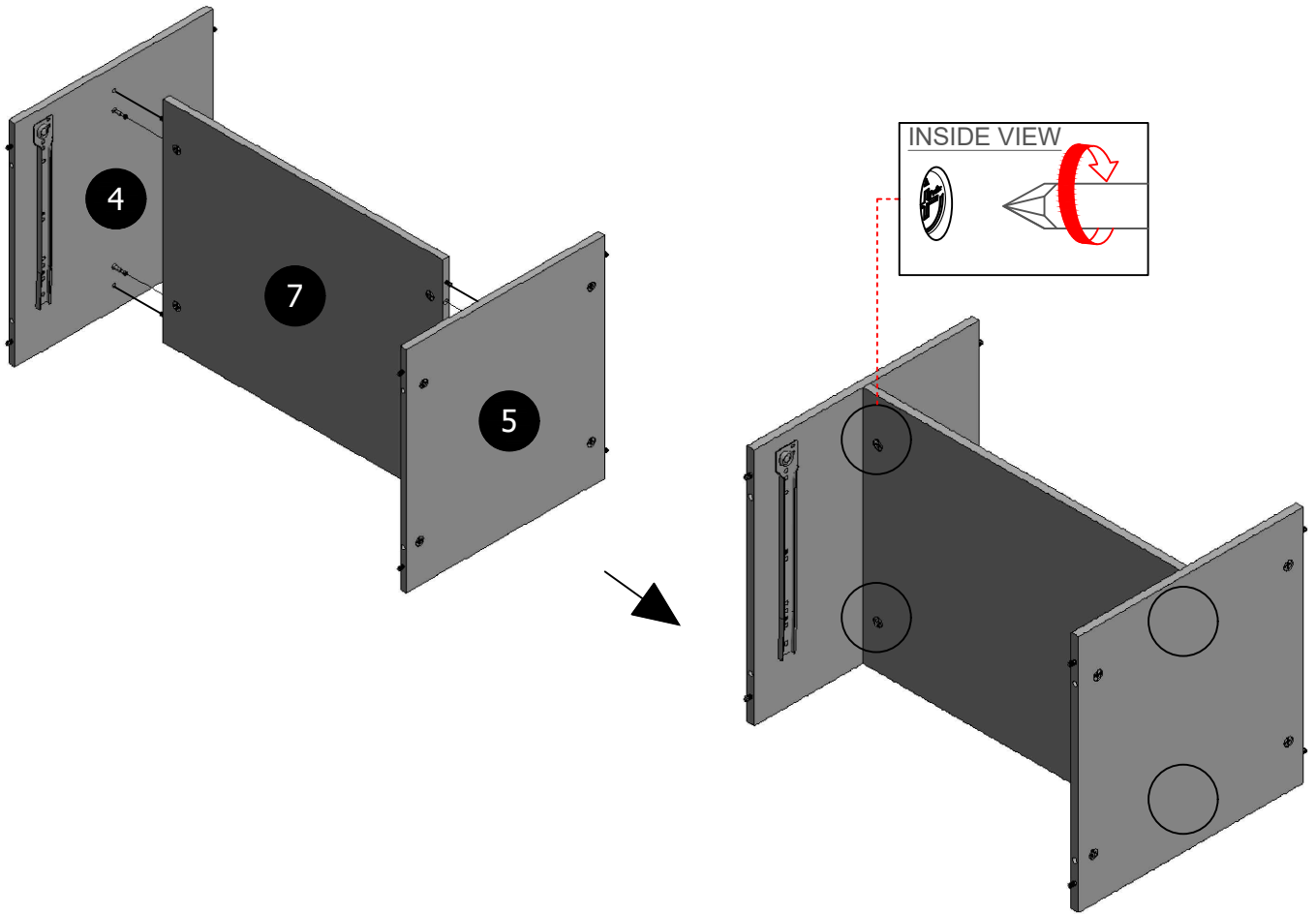
STEP 7

NOTE : - Make sure arrows on each (A) point towards nearest edge with hole.

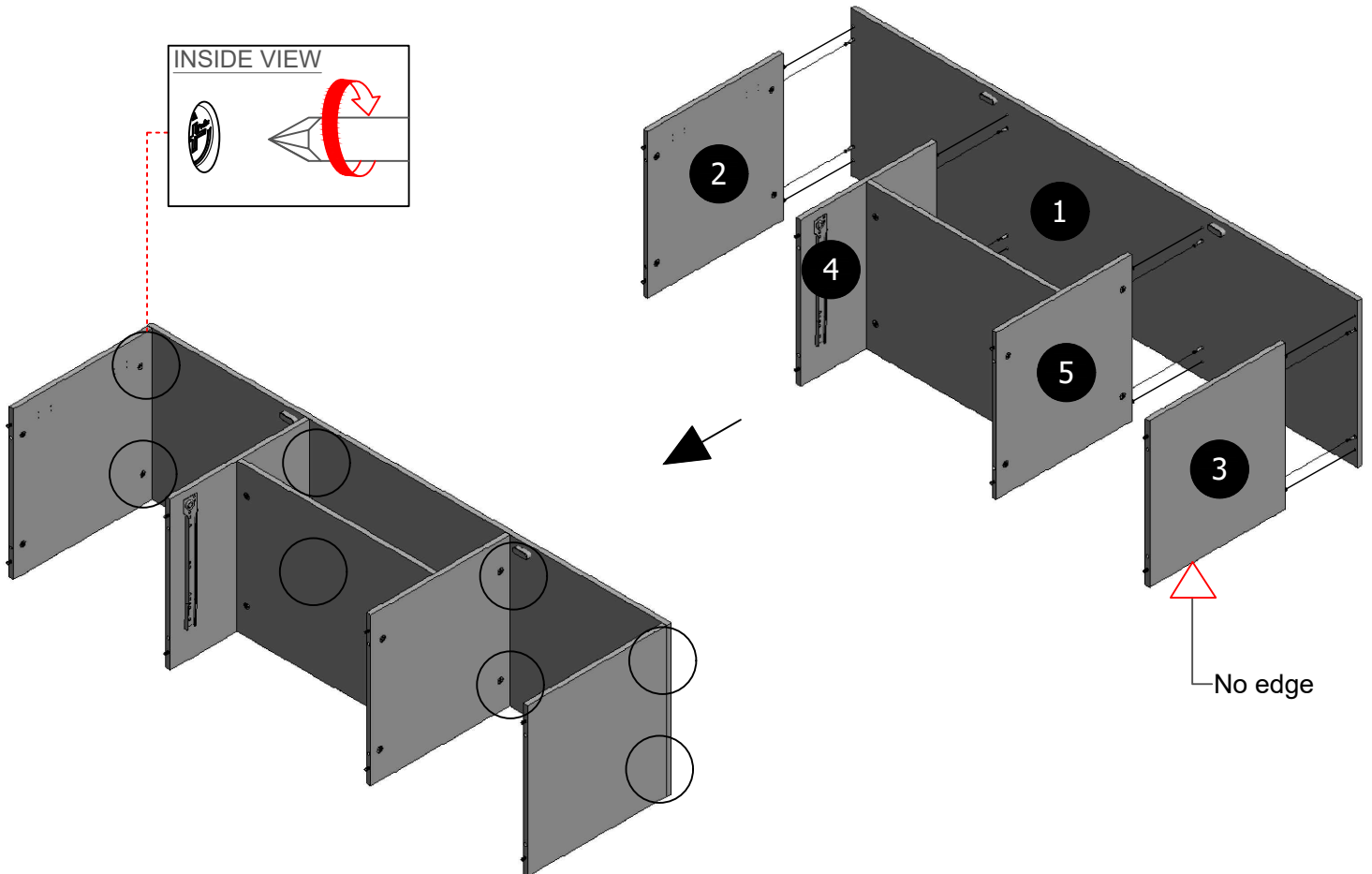


ASSEMBLY INSTRUCTION

STEP 8

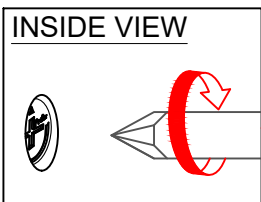
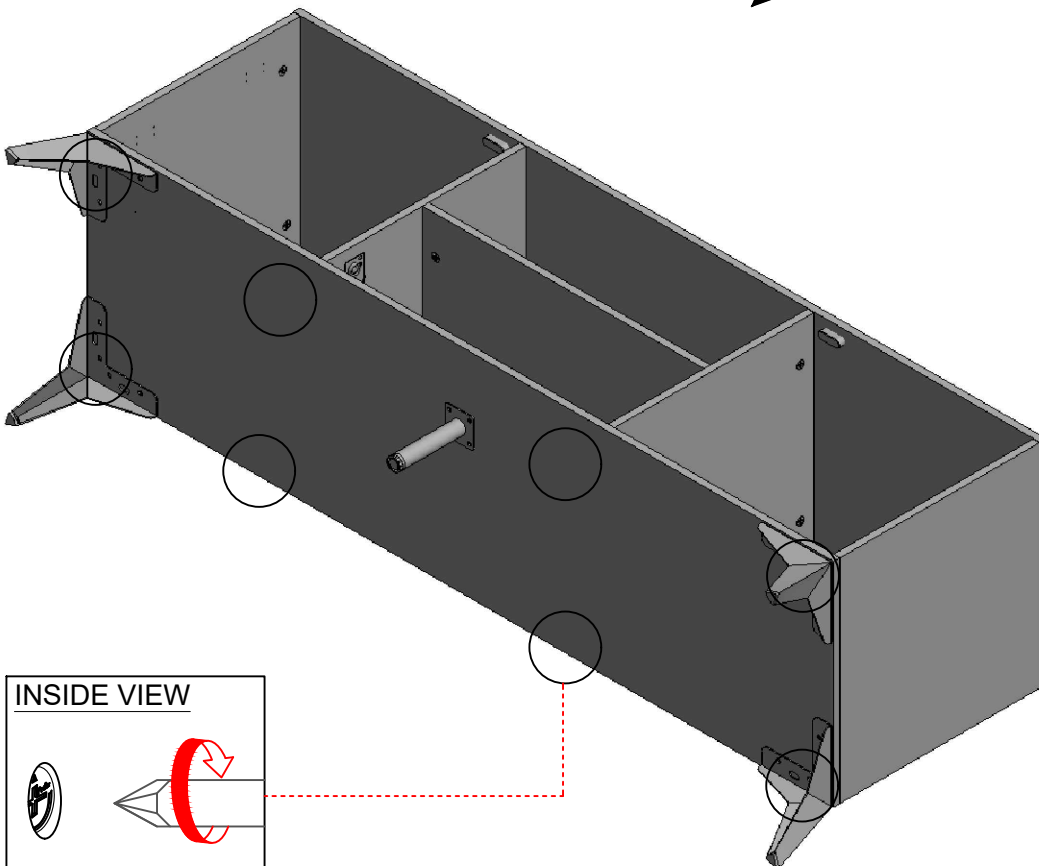
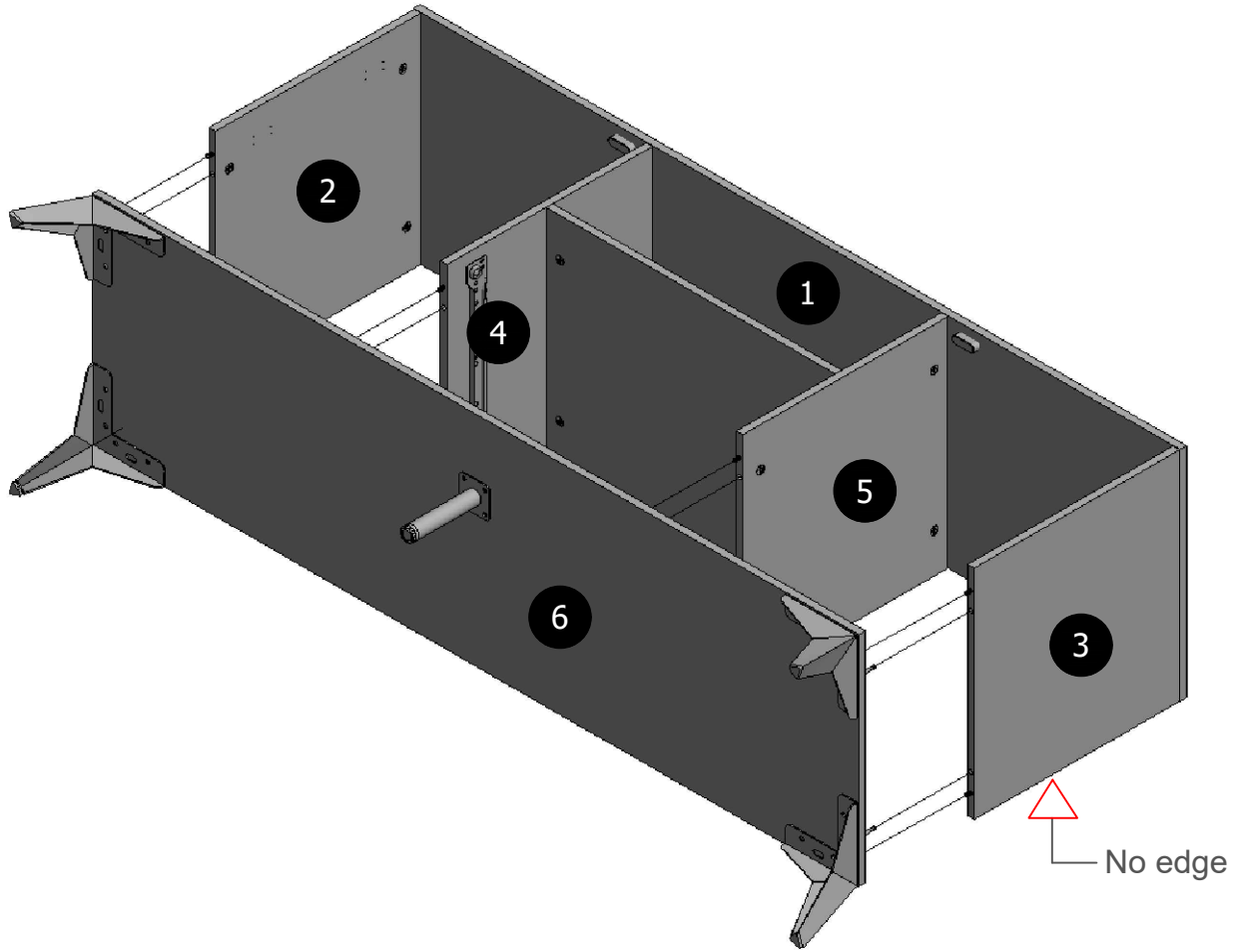


STEP 9



ASSEMBLY INSTRUCTION

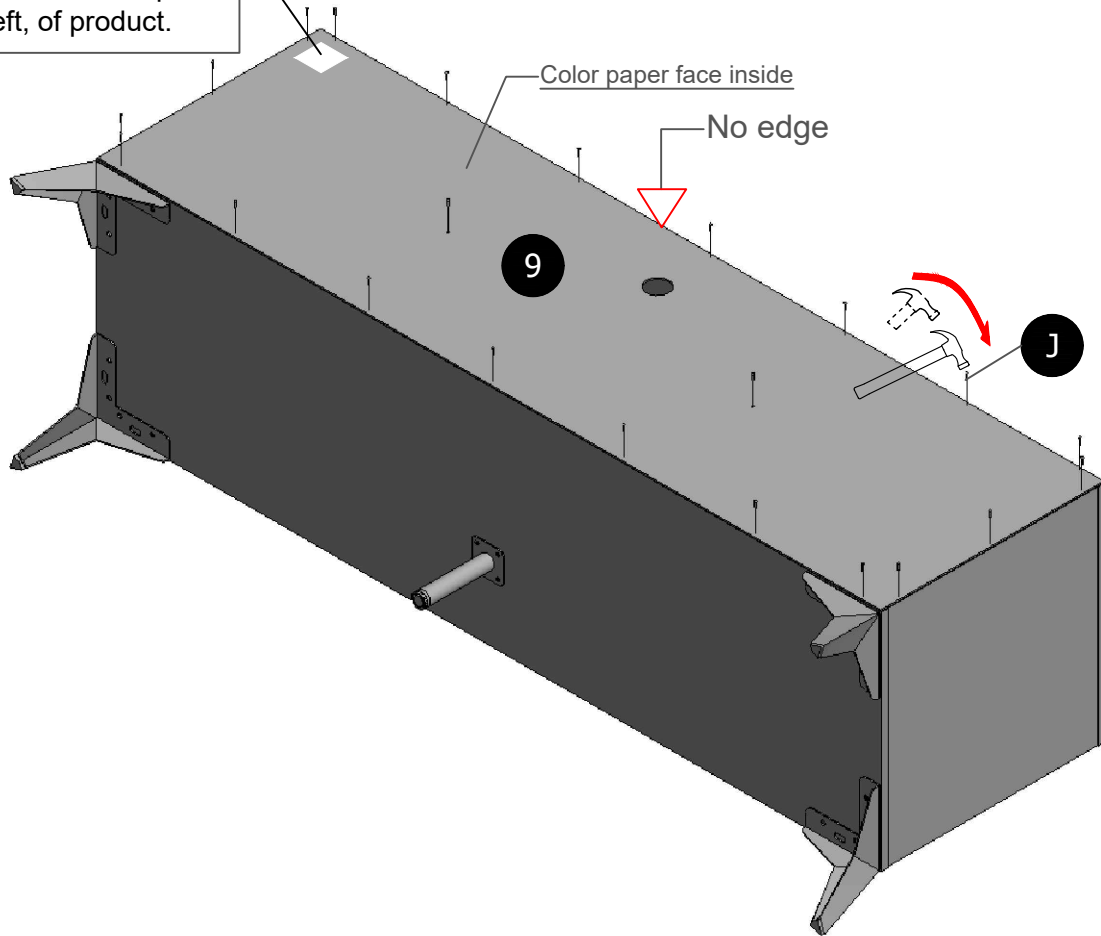
STEP 10



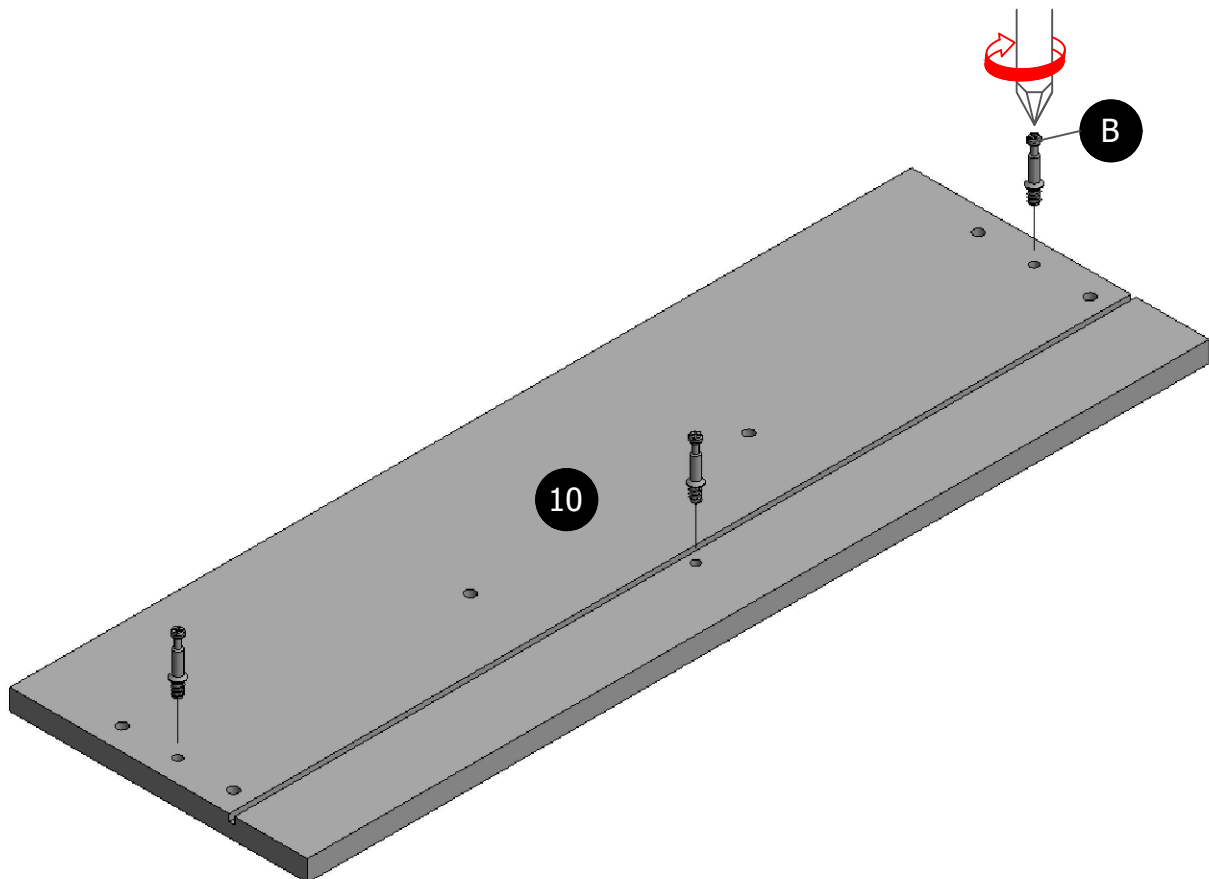
ASSEMBLY INSTRUCTION

STEP 11

Corner with sticker must be on top left, of product.



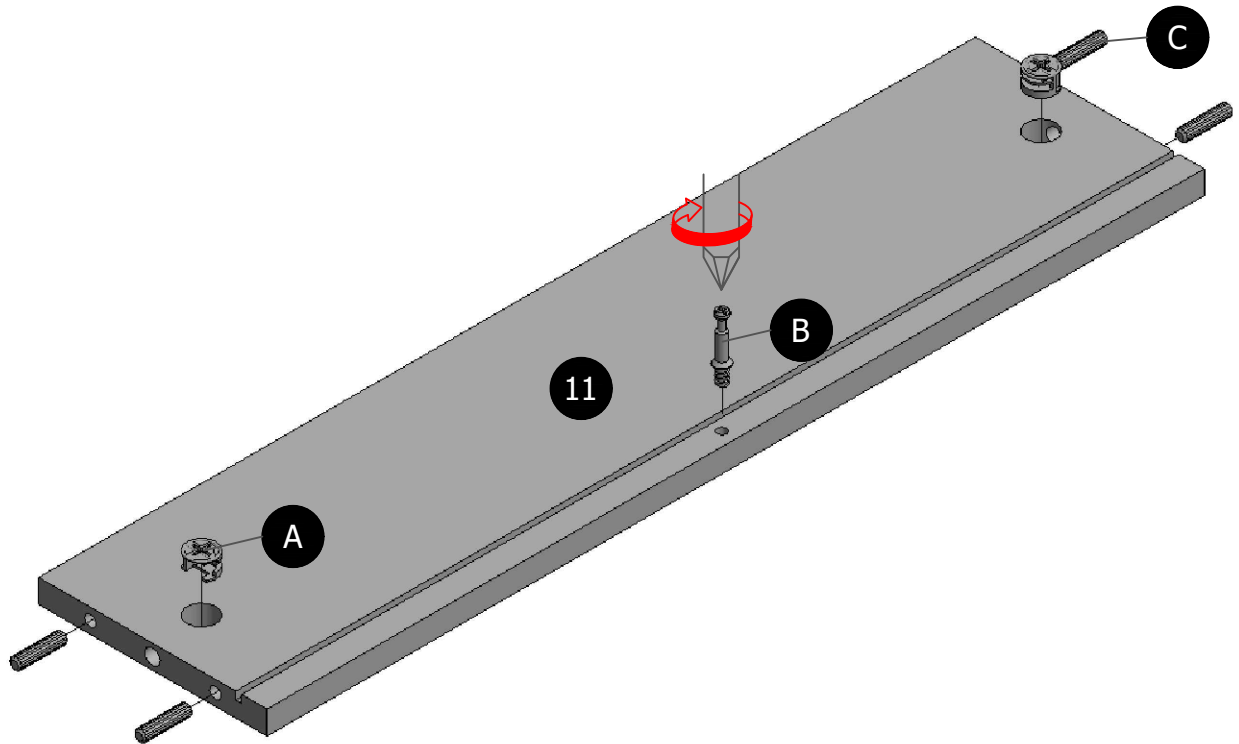
STEP 12



ASSEMBLY INSTRUCTION

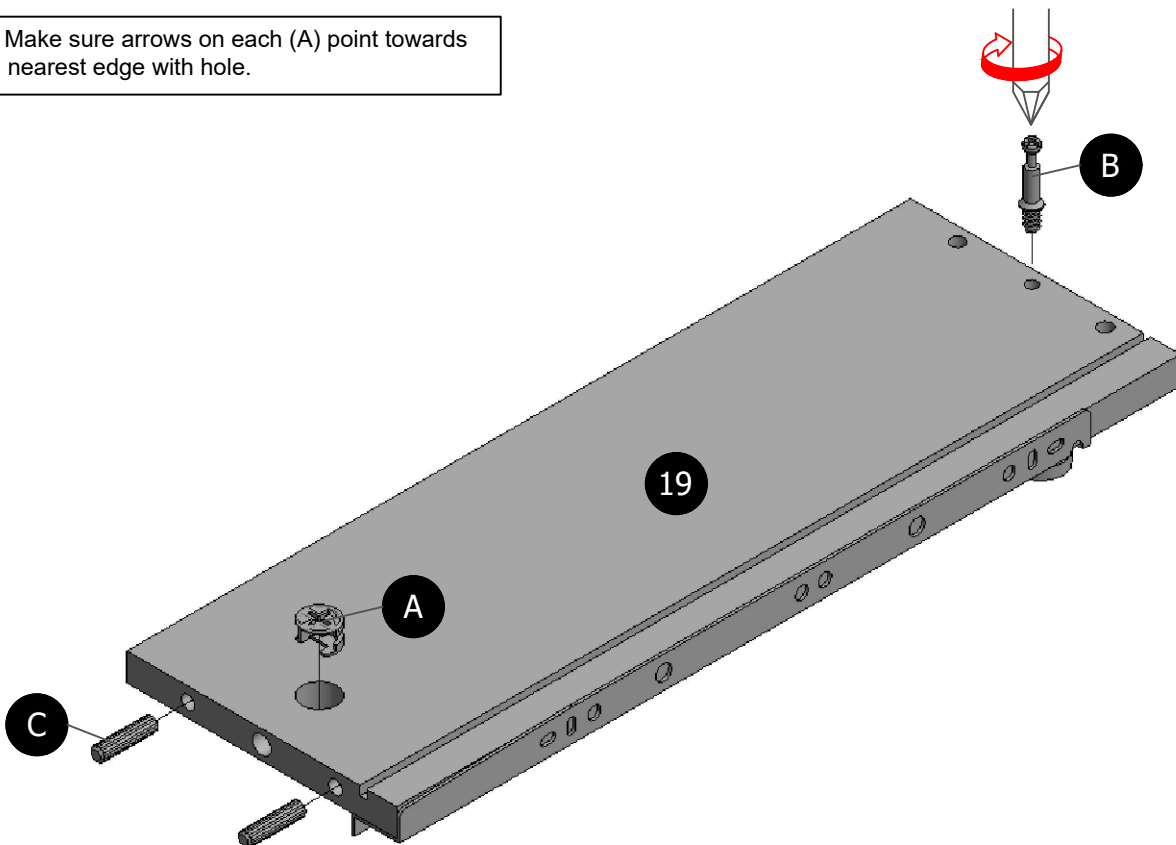
STEP 13

NOTE : - Make sure arrows on each (A) point towards nearest edge with hole.



STEP 14

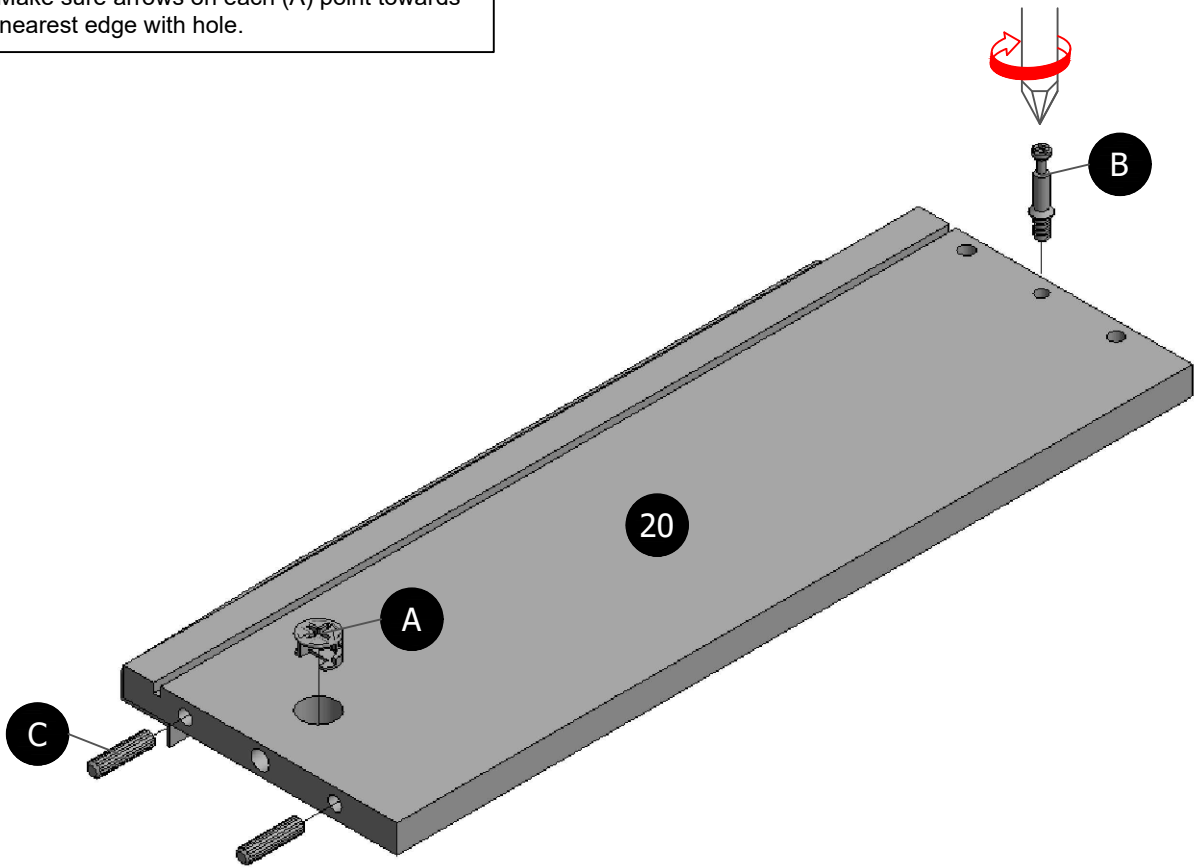
NOTE : - Make sure arrows on each (A) point towards nearest edge with hole.



ASSEMBLY INSTRUCTION

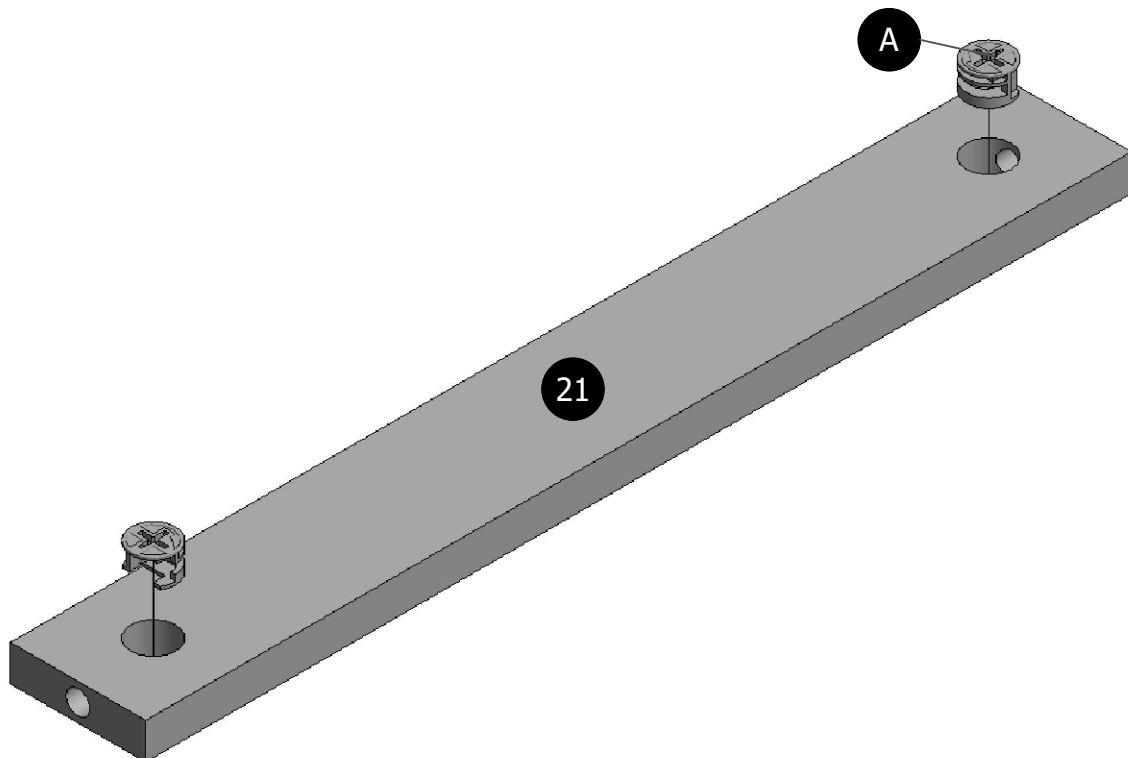
STEP 15

NOTE : - Make sure arrows on each (A) point towards nearest edge with hole.



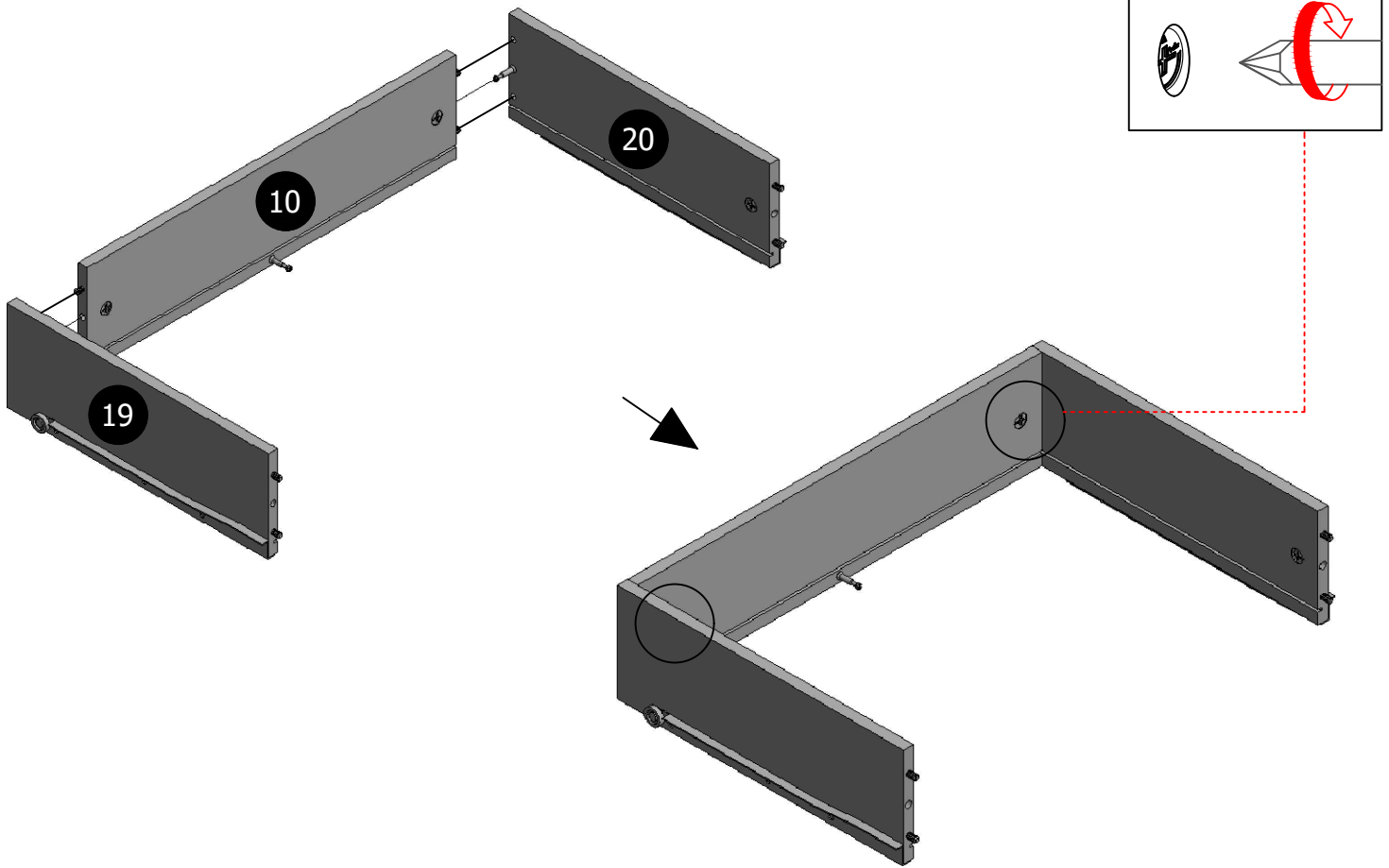
STEP 16

NOTE : - Make sure arrows on each (A) point towards nearest edge with hole.

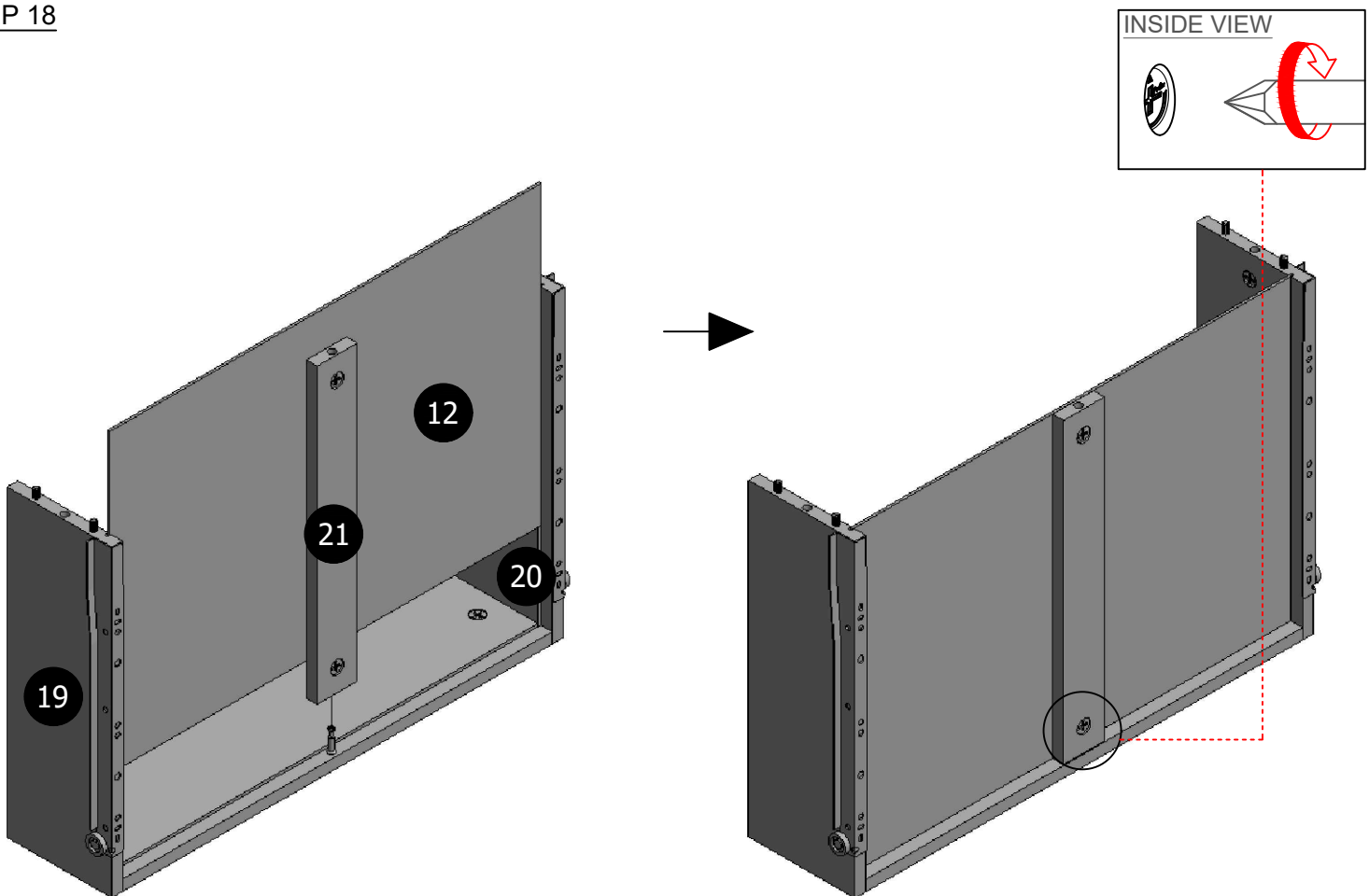


ASSEMBLY INSTRUCTION

STEP 17

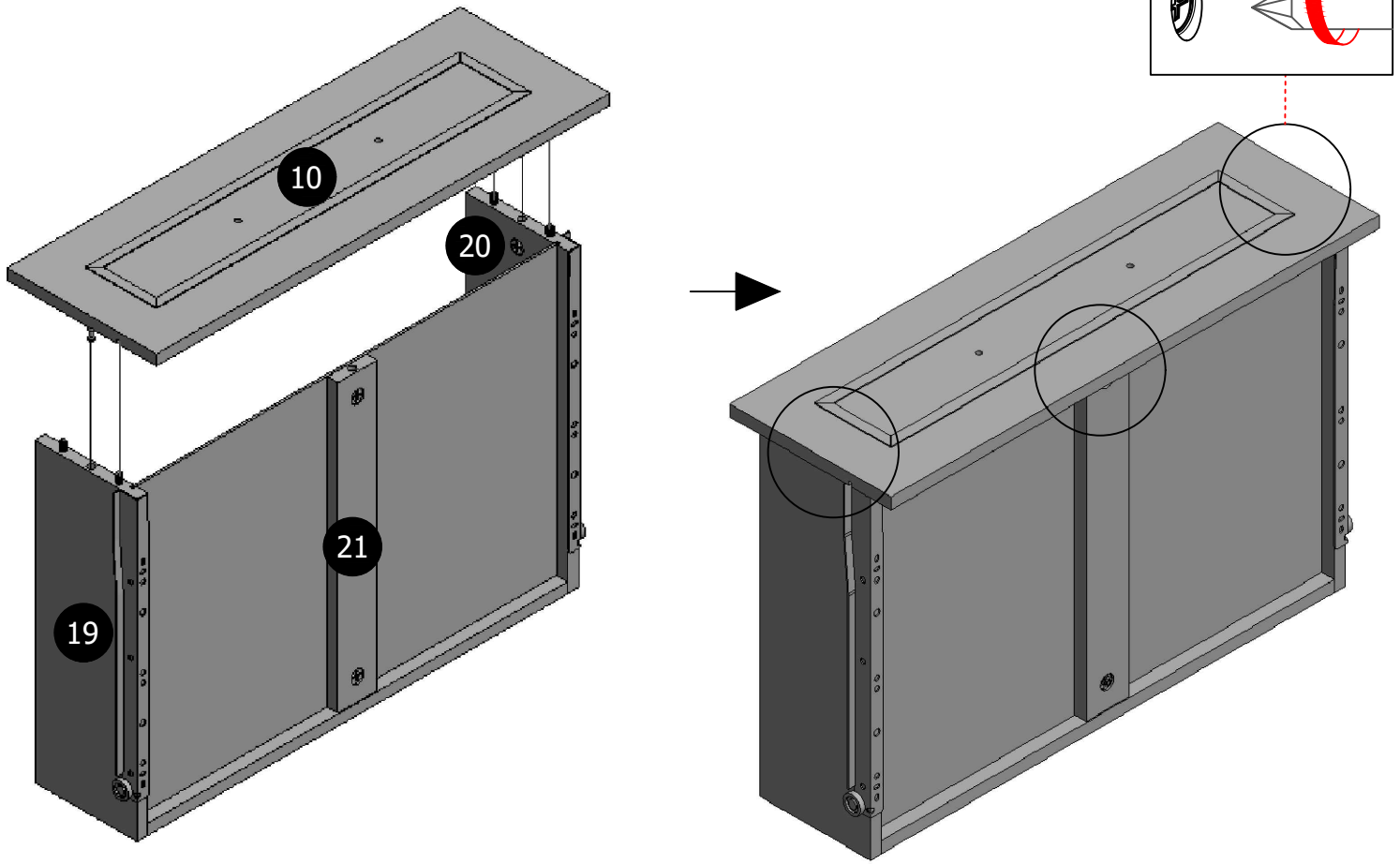


STEP 18

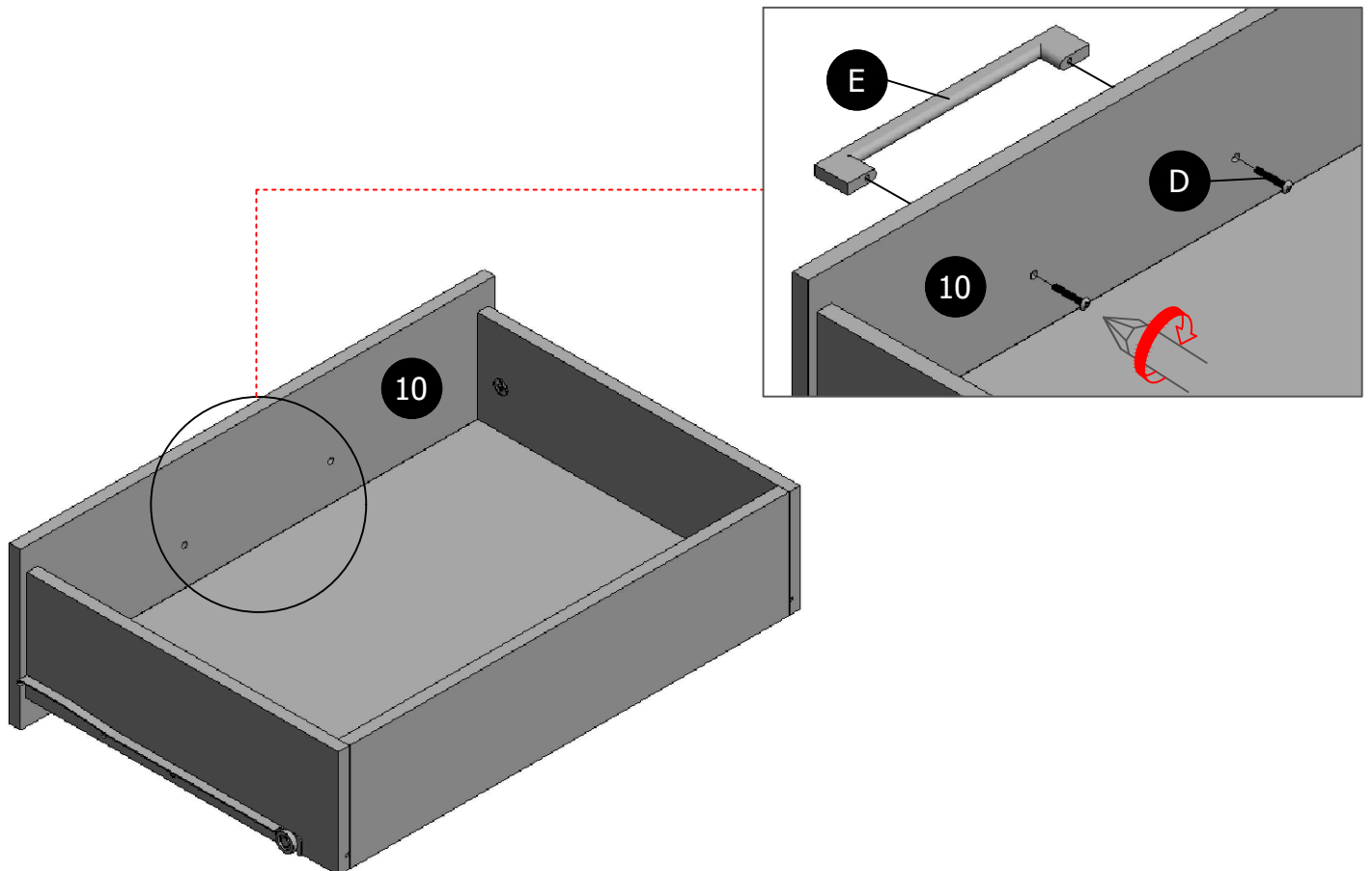


ASSEMBLY INSTRUCTION

STEP 19



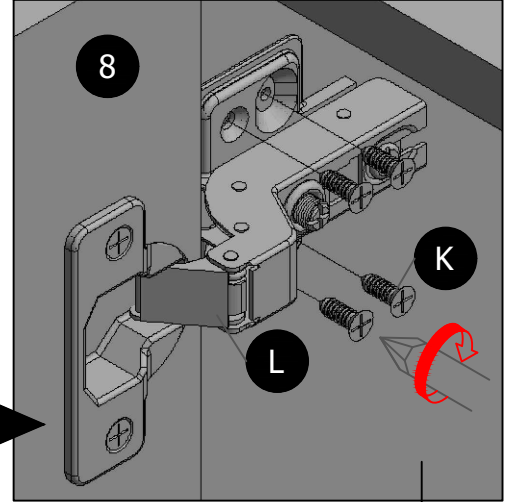
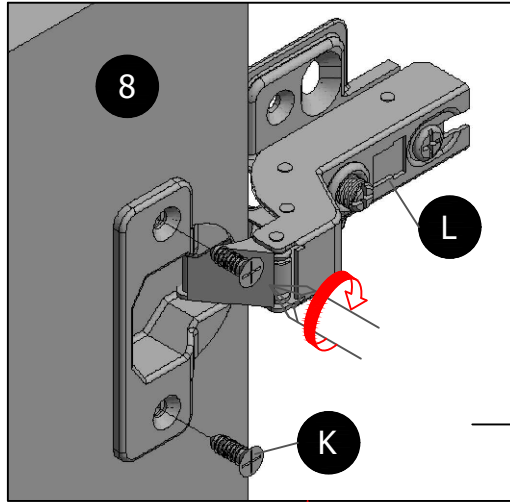
STEP 20



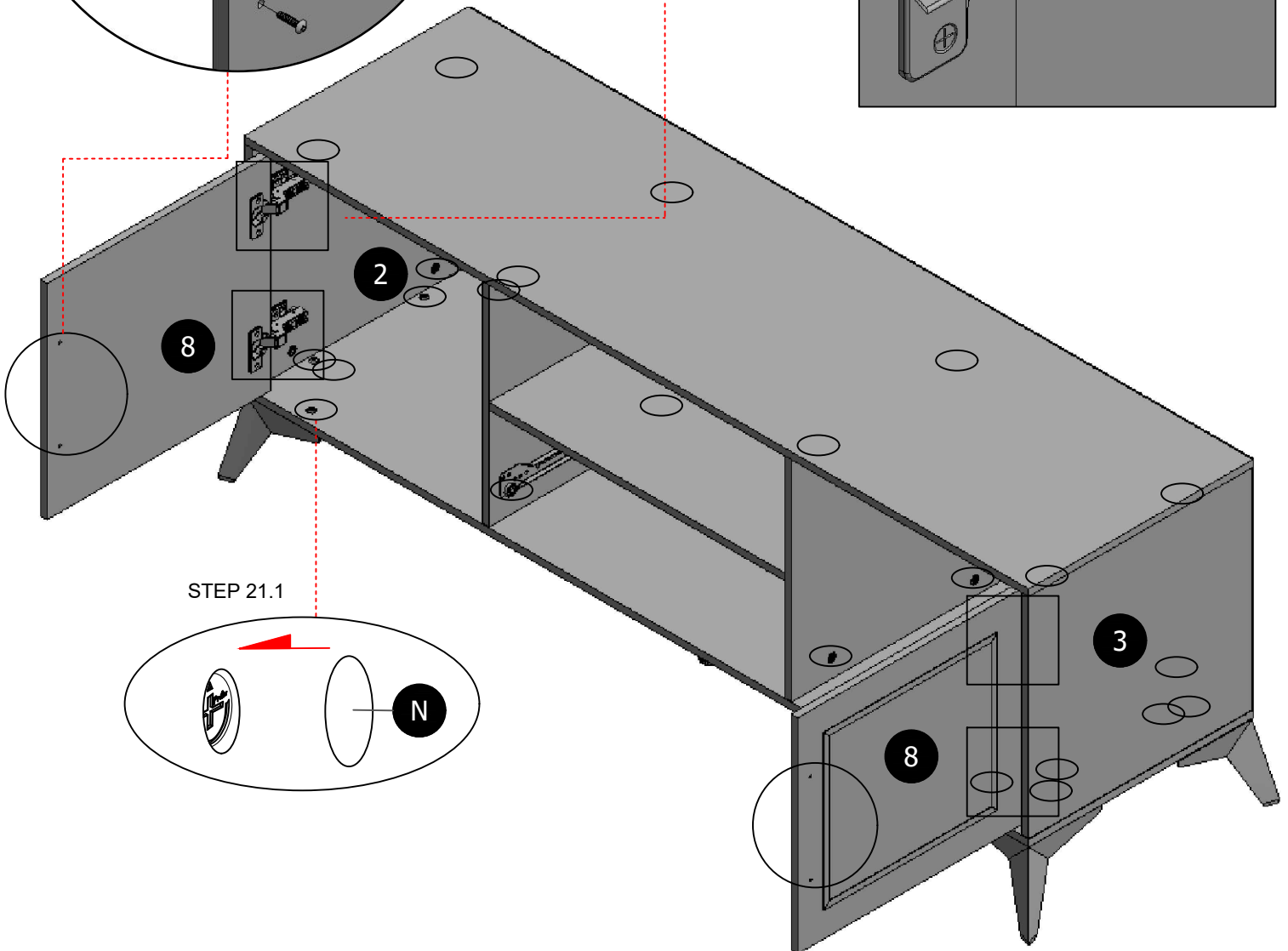
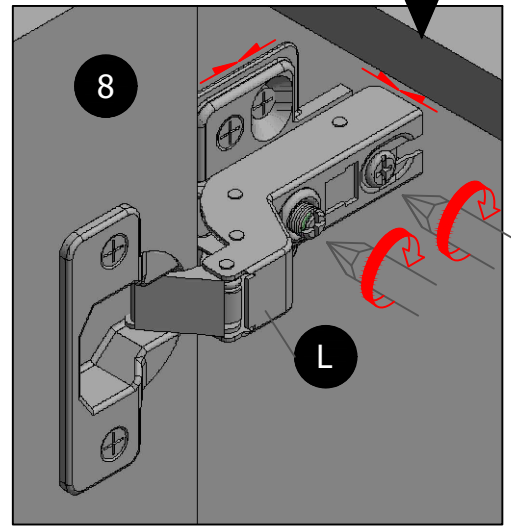
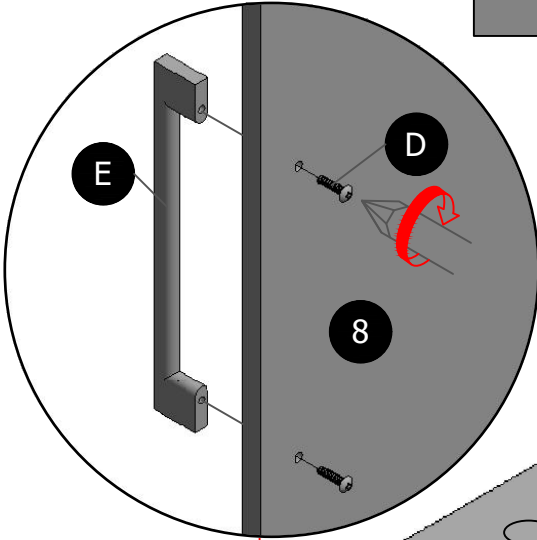
ASSEMBLY INSTRUCTION

STEP 21

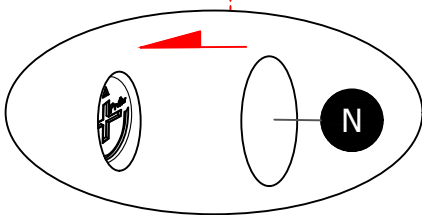
STEP 21.2



STEP 21.3

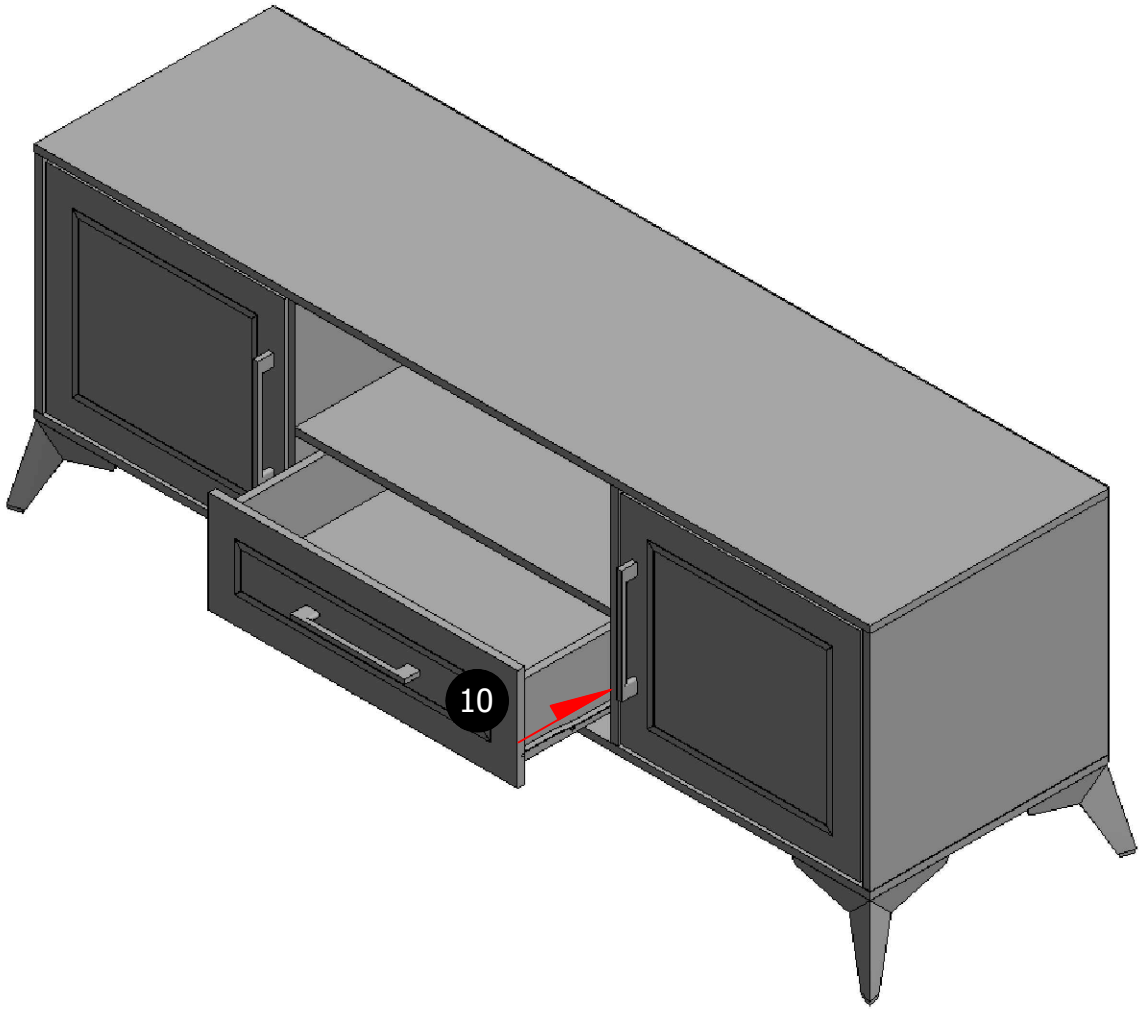


STEP 21.1

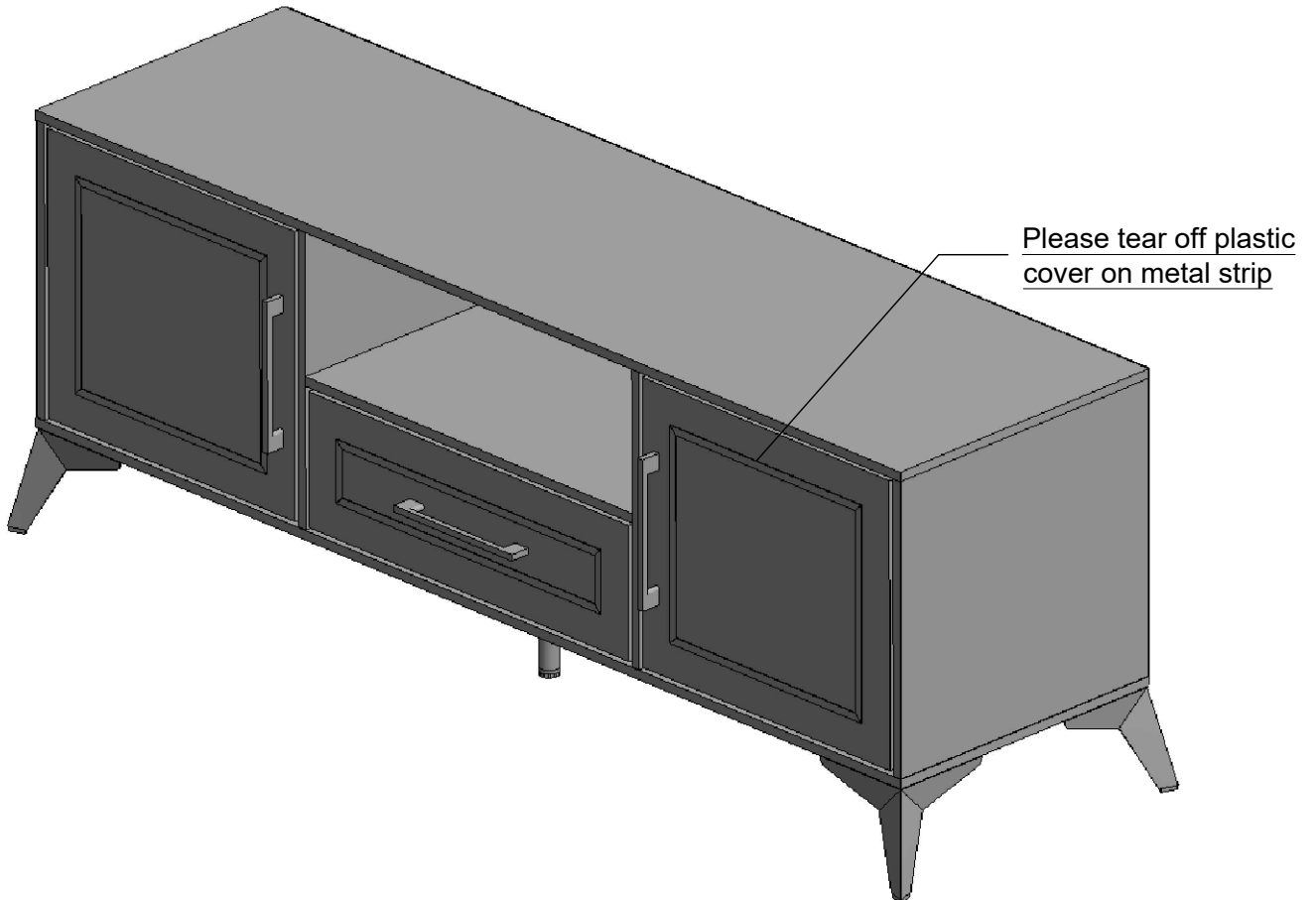


ASSEMBLY INSTRUCTION

STEP 22



STEP 23



ASSEMBLY COMPLETED