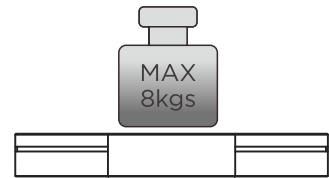
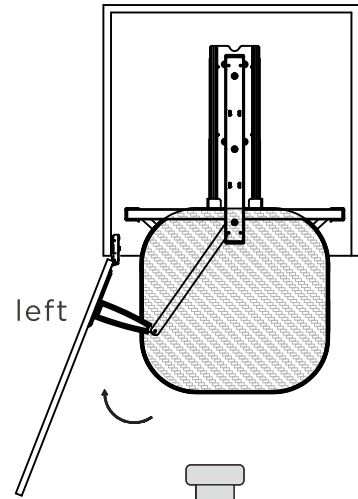
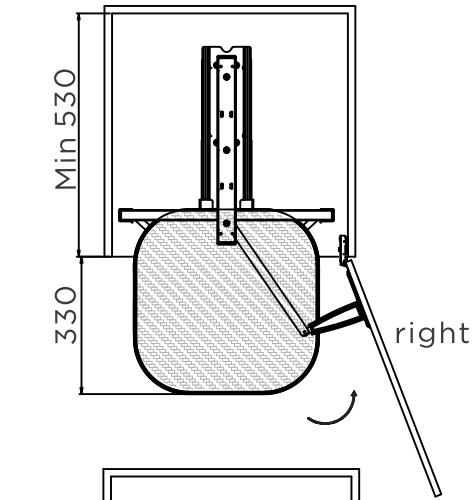
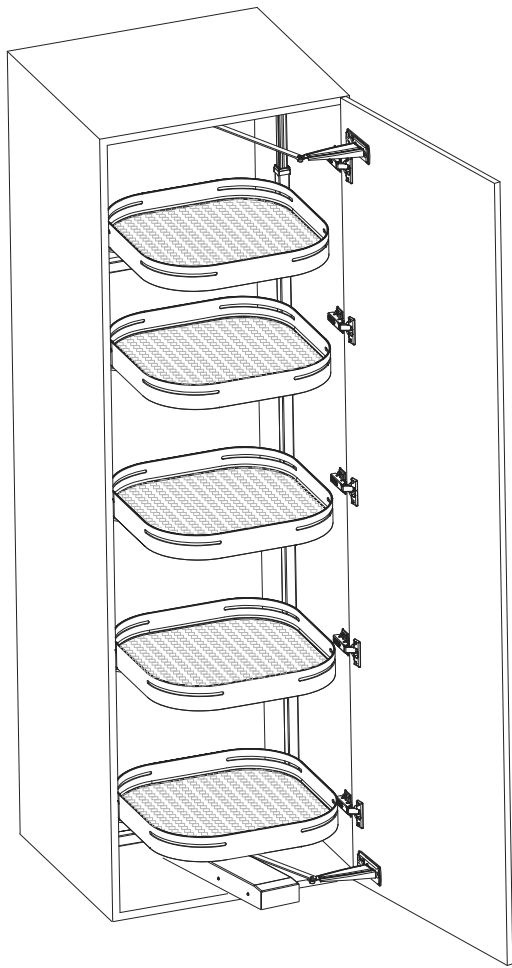


# Tourbillon Series Tall Unit 360° Rotation Pull Out Basket

INSTALLATION MANUAL

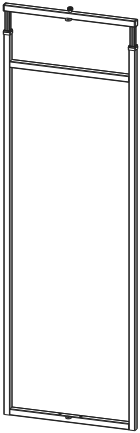











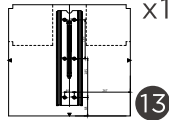



Please read the manual carefully before using the product  
and keep it properly.

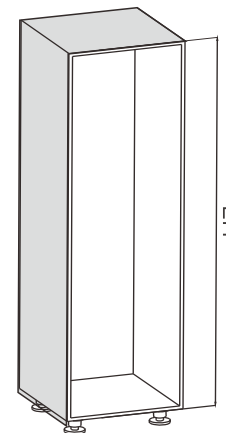
Remark :  
If your cabinet is not with standard wooden panel  
(such as aluminium frame door .,etc) ,  
please contact your local vendor before purchase



$$\text{MAX 8kgs} \times \text{Layers } 4/5/6 = \Sigma = \text{MAX 48kgs}$$

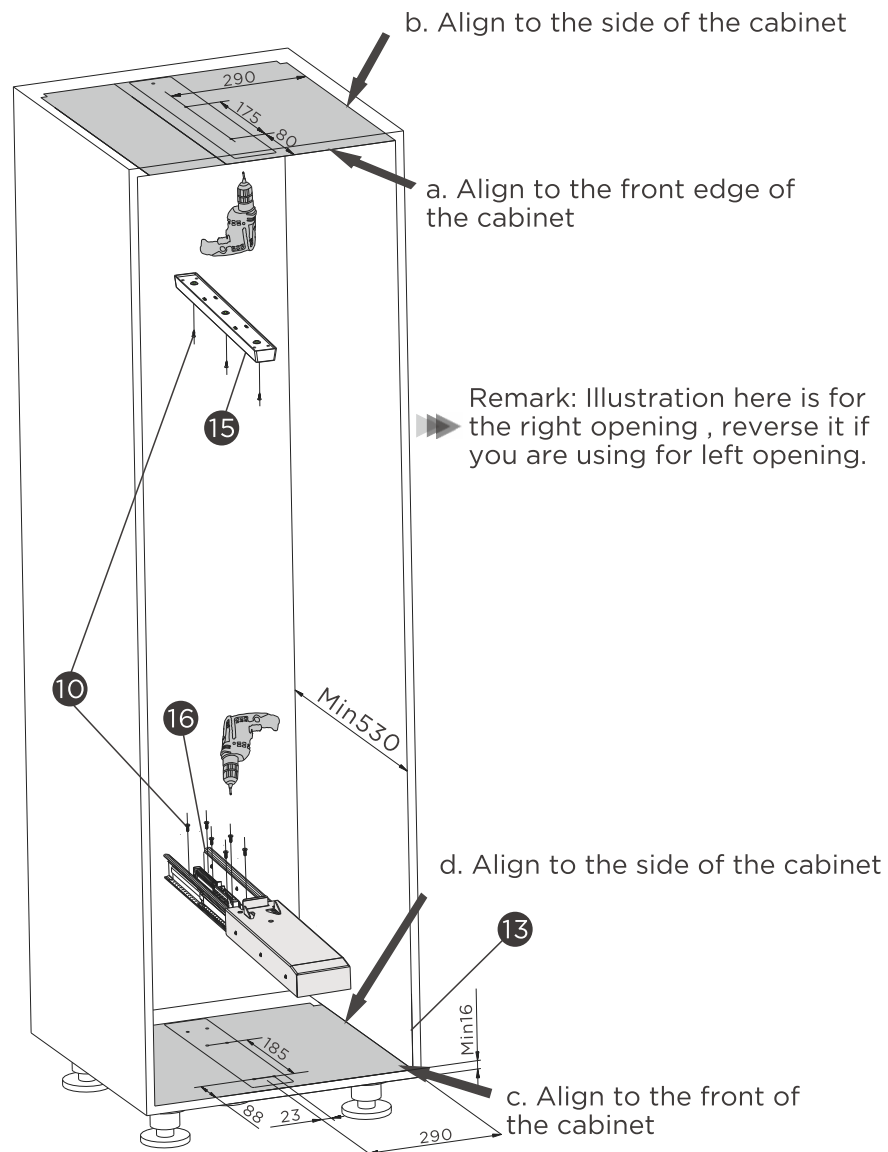
### Parts List

|  |   |   |  |
|--|---|---|--|
| <br>x1<br>1a + 1b | <br>x2<br>2          | <br>x2<br>3          | <br>x2<br>4               |
|  | <br>M5*16<br>x2<br>5 | <br>M6*12<br>x2<br>6 | <br>x1<br>7               |
|  | <br>x2<br>8          | <br>M8*35<br>x2<br>9 | <br>ST4.0*16<br>x19<br>10 |
|  | <br>M4*8<br>x4<br>11 | <br>M5<br>x2<br>12   | <br>x1<br>13              |
| <br>Layers<br>14  | <br>x1<br>15         | <br>x1<br>16         |  |

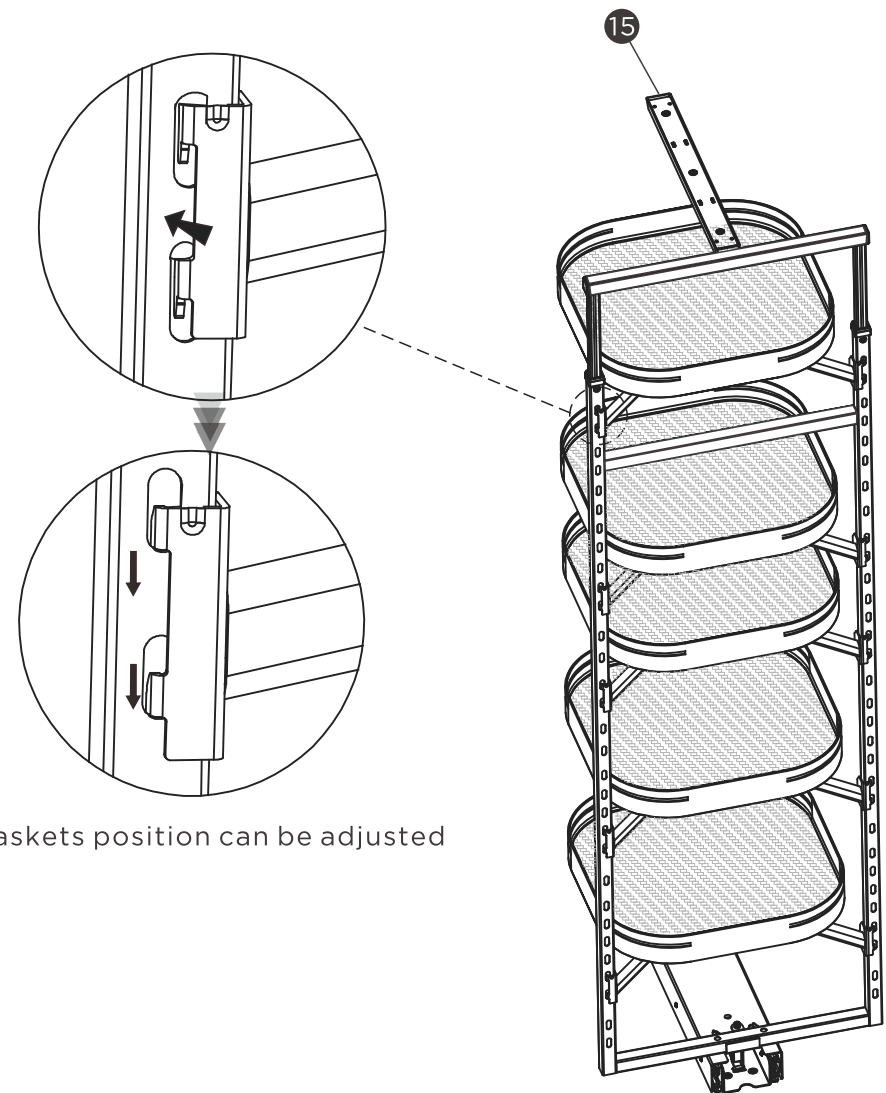


| Layers   | LH        |
|----------|-----------|
| 4 layers | 1400-1700 |
| 5 layers | 1700-2000 |
| 6 layers | 2000-2300 |

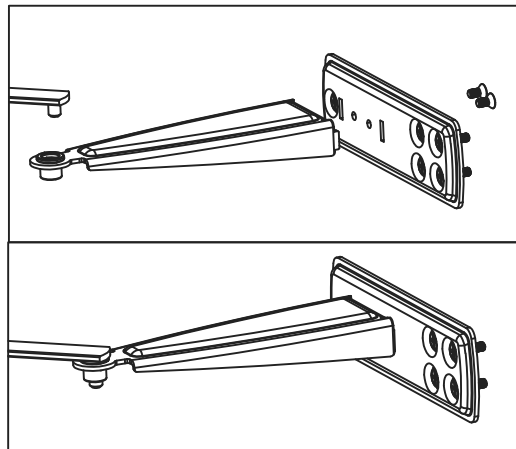
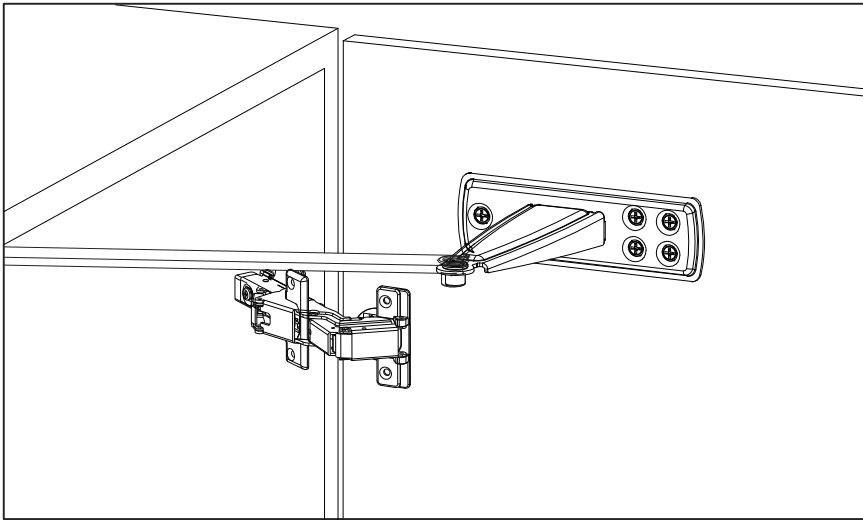
## 1. Install the sliders



## 6. Install the Baskets

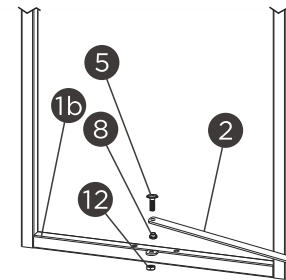
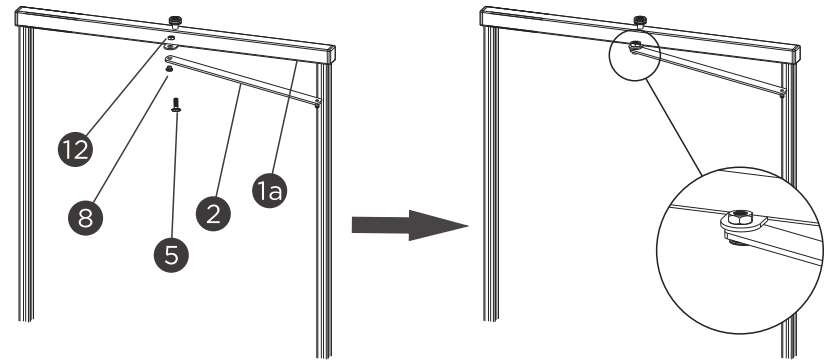


## 5. Connect with the door panel



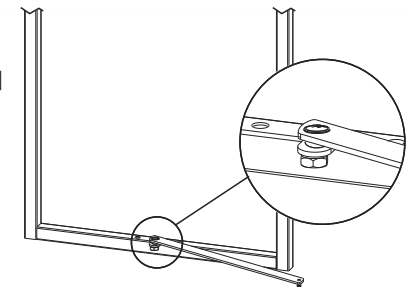
Connect with the bracket

## 2. Connecting parts assembly

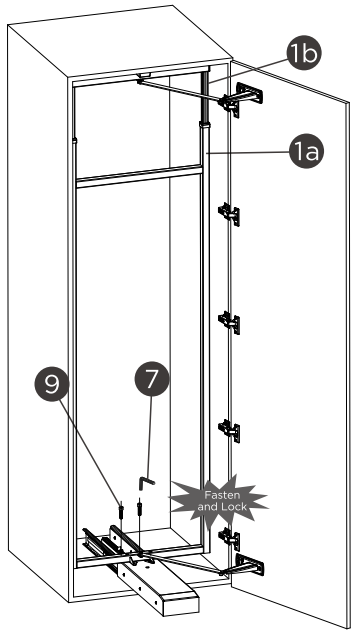


Remark: The screw and nut must be fastened tightly

Screw for upper connecting bar shall face up and face down for the lower connecting bar Please see illustration above

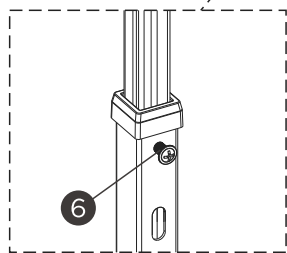
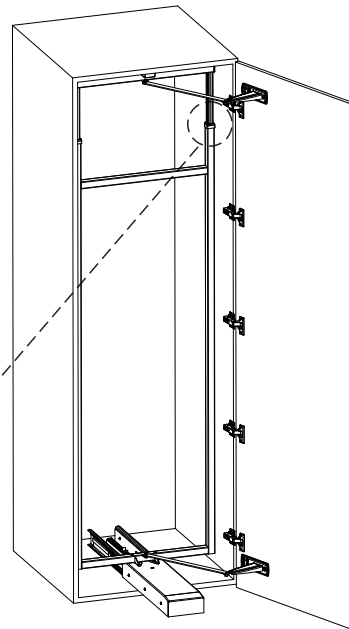


### 3. Frame installation



Remark:  
Part 1a and 1b must be assembled  
before connecting with upper slider

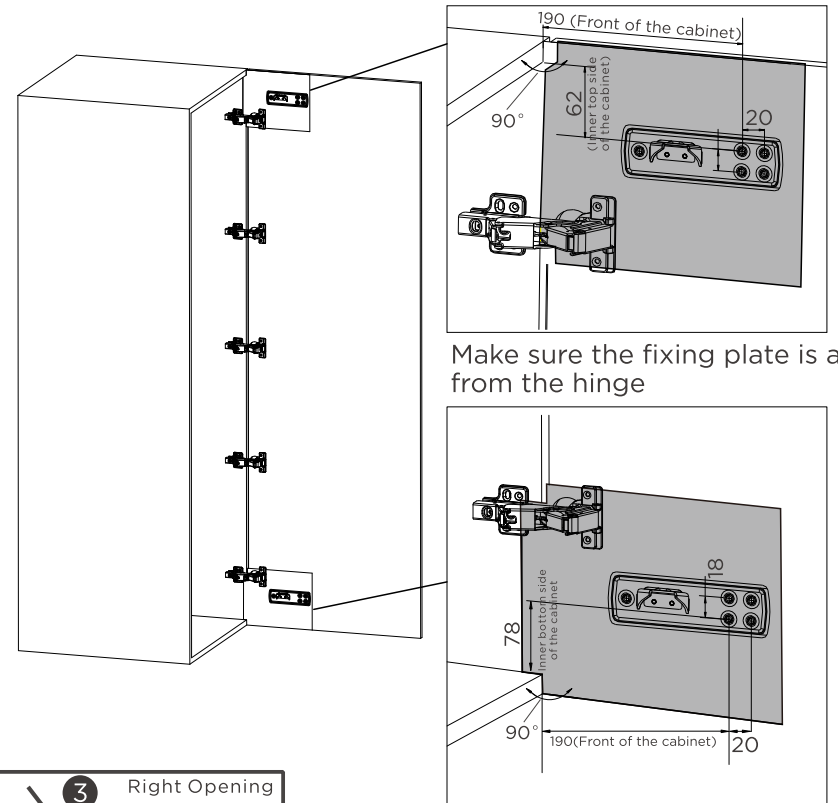
Fasten the extending frame  
part on both sides



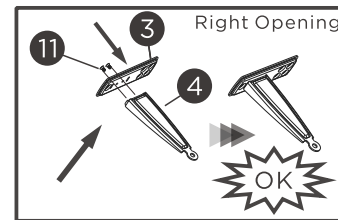
Tighten the locking screws  
on both sides

### 4. Door panel connection

▶▶ Install the door panel fixing plate



Make sure the fixing plate is away  
from the hinge



Remark: The drawing on the left hand  
side is for the right opening  
( If the cabinet is left opening ,you need  
to reverse the part 4

Remark :  
Make sure your cabinet is of standard size (See illustration here),  
please double check the actual drilling position firstly before  
using this template for help ;