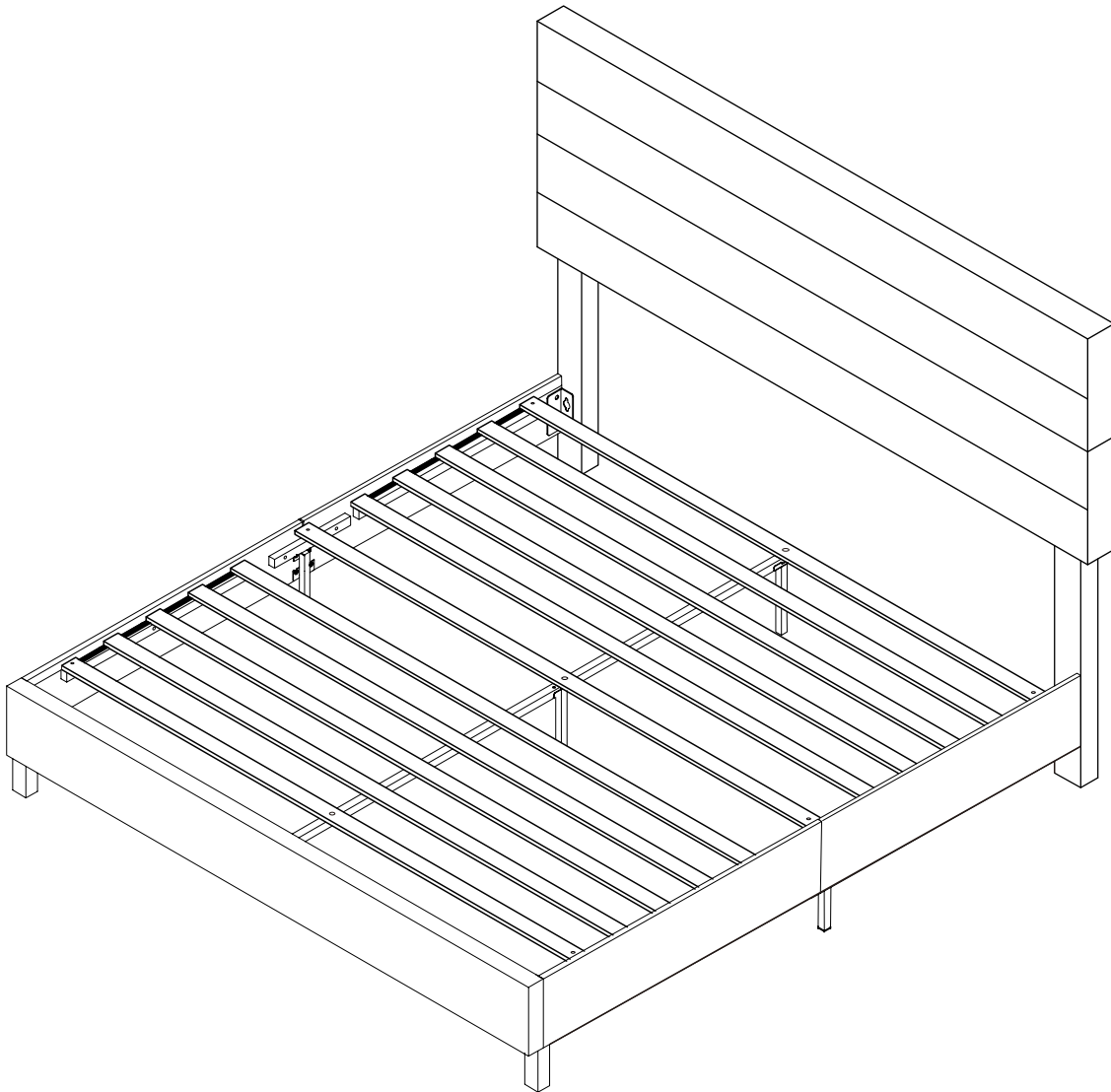


Queen) ASSEMBLY INSTRUCTIONS

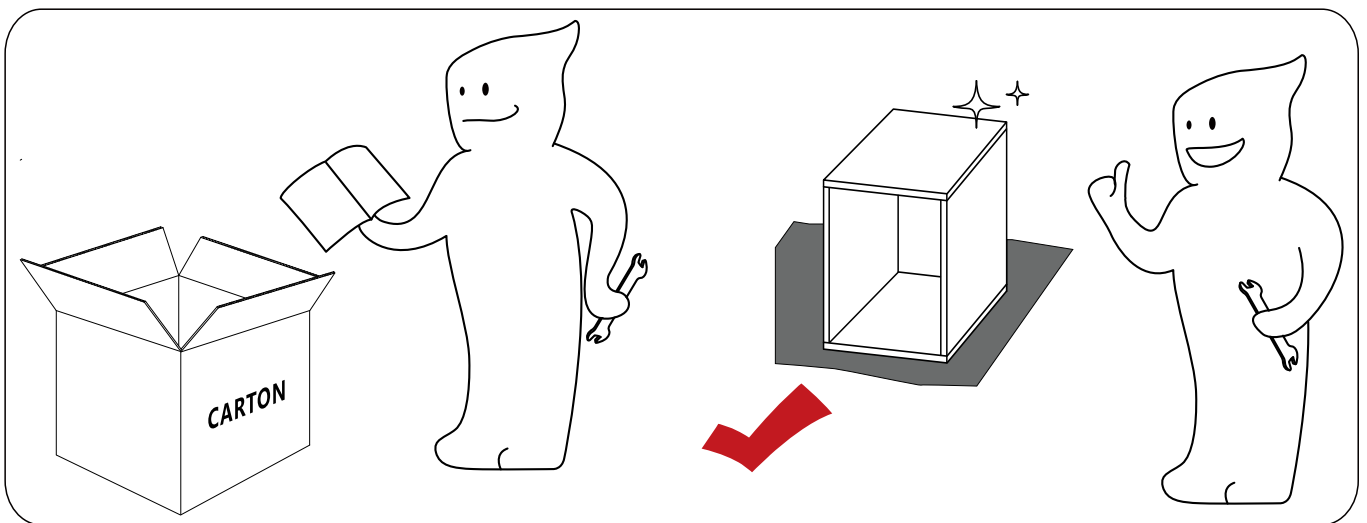
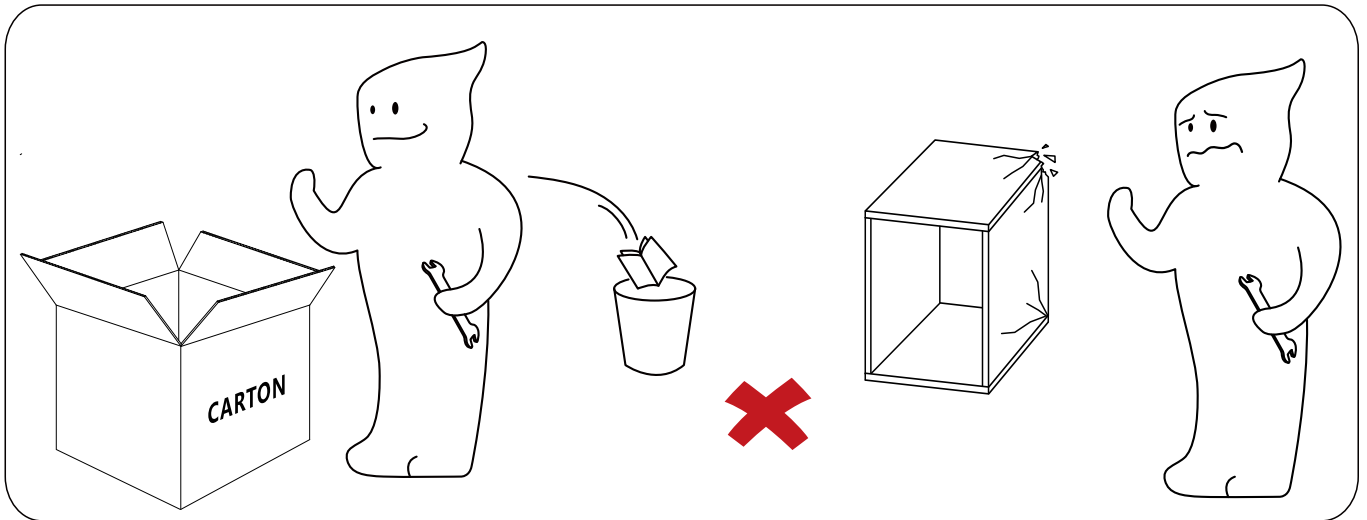


Please check that you have all the parts listed before you start assembling,if you do find that something is missing,do not continue assembly,please contact us immediately.

NOTE:Please do not completely tighten all the hardware until the entire assembly is complete!

! IMPORTANT

Please follow the instruction manuals and use a pad to protect the product during your assembly.



Note:

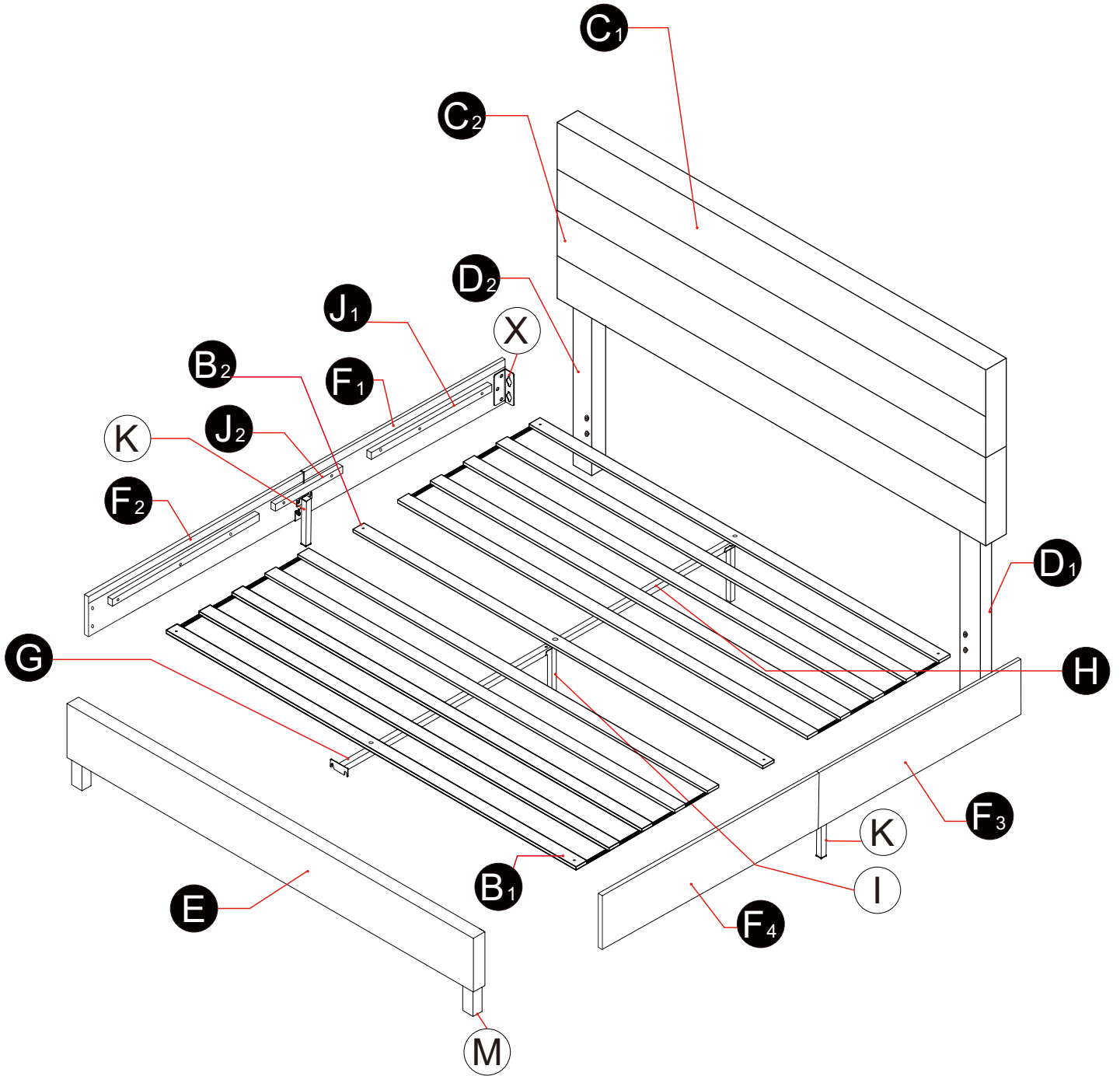
1. Should be assembled on flat ground to keep balance.
2. Before completing the installation, do not tighten the screws.



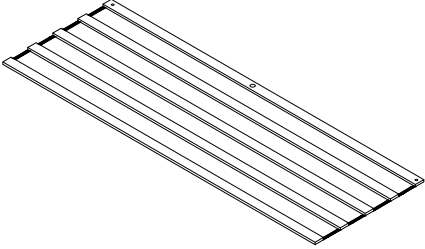
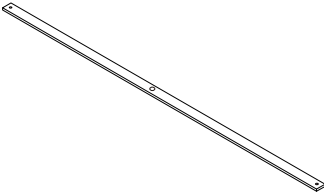
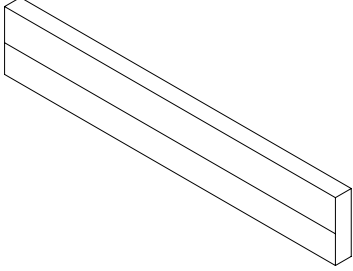
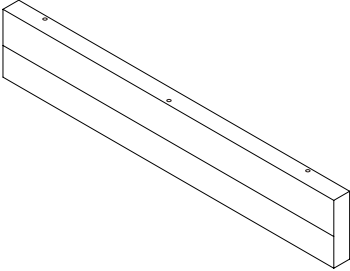


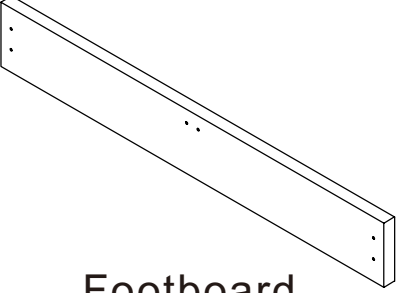
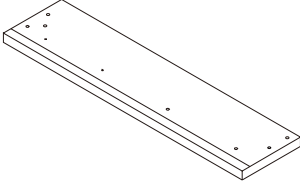
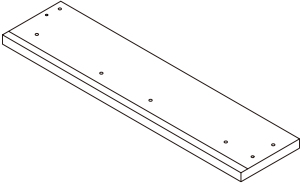
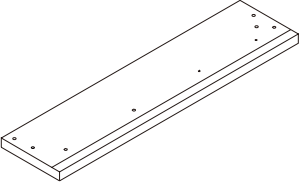
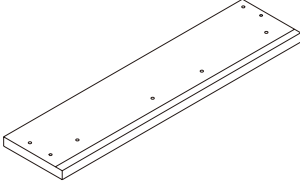
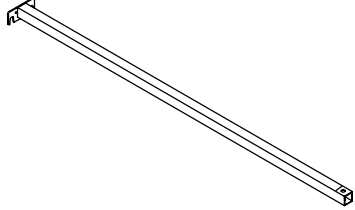
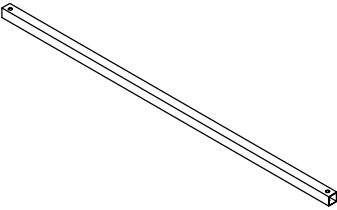
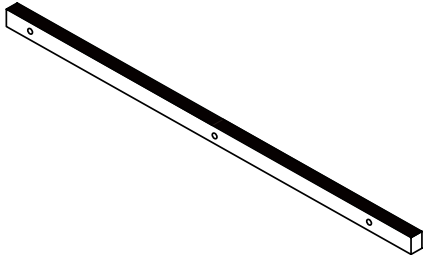
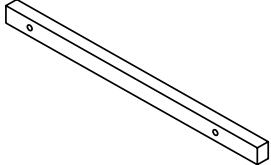
For easier and better assembly, **2** or more adults are required.

Attention:

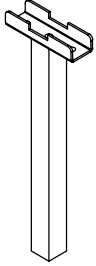
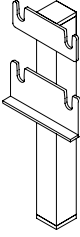
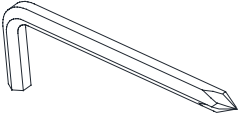

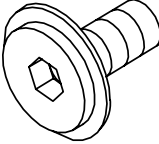
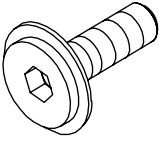
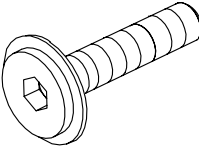
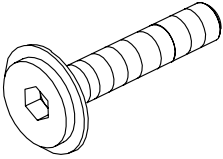


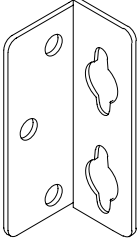
All the screws in, and then tighten them.



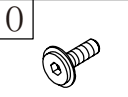
BED FRAME PARTS LIST

B₁  2PCS Slat	B₂  1PC Slat	C₁  1PC Top headboard
C₂  1PC Top headboard	D₁  1PC Right Leg	D₂  1PC Left Leg
E  1PC Footboard	F₁  1PC Left side rail	F₂  1PC Left side rail
F₃  1PC Right side rail	F₄  1PC Right side rail	G  1PC Middle support bar
H  1PC Middle support bar	J₁  4PCS side bar	J₂  2PCS side bar

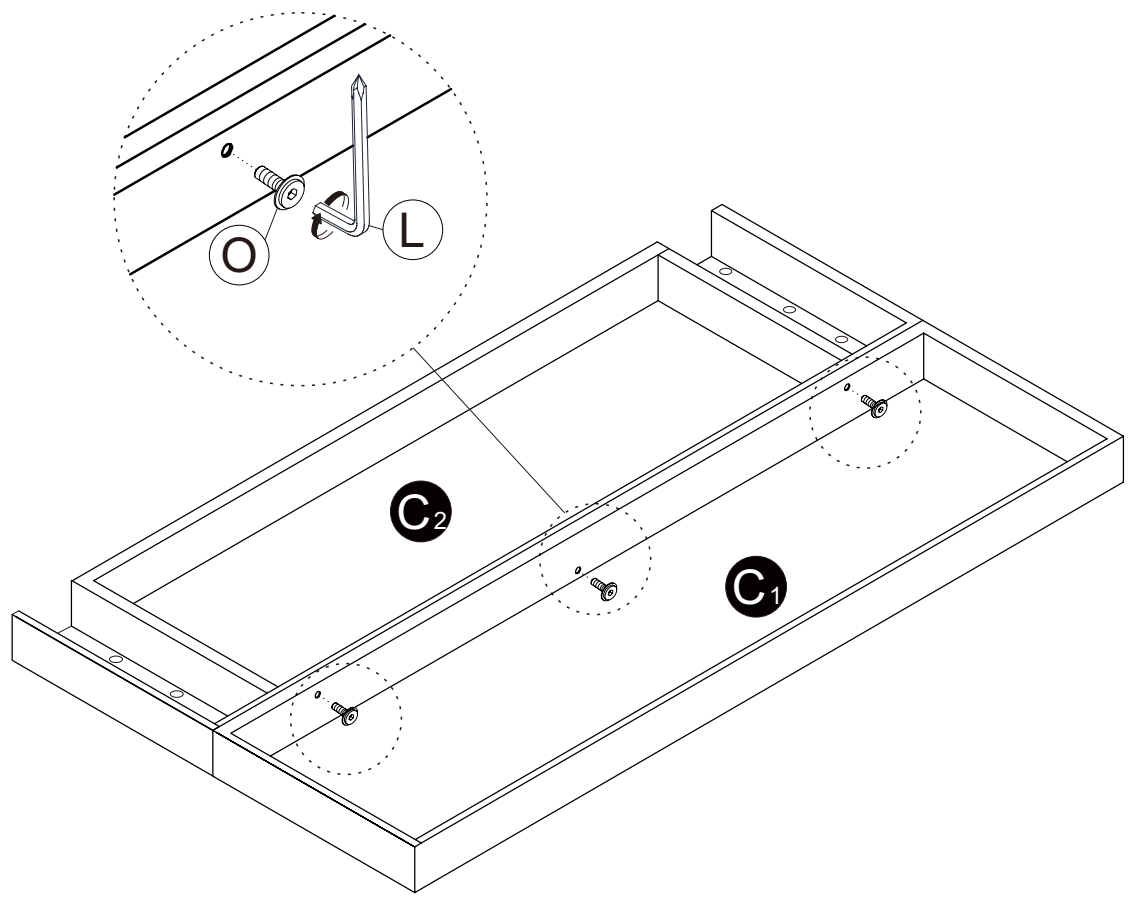
FITTING PART LIST

I	2PCS	K	2PCS	L	1PC	M	2PCS
 Support leg		 Support leg		 M6		 Leg	
N	20PCS	O	4PCS	P	22PCS	S	10PCS
 M8*18		 M8*35		 M8*50		 M8*60	
T	6PCS	U	6PCS	X	2PCS		
 M4*35		 M6*18*1.2		 Connector			

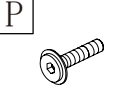
step1



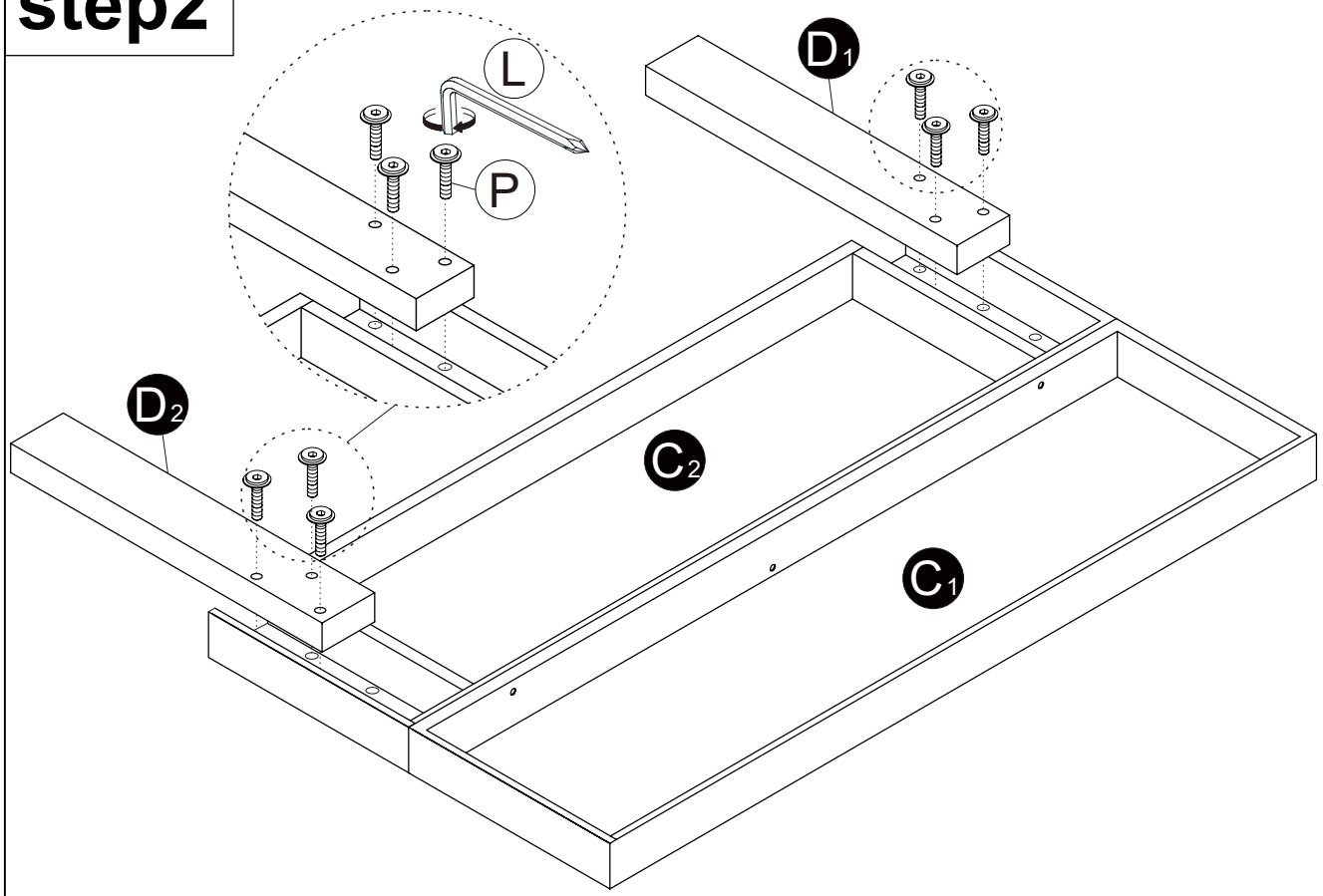
3PCS



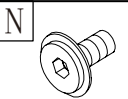
step2



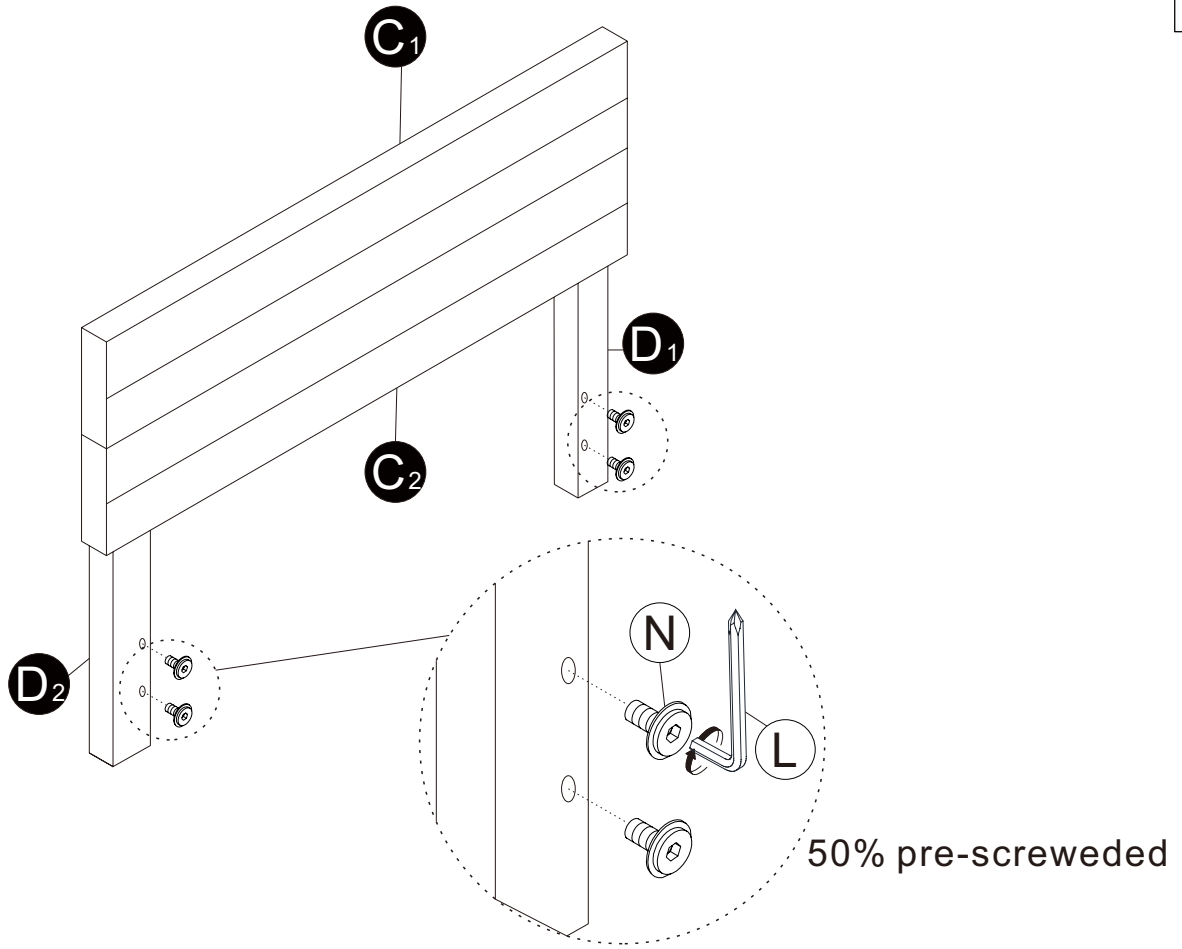
6PCS



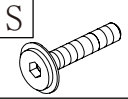
step3



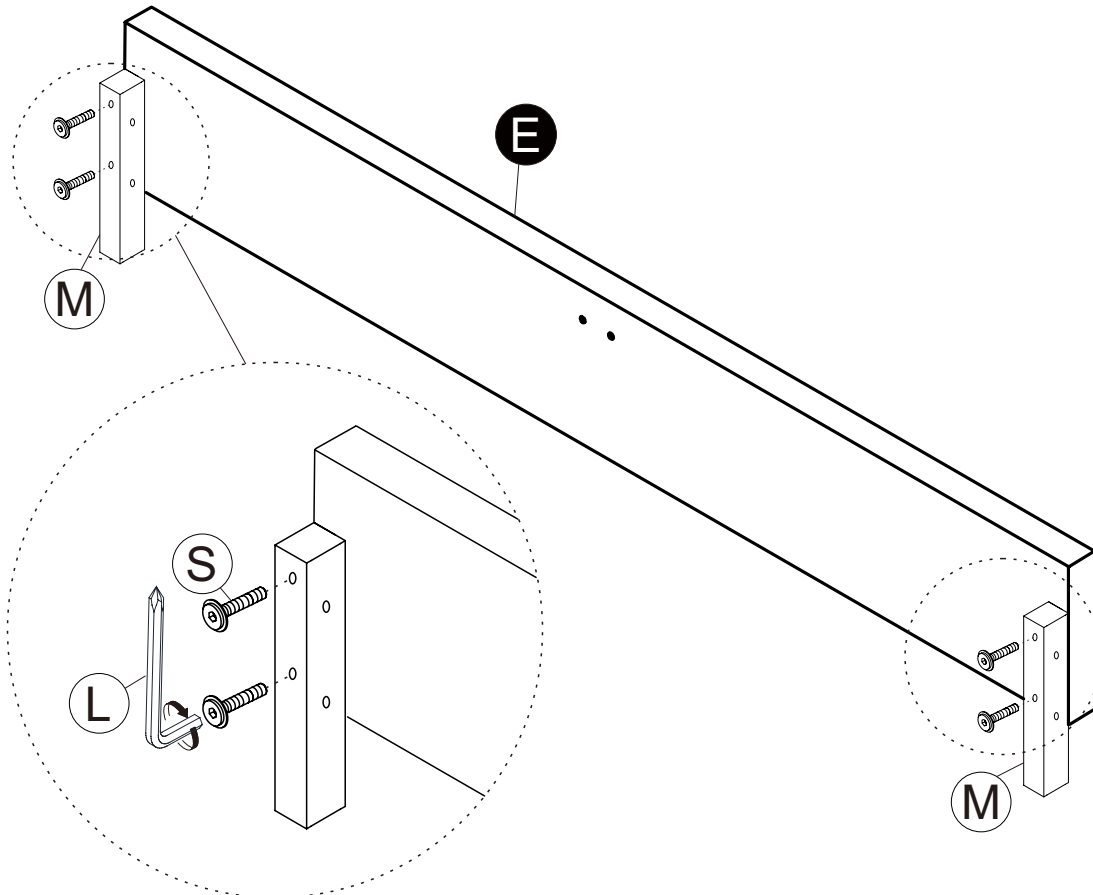
4PCS



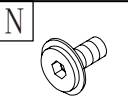
step4



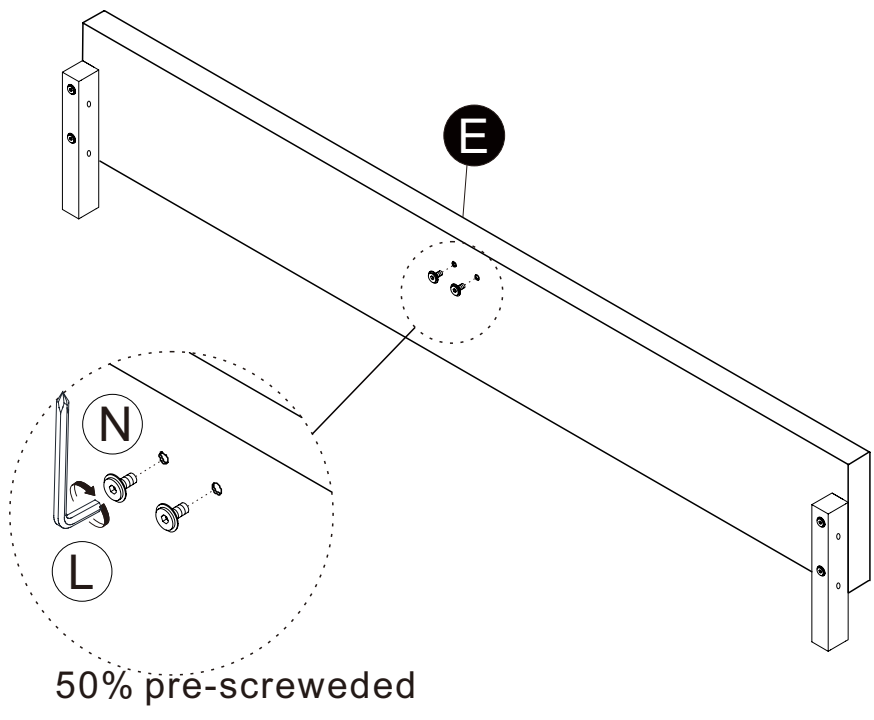
4PCS



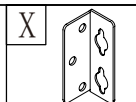
step5



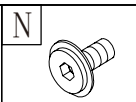
2PCS



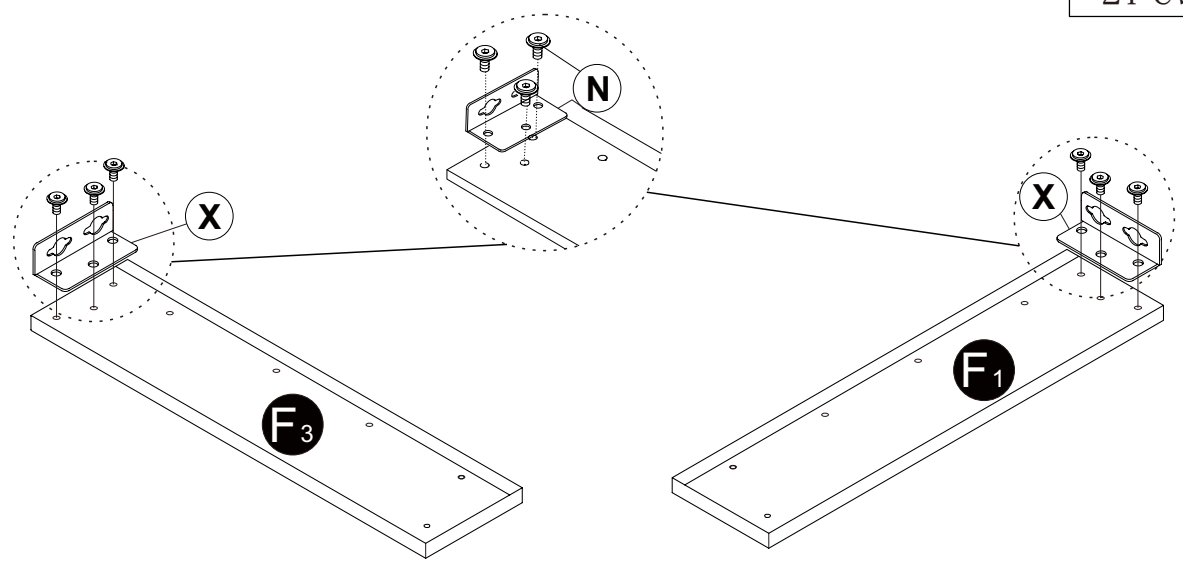
step6



2PCS



6PCS

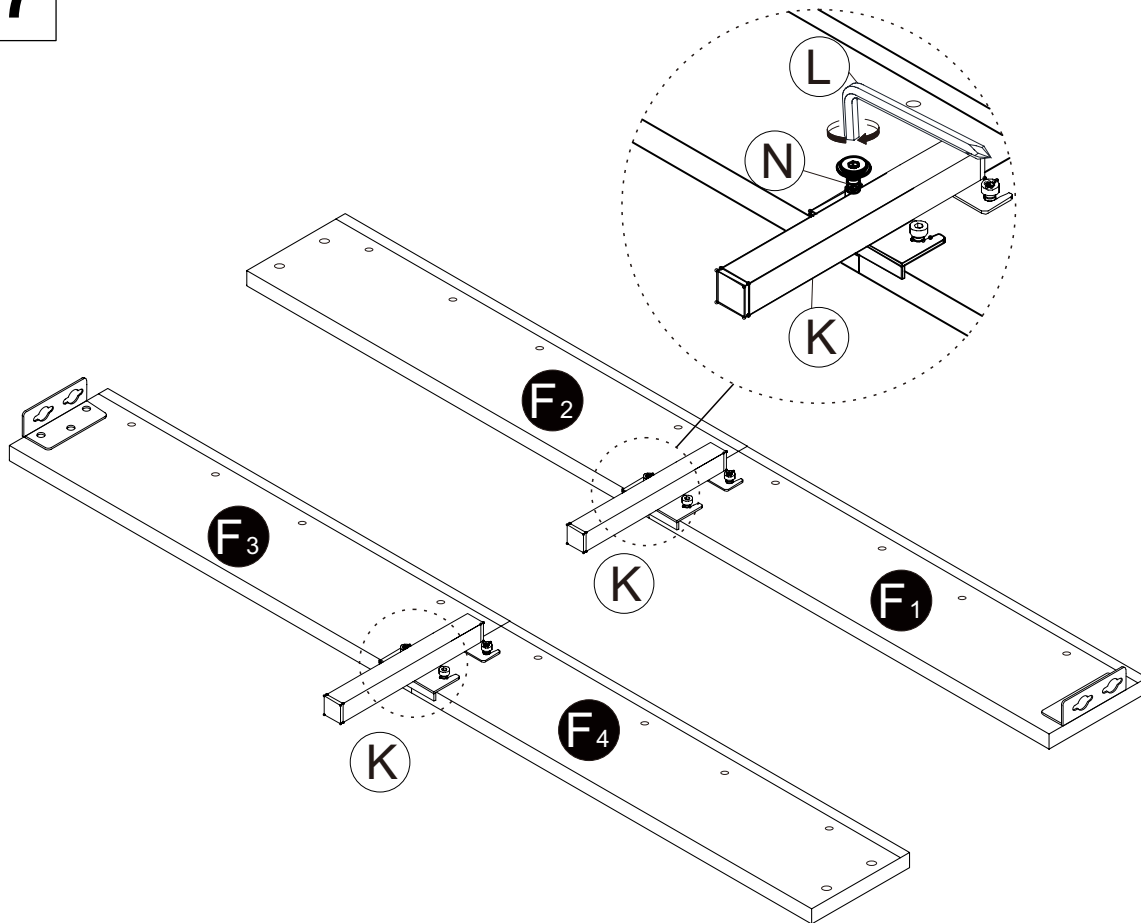


step7

N



8PCS

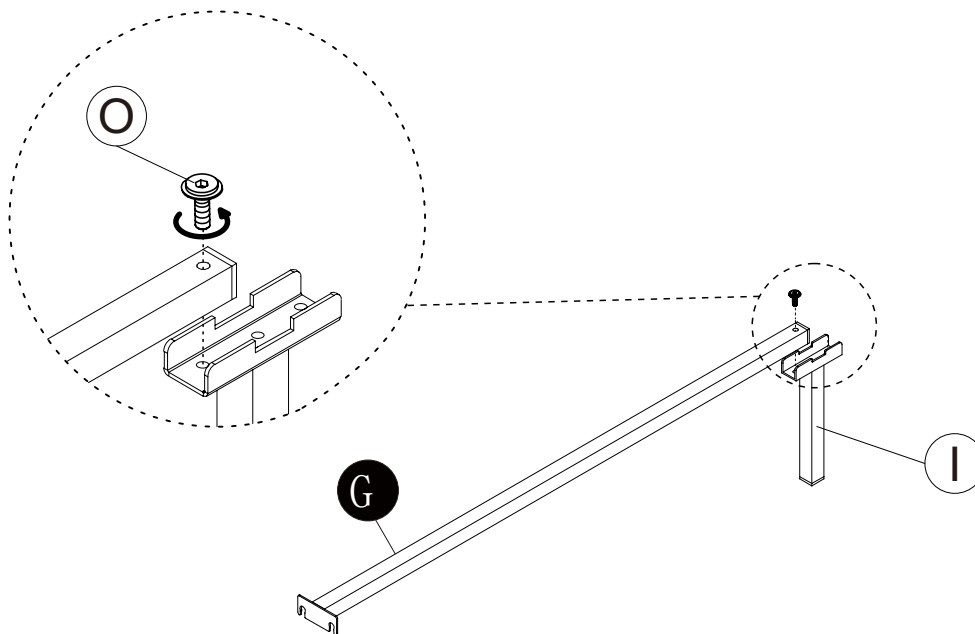


step8

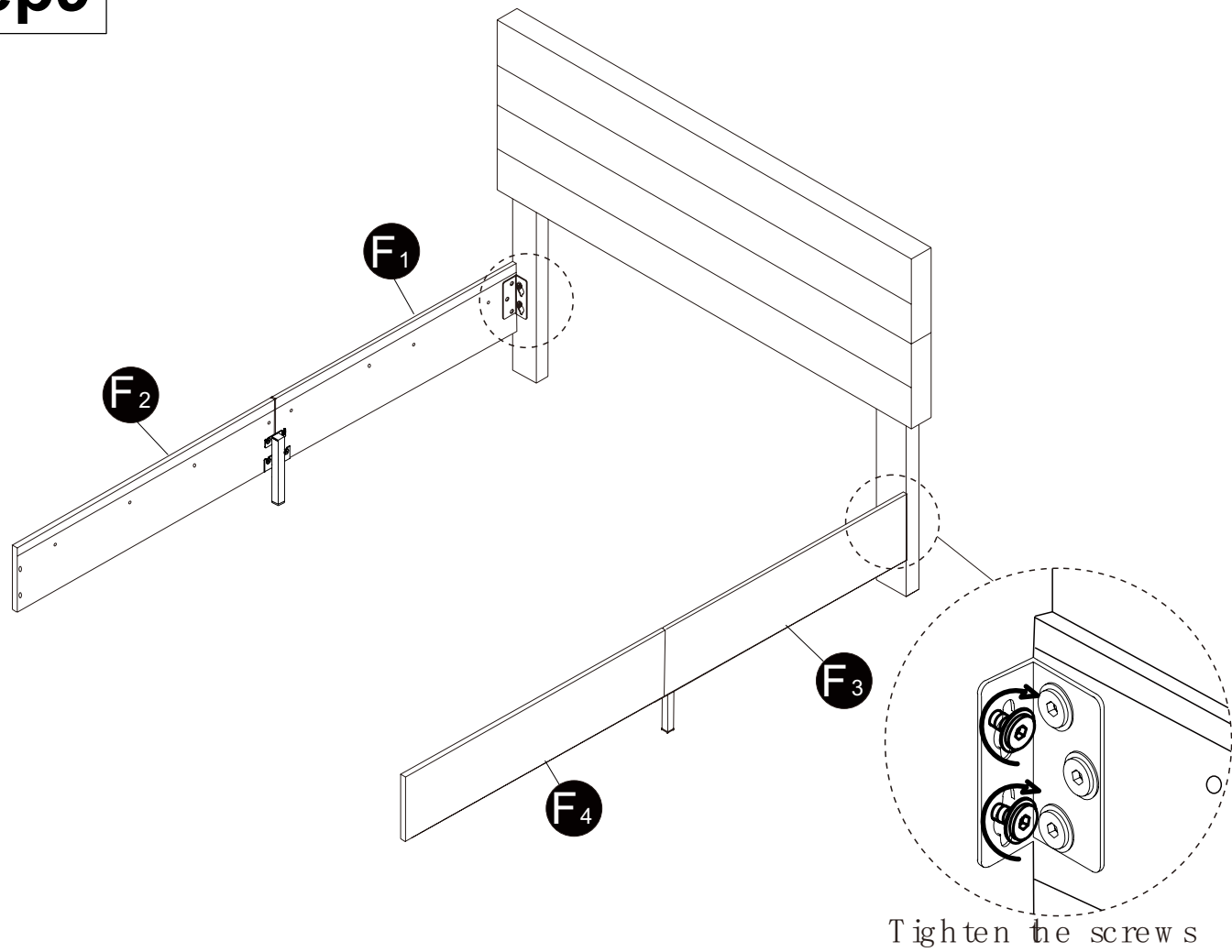
O



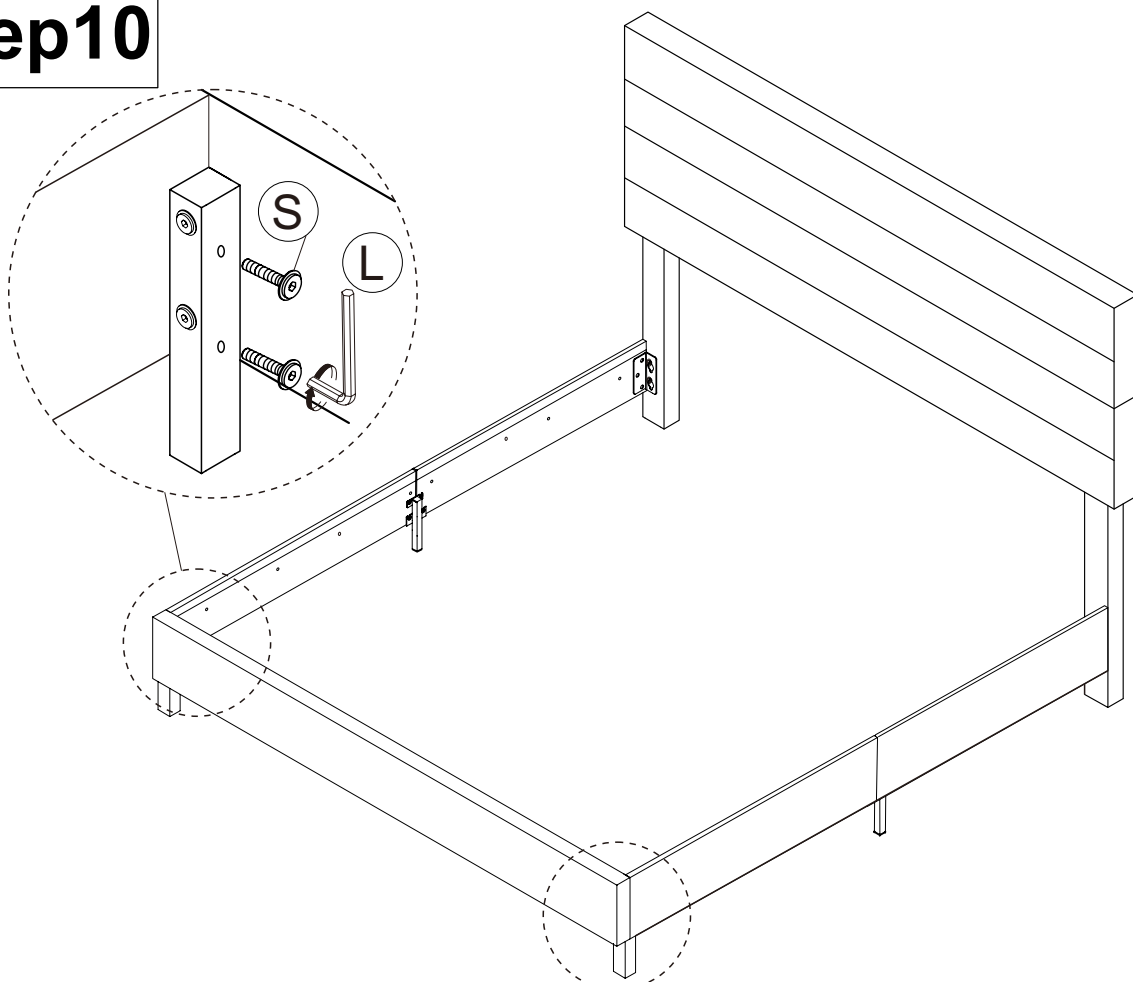
1PC

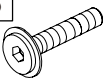


step9

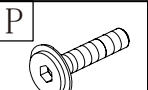


step10

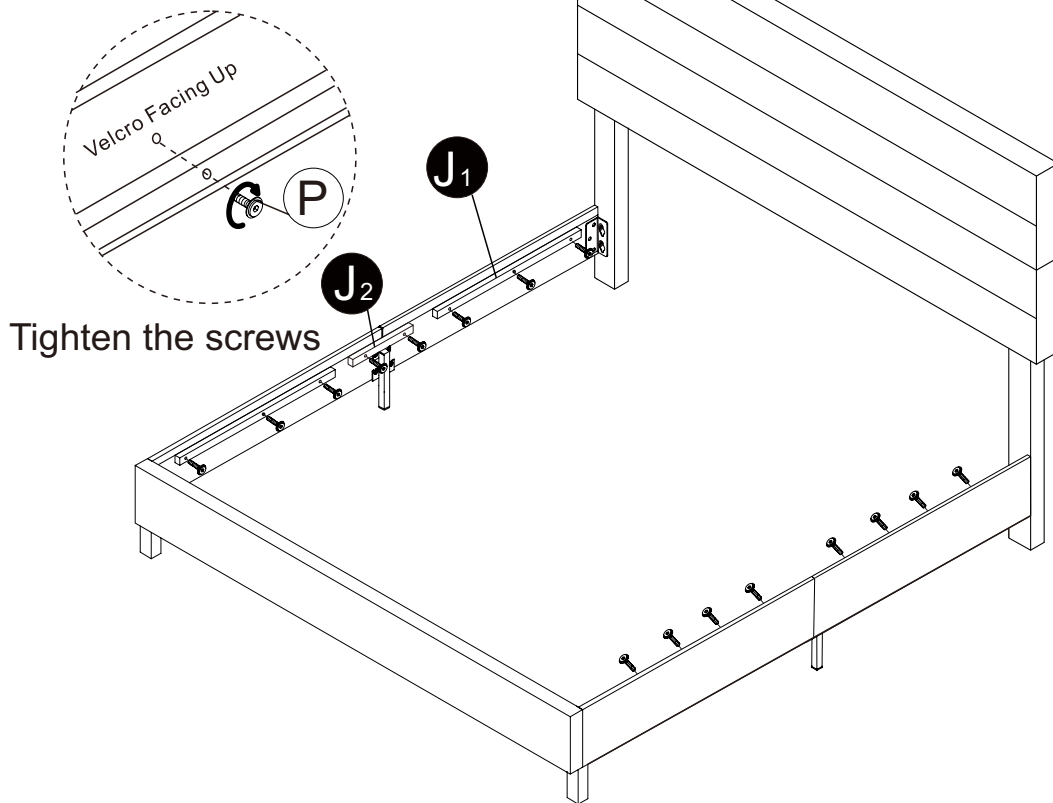


S	
4PCS	

step11

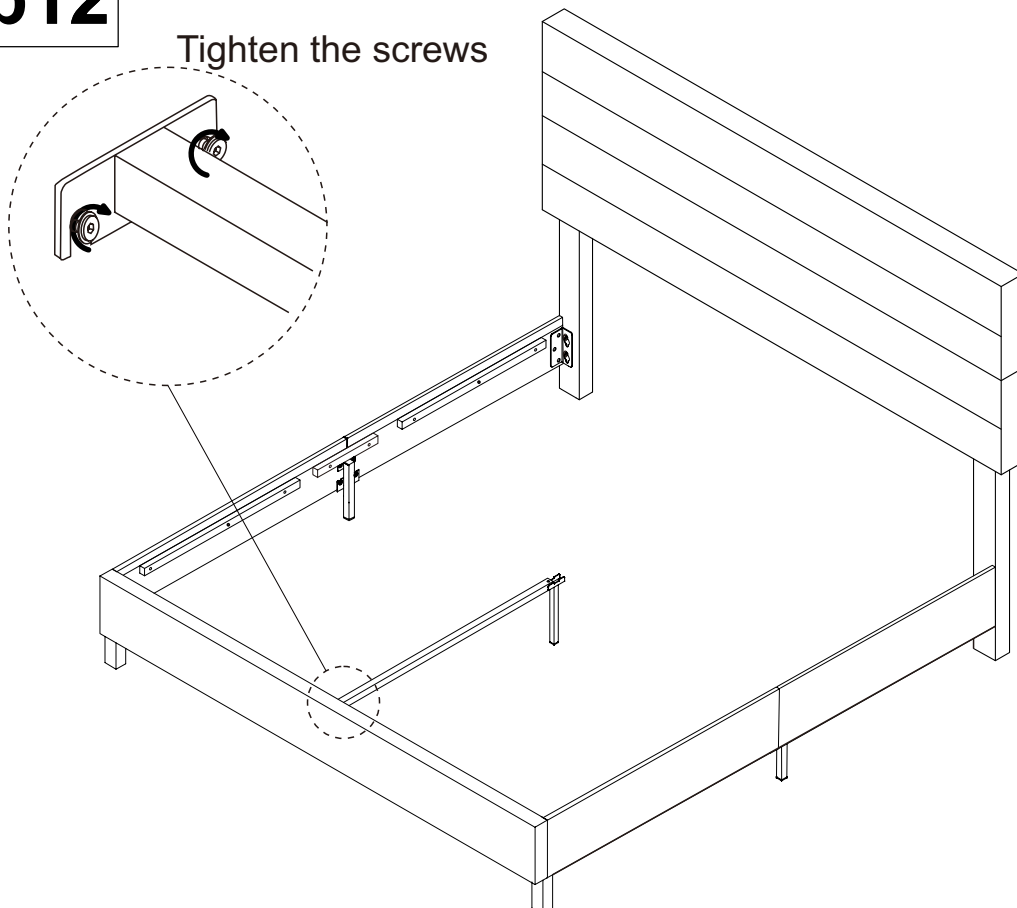


16PCS

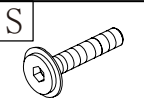


step12

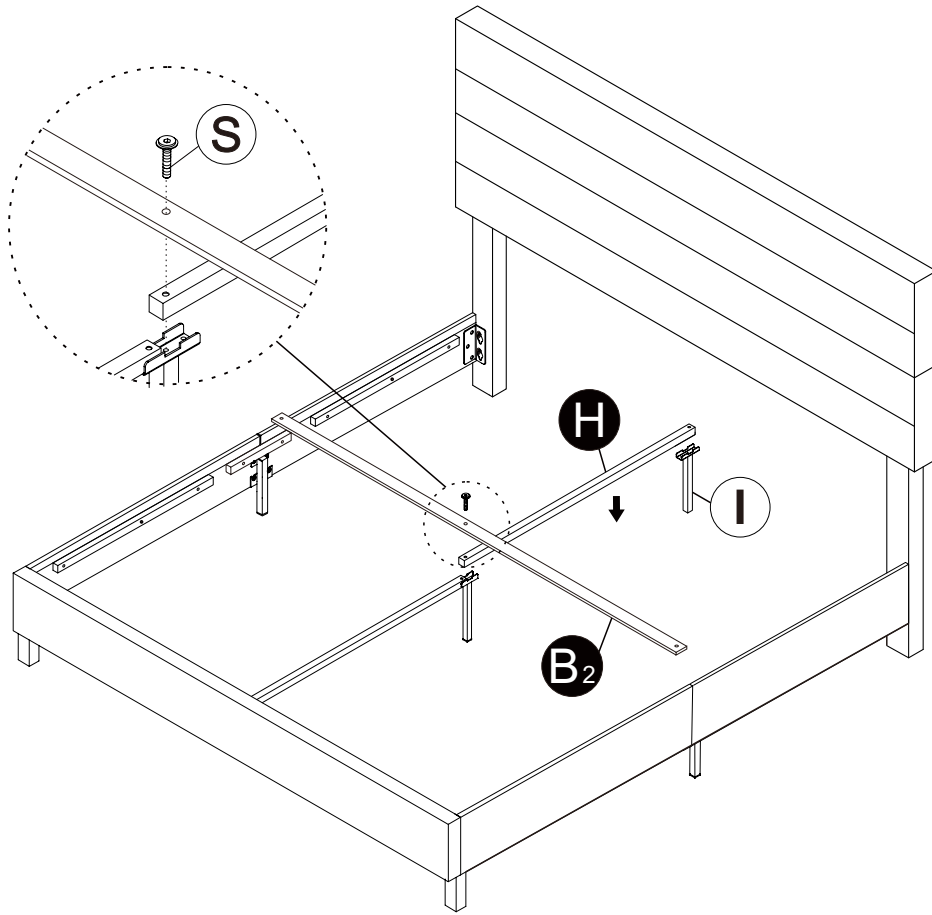
Tighten the screws



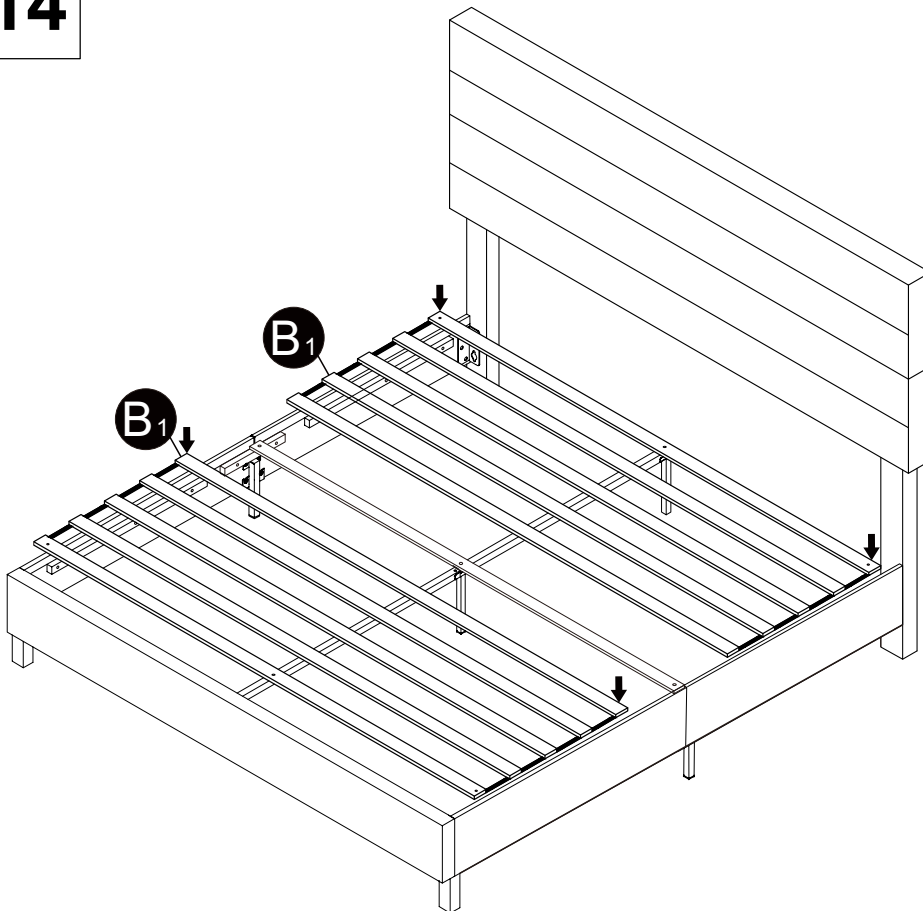
step13



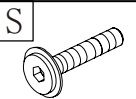
1PC



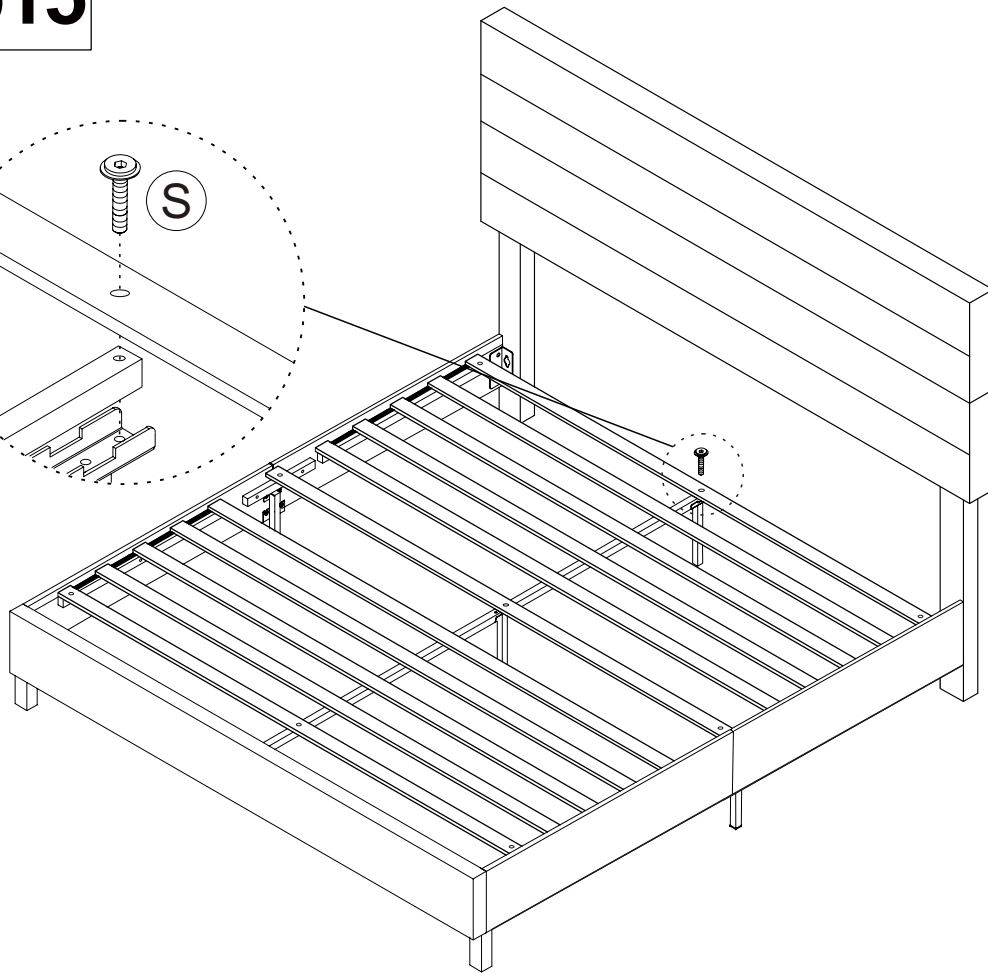
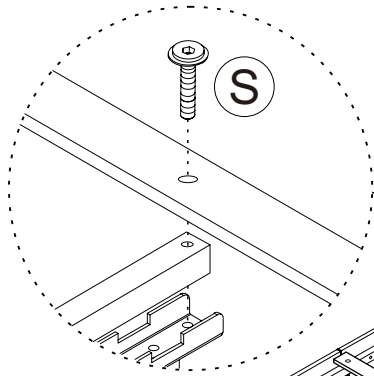
step14



step15



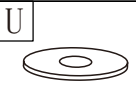
1PC



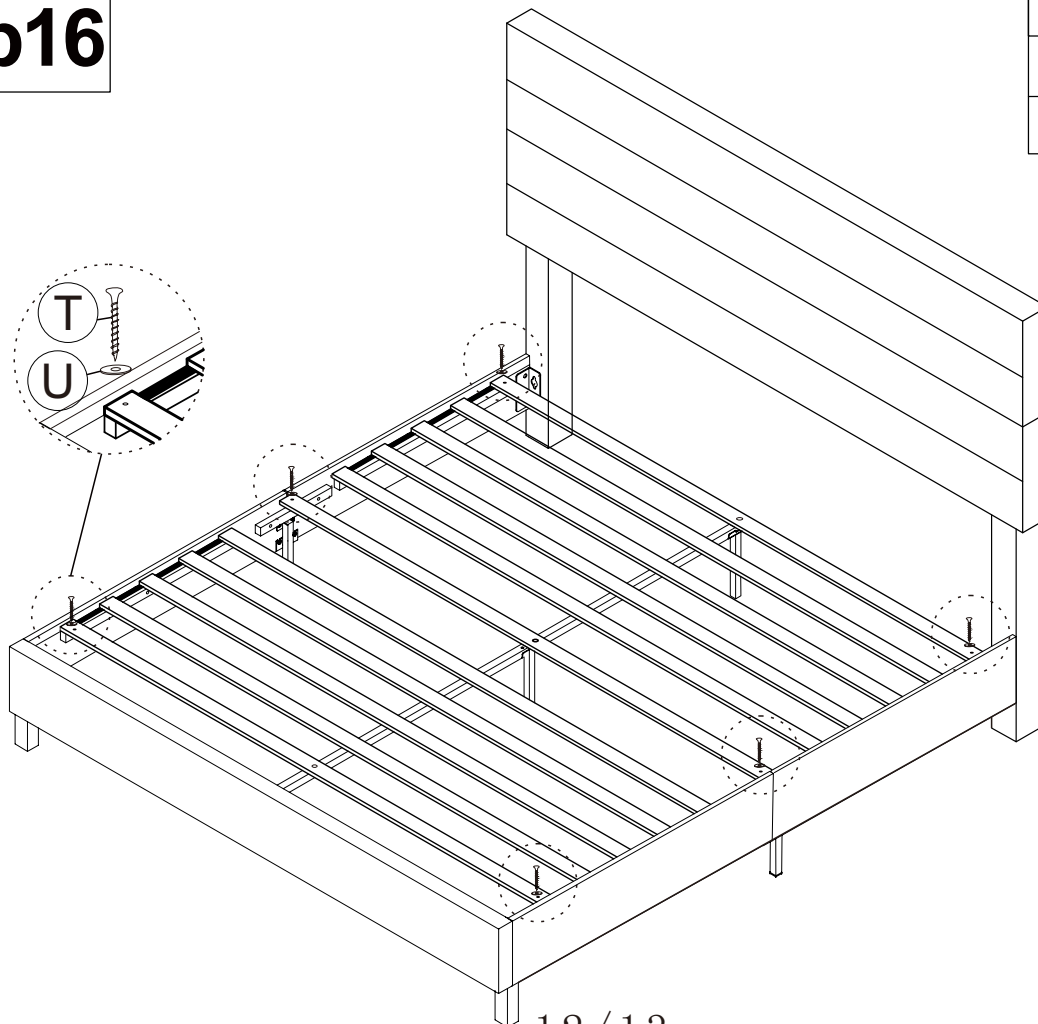
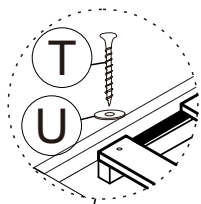
step16



6PCS



6PCS



step17

