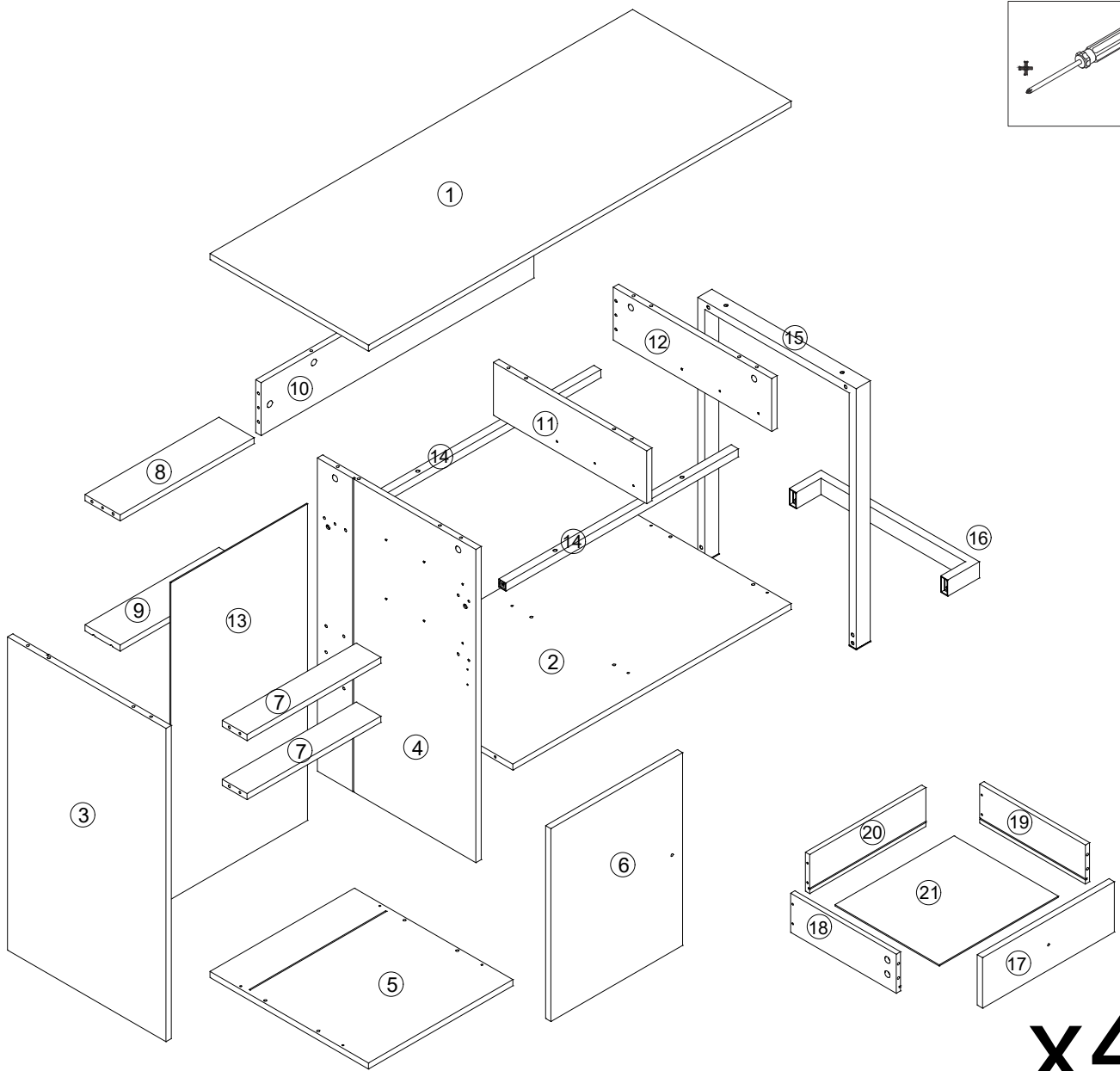
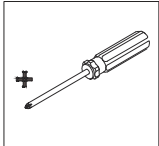
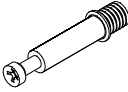
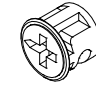
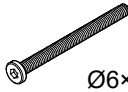

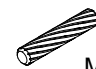
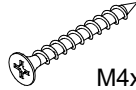


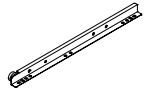
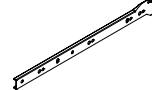

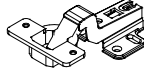
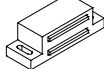
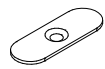

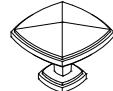





MANICURE TABLE

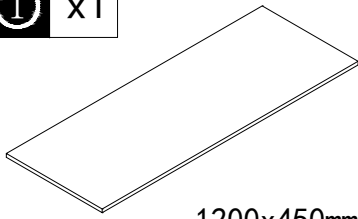
User Guide



x4

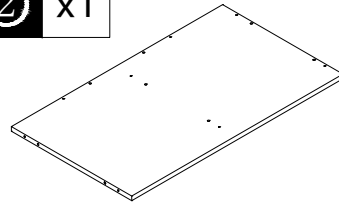
				
Ⓐ × 36 pcs + 1 PC	Ⓑ × 36 pcs + 1 PC	Ⓒ × 6 pcs + 1 PC	Ⓓ × 4 pcs + 1 PC	Ⓔ × 34 pcs + 1 PC
				
Ⓕ × 30 pcs + 1 PC	Ⓖ × 60 pcs + 1 PC	Ⓗ × 4 pcs	Ⓘ × 4 pcs	Ⓙ × 4 pcs
				
Ⓚ × 4 pcs	Ⓛ × 2 pcs	Ⓜ × 1 pc	Ⓝ × 1 pc	Ⓞ × 4 pcs
				
Ⓟ × 5 pc	Ⓠ × 5 pcs	Ⓡ × 1 pc	Ⓢ × 3 pcs	

① x1



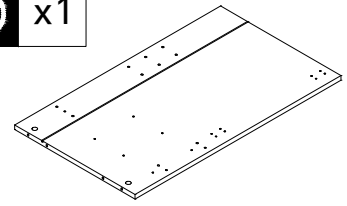
1200x450mm

② x1



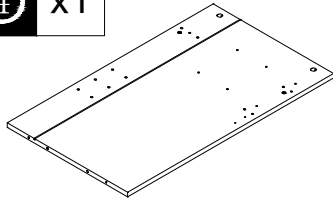
790x449mm

③ x1



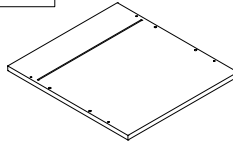
769x449mm

④ x1



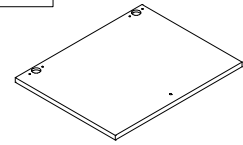
769x449mm

⑤ x1



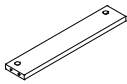
450x410mm

⑥ x1



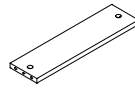
474x374mm

⑦ x2



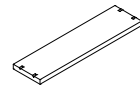
380x70mm

⑧ x1



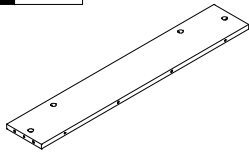
380x100mm

⑨ x1



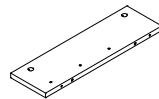
379x100mm

⑩ x1



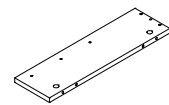
775x130mm

⑪ x1



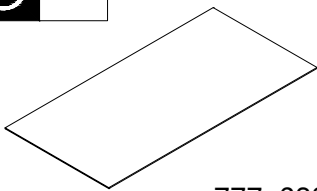
433x130mm

⑫ x1



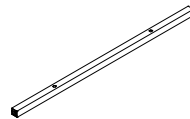
449x130mm

⑬ x1



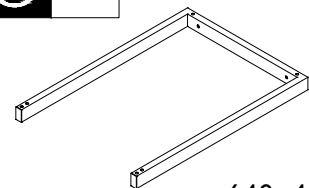
777x388mm

⑭ x2



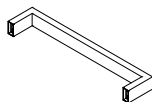
20x660mm

⑮ x1



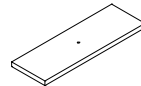
640x450mm

⑯ x1



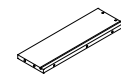
450x80mm

⑰ x4



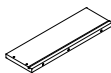
374x124mm

⑱ x4



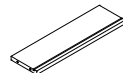
300x96mm

⑲ x4



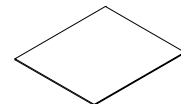
300x96mm

⑳ x4



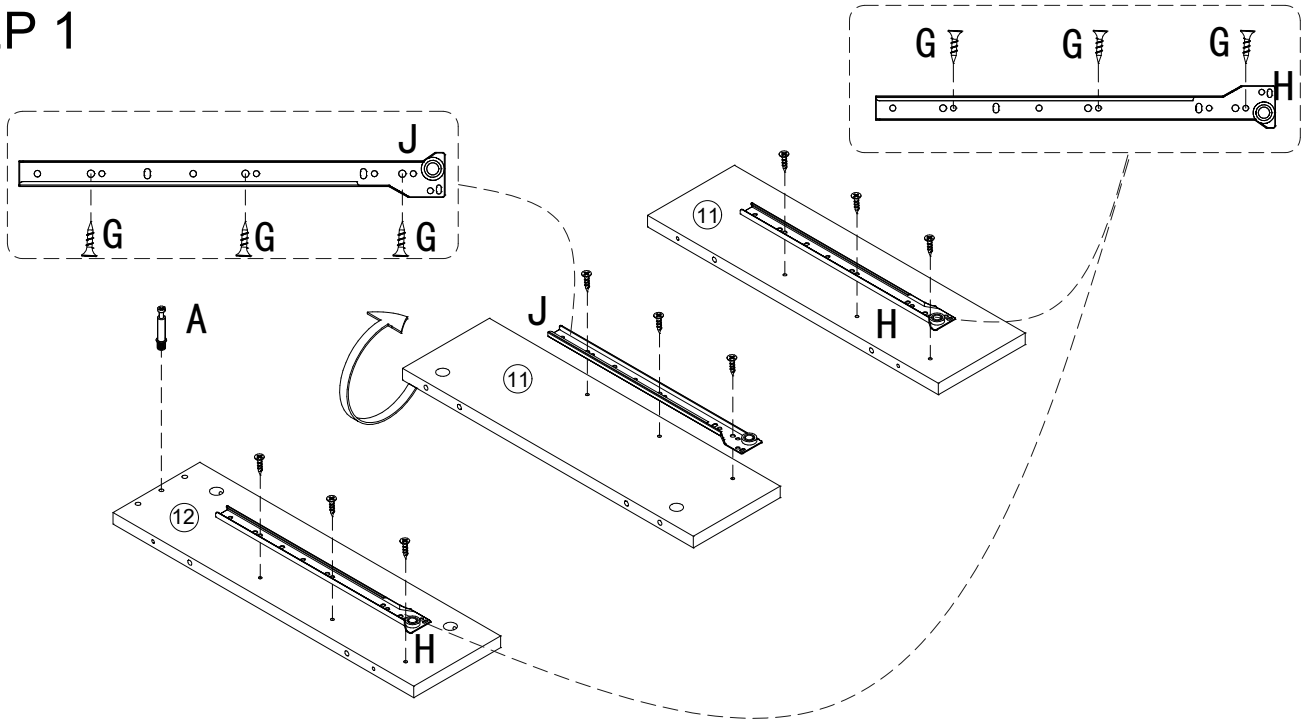
330x96mm

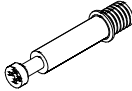
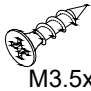

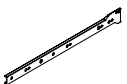
㉑ x4



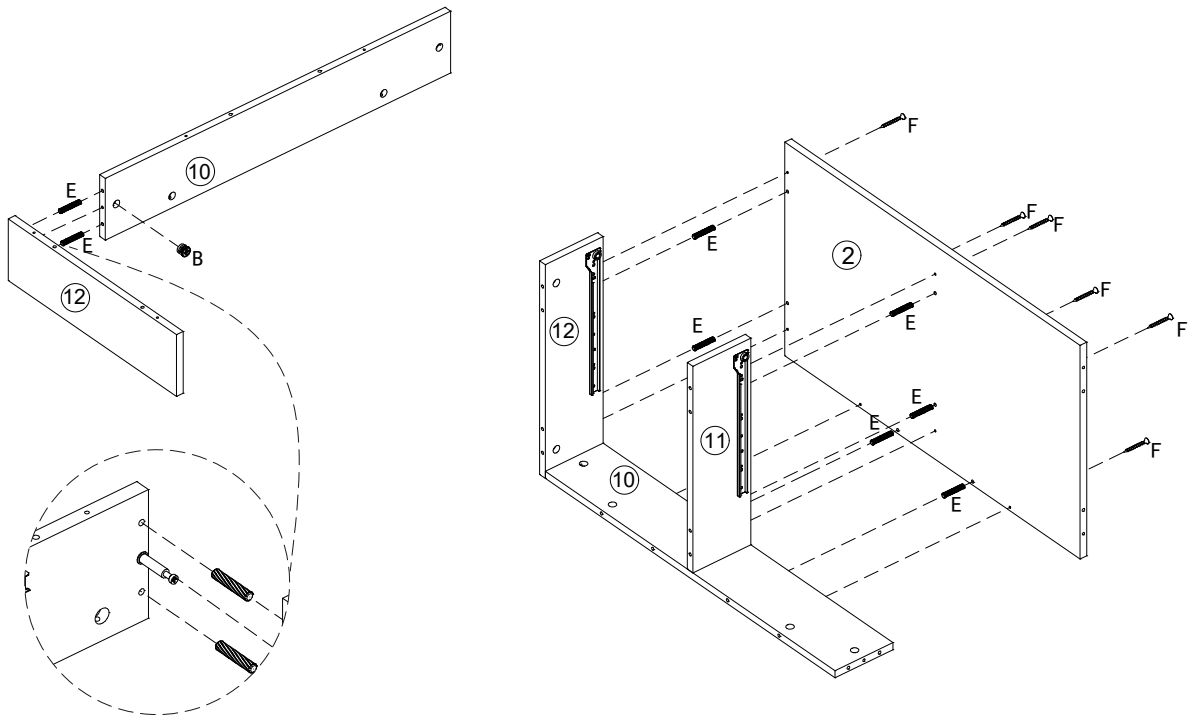
338x294mm

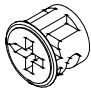
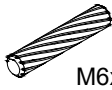

STEP 1



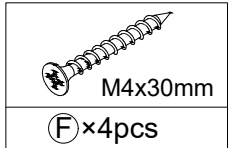
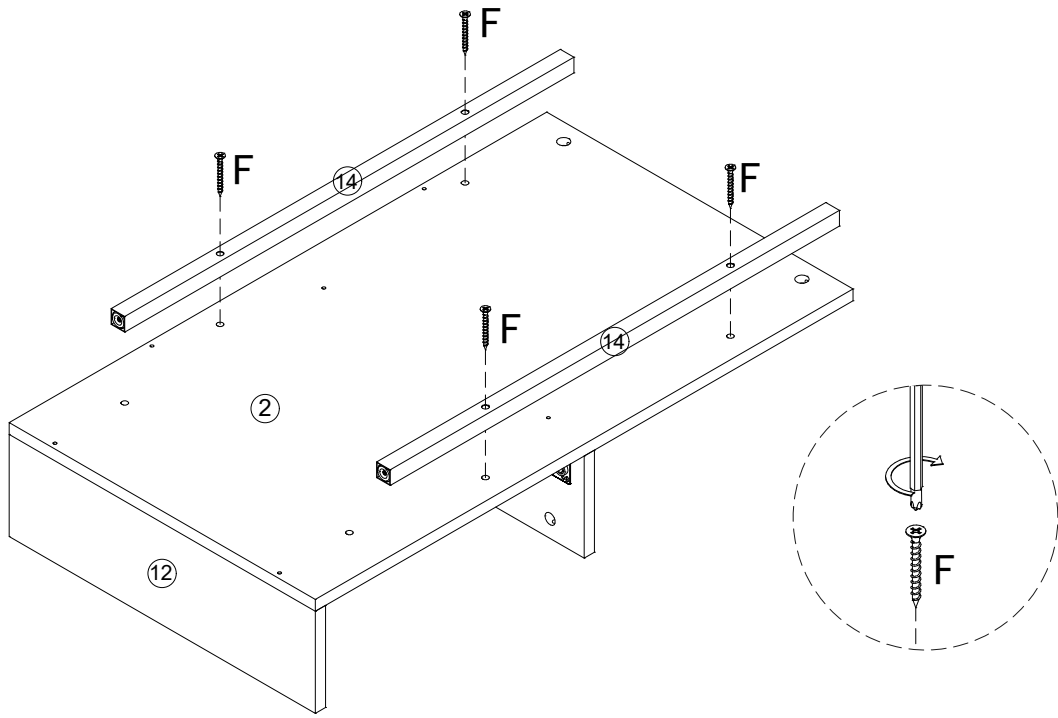
			
Ⓐ × 1pc	Ⓒ × 9pcs M3.5x14mm	Ⓗ × 2 pcs	Ⓙ × 1pc

STEP 2

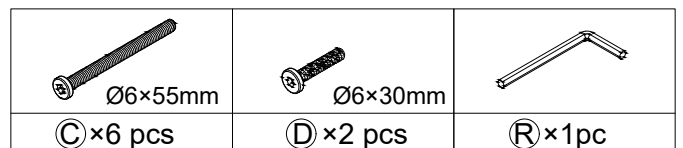
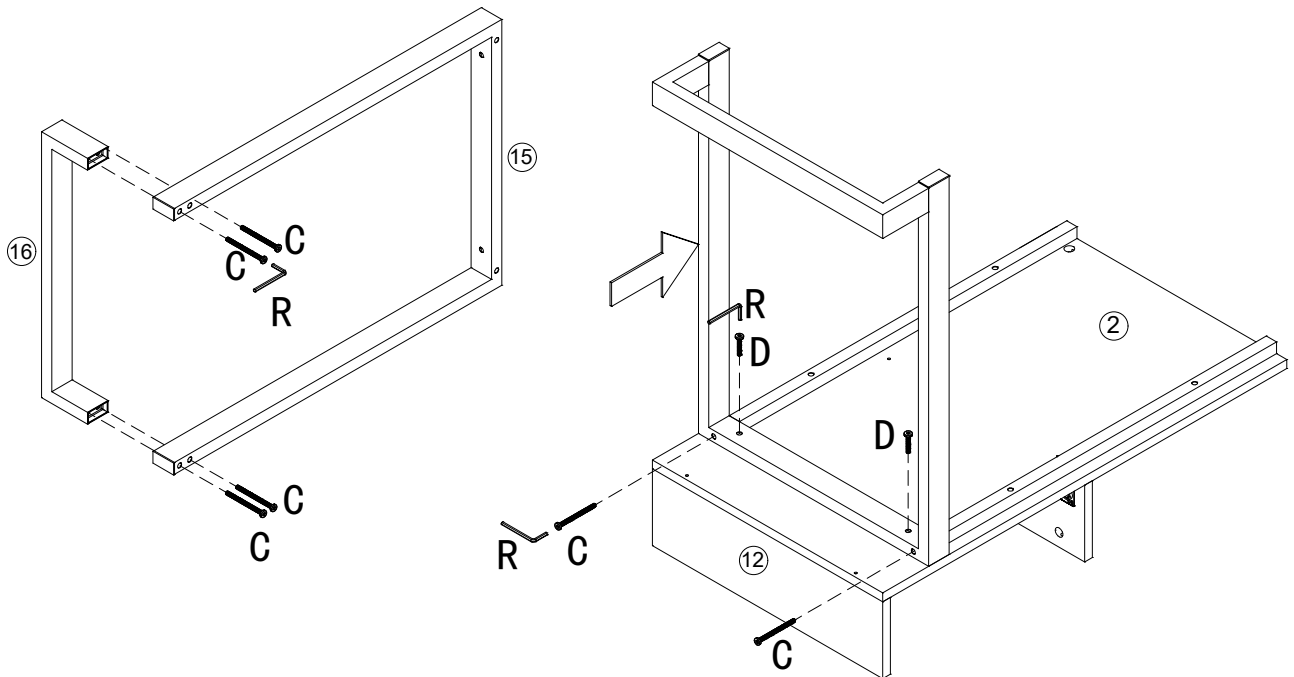


		
Ⓑ × 1pc	Ⓔ × 8pcs M6x30mm	Ⓕ × 6pcs M4x30mm

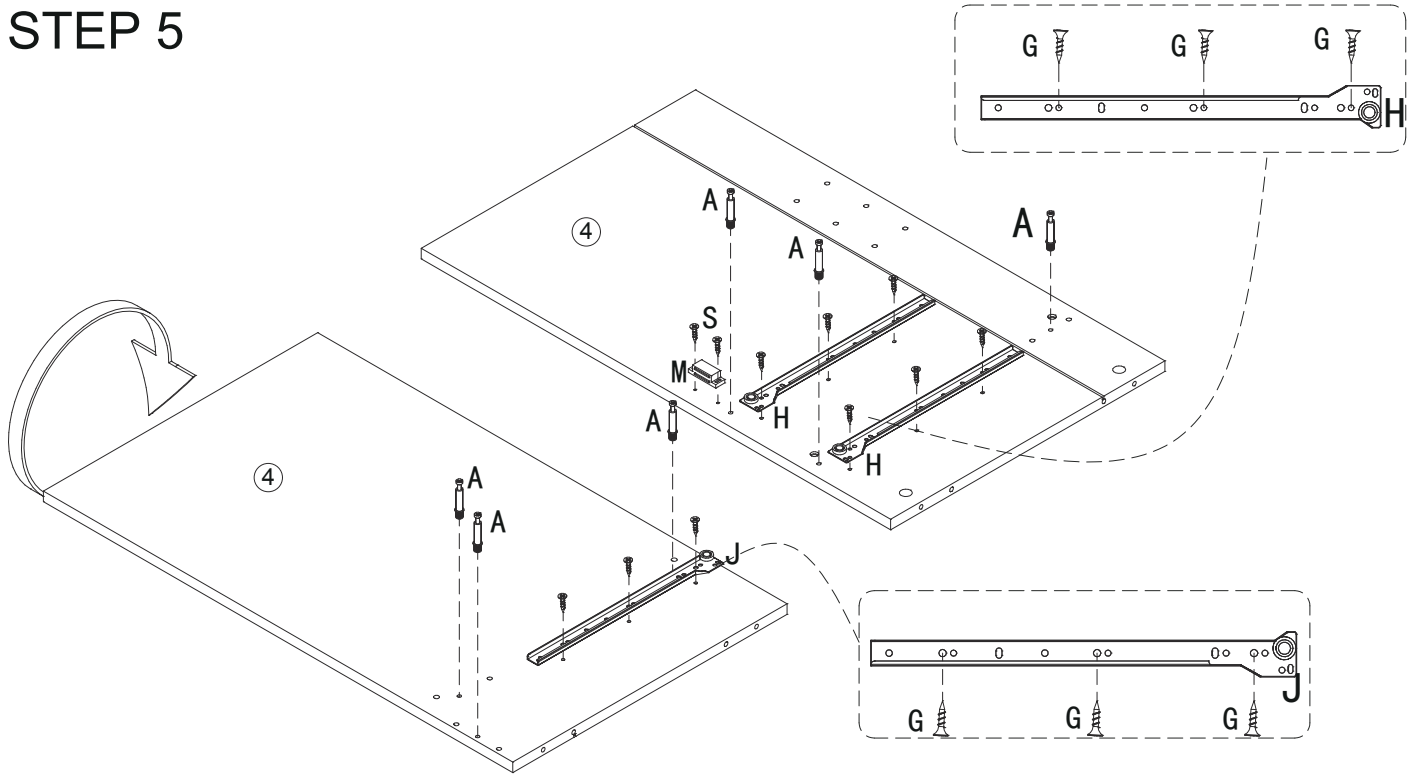
STEP 3

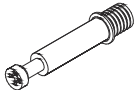


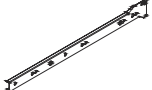
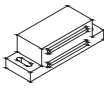



STEP 4

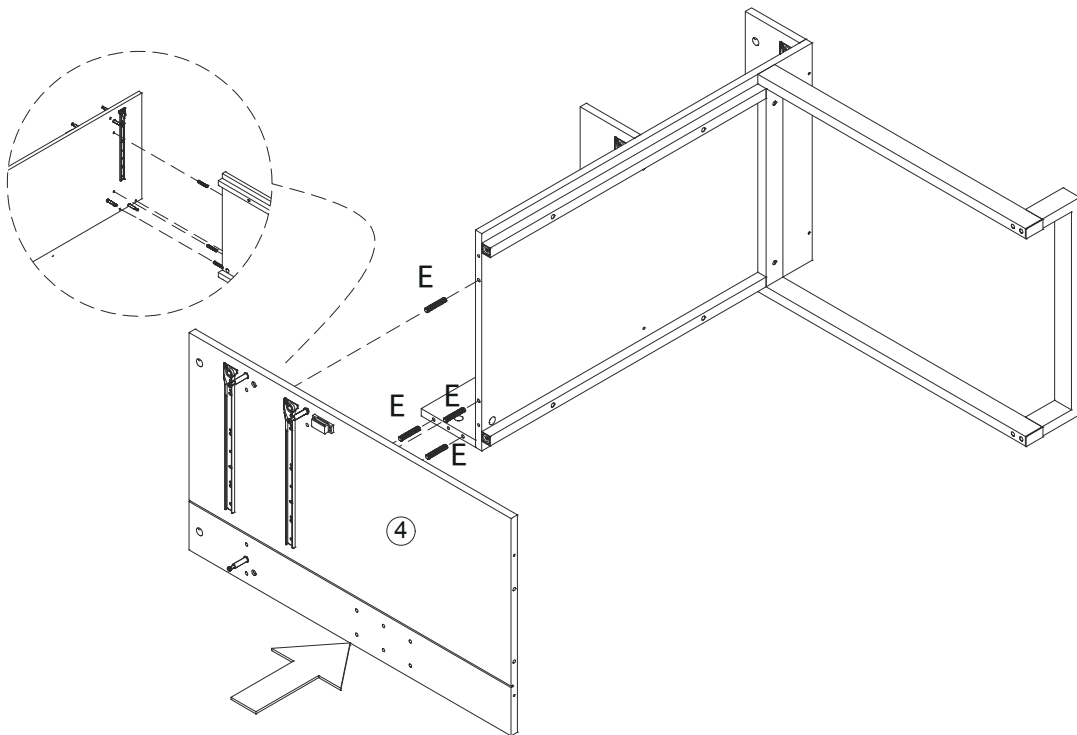



STEP 5



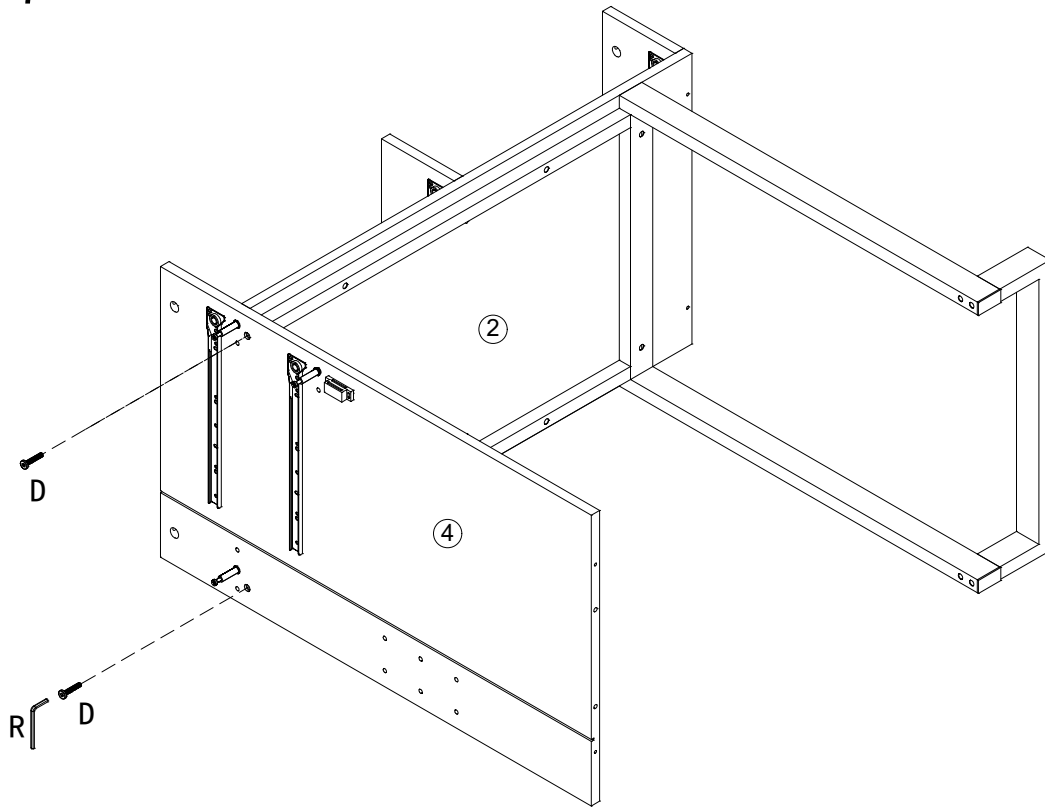
	 M3.5x14mm				
Ⓐ × 6 pcs	Ⓒ × 9 pcs	Ⓗ × 2 pcs	Ⓙ × 1 pc	Ⓜ × 1 pc	Ⓢ × 2 pcs



STEP 6



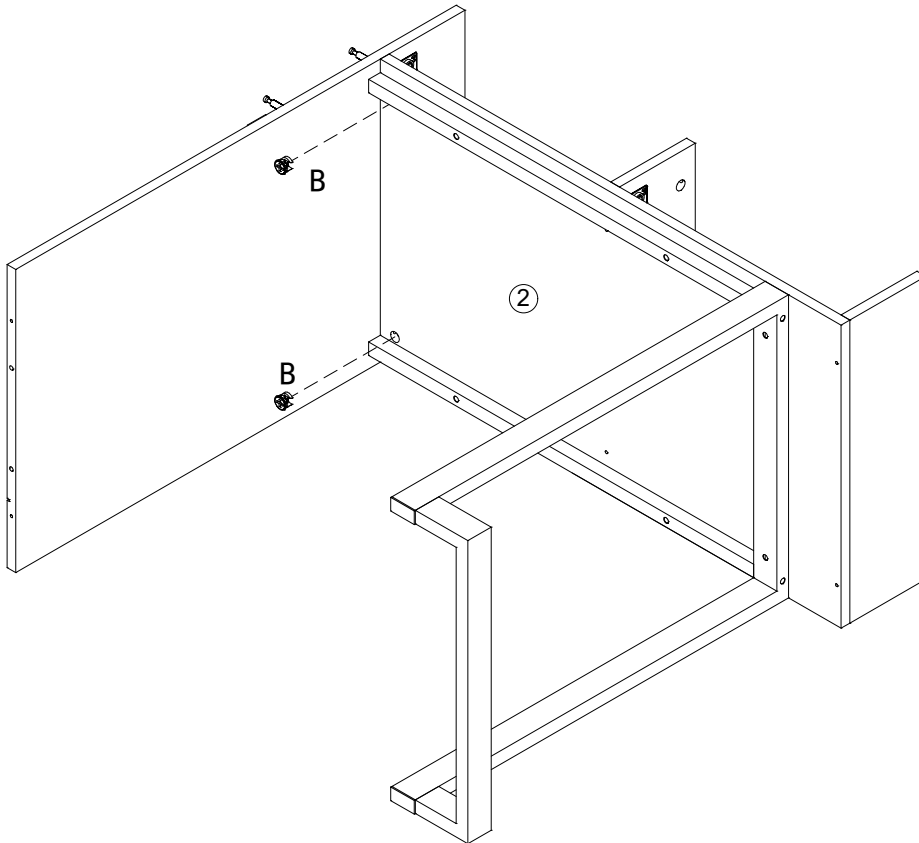
	M6x30mm
Ⓔ × 4 pcs	


STEP 7



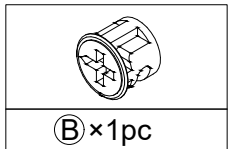
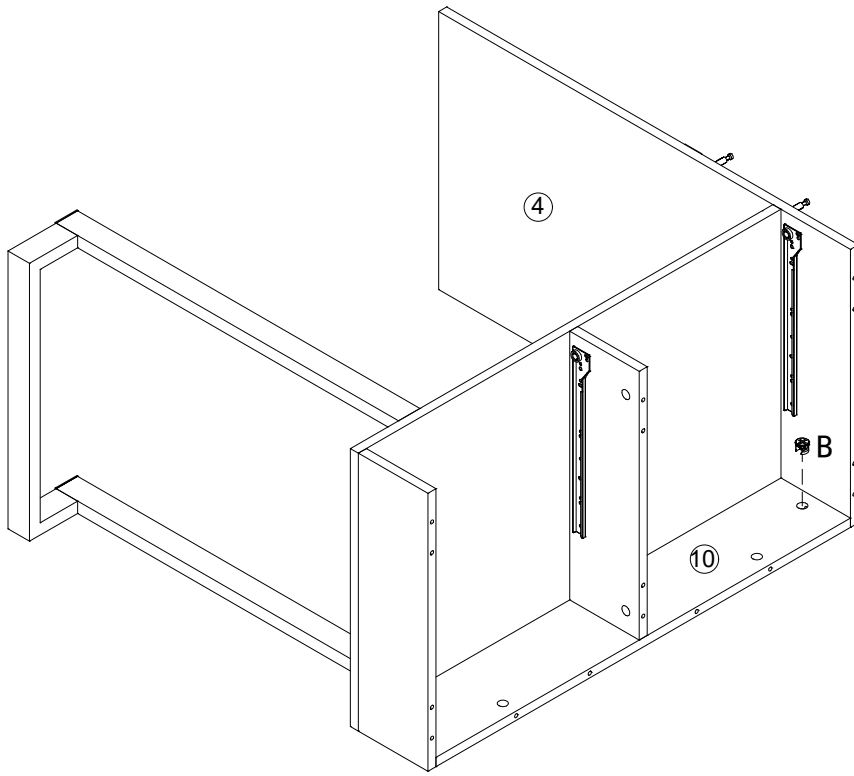
 Ø6×30mm	
ⓓ ×2 pcs	Ⓡ ×1pc

STEP 8

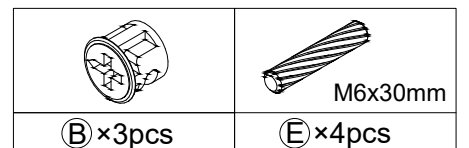
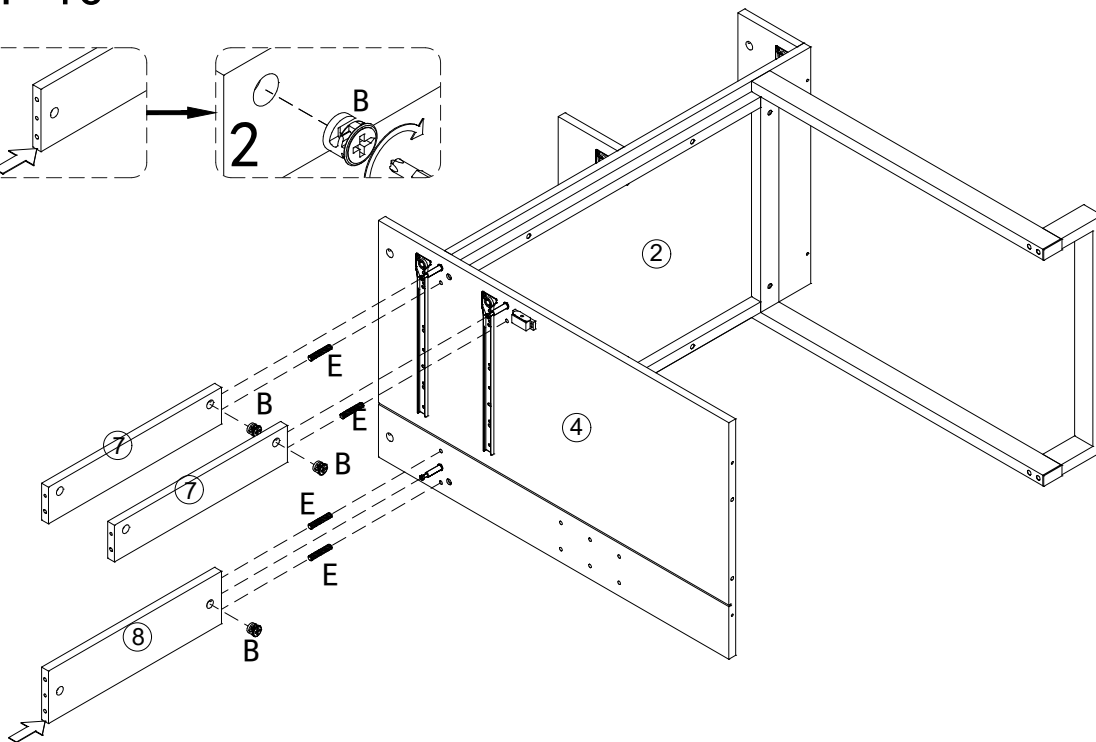
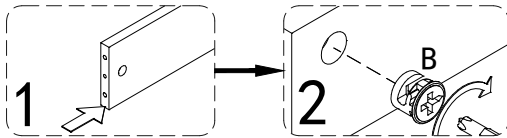



ⓑ ×2pcs

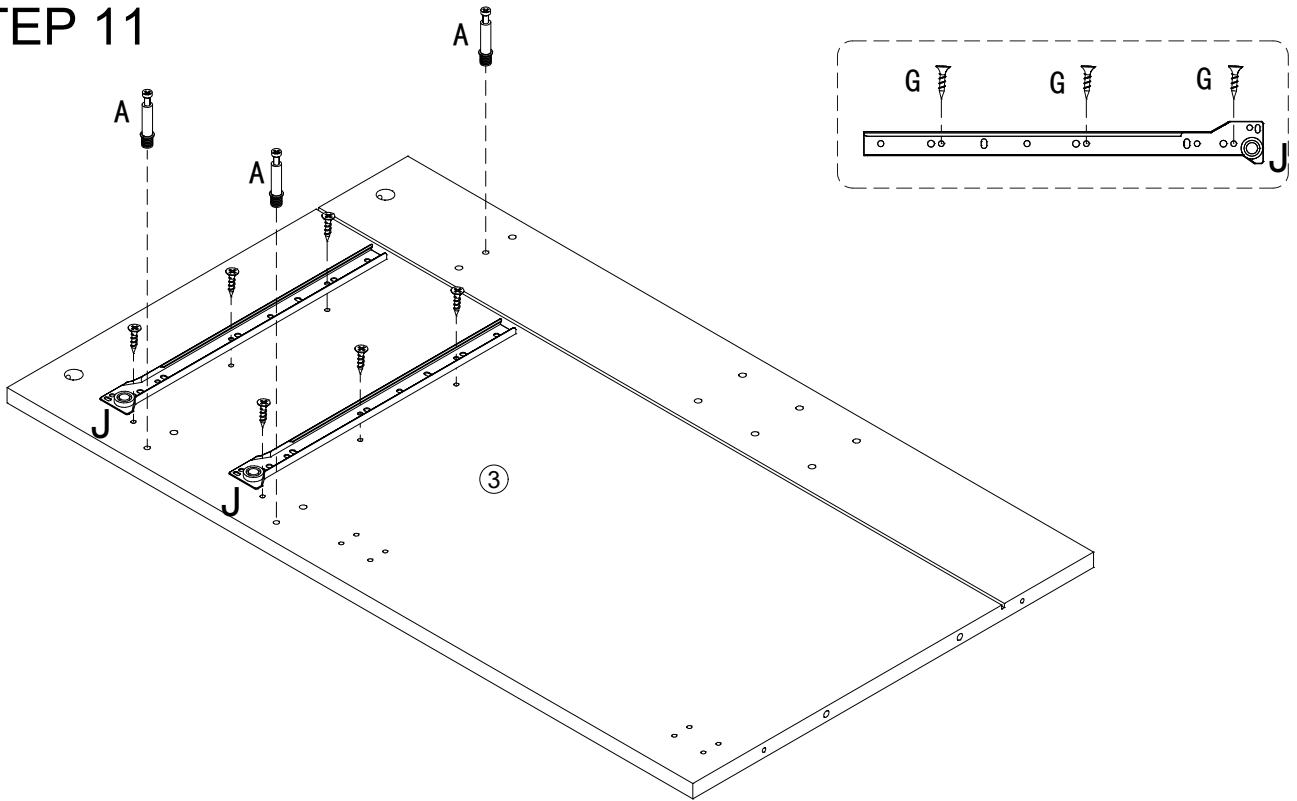
STEP 9

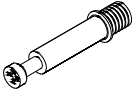
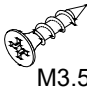
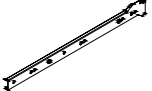


STEP 10

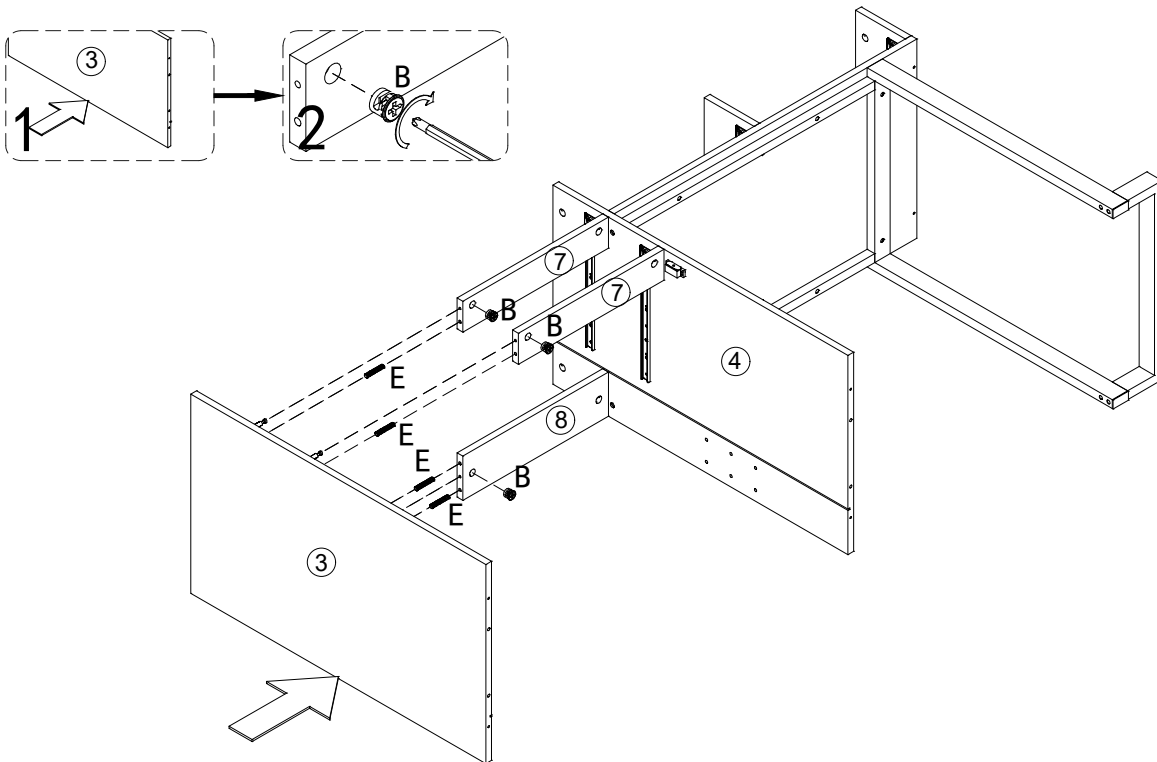




STEP 11



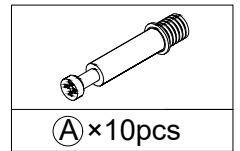
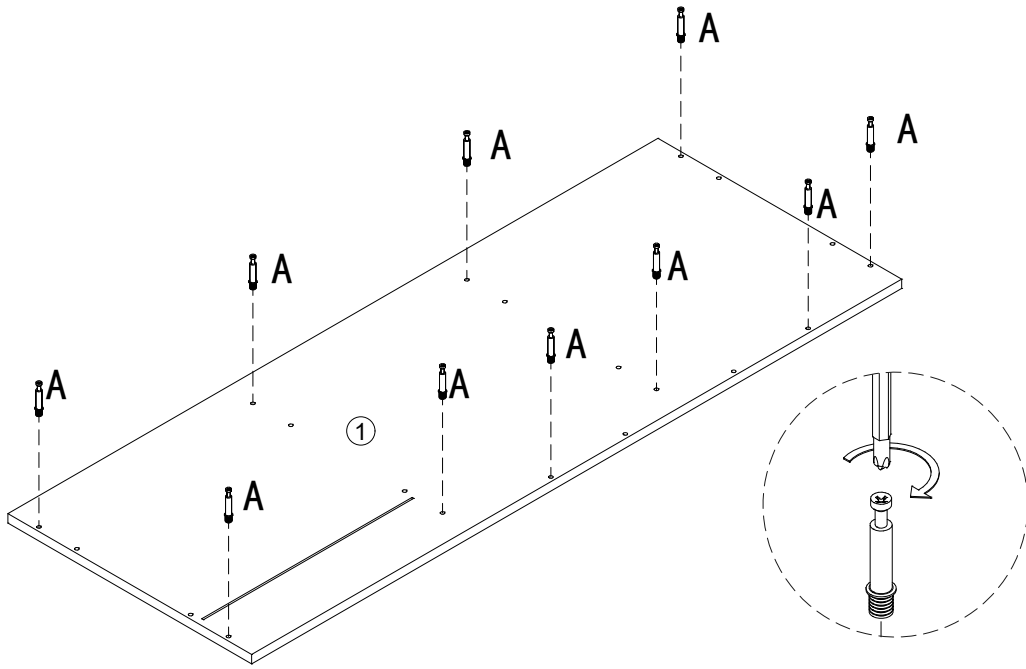
		
Ⓐ × 3 pcs	M3.5x14mm Ⓒ × 6 pcs	Ⓙ × 2 pcs

STEP 12

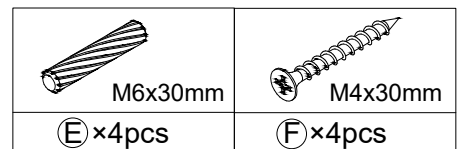
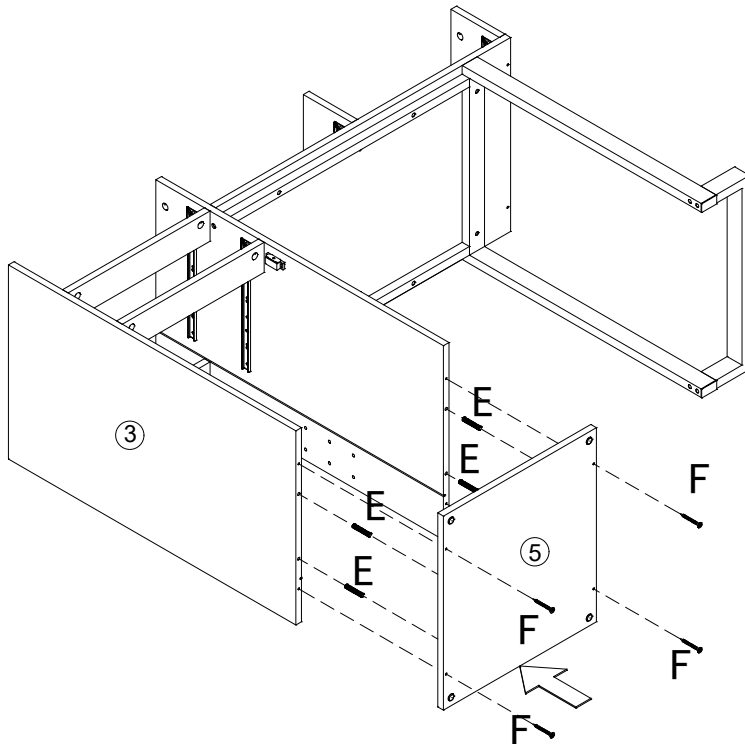


	
Ⓑ × 3 pcs	M6x30mm Ⓔ × 4 pcs

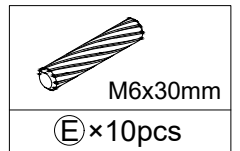
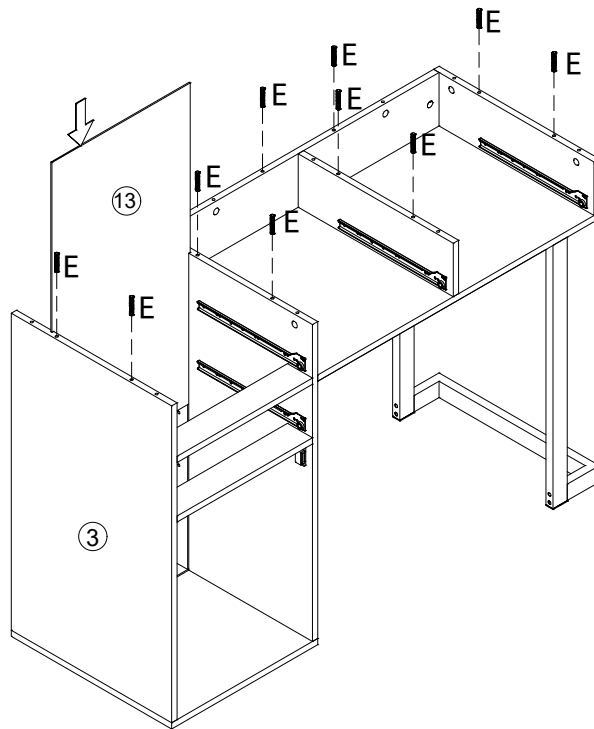
STEP 13



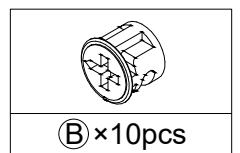
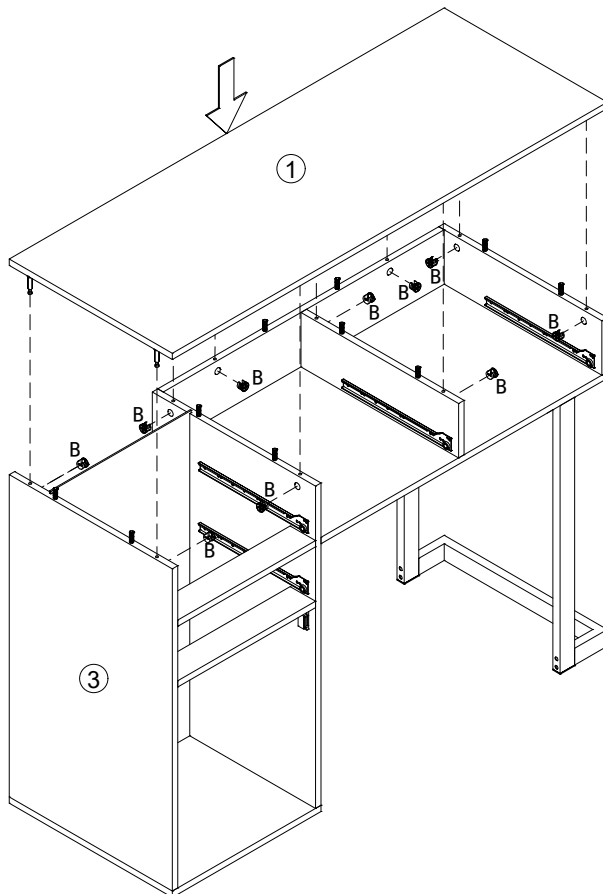
STEP 14



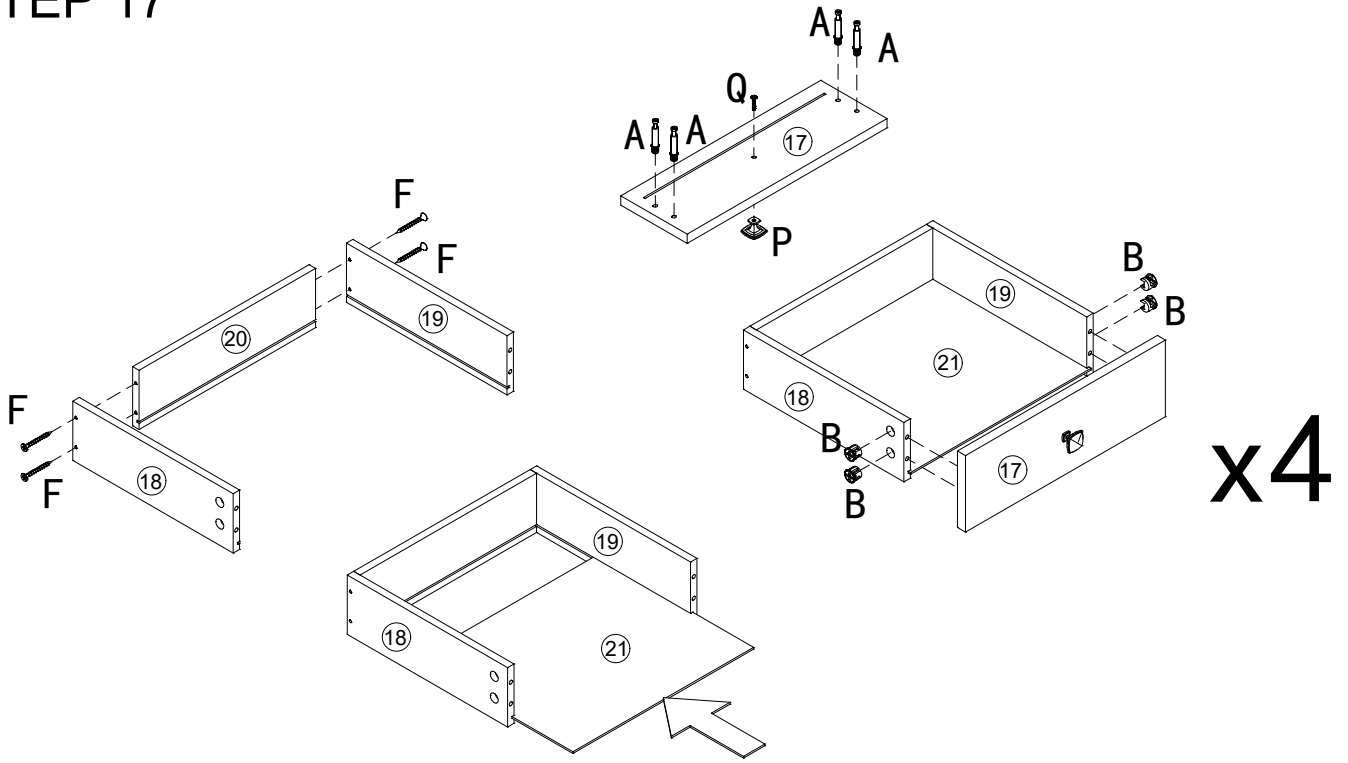
STEP 15

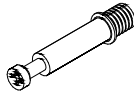


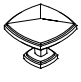



STEP 16

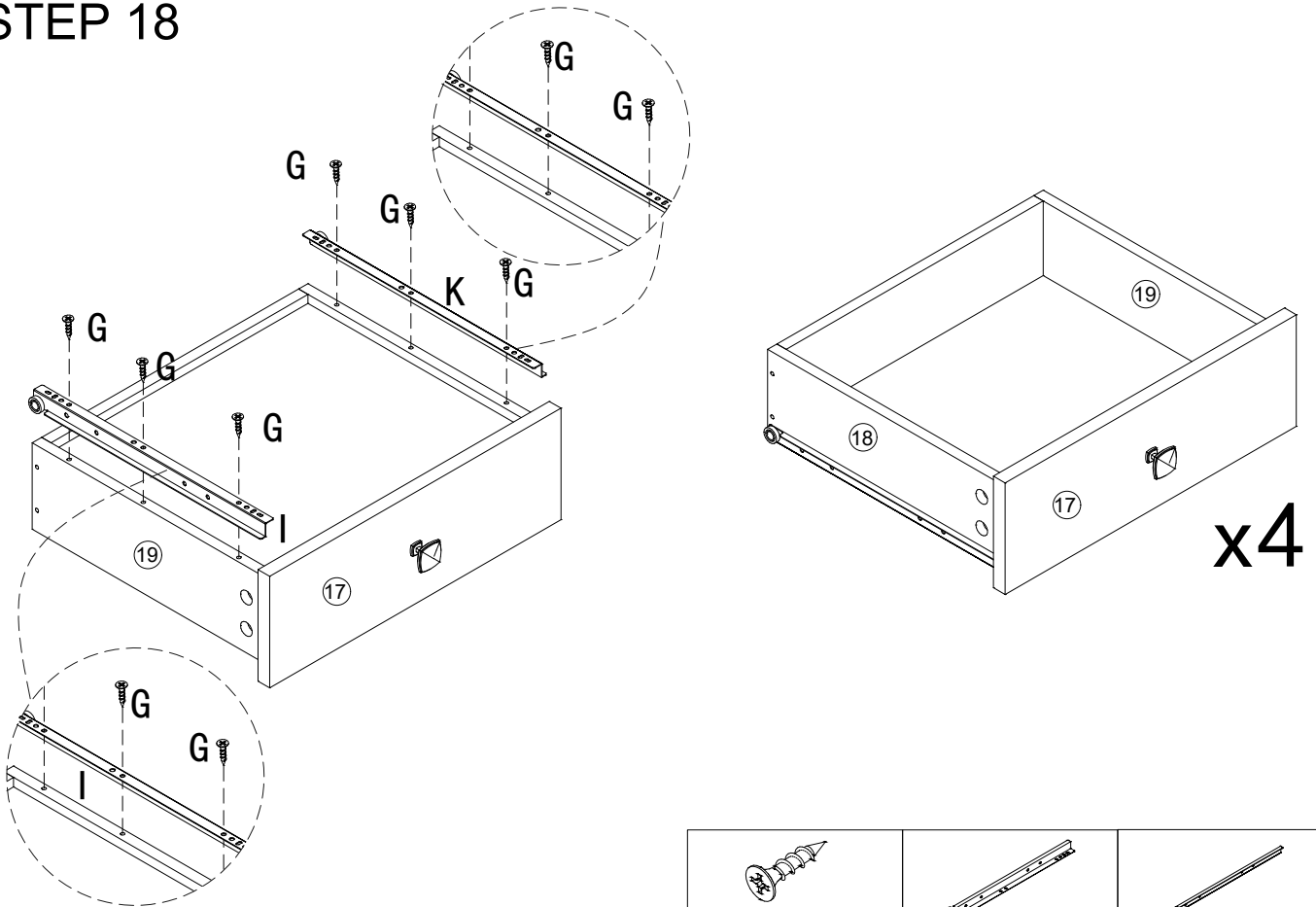



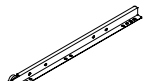

STEP 17



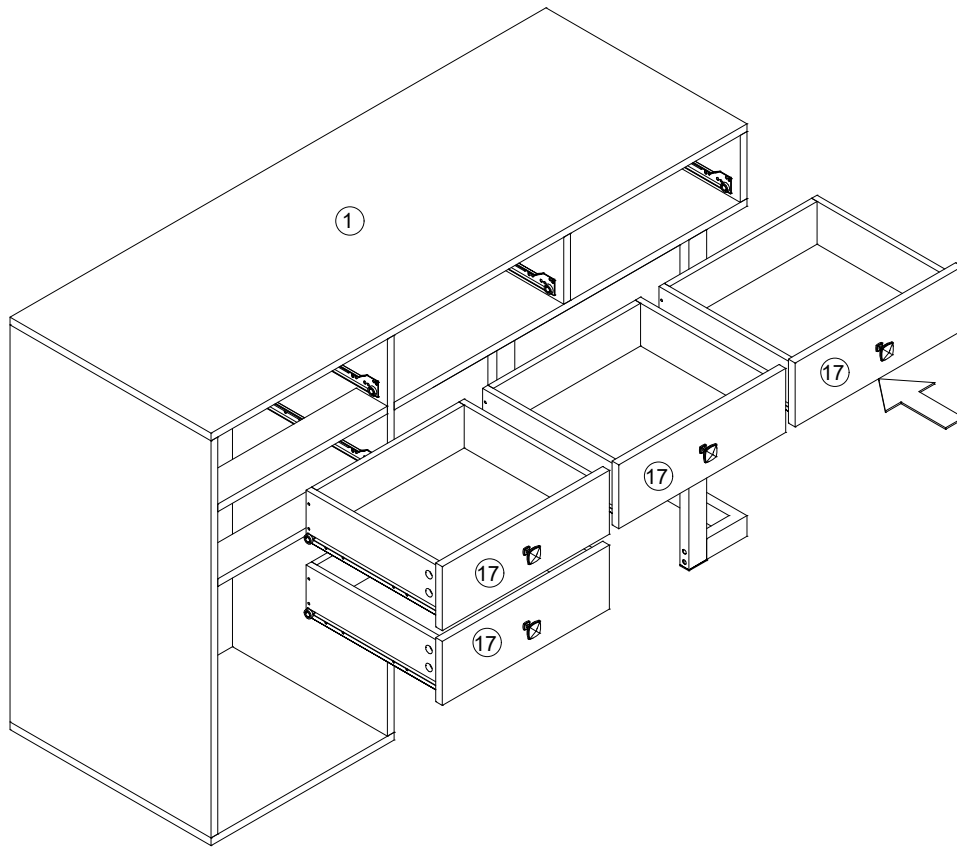
		 M4x30mm		
Ⓐ ×16pcs	Ⓑ ×16pcs	Ⓕ ×16pcs	Ⓖ ×4pcs	Ⓖ ×4pcs

STEP 18

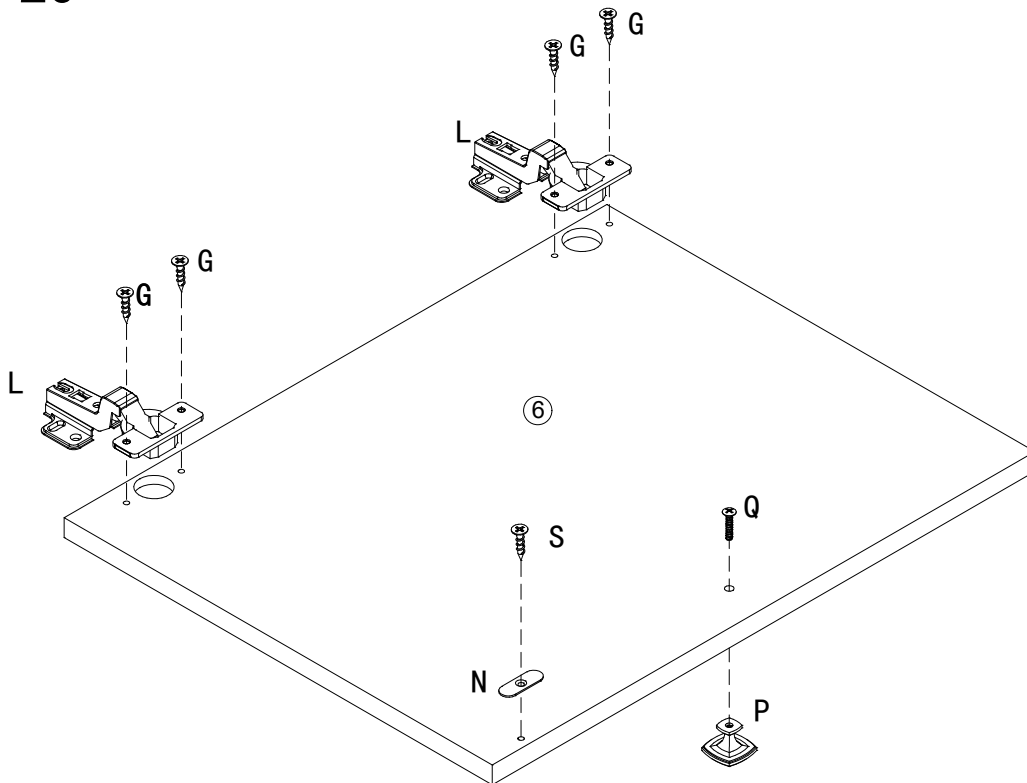







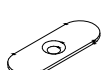
 M3.5x14mm		
Ⓖ ×24pcs	Ⓖ ×4 pcs	Ⓖ ×4pcs

STEP 19

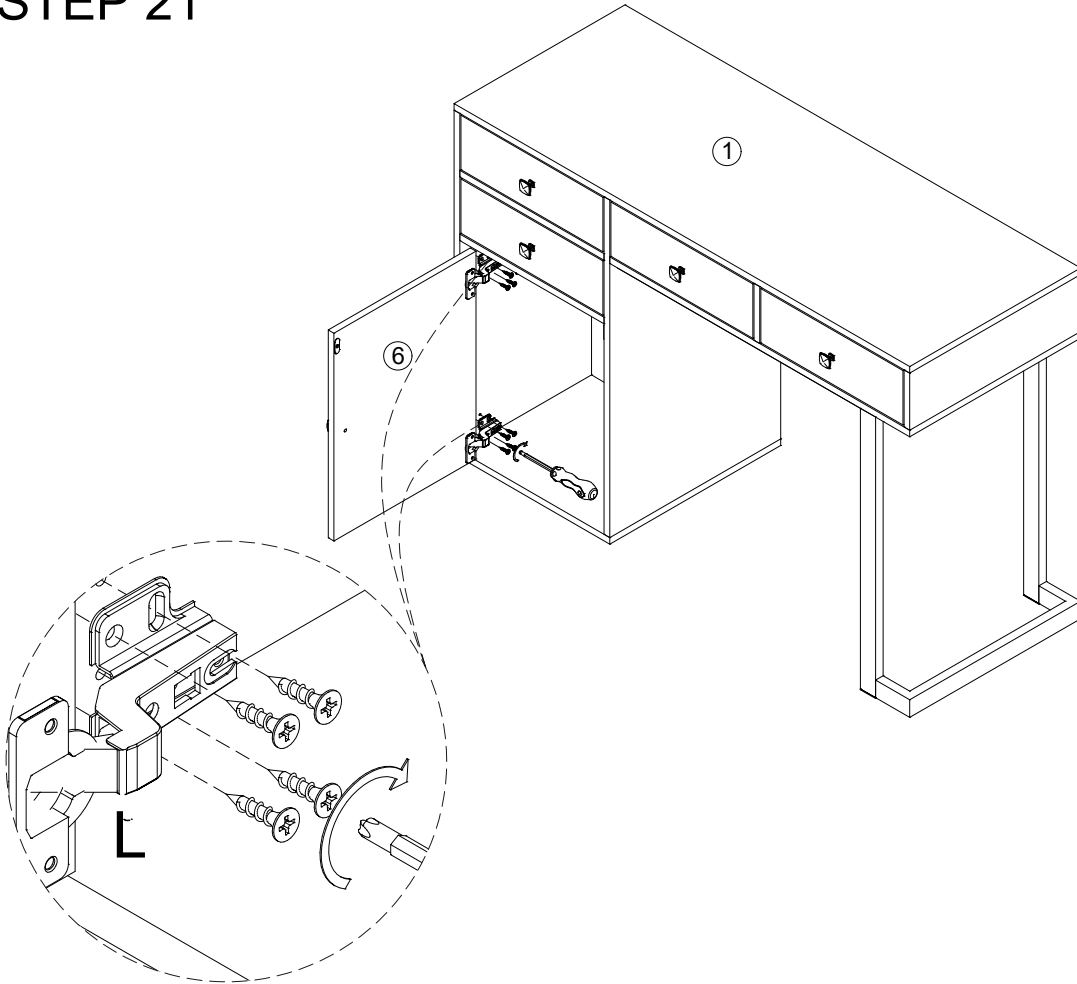


STEP 20



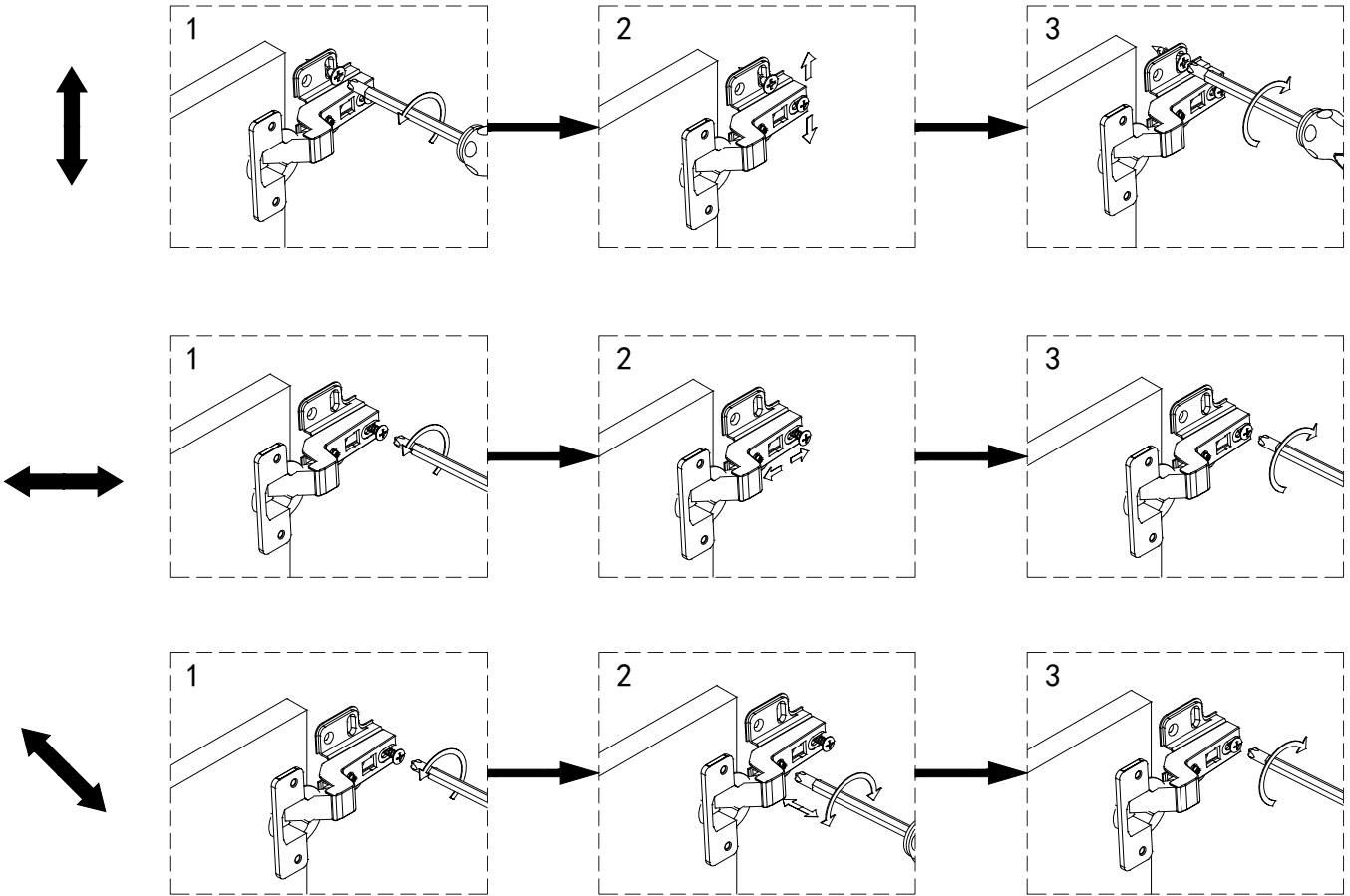
					
M3.5x14mm					
Ⓒ × 4 pcs	Ⓕ × 2 pcs	⒫ × 1 pc	Ⓖ × 1 pc	Ⓒ × 1 pc	Ⓓ × 1 pc

STEP 21

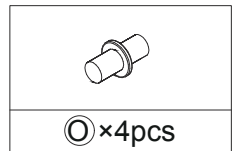
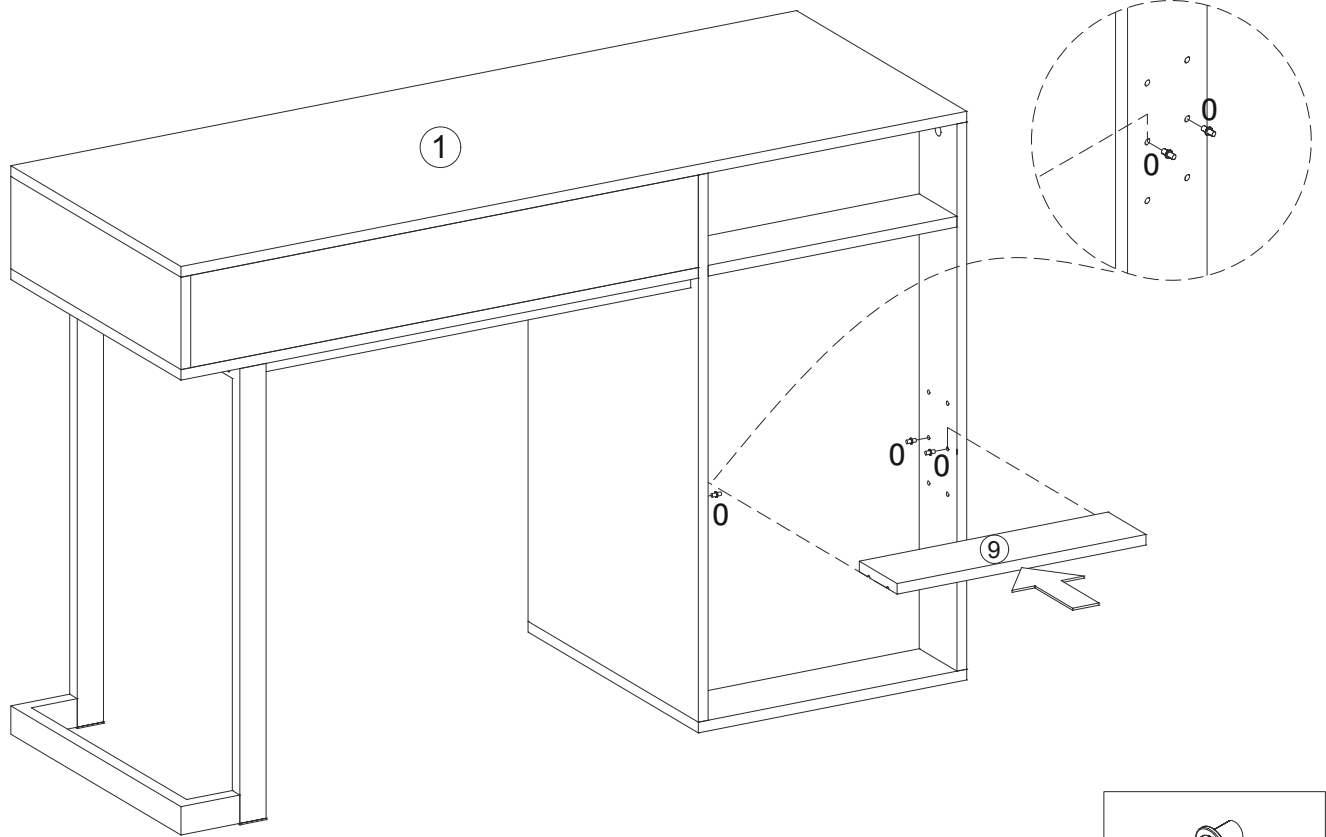


M3.5x14mm
8 pcs

STEP 22



STEP 23



STEP 24

