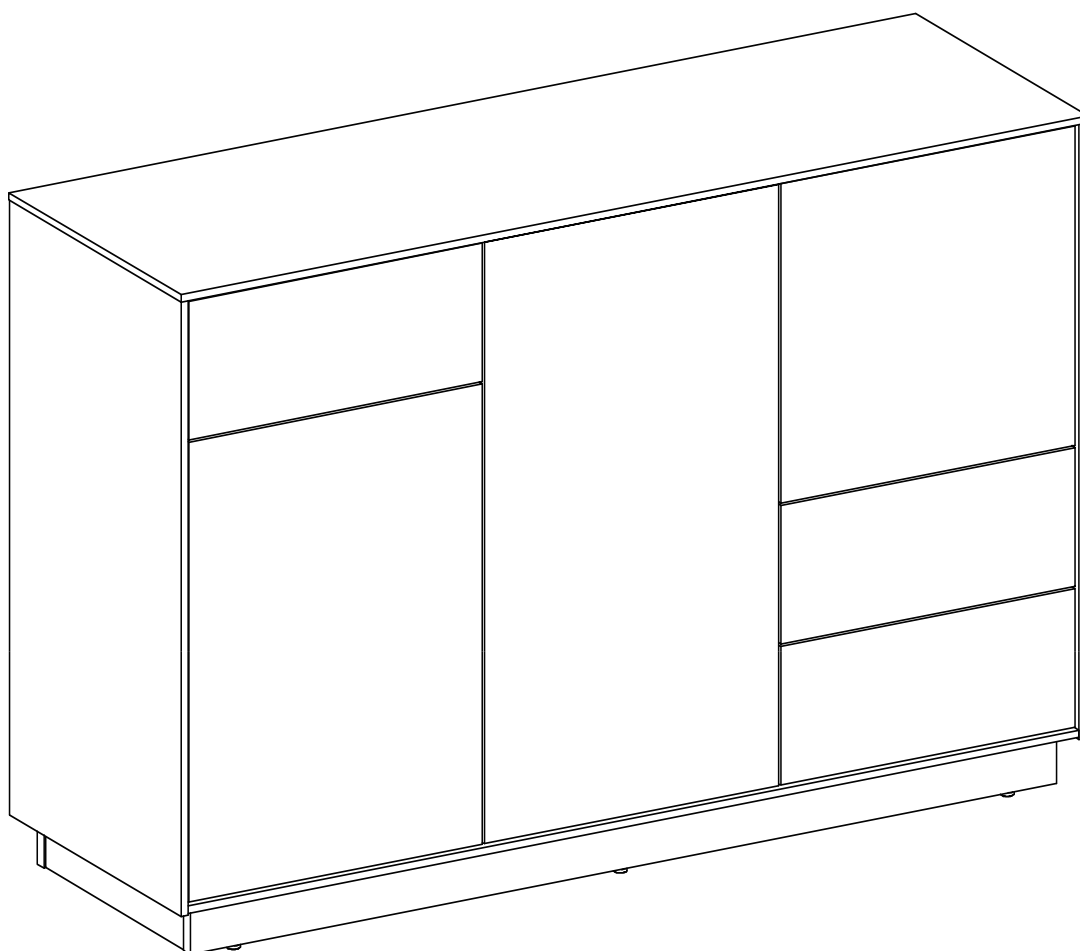


# ASSEMBLY INSTRUCTIONS

# EEI-6597

V1.10.10.23



**Questions? Contact us!**

609.256.9000 • [cs@modway.com](mailto:cs@modway.com)  
[www.modway.com](http://www.modway.com)

**\*modway**

# Let's get started!

\*modway



Read through all of the instructions before starting



Care instructions are listed in the last step of this manual



Approx. 90 minutes assembly time



Make sure you have all parts and components before discarding any packing materials



2 people recommended for assembly

Only use hand tools to assemble this item. Do not use power tools. Do not tighten bolts or screws completely until all hardware is lined up and inserted into the holes.

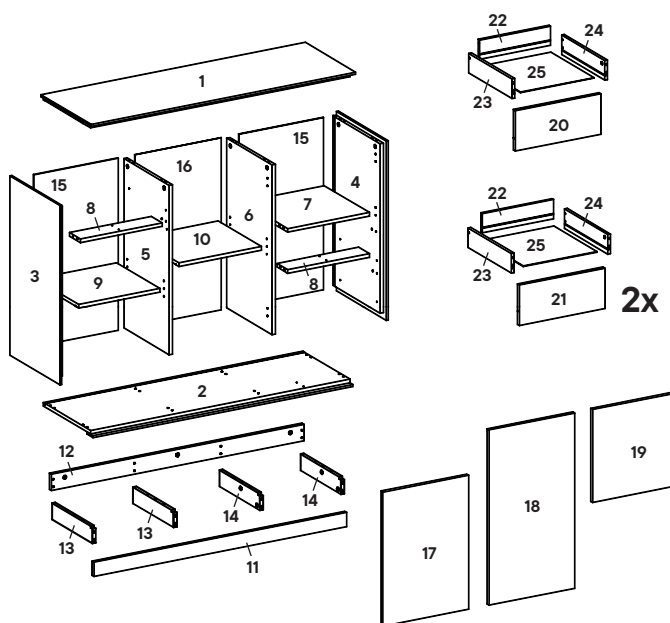
Do not over-tighten screws and bolts to avoid stripping the hardware or cracking the item.

Assemble your item on a flat, carpeted area, with plenty of space to work. This will prevent damage and scratches to your floors or the item while you're assembling the product.

Keep all components and packaging out of reach of children or animals to avoid risk of choking or suffocation.

## Furniture components:

1	Top Board	x1	14	Bottom Right Support	x2
2	Bottom Board	x1	15	Side Backboard	x2
3	Left Board	x1	16	Middle Backboard	x1
4	Right Board	x1	17	Left Door	x1
5	Divider Left Board	x1	18	Middle Door	x1
6	Divider Right Board	x1	19	Right Door	x1
7	Fix Shelf	x1	20	Left Front Drawer	x1
8	Drawer Support	x2	21	Right Front Drawer	x2
9	Left Adjust Shelf	x1	22	Rear Drawer	x3
10	Right Adjust Shelf	x1	23	Left Drawer	x3
11	Bottom Front Support	x1	24	Right Drawer	x3
12	Bottom Rear Support	x1	25	Bottom Drawer	x3
13	Bottom Left Support	x2			



## Provided hardware:

A		Cam Lock Ø15 mm	x30	I		Cam Lock Ø12 mm	x6	Q		Door Hinge	x2
B		Cam Bolt Ø7.5 x 32 mm	x36	J		Drawer Rail	x3	R		Door Hinge	x4
C		Cam Cover Ø17 mm	x30	K		Cam Cover Ø15 mm	x6				
D		Plastic Dowel M8 x 32 mm	x56	L		Backply Stopper	x30				
E		Screw M6 x 8 mm	x24	M		Screw M4 x 19 mm	x34				
F		Screw M6 x 13 mm	x18	N		Wall Bracket Set	x1				
G		Screw M10 x 33.5 mm	x18	O		Push To Open	x6				
H		Shelf Pin M7 x 16.5 mm	x8	P		Rear Panel Clamp	x4				

## What you need:

Phillips Head Screwdriver

Wait!

Missing parts or hardware? Need assistance?  
Contact us before returning your item. We're here to help!  
609.256.9000 • cs@modway.com

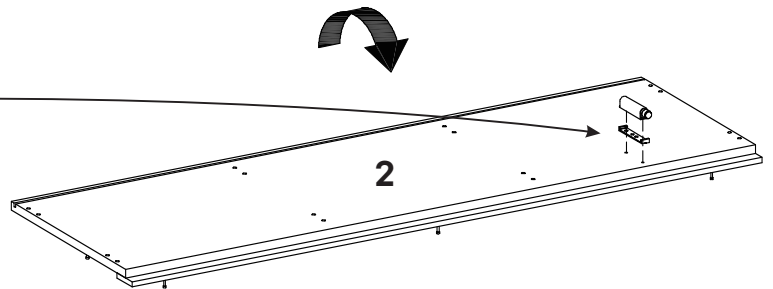
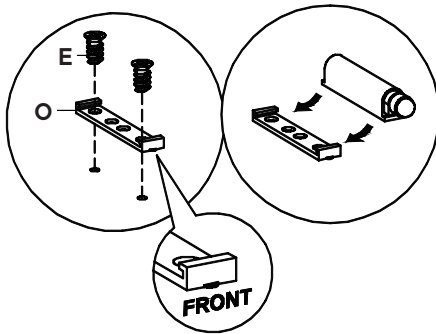
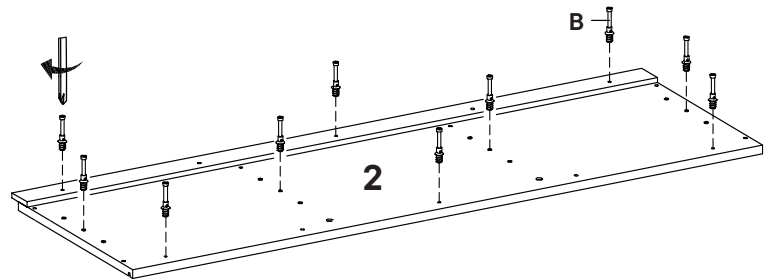
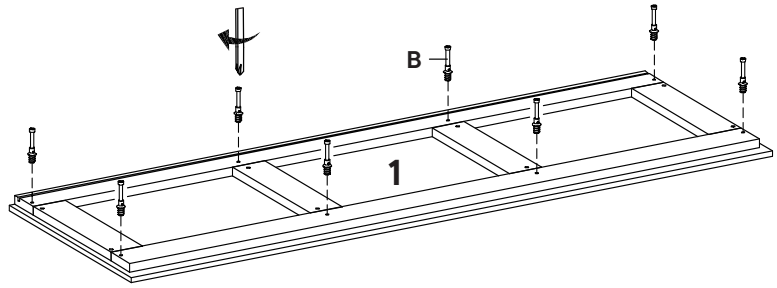
# Step 1

## HARDWARE

- B** Cam Bolt Ø7.5 x 32 mm x18
- E** Screw M6 x 8 mm x2
- O** Push To Open x1

## COMPONENTS

- 1** Top Board x1
- 2** Bottom Board x1



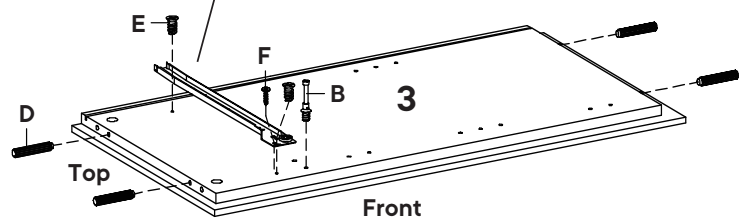
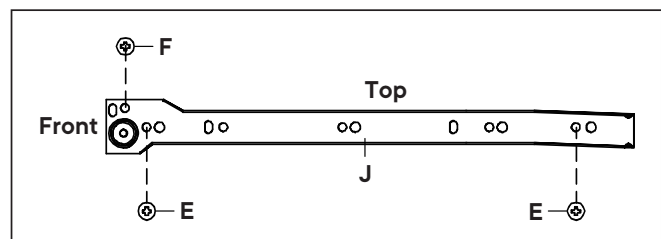
# Step 2

## HARDWARE

- B** Cam Bolt Ø7.5 x 32 mm x1
- D** Plastic Dowel M8 x 32 mm x4
- E** Screw M6 x 8 mm x2
- F** Screw M6 x 13 mm x1
- J** Drawer Rail x1

## COMPONENTS

- 3** Left Board x1



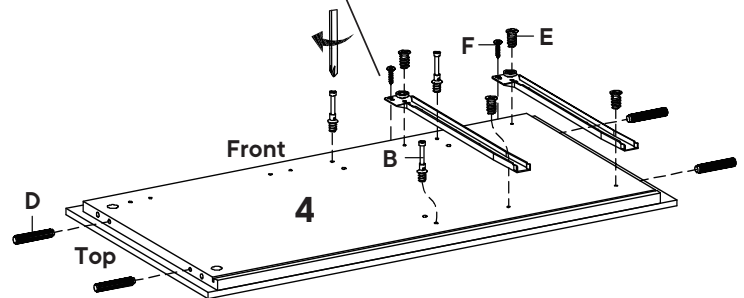
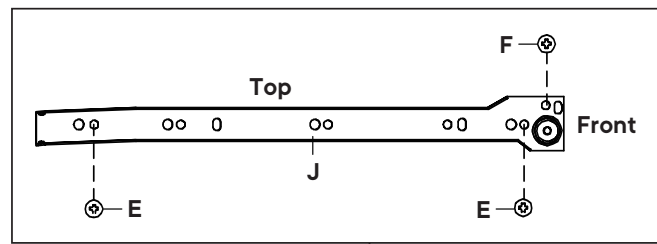
# Step 3

## HARDWARE

- B** Cam Bolt  $\varnothing 7.5 \times 32$  mm x3
- D** Plastic Dowel M8 x 32 mm x4
- E** Screw M6 x 8 mm x4
- F** Screw M6 x 13 mm x2
- J** Drawer Rail x2

## COMPONENTS

- 4** Right Board x1



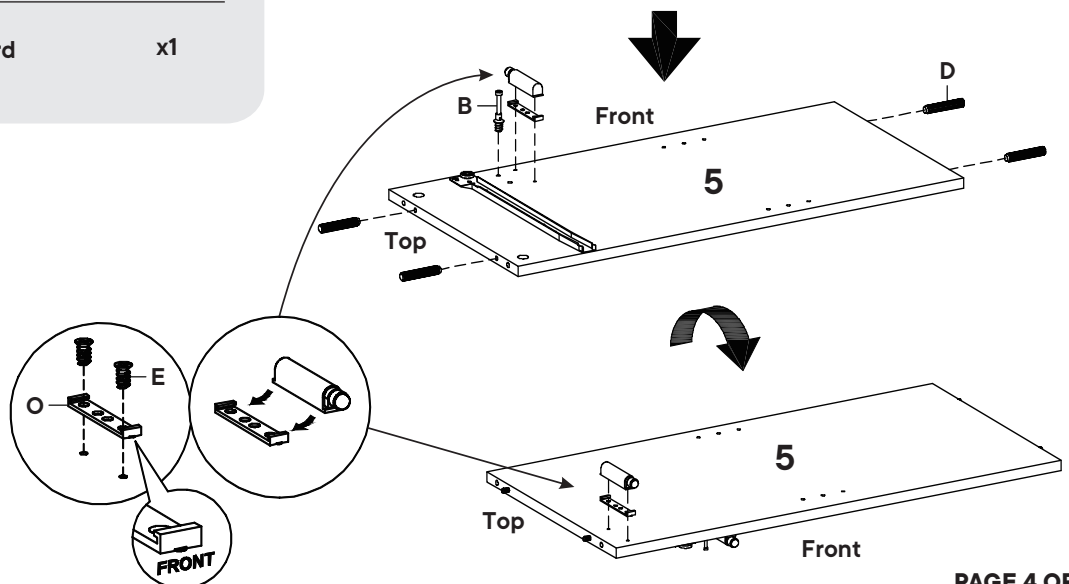
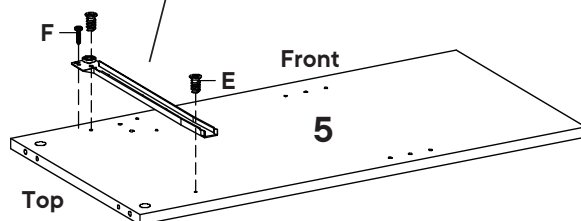
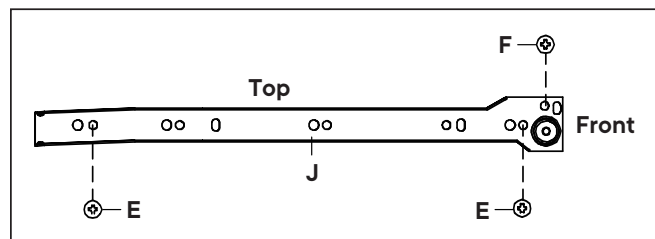
# Step 4

## HARDWARE

- B** Cam Bolt  $\varnothing 7.5 \times 32$  mm x1
- D** Plastic Dowel M8 x 32 mm x4
- E** Screw M6 x 8 mm x6
- F** Screw M6 x 13 mm x1
- J** Drawer Rail x1
- O** Push To Open x2

## COMPONENTS

- 5** Divider Left Board x1



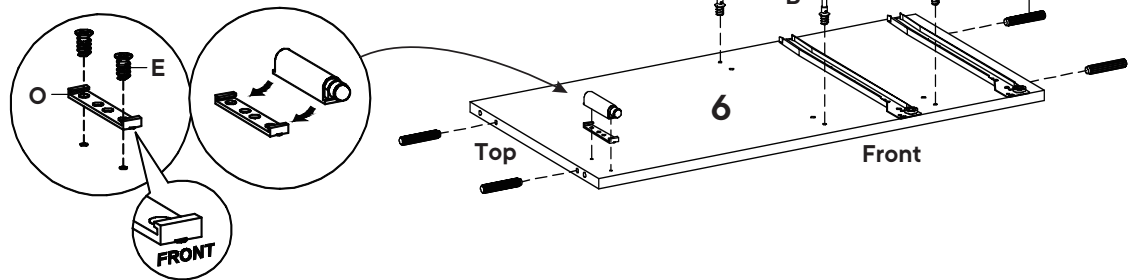
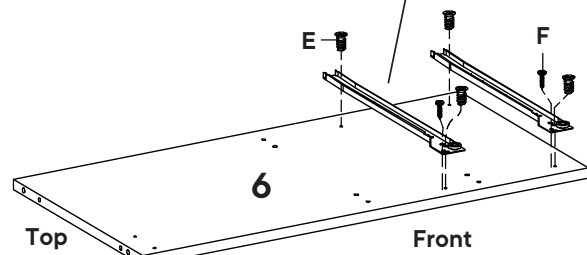
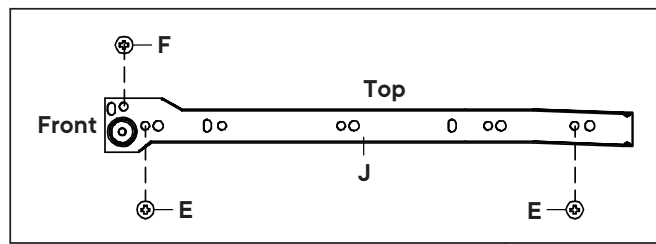
# Step 5

## HARDWARE

- B** Cam Bolt  $\varnothing 7.5 \times 32$  mm x3
- D** Plastic Dowel M8 x 32 mm x4
- E** Screw M6 x 8 mm x6
- F** Screw M6 x 13 mm x2
- J** Drawer Rail x2
- O** Push To Open x1

## COMPONENTS

- 6** Divider Right Board x1



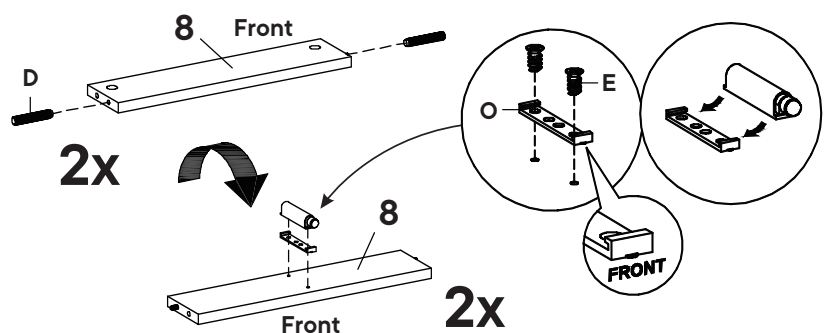
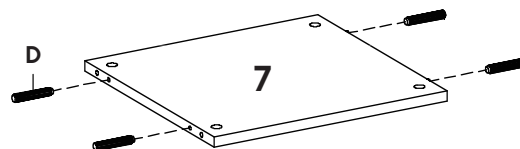
# Step 6

## HARDWARE

- D** Plastic Dowel M8 x 32 mm x8
- E** Screw M6 x 8 mm x4
- O** Push To Open x2

## COMPONENTS

- 7** Fix Shelf x1
- 8** Drawer Support x2



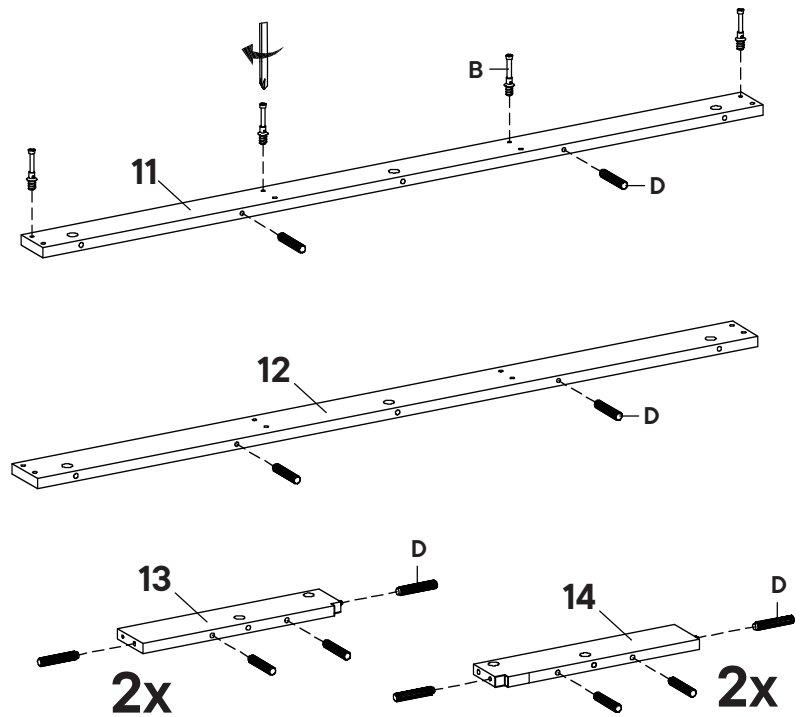
# Step 7

## HARDWARE

- B** Cam Bolt  $\varnothing 7.5 \times 32$  mm x4
- D** Plastic Dowel M8 x 32 mm x20

## COMPONENTS

- 11** Bottom Front Support x1
- 12** Bottom Rear Support x1
- 13** Bottom Left Support x2
- 14** Bottom Right Support x2



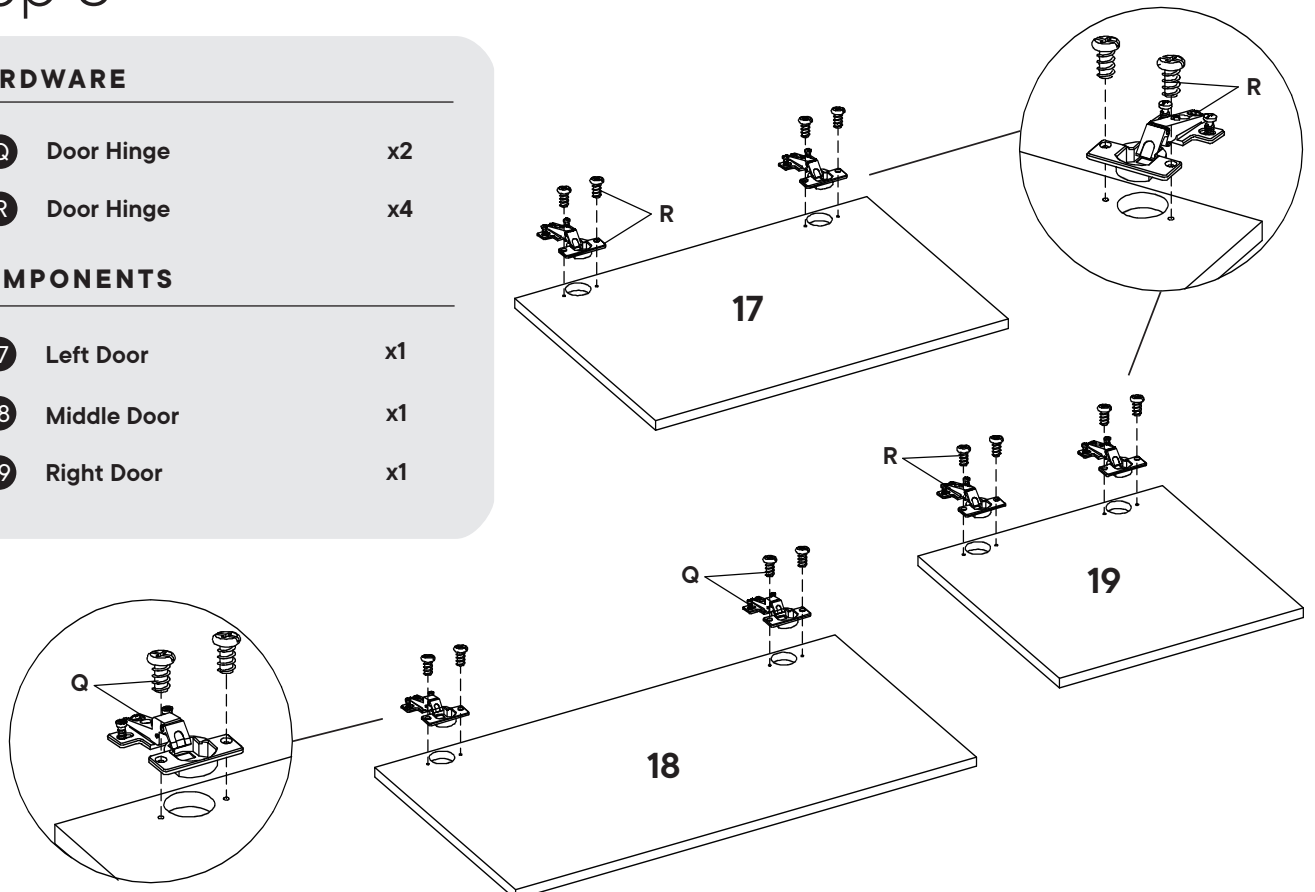
# Step 8

## HARDWARE

- Q** Door Hinge x2
- R** Door Hinge x4

## COMPONENTS

- 17** Left Door x1
- 18** Middle Door x1
- 19** Right Door x1



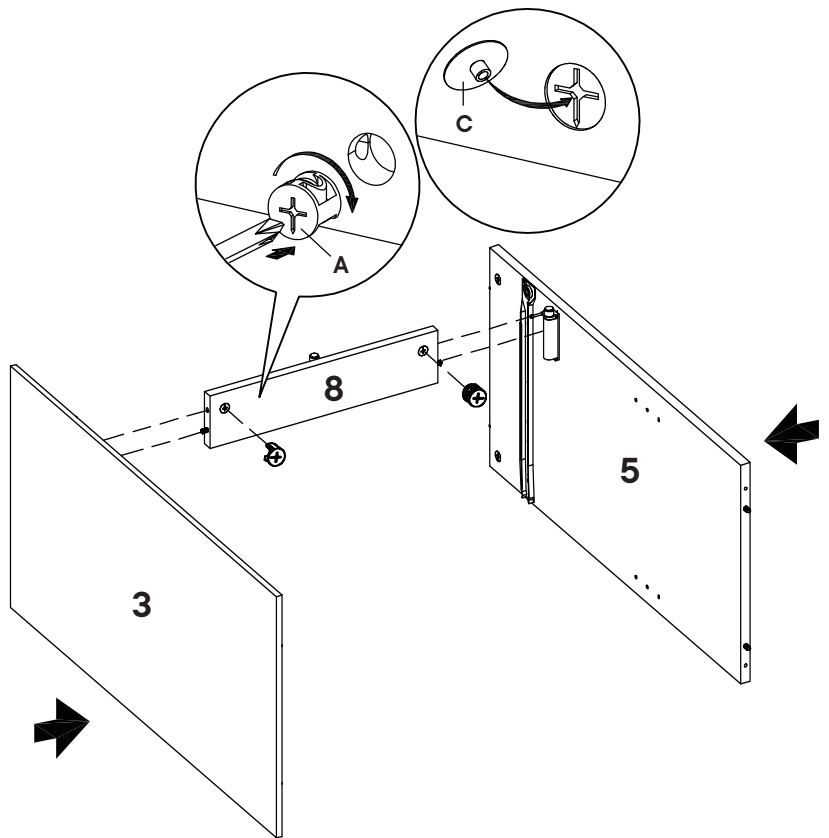
## Step 9

### HARDWARE

- A** Cam Lock Ø15 mm x2
- C** Cam Cover Ø17 mm x2

### COMPONENTS

- 3** Left Board x1
- 5** Divider Left Board x1
- 8** Drawer Support x1



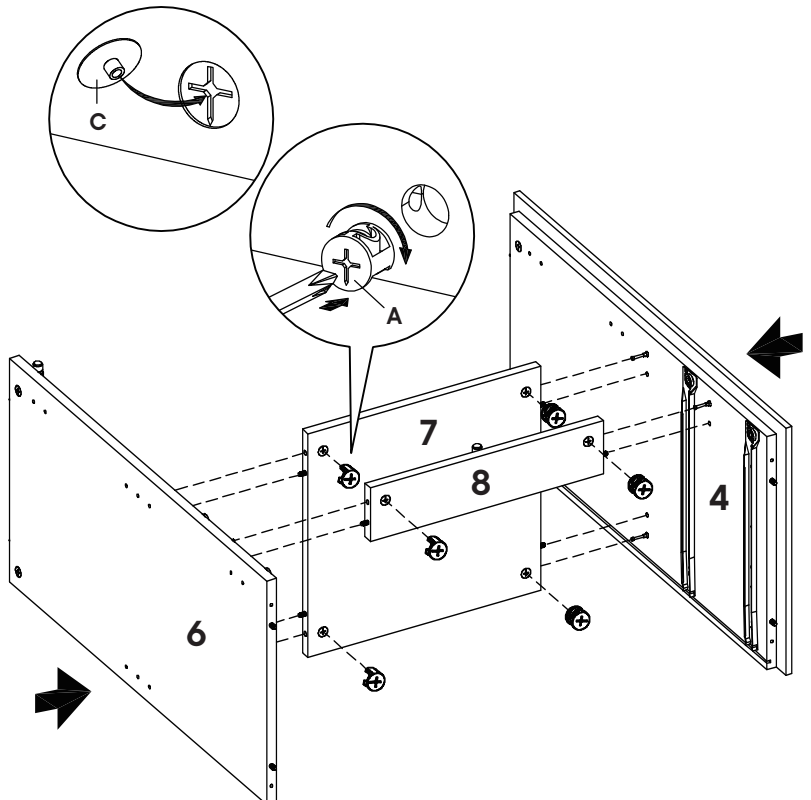
## Step 10

### HARDWARE

- A** Cam Lock Ø15 mm x6
- C** Cam Cover Ø17 mm x6

### COMPONENTS

- 4** Right Board x1
- 6** Divider Right Board x1
- 7** Fix Shelf x1
- 8** Drawer Support x1



# Step 11

## HARDWARE

**G** Screw M10 x33.5 mm x8

## COMPONENTS

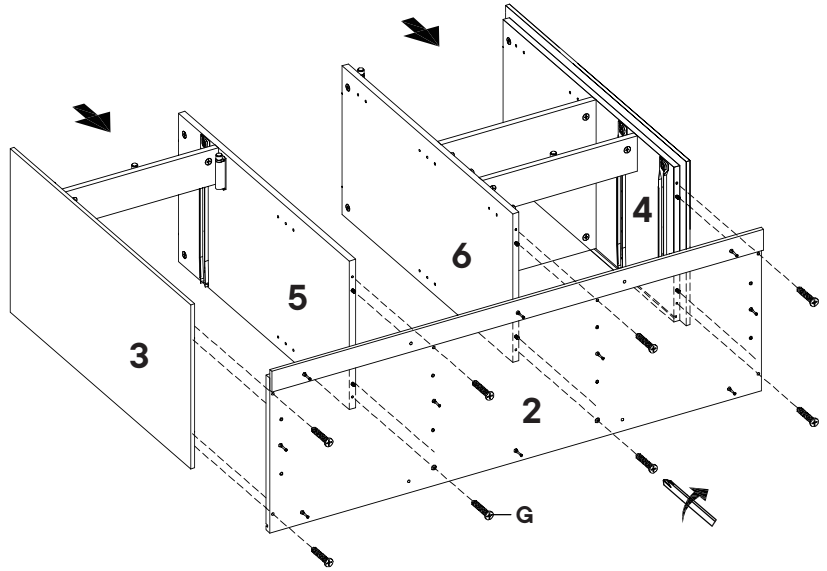
**2** Bottom Board x1

**3** Left Board x1

**4** Right Board x1

**5** Divider Left Board x1

**6** Divider Right Board x1



# Step 12

## HARDWARE

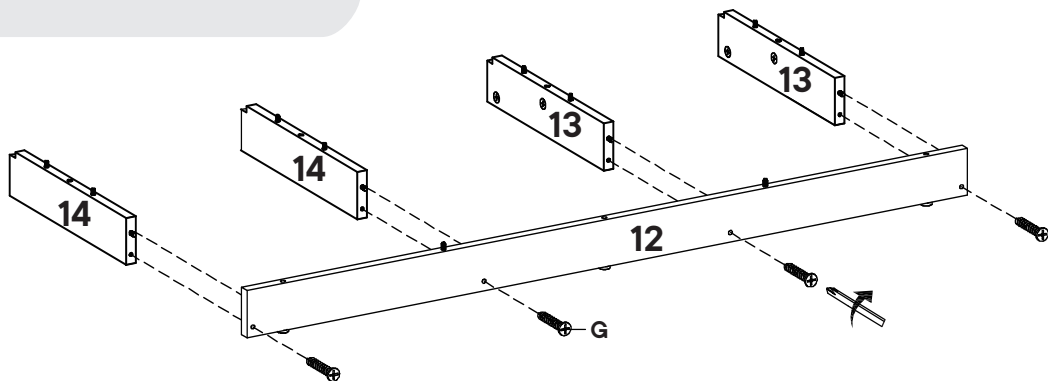
**G** Screw M10 x33.5 mm x4

## COMPONENTS

**12** Bottom Rear Support x1

**13** Bottom Left Support x2

**14** Bottom Right Support x2



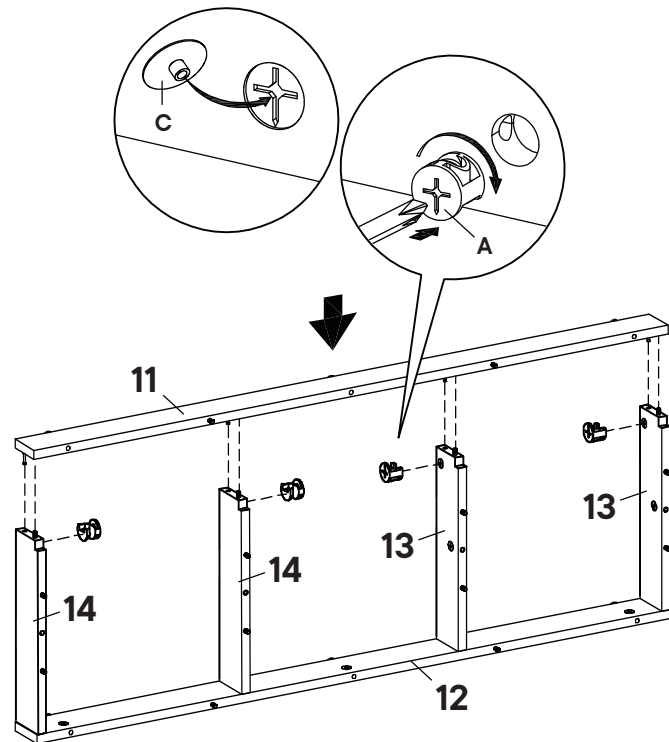
## Step 13

### HARDWARE

- A** Cam Lock Ø15 mm x4
- C** Cam Cover Ø17 mm x4

### COMPONENTS

- 11** Bottom Front Support x1
- 12** Bottom Rear Support x1
- 13** Bottom Left Support x2
- 14** Bottom Right Support x2



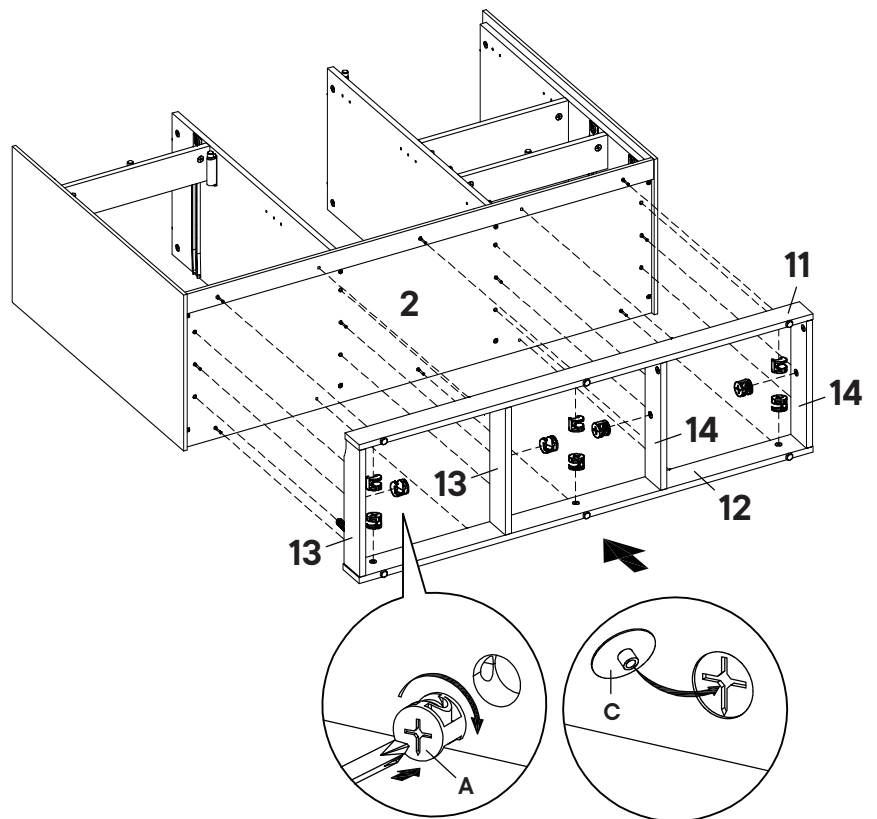
## Step 14

### HARDWARE

- A** Cam Lock Ø15 mm x10
- C** Cam Cover Ø17 mm x10

### COMPONENTS

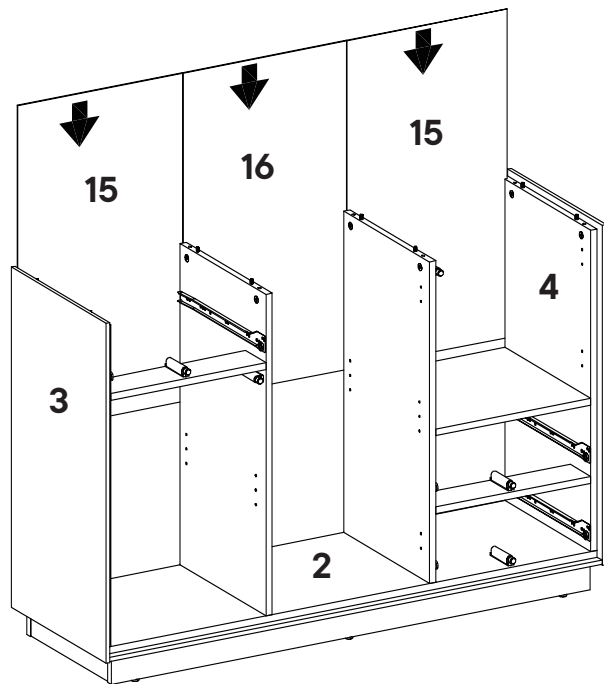
- 2** Bottom Board x1
- 11** Bottom Front Support x1
- 12** Bottom Rear Support x1
- 13** Bottom Left Support x2
- 14** Bottom Right Support x2



## Step 15

### COMPONENTS

②	Bottom Board	x1
③	Left Board	x1
④	Right Board	x1
⑮	Side Backboard	x2
⑯	Middle Backboard	x1



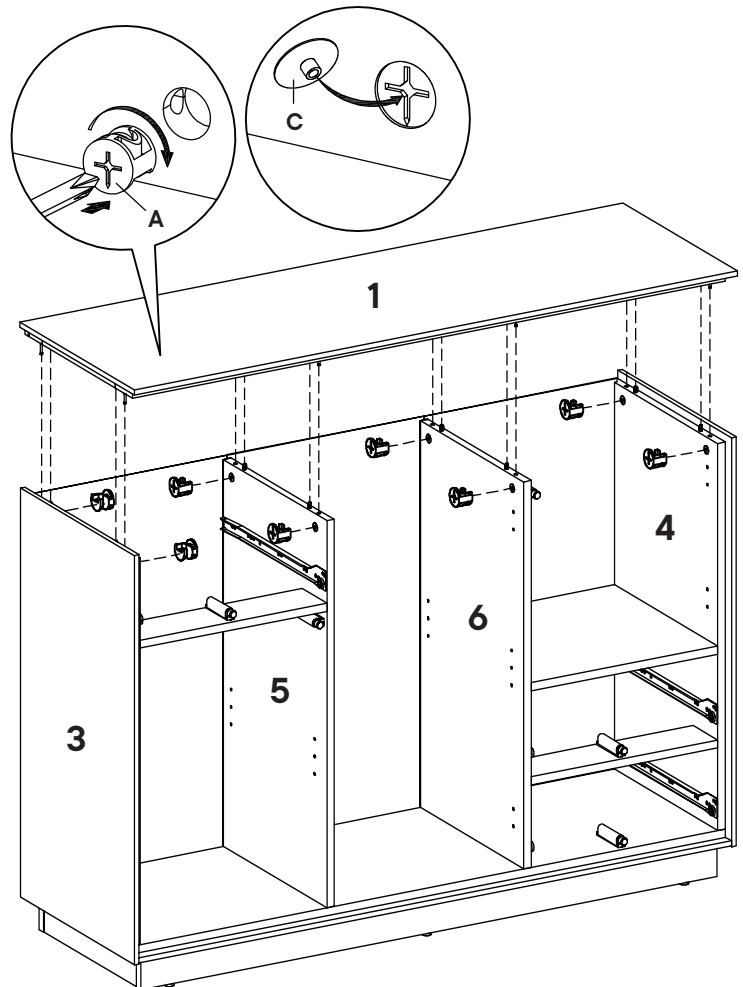
## Step 16

### HARDWARE

Ⓐ	Cam Lock Ø15 mm	x8
Ⓒ	Cam Cover Ø17 mm	x8

### COMPONENTS

①	Top Board	x1
③	Left Board	x1
④	Right Board	x1
⑤	Divider left Board	x1
⑥	Divider Right Board	x1



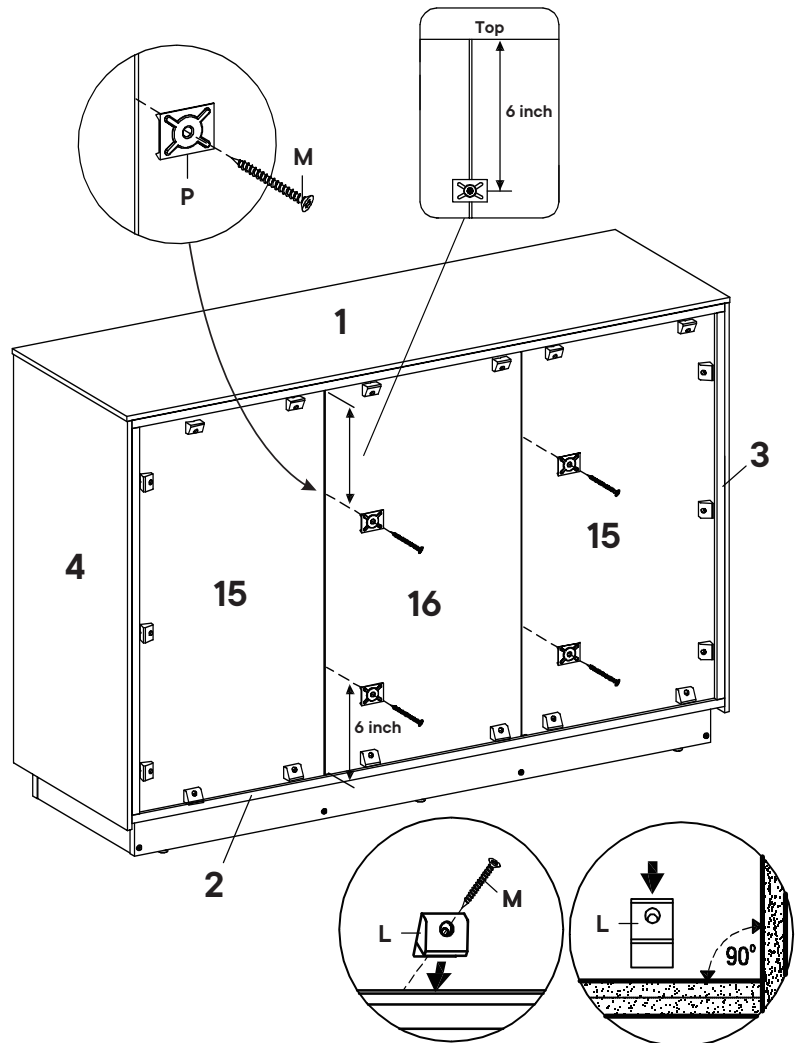
# Step 17

## HARDWARE

<b>L</b>	Backply stopper	x18
<b>M</b>	Screw M4 x19 mm	x22
<b>P</b>	Rear Panel Clamp	x4

## COMPONENTS

<b>1</b>	Top Board	x1
<b>2</b>	Bottom Board	x1
<b>3</b>	Left Board	x1
<b>4</b>	Right Board	x1
<b>15</b>	Side Backboard	x2
<b>16</b>	Middle Backboard	x1



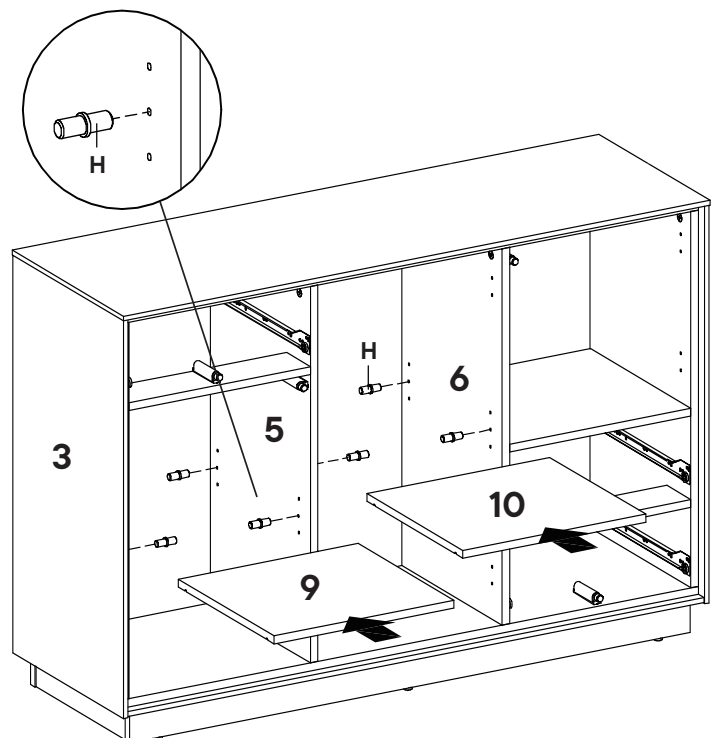
# Step 18

## HARDWARE

<b>H</b>	Shelf Pin M7 x 16.5mm	x8
----------	-----------------------	----

## COMPONENTS

<b>3</b>	Left Board	x1
<b>5</b>	Divider Left Board	x1
<b>6</b>	Divider Right Board	x1
<b>9</b>	Left Adjust Shelf	x1
<b>10</b>	Right Adjust Shelf	x1



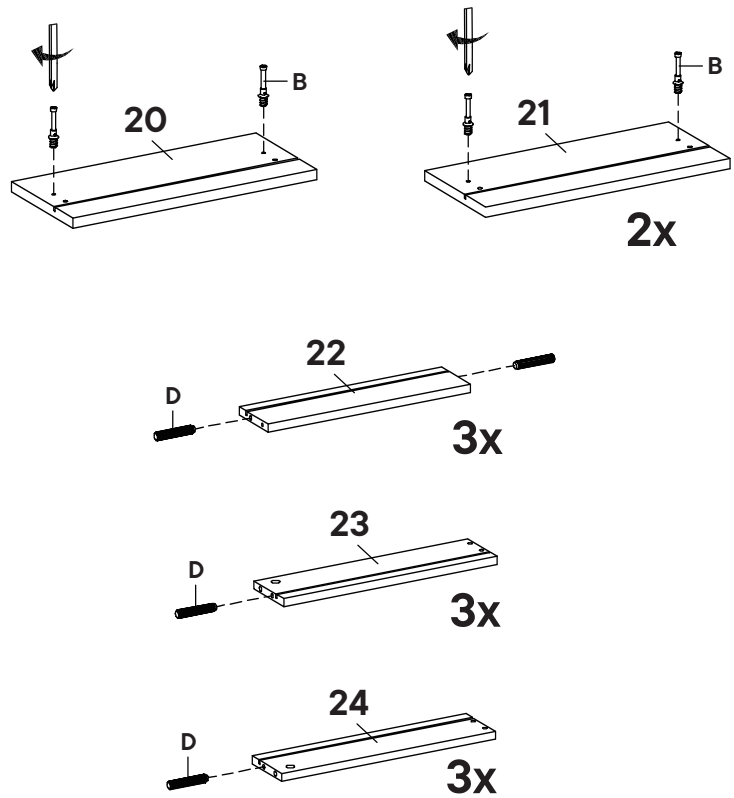
# Step 19

## HARDWARE

- B** Cam Bolt Ø7.5 x 32 mm x6
- D** Plastic Dowel M8 x 32 mm x12

## COMPONENTS

- 20** Left Front Drawer x1
- 21** Right Front Drawer x2
- 22** Rear Drawer x3
- 23** Left Drawer x3
- 24** Right Drawer x3



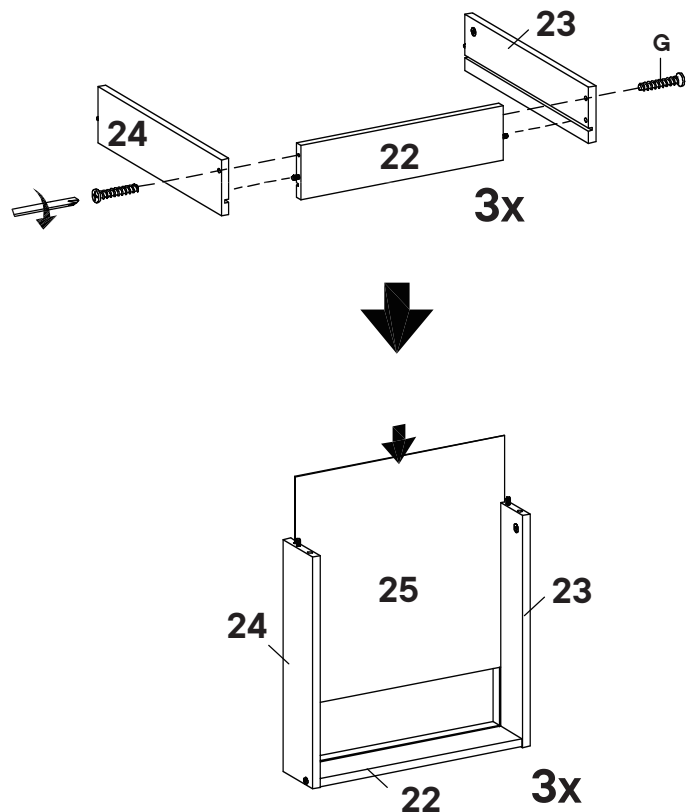
# Step 20

## HARDWARE

- G** Screw M10 x 33.5 mm x6

## COMPONENTS

- 22** Rear Drawer x3
- 23** Left Drawer x3
- 24** Right Drawer x3
- 25** Bottom Drawer x3



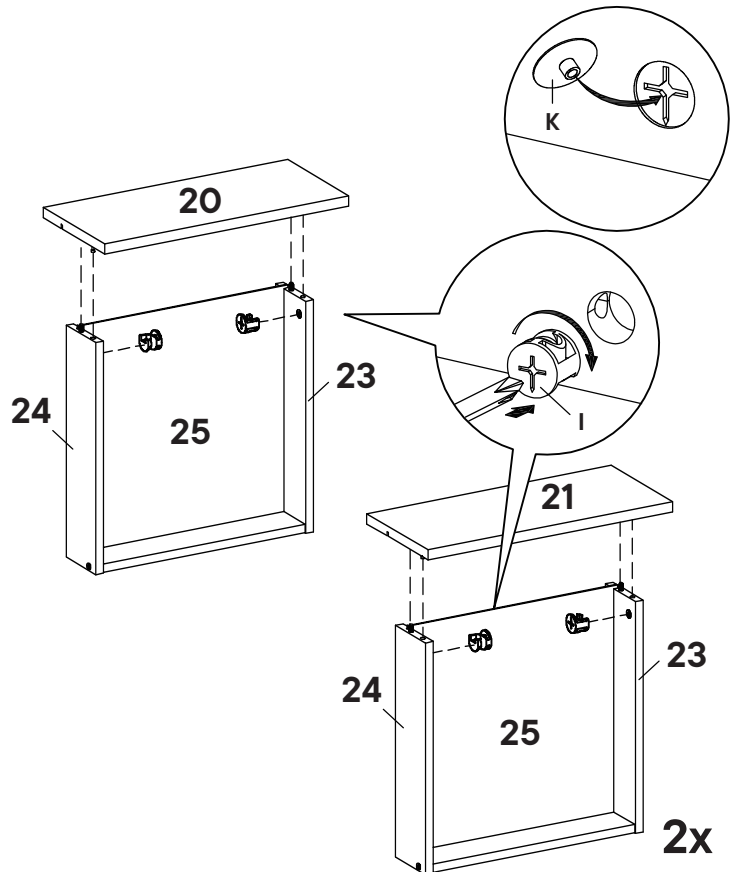
# Step 21

## HARDWARE

- I** Cam Lock Ø12 mm x6
- K** Cam Cover Ø15 mm x6

## COMPONENTS

- 20** Left Front Drawer x1
- 21** Right Front Drawer x2
- 23** Left Drawer x3
- 24** Right Drawer x3
- 25** Bottom Drawer x3



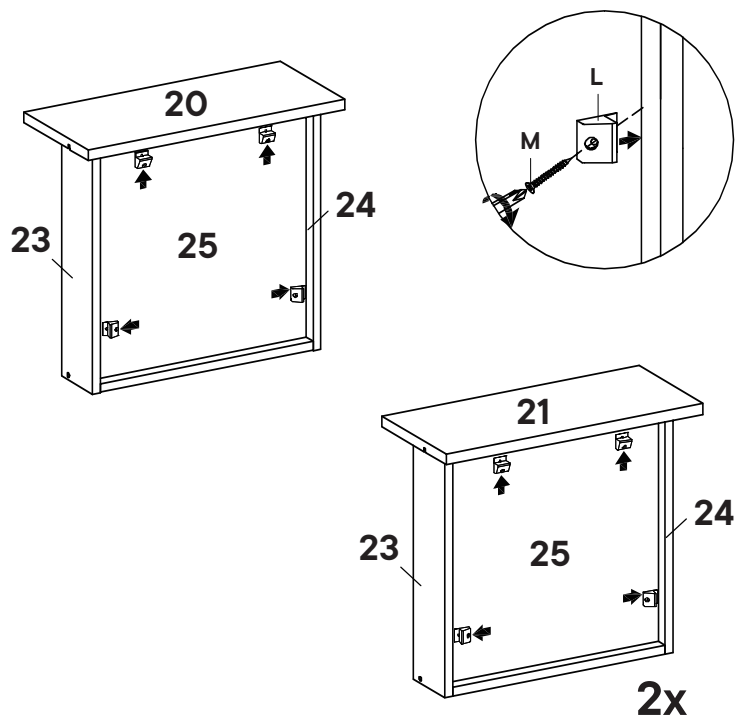
# Step 22

## HARDWARE

- L** Backply Stopper x12
- M** Screw M4 x 19 mm x12

## COMPONENTS

- 20** Left Front Drawer x1
- 21** Right Front Drawer x2
- 23** Left Drawer x3
- 24** Right Drawer x3
- 25** Bottom Drawer x3



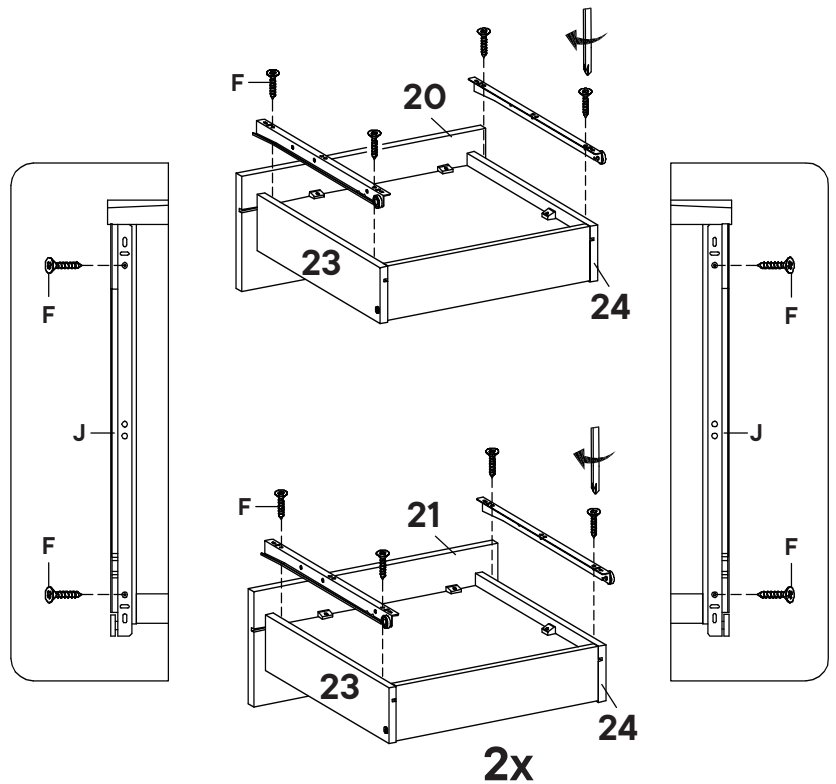
## Step 23

### HARDWARE

<b>F</b>	Screw M6 x 13 mm	x12
<b>J</b>	Drawer Rail	x3

### COMPONENTS

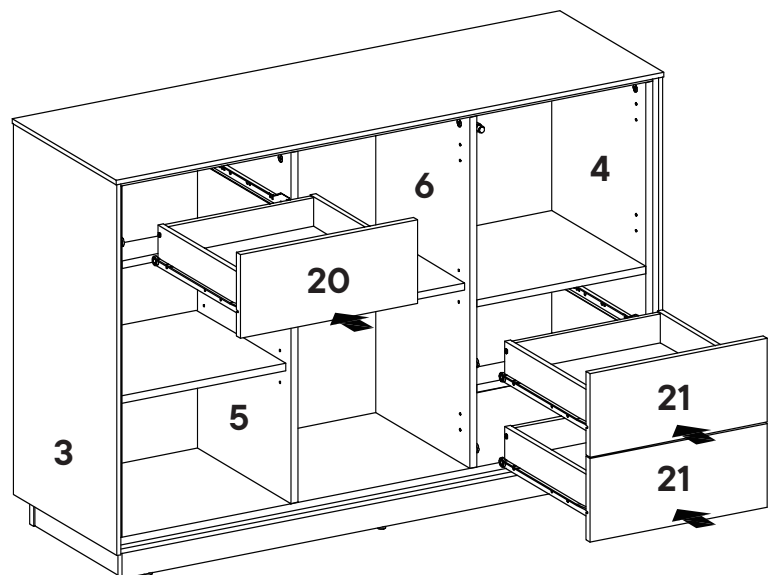
<b>23</b>	Left Drawer	x3
<b>24</b>	Right Drawer	x3



## Step 24

### COMPONENTS

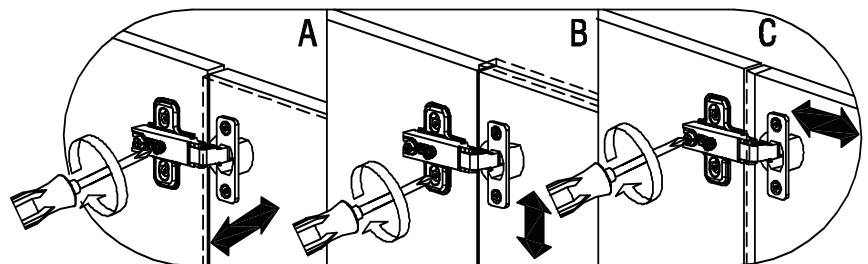
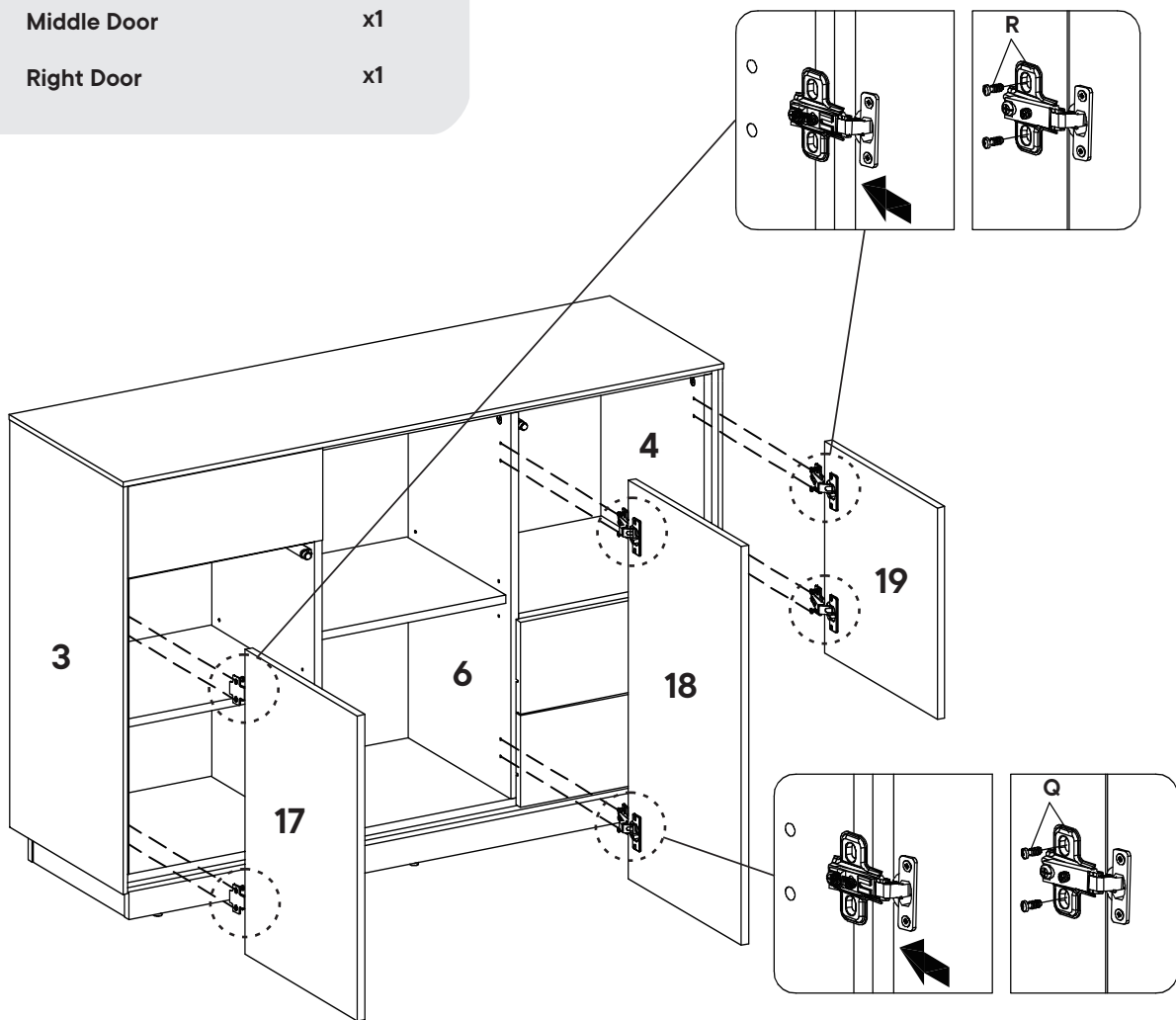
<b>3</b>	Left Board	x1
<b>4</b>	Right Board	x1
<b>5</b>	Divider Left Board	x1
<b>6</b>	Divider Right Board	x1
<b>20</b>	Left Front Drawer	x1
<b>21</b>	Right Front Drawer	x2



# Step 25

## COMPONENTS

- 3 Left Board x1
- 4 Right Board x1
- 6 Divider Right Board x1
- 17 Left Door x1
- 18 Middle Door x1
- 19 Right Door x1



# Great job!

Sideboard assembly is complete.

## ♥ CARING FOR YOUR ITEM

Indoor use only.

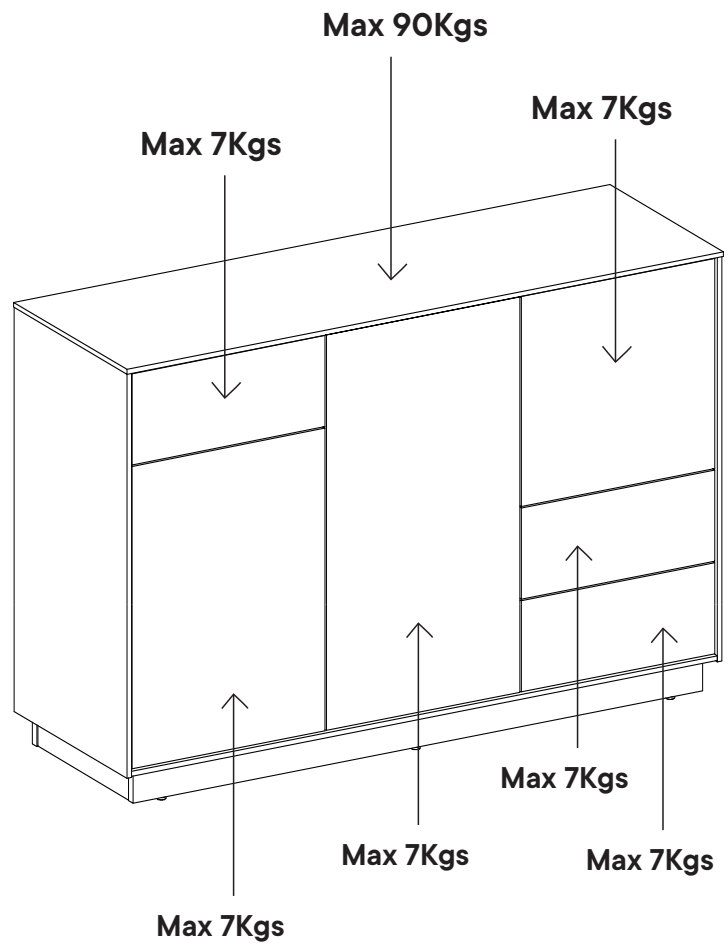
Not contract grade.

Clean using a non-abrasive cloth and a mild cleaner.

Never use harsh chemicals, as they could damage the finish or integrity of the item.

## CONNECT WITH US!

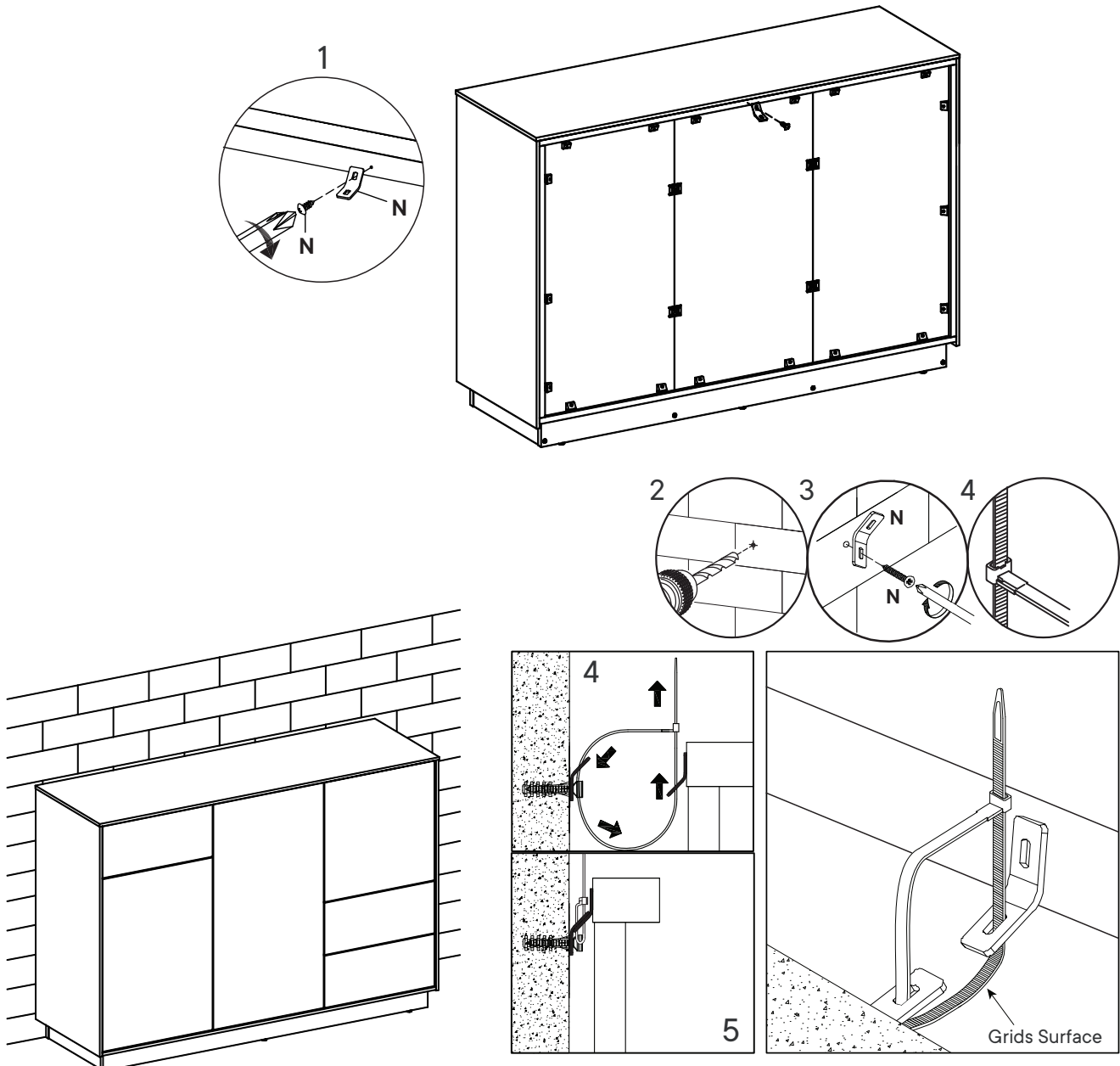
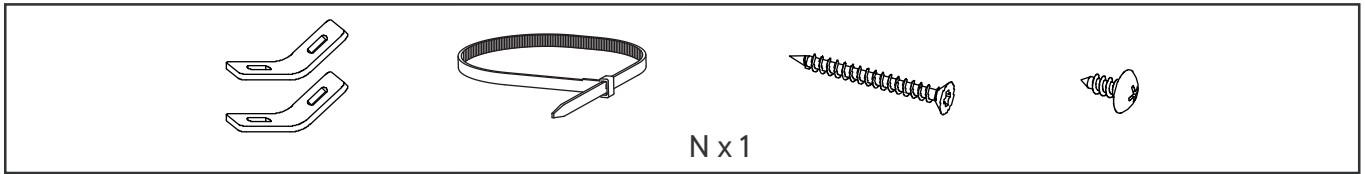
Tag us @modway\_furniture and #modway for a chance to be featured.



## TIPPING RESTRAINTS KIT INSTALLATION GUIDANCE

Different wall materials require unique wall fasteners.

Please consult your local hardware store to ensure you are using the correct hardware for you wall type.



### **Installation Instructions :**

1. Attach bracket (N) securely to the back top of the furniture using short screw (N) provided.
2. Please make a hole on the wall for attach the bracket (N) to the back of unit.
3. Attach bracket (N) on the wall using long screw (N) as shown.  
Locate the other bracket (N) on the wall. Place furniture into position so both brackets (N) as shown.
4. Lace the end of the restrains strap through the larger hole in each bracket. Ensure the restrains strap with grids surface facing the inner loops. Bring both ends together and slide the flat end through the locking end and draw it through until all slack is removed.
5. Make sure that the strap is securely laced & locked.