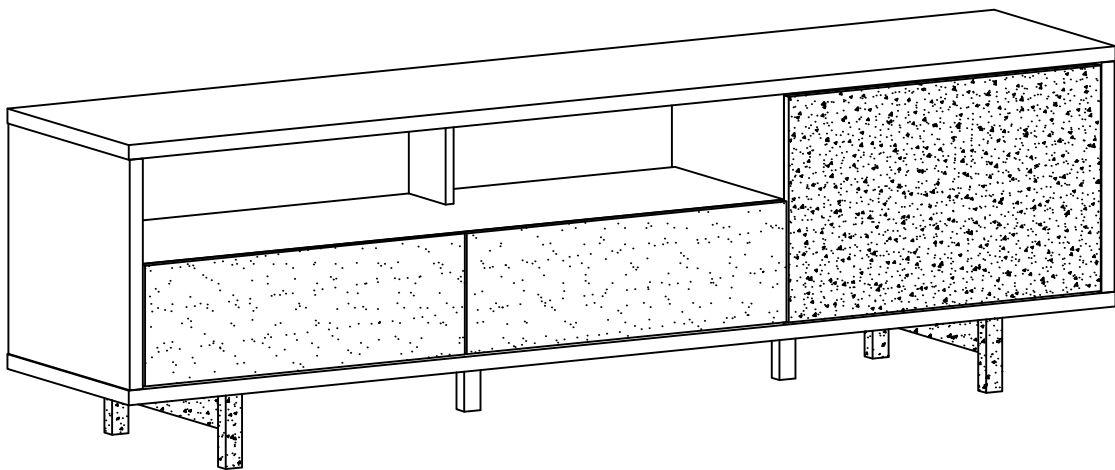


ASSEMBLY INSTRUCTION



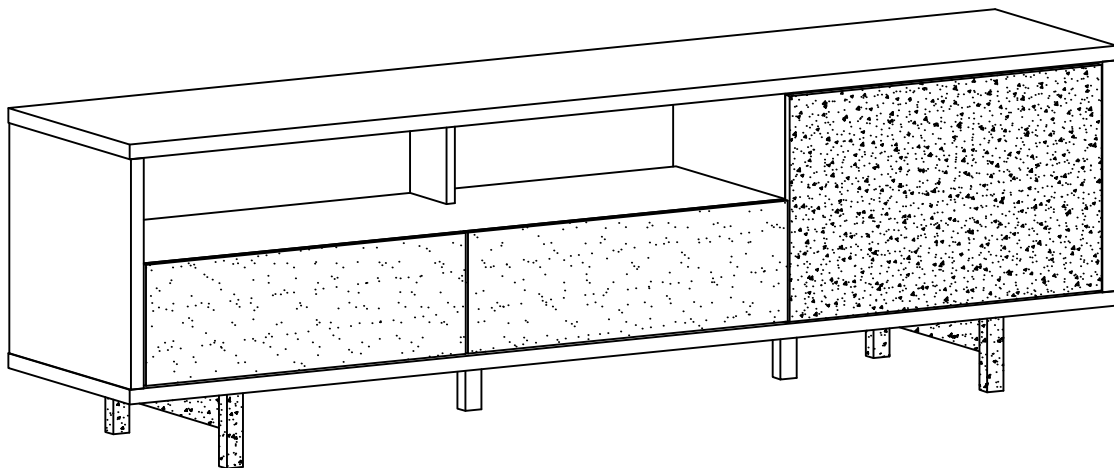
ASSEMBLY INSTRUCTION

PLEASE READ BEFORE ASSEMBLING!

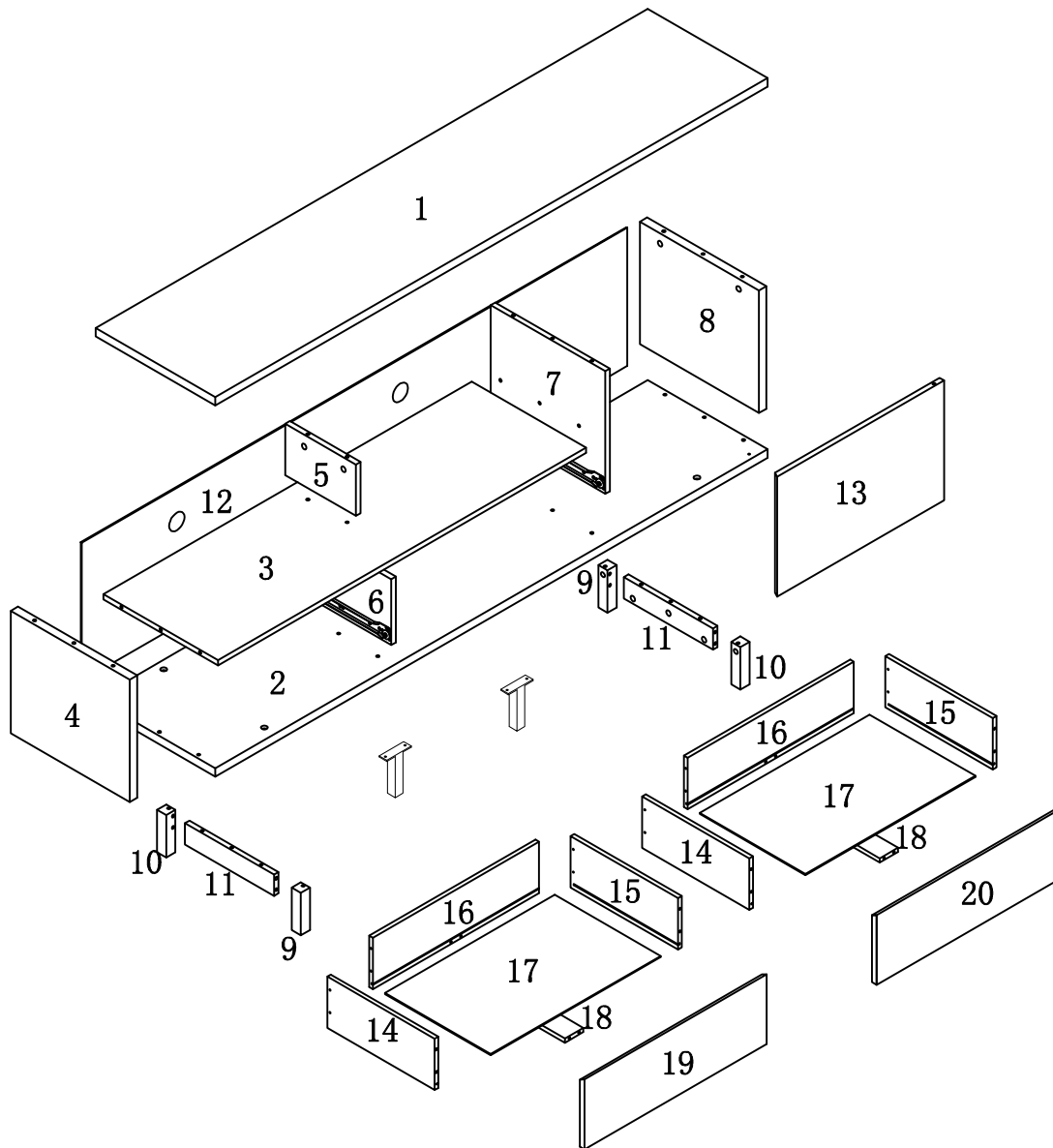
Tip #1: Make sure you've taken all the pieces and hardware out of its packaging before discarding the box.

Tip #2: Using page 2 and/or page 3 of instruction manual make sure all pieces and hardware are accounted for.

Tip #3: Read manual before assembling, it helps!



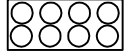

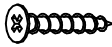
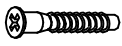

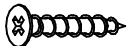


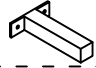

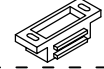



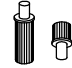
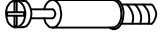


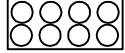



PARTS IDENTIFICATION

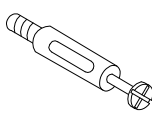

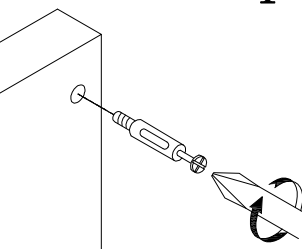
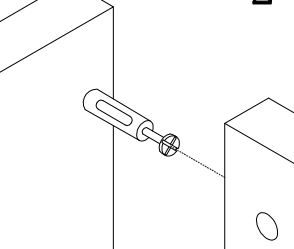
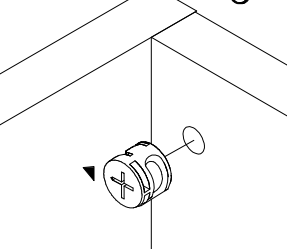
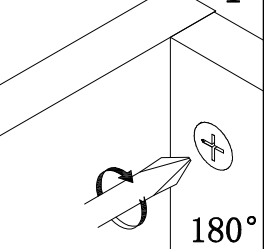


(1)	1pc	(8)	1pc	(15)	2pcs
(2)	1pc	(9)	2pcs	(16)	2pcs
(3)	1pc	(10)	2pcs	(17)	2pcs
(4)	1pc	(11)	2pcs	(18)	2pcs
(5)	1pc	(12)	1pc	(19)	1pc
(6)	1pc	(13)	1pc	(20)	1pc
(7)	1pc	(14)	2pcs		

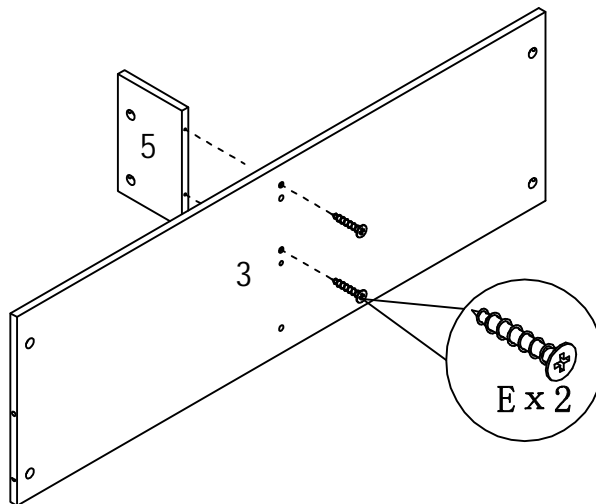
HARDWARE IDENTIFICATION

A		L29	24pcs
B		∅15	24pcs
C		∅20 (BLK3)	8pcs
D		∅8x25	14pcs
E		∅4x30	14pcs
F		M7x48	4pcs
G		∅8x∅16x2	4pcs
H		∅4x40	4pcs
I			46pcs
J		∅16	4pcs
K		80x25x122H	2pcs
L		∅4x16	4pcs
M			1pc
N		∅3x16	2pcs
O			1pc
P		∅3x14	2pcs
Q			1pc
R		L20	8pcs
S		∅12	8pcs
T		∅6x30	4pcs
U		∅20 (DGY)	10pcs
V		Glue: For securing please apply to wood dowel first before inserting into panel	1pc

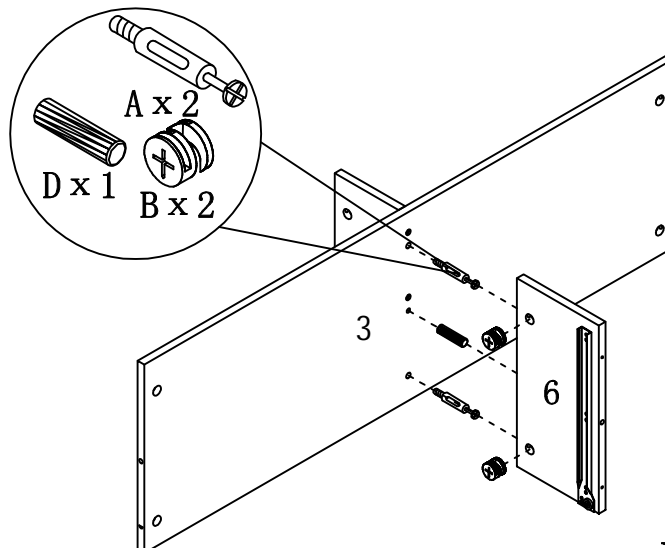
ASSEMBLY INSTRUCTION

<p>HOW TO</p>  <p>Cam Bolt</p>  <p>Cam Lock</p>	<p>1</p>  <p>1. Screw Cam Bolt into panel.</p>	<p>2</p>  <p>2. Insert Cam Bolt into bolt hole of joining panel.</p>	<p>3</p>  <p>3. Insert Cam Lock. arrow facing bolt.</p>	<p>4</p>  <p>4. Gently turn Cam Lock clockwise to lock position. 180°</p>
---	---	---	---	--

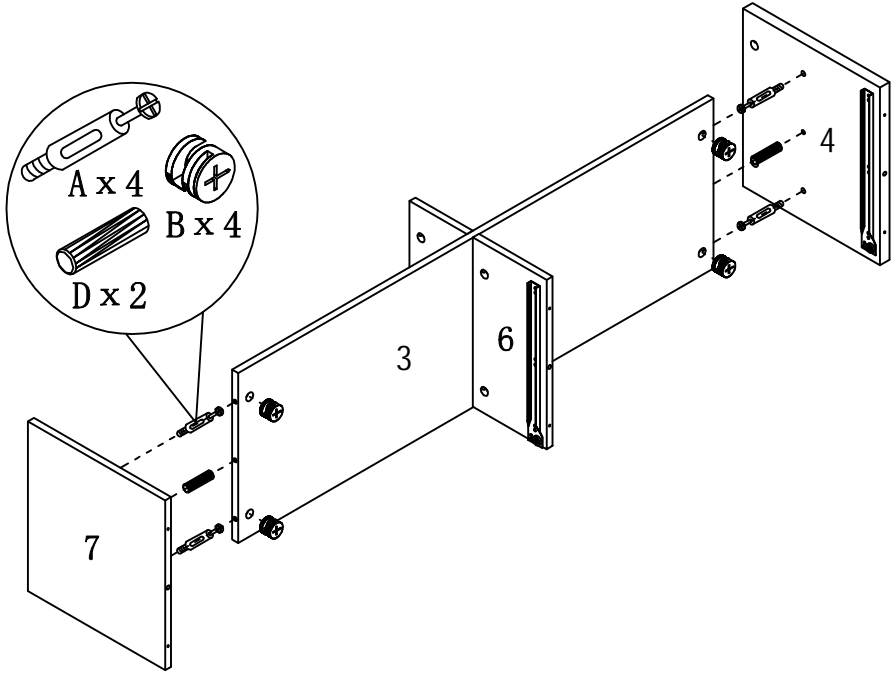
STEP1



STEP2

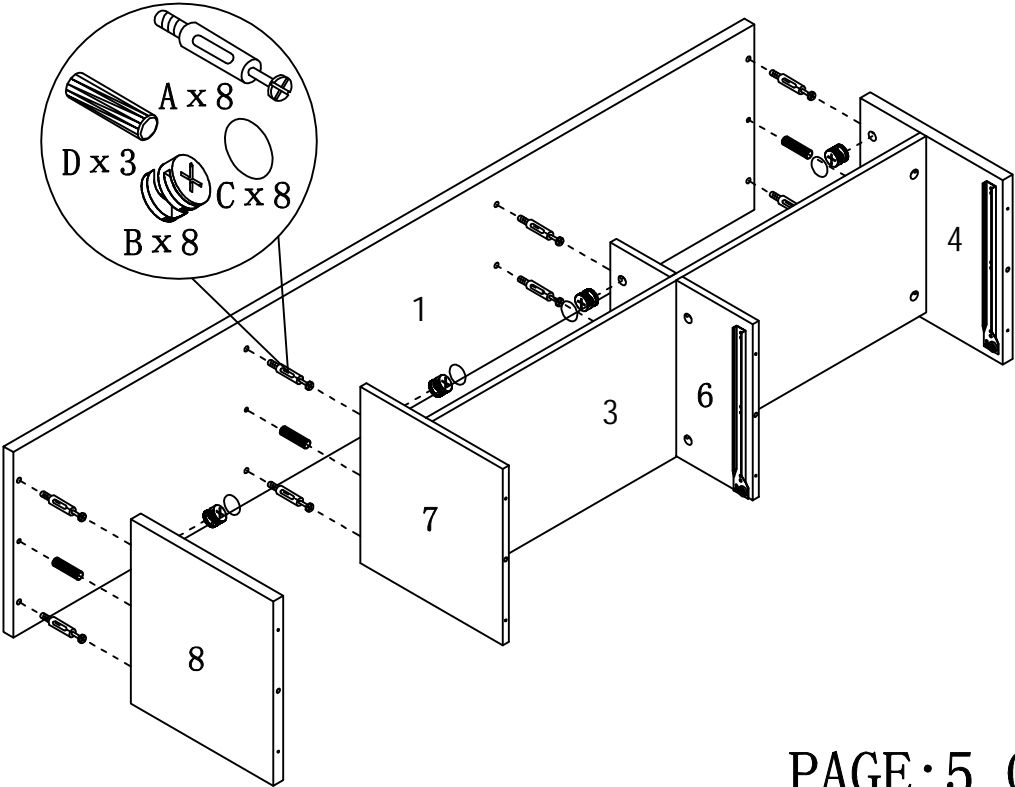


ASSEMBLY INSTRUCTION

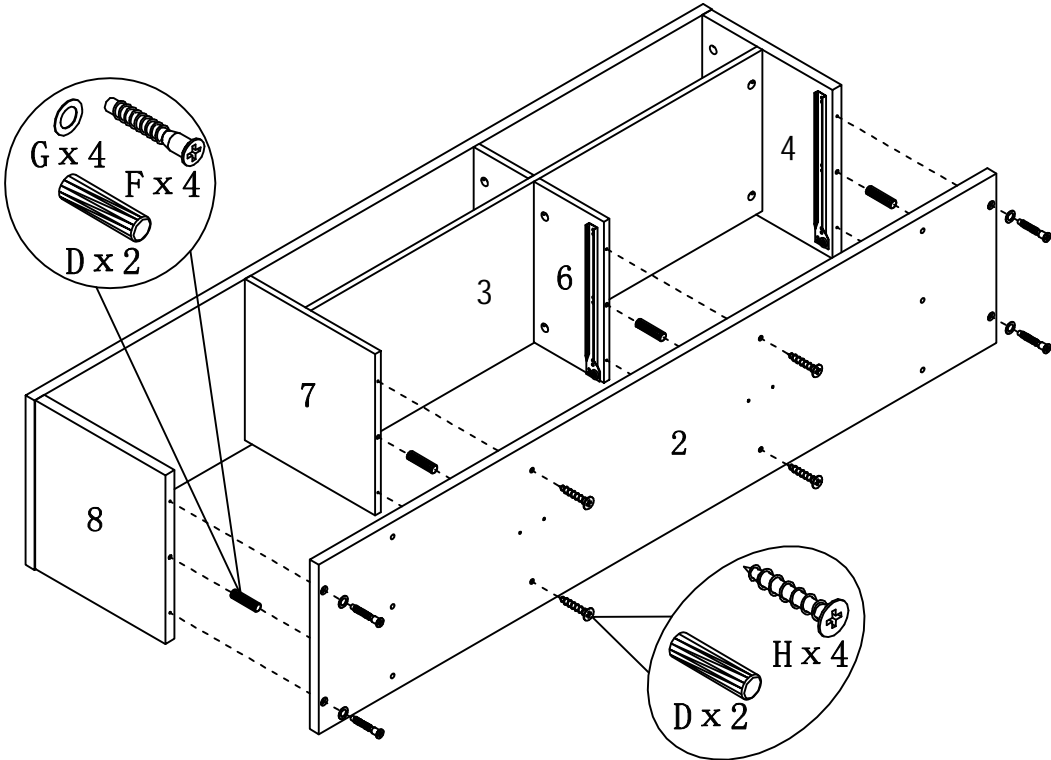


STEP3

STEP4

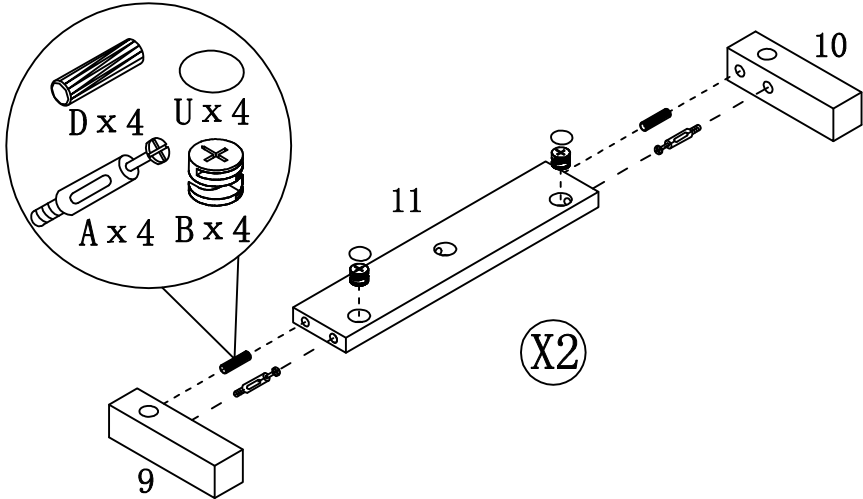


ASSEMBLY INSTRUCTION

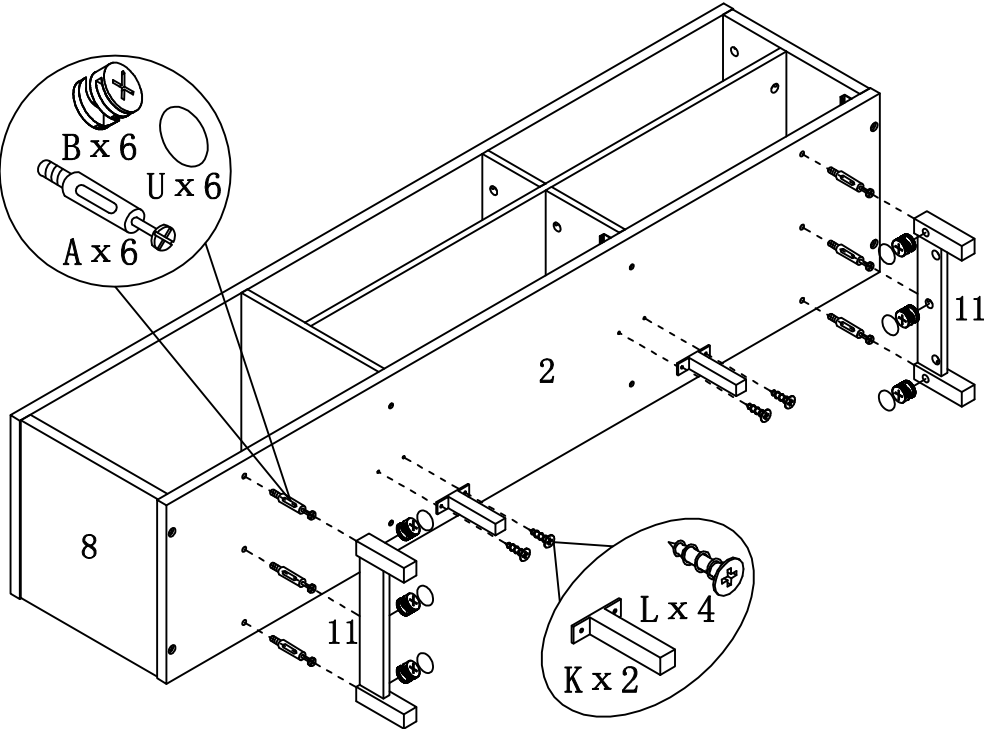


STEP5

STEP6

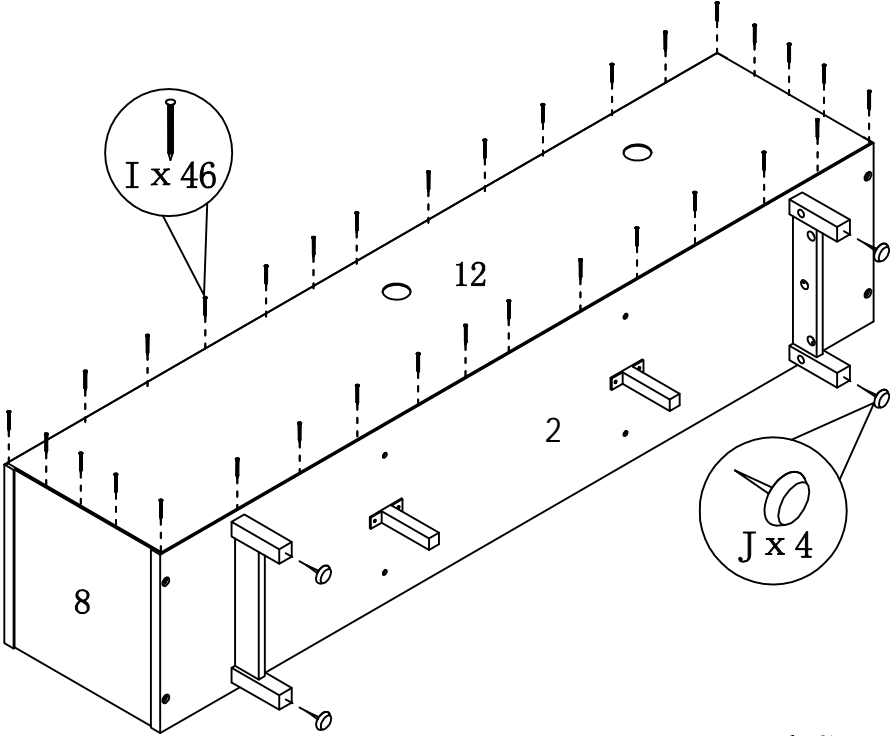


ASSEMBLY INSTRUCTION

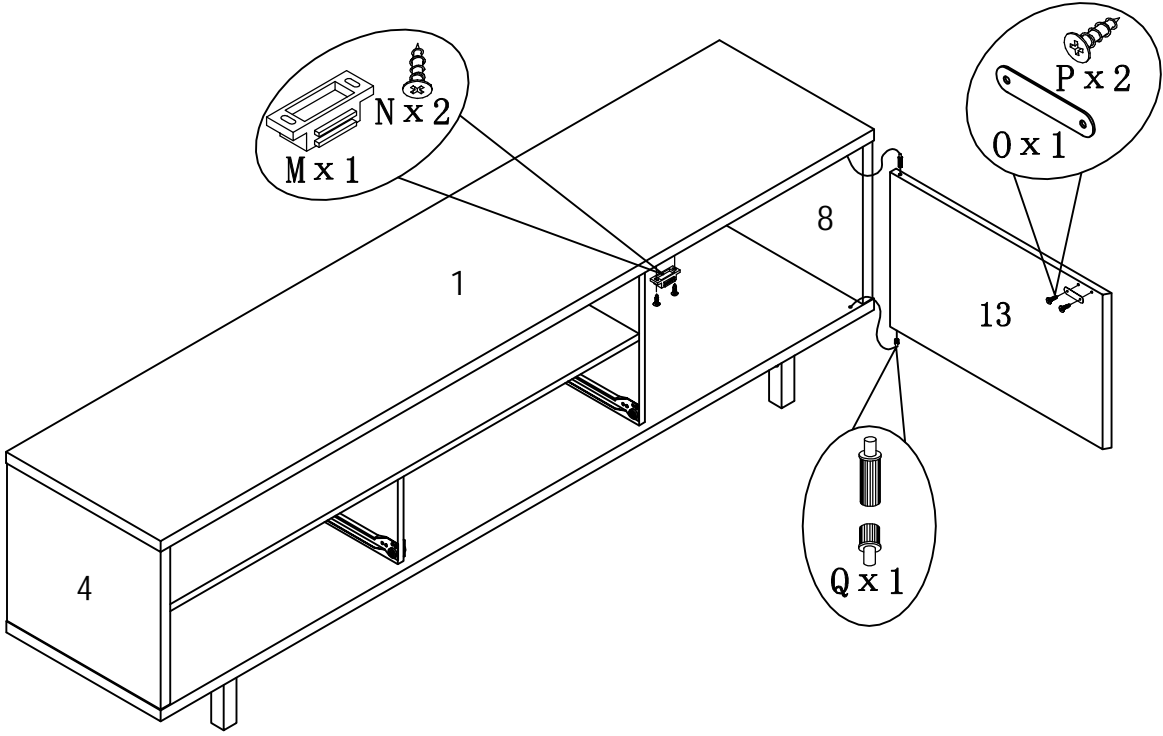


STEP7

STEP8

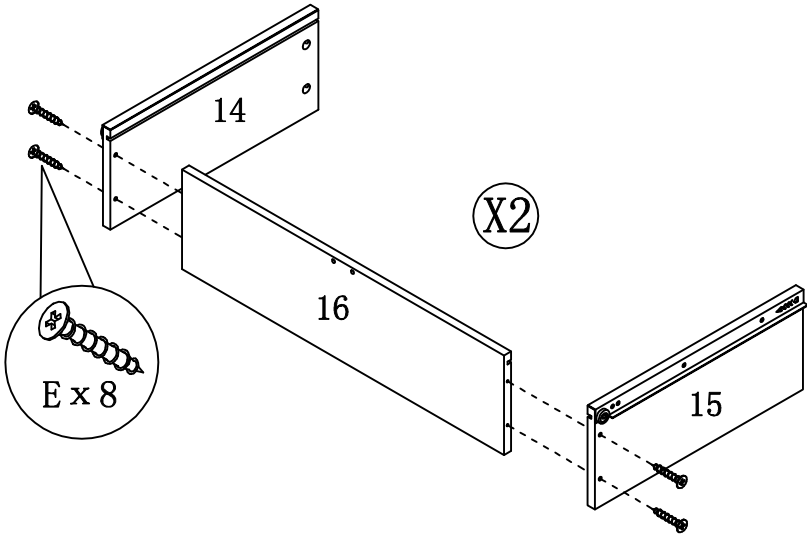


ASSEMBLY INSTRUCTION

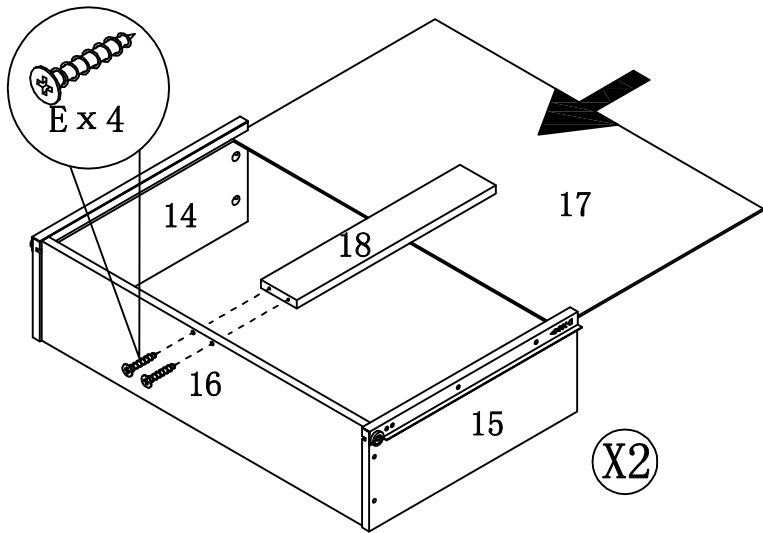


STEP9

STEP10

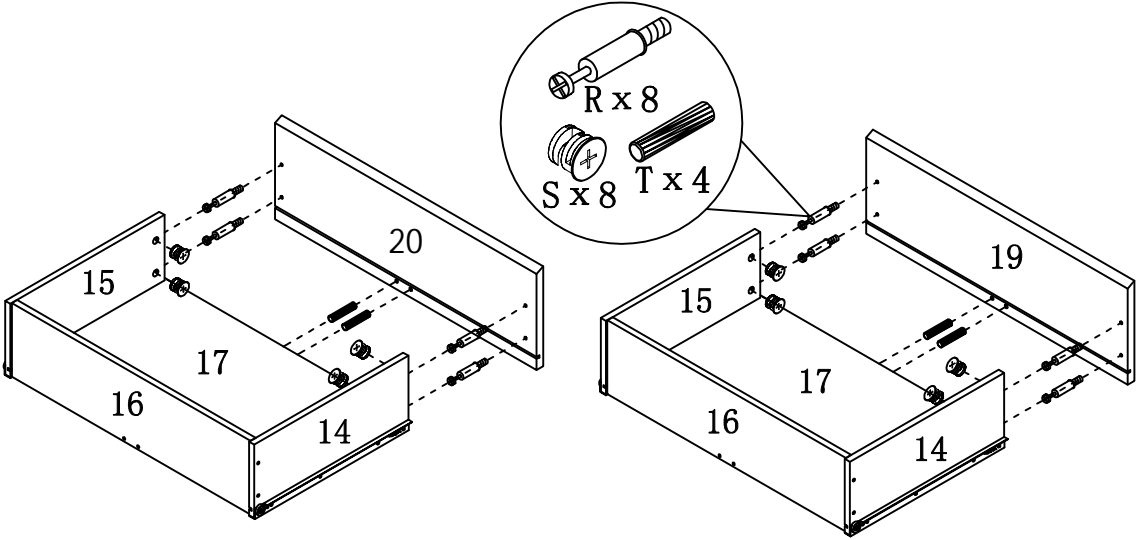


ASSEMBLY INSTRUCTION

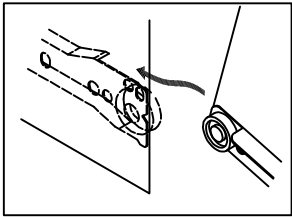
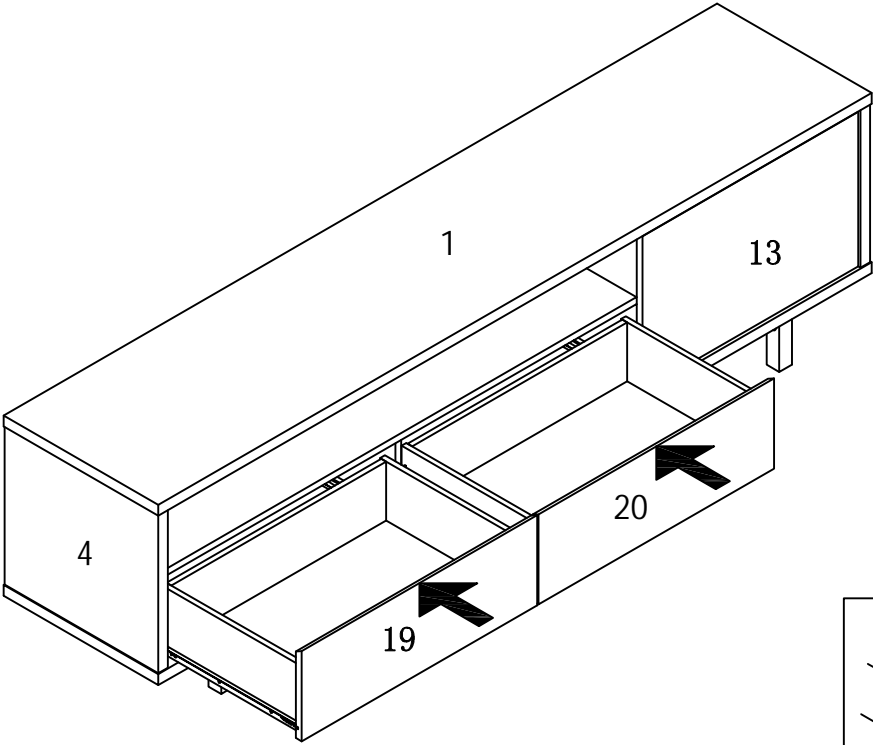


STEP11

STEP12



ASSEMBLY INSTRUCTION



STEP 13

STEP 14

