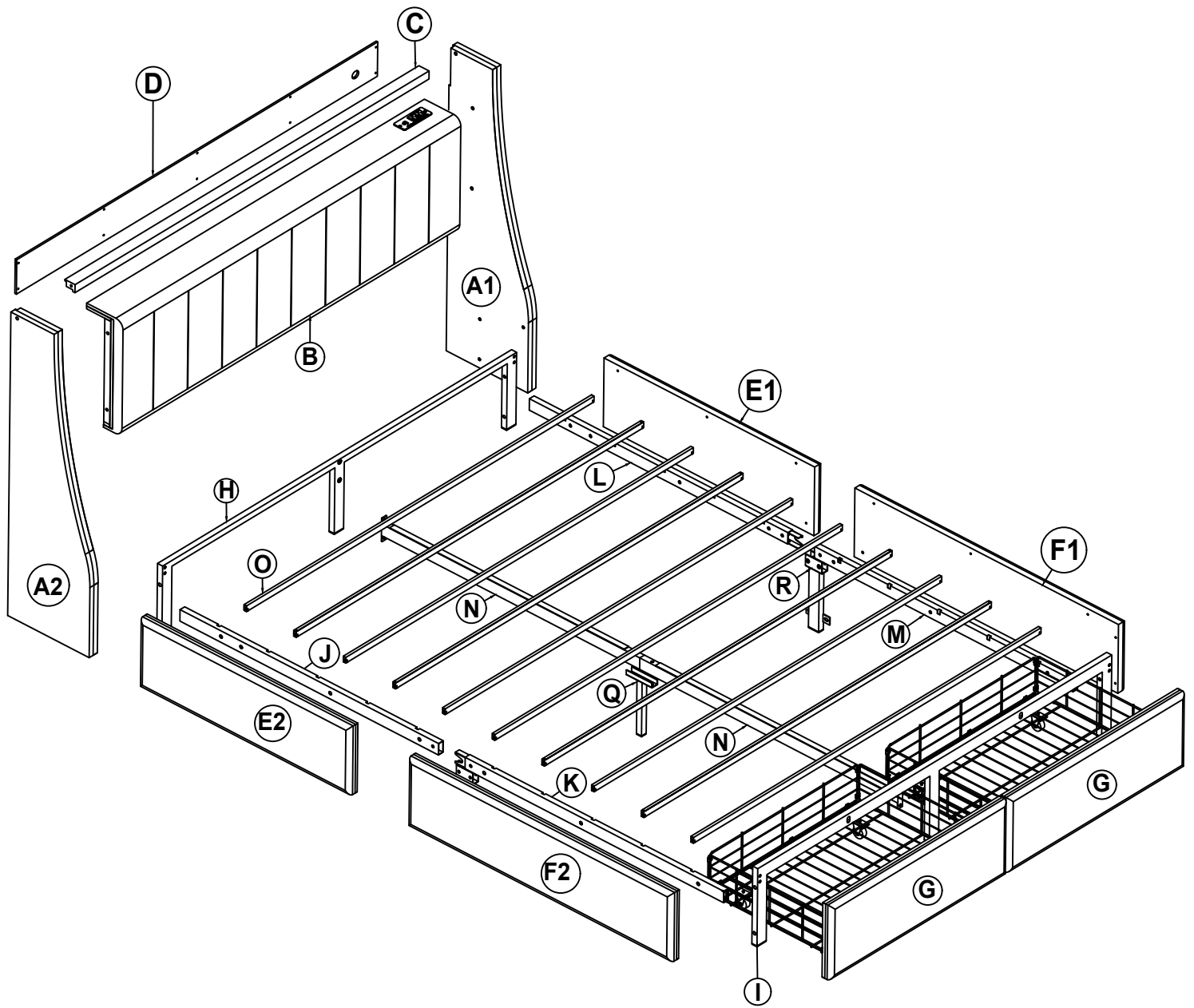
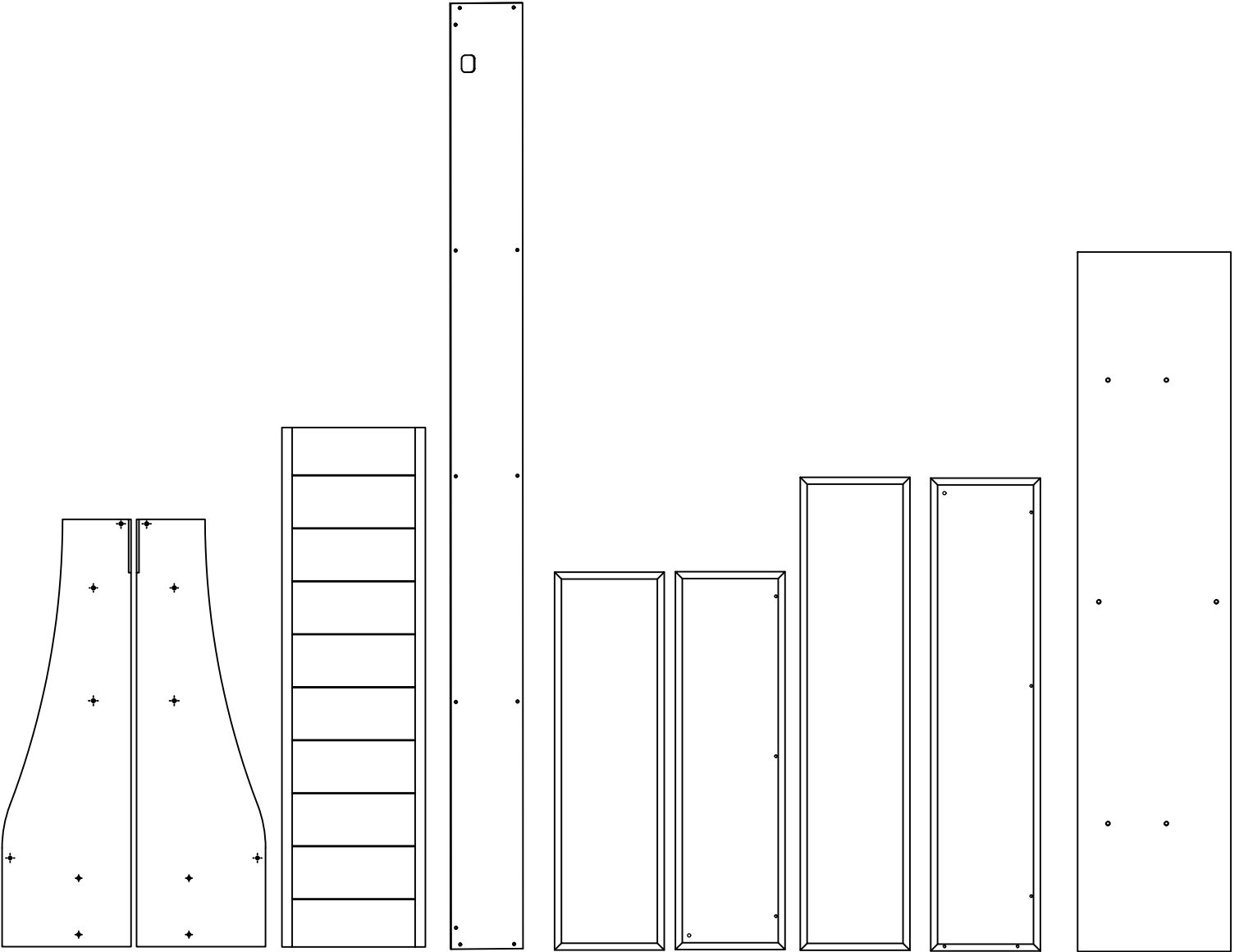


## **PRODUCT GUIDE AND INSTALLATION MANUAL**



# Parts List:



A2

1pcs

A1

1pcs

B

1pcs

D

1pcs

E1

1pcs

E2

1pcs

F1

1pcs

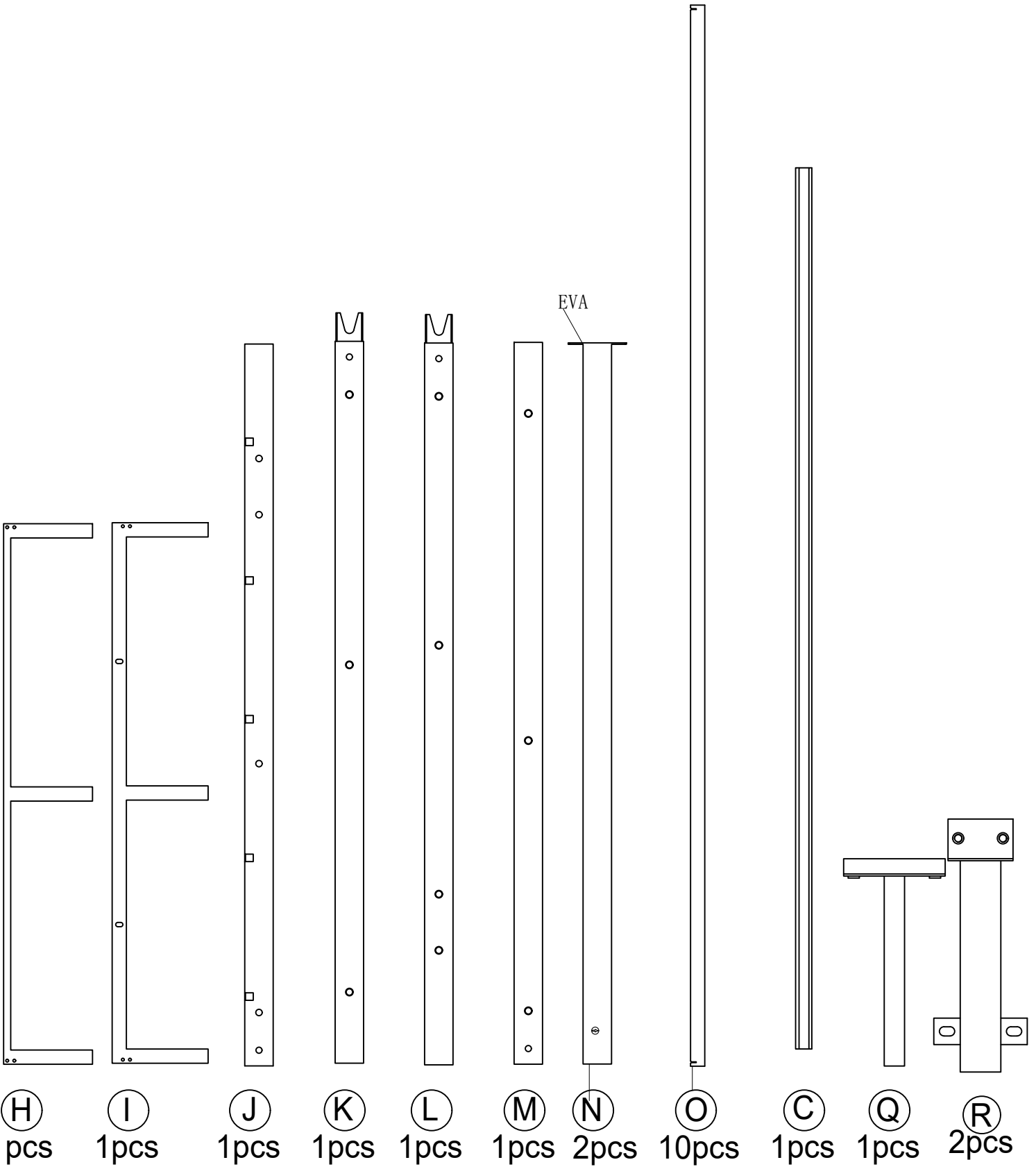
F2

1pcs

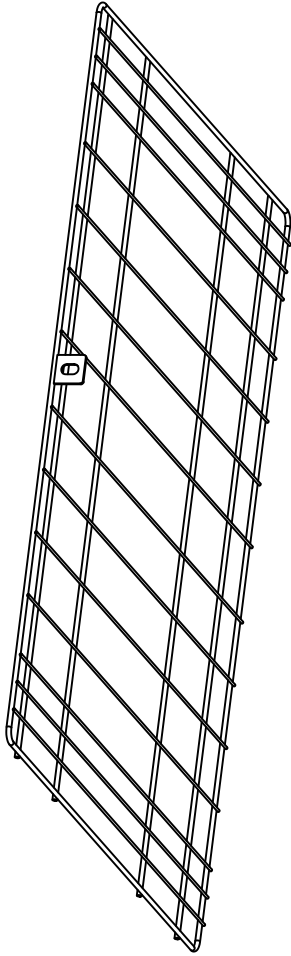
G

2pcs

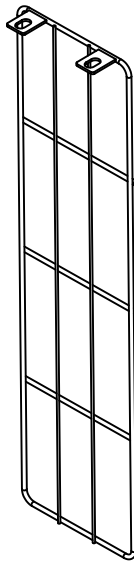
# Parts List:



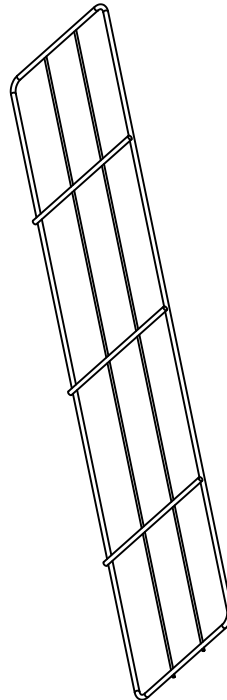
# Parts List:



**Z4**  
2pcs



**Z2**  
4pcs



**Z3**  
2pcs



**U1**  
1pcs



**U3**  
1pcs



**W**  
1pcs



Whasher  $\text{\O} 6 \times \text{\O} 18\text{mm}$

**X**  
2pcs



M6x40mm  
**T3**  
4pcs



M6x45mm  
**T4**  
4pcs



M6x50mm  
**T5**  
8pcs



M4x15mm  
**V**  
14pcs



M6x15mm  
**T1**  
14pcs



M6x30mm  
**T2**  
12pcs



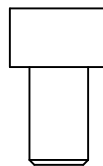
M8x35mm  
**Y1**  
12pcs



M8x55mm  
**Y2**  
2pcs

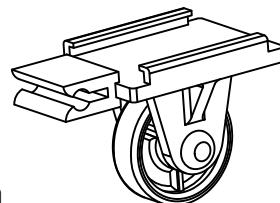


M8x15mm  
**Y3**  
4pcs

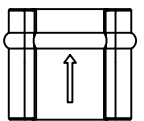


M6x10mm

**Z8**  
2pcs



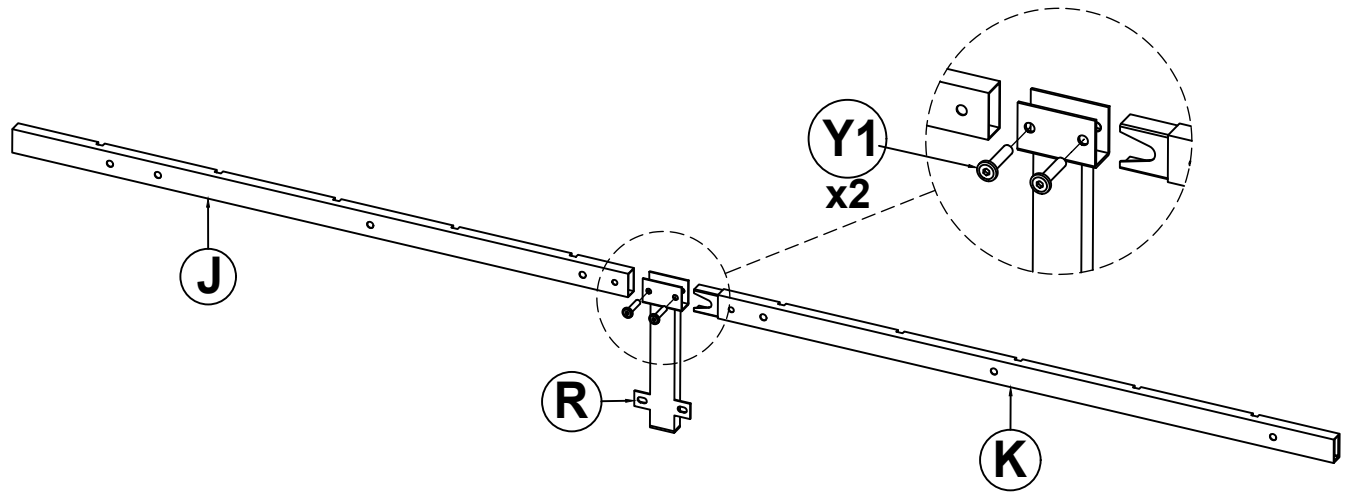
**Z5**  
8pcs



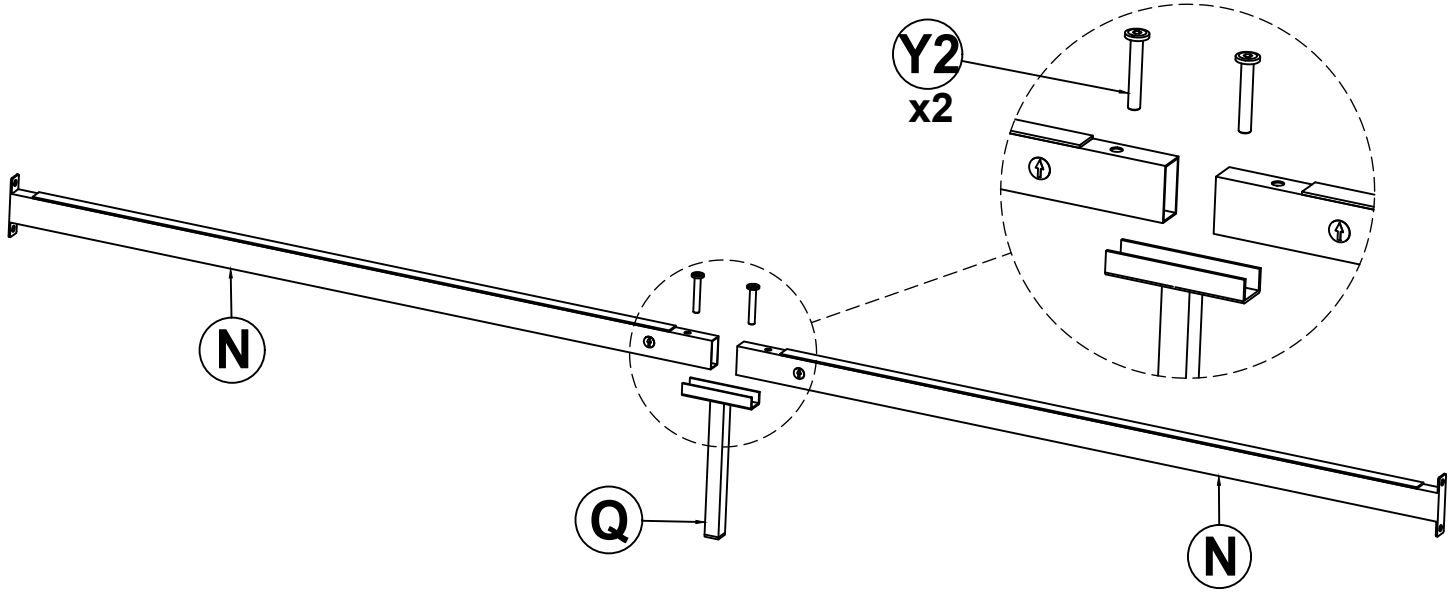
**Q1**  
20pcs

1.1

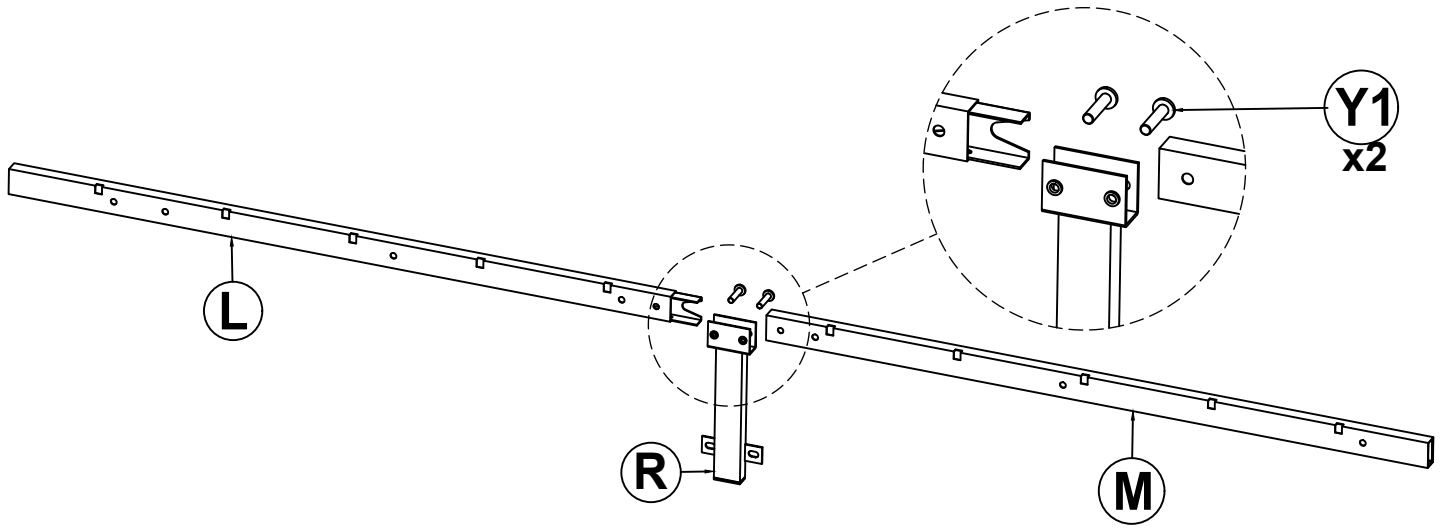
# Step 1



1.2

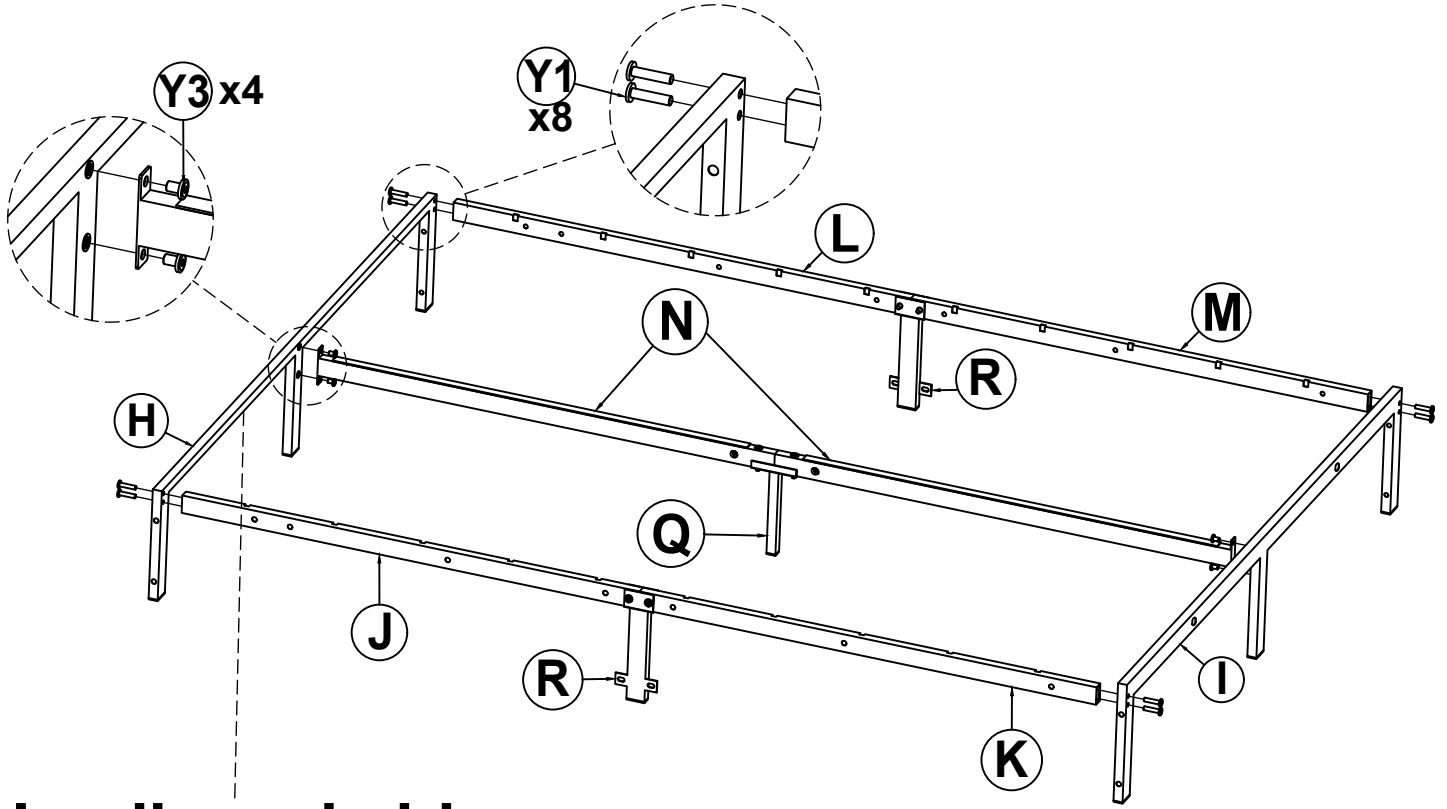


1.3



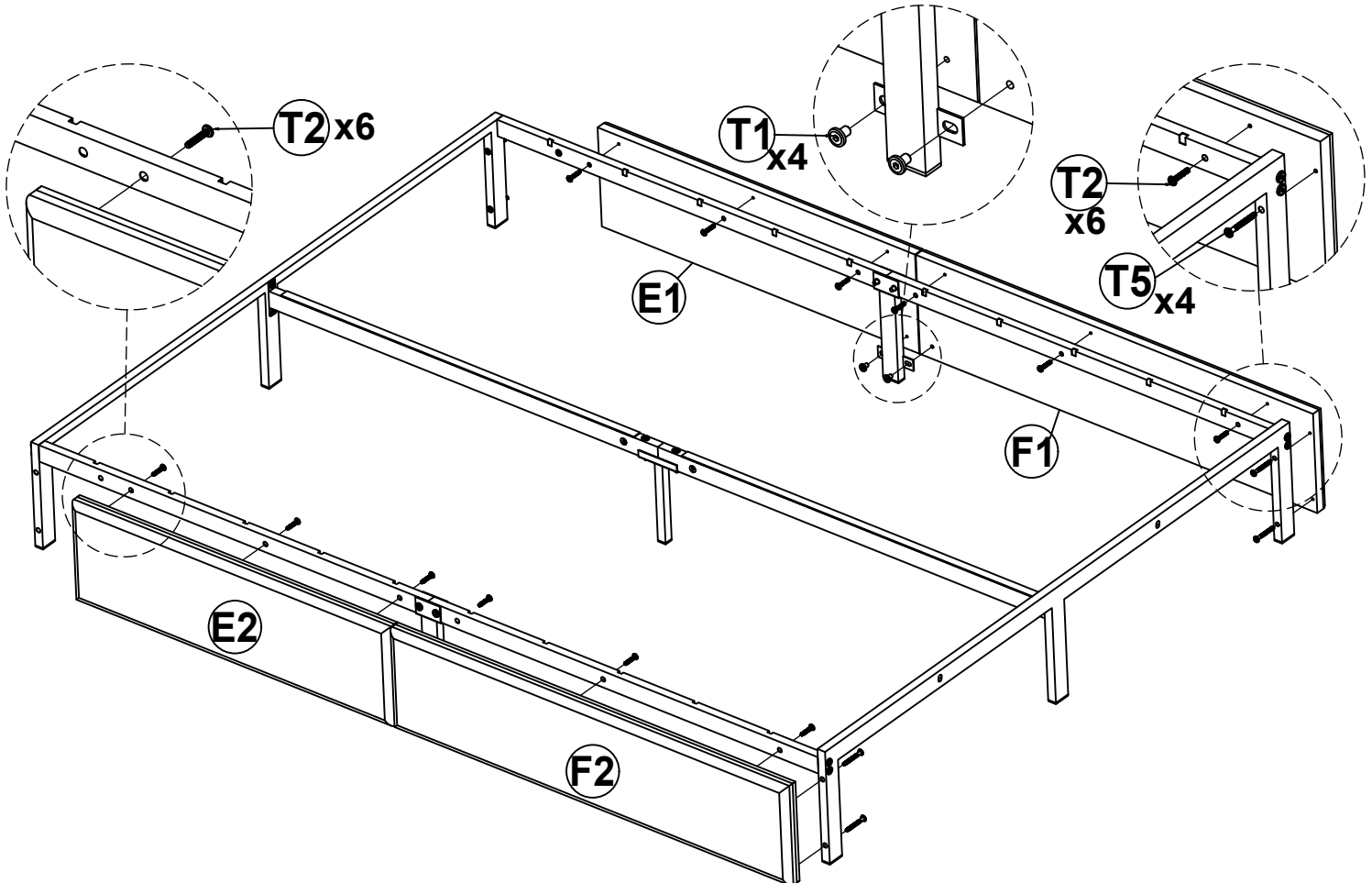
2.1

# Step 2



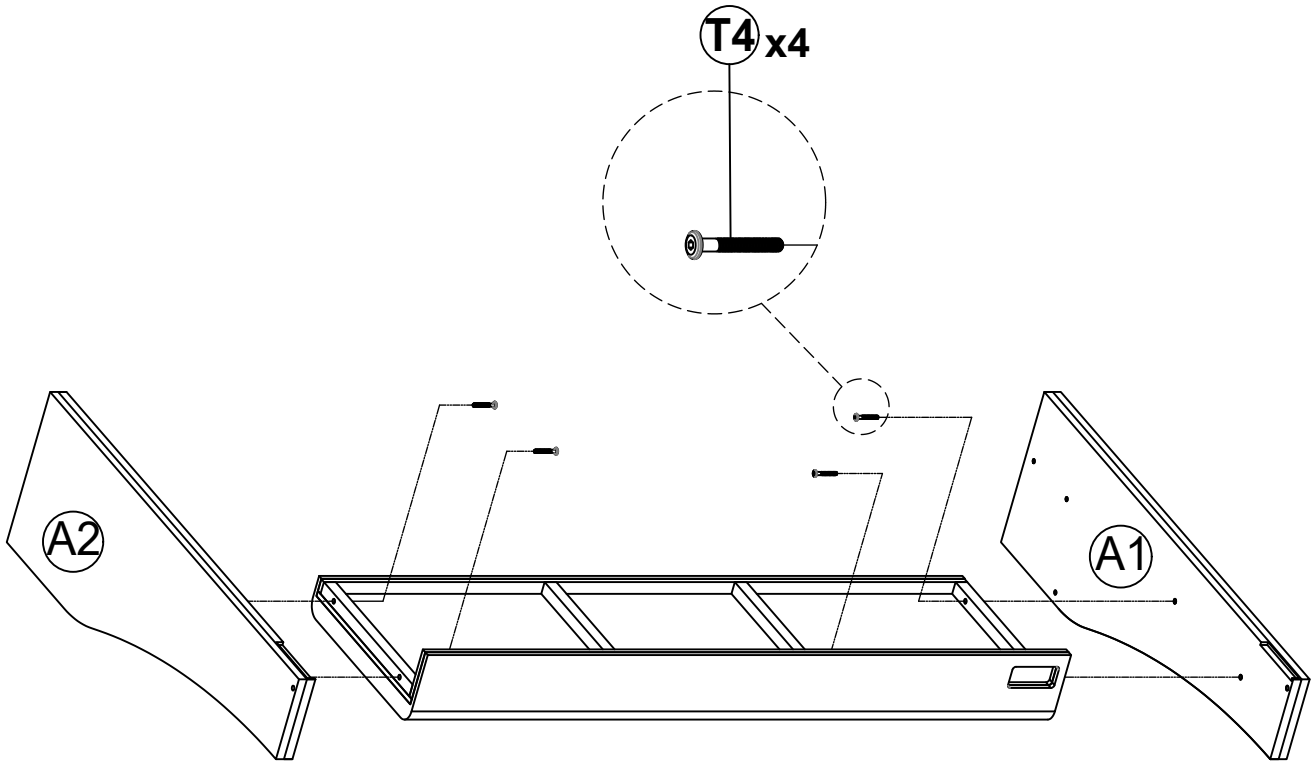
**Headboard side**

2.2

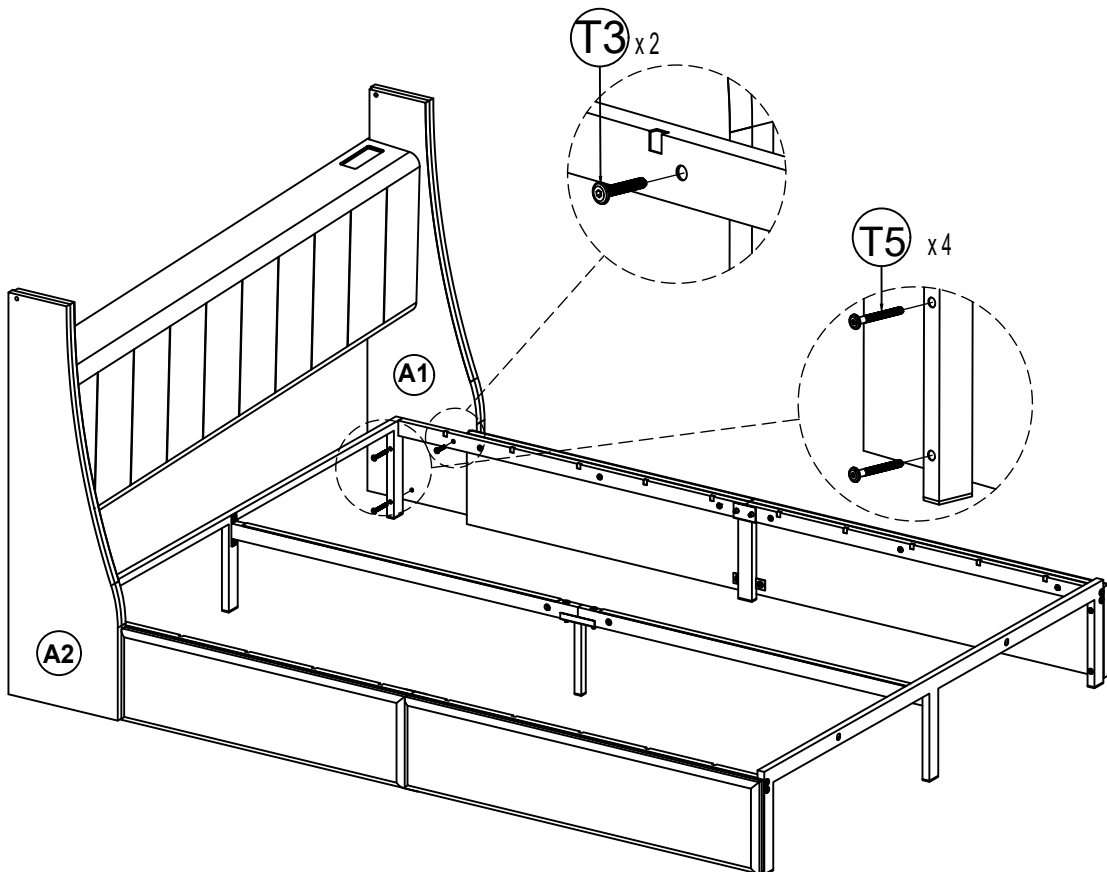


# Step 3

3.1

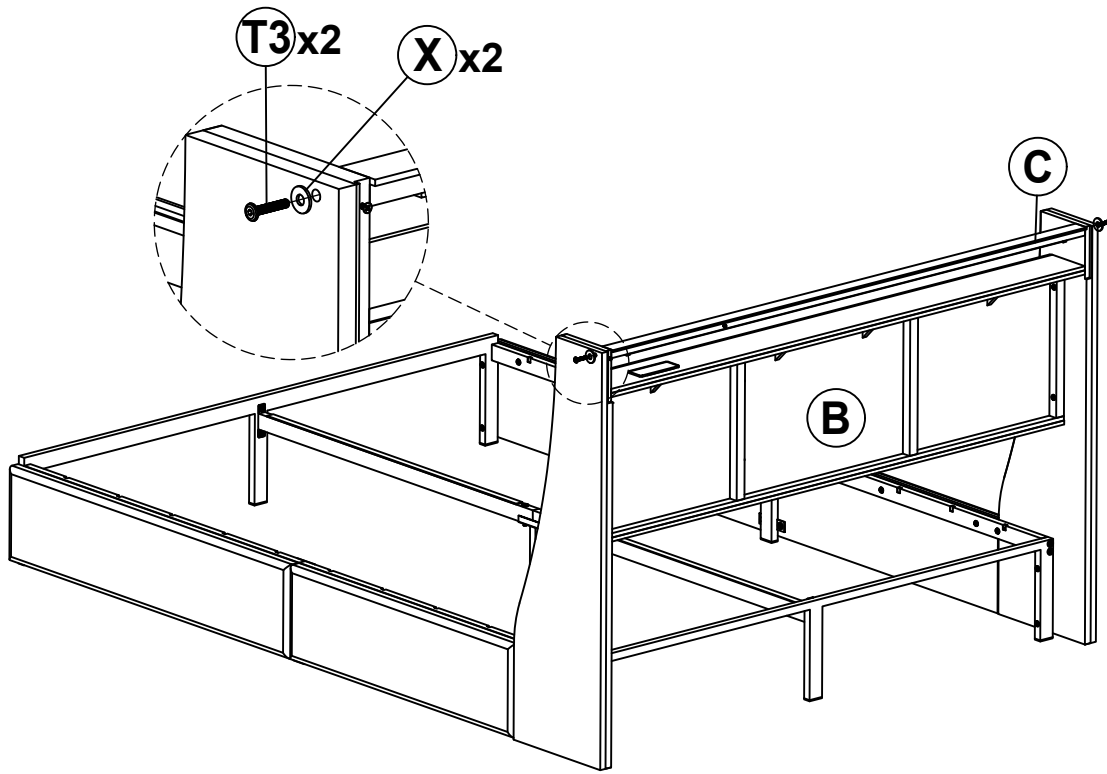


3.2

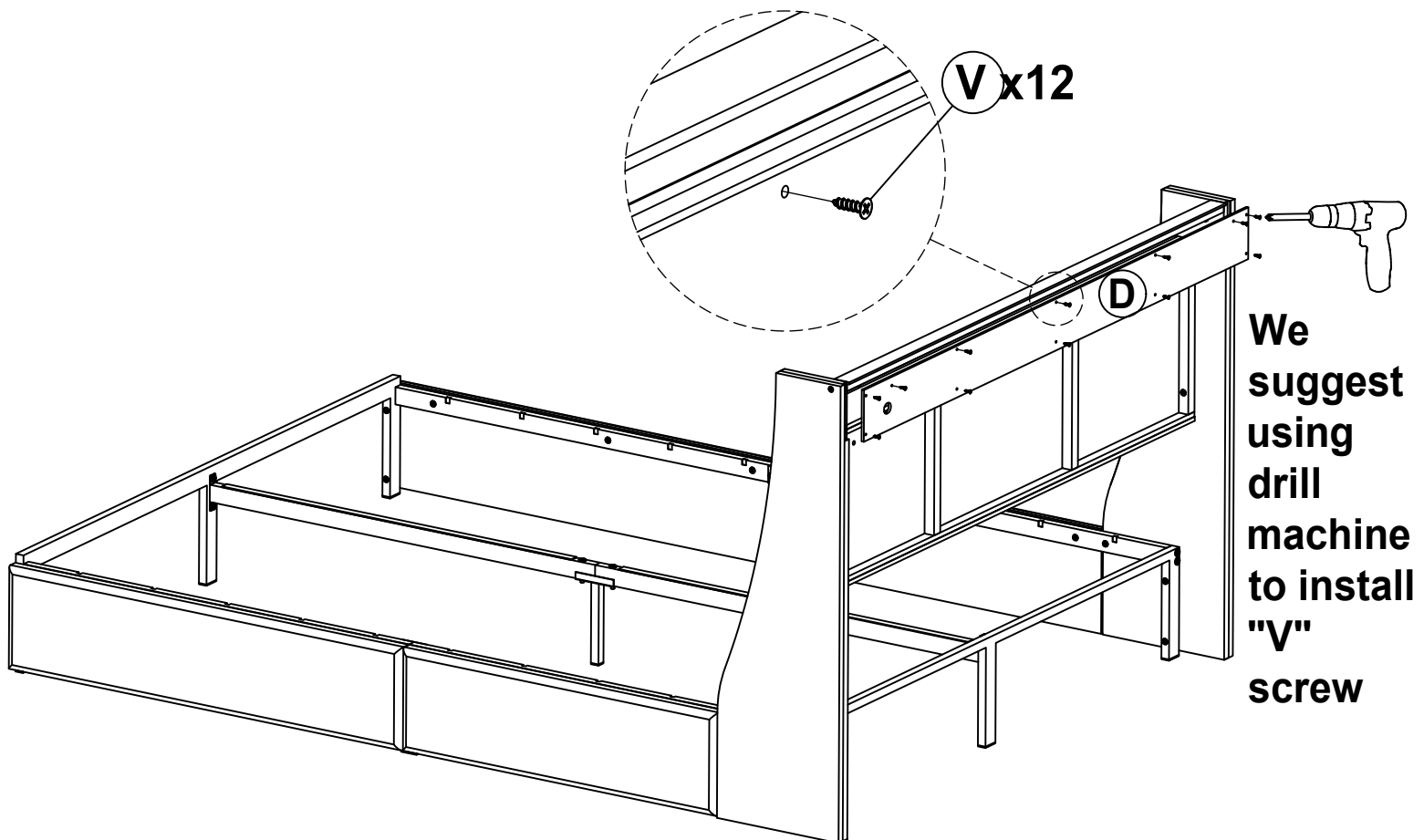


# Step 4

4.1

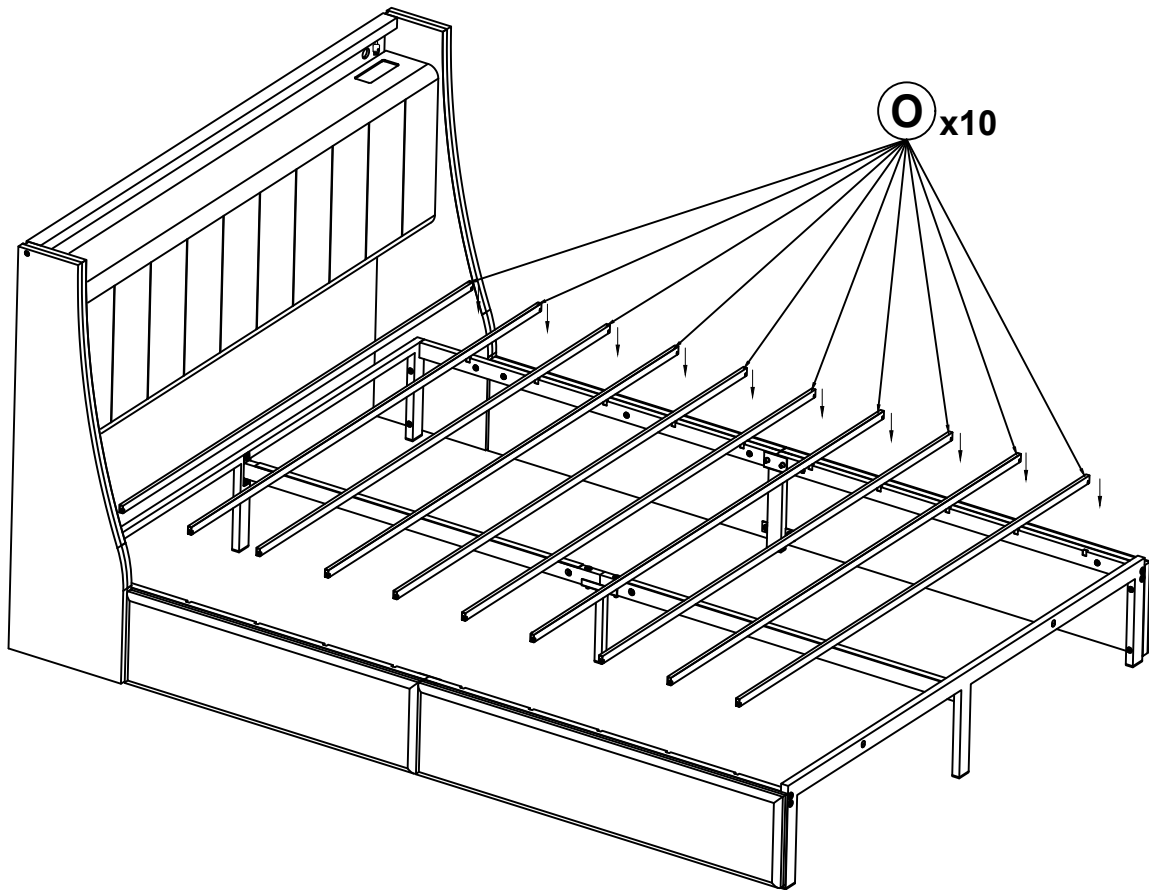


4.2



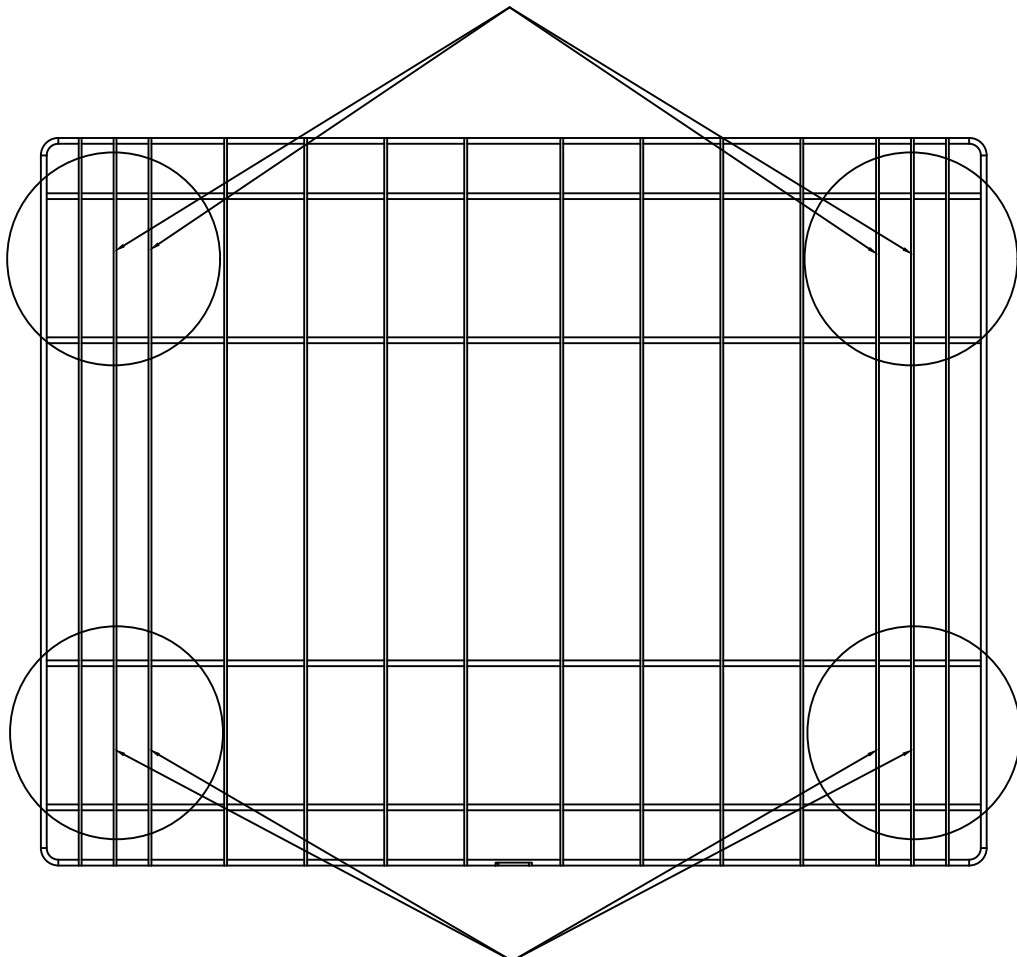
# Step 5

Tear off the double-sided adhesive tape before place the mattress.

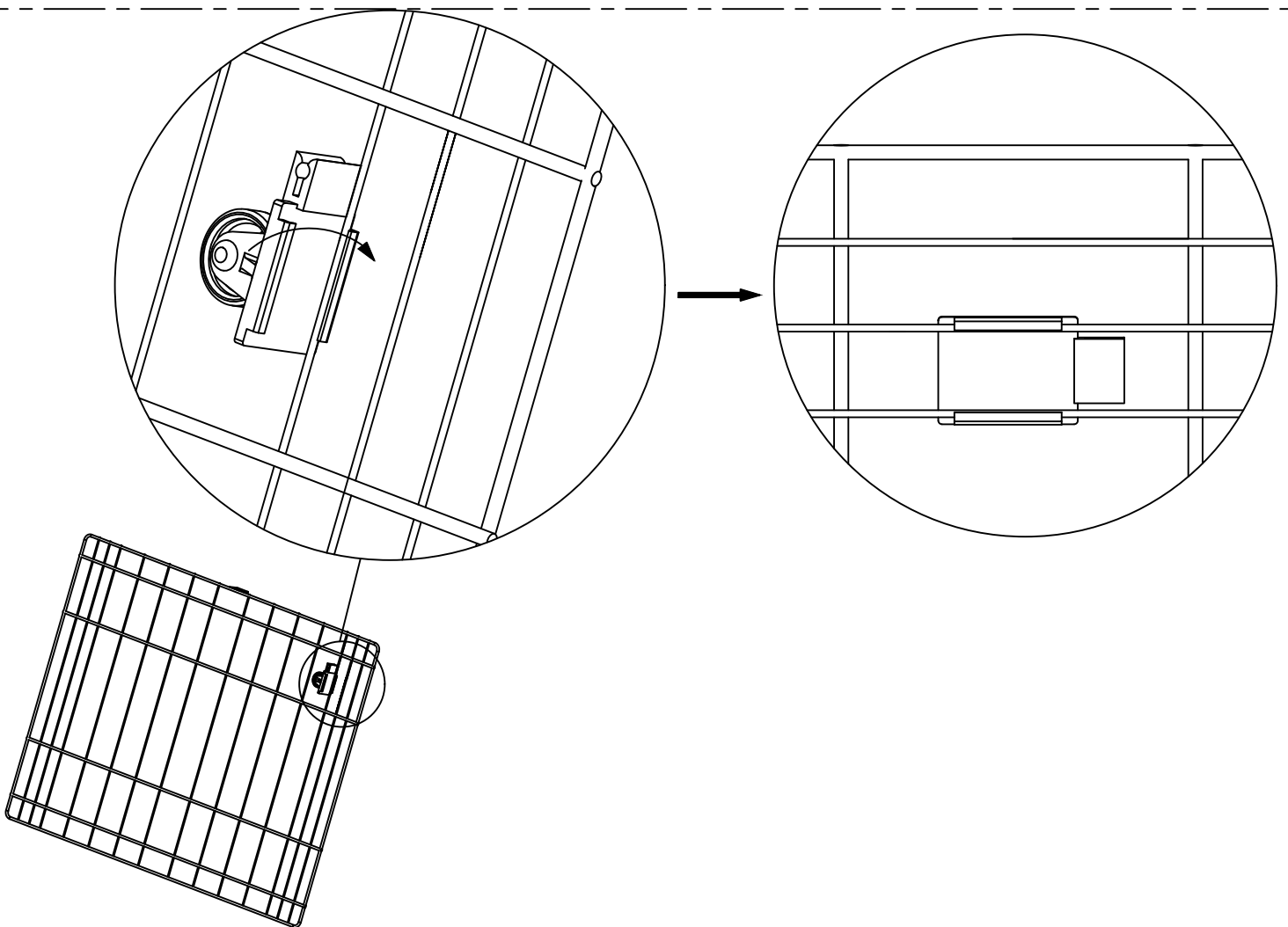
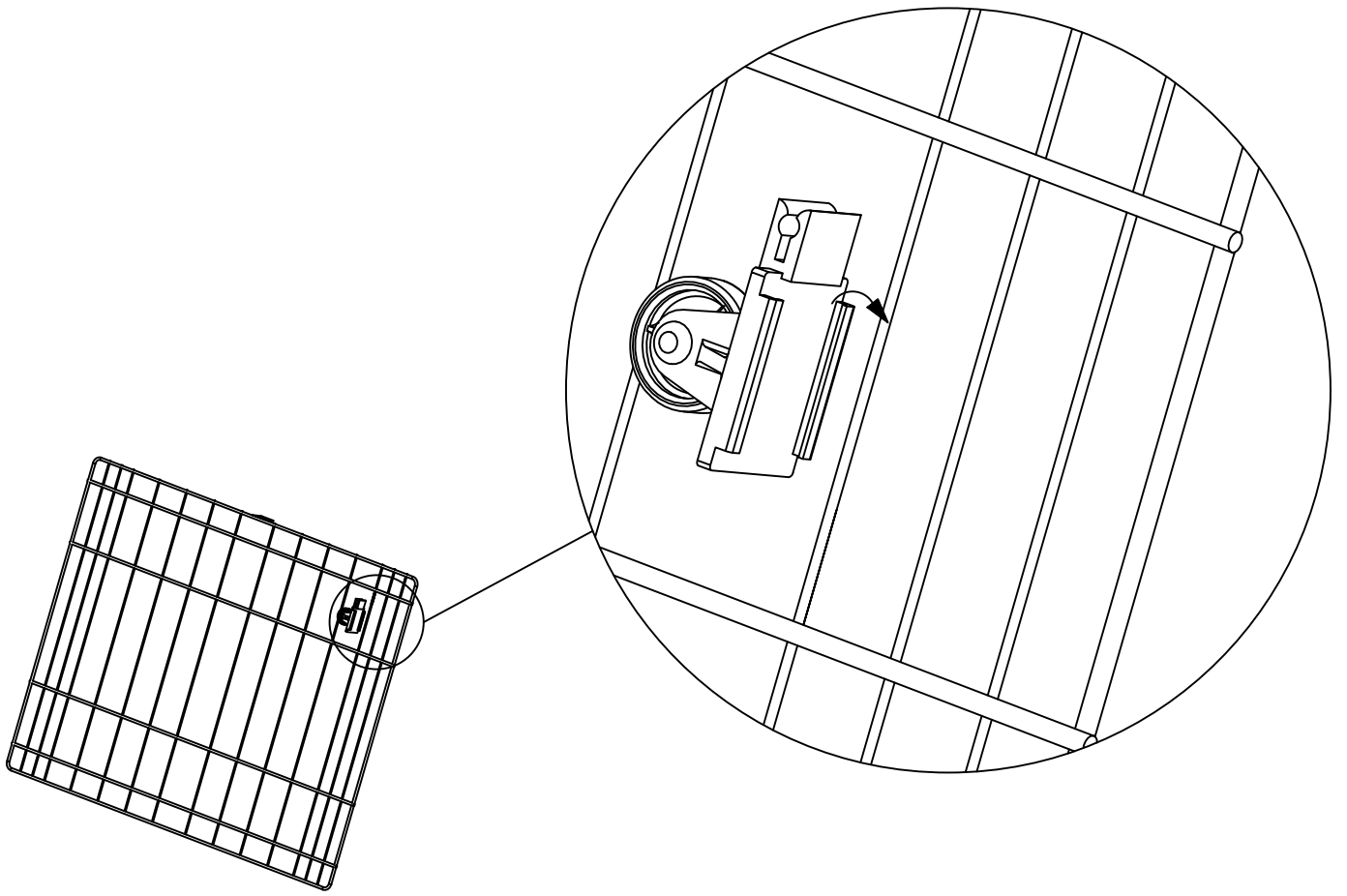


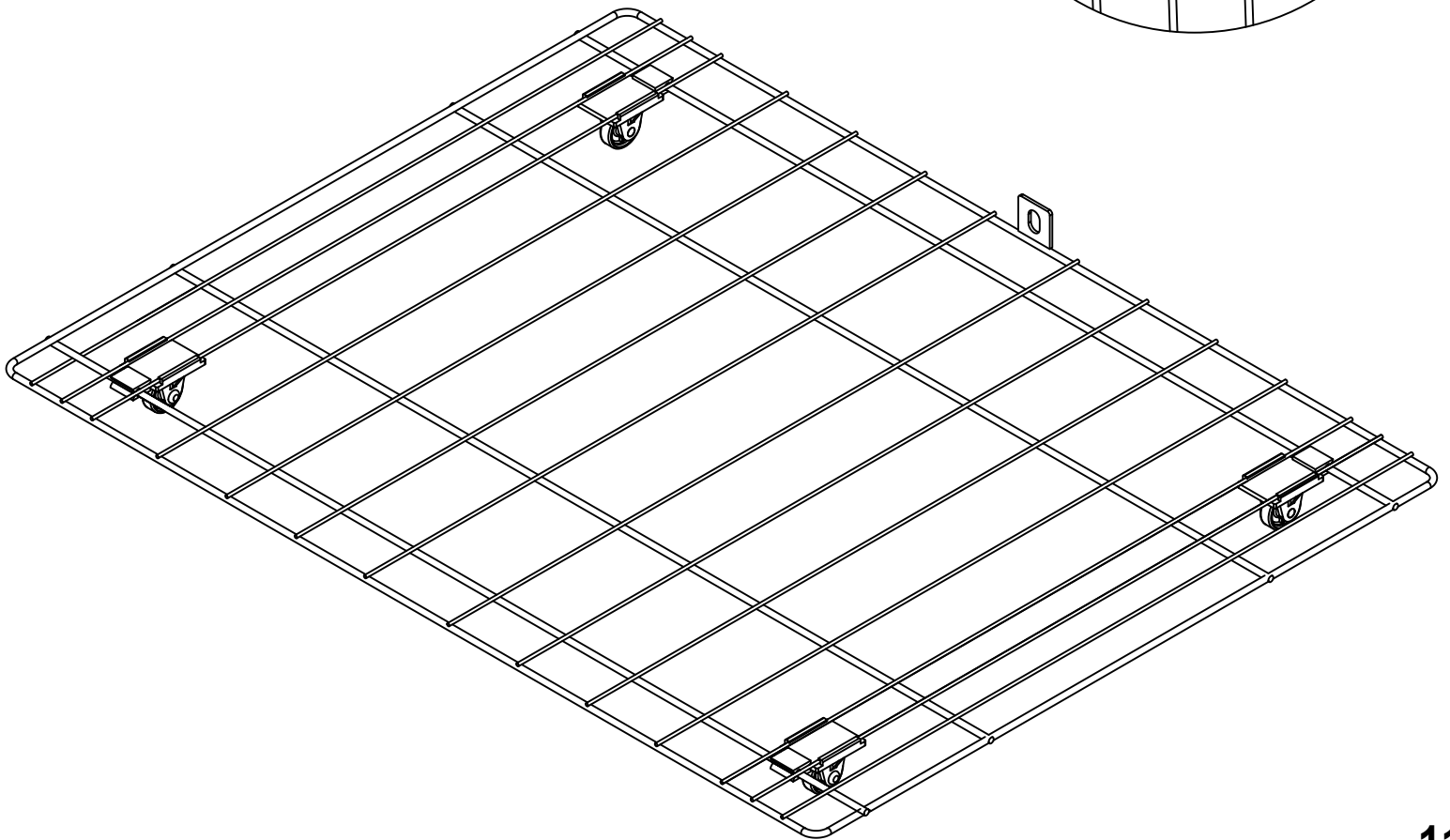
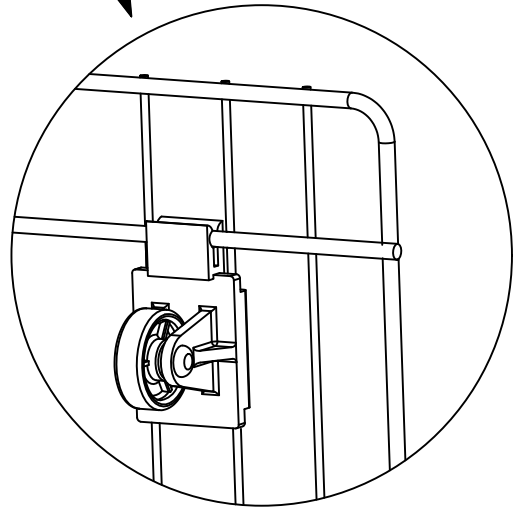
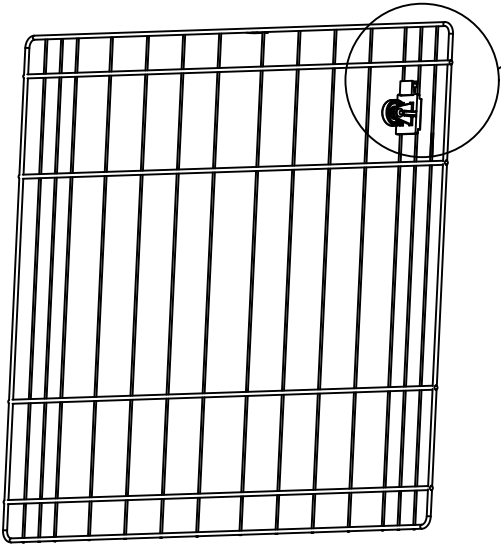
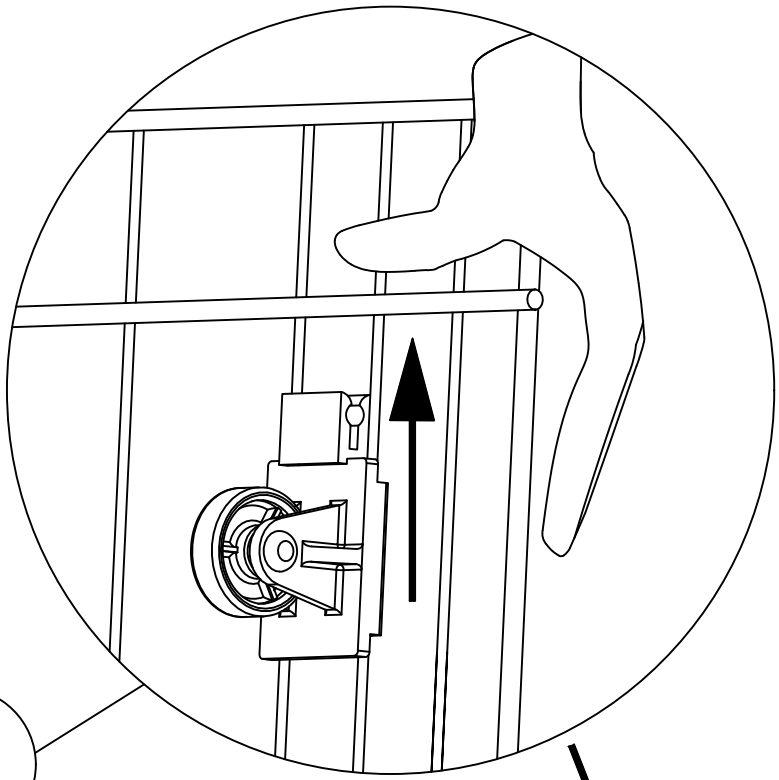
## Step 6

### Wheel mounting position



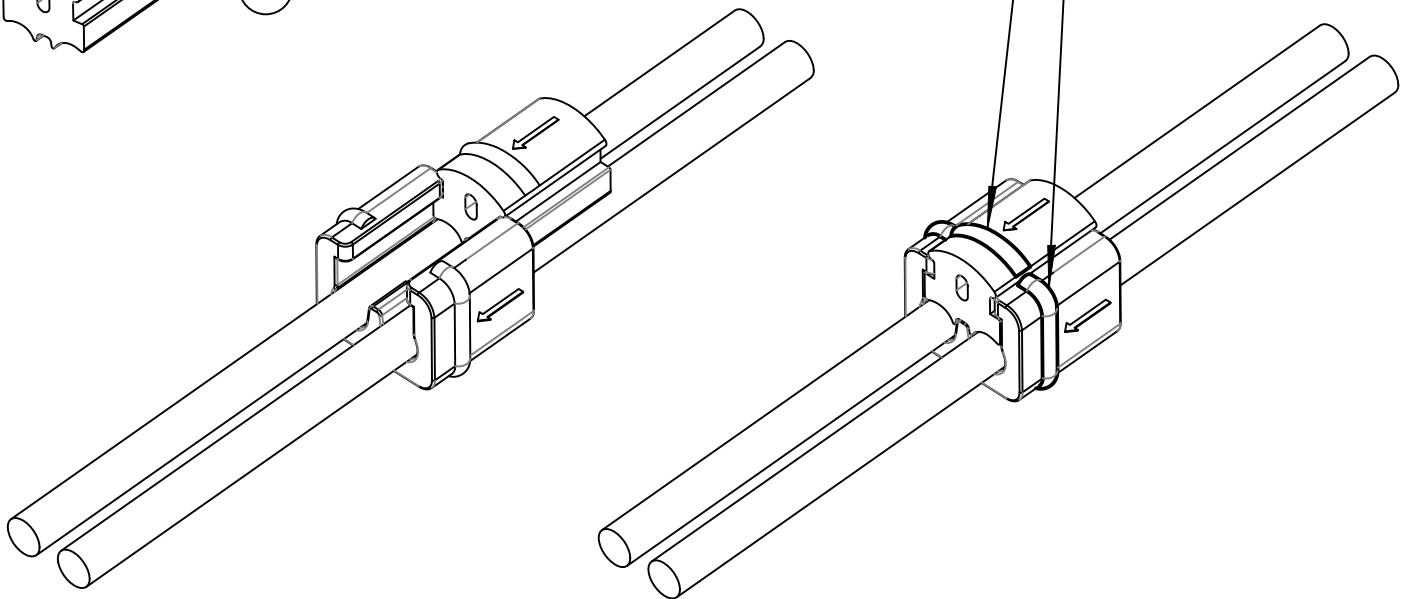
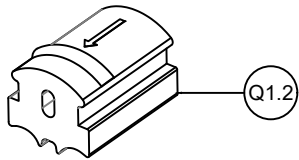
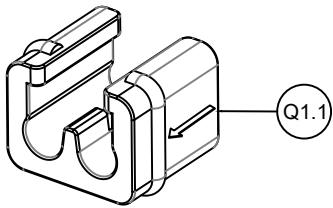
### Wheel mounting position





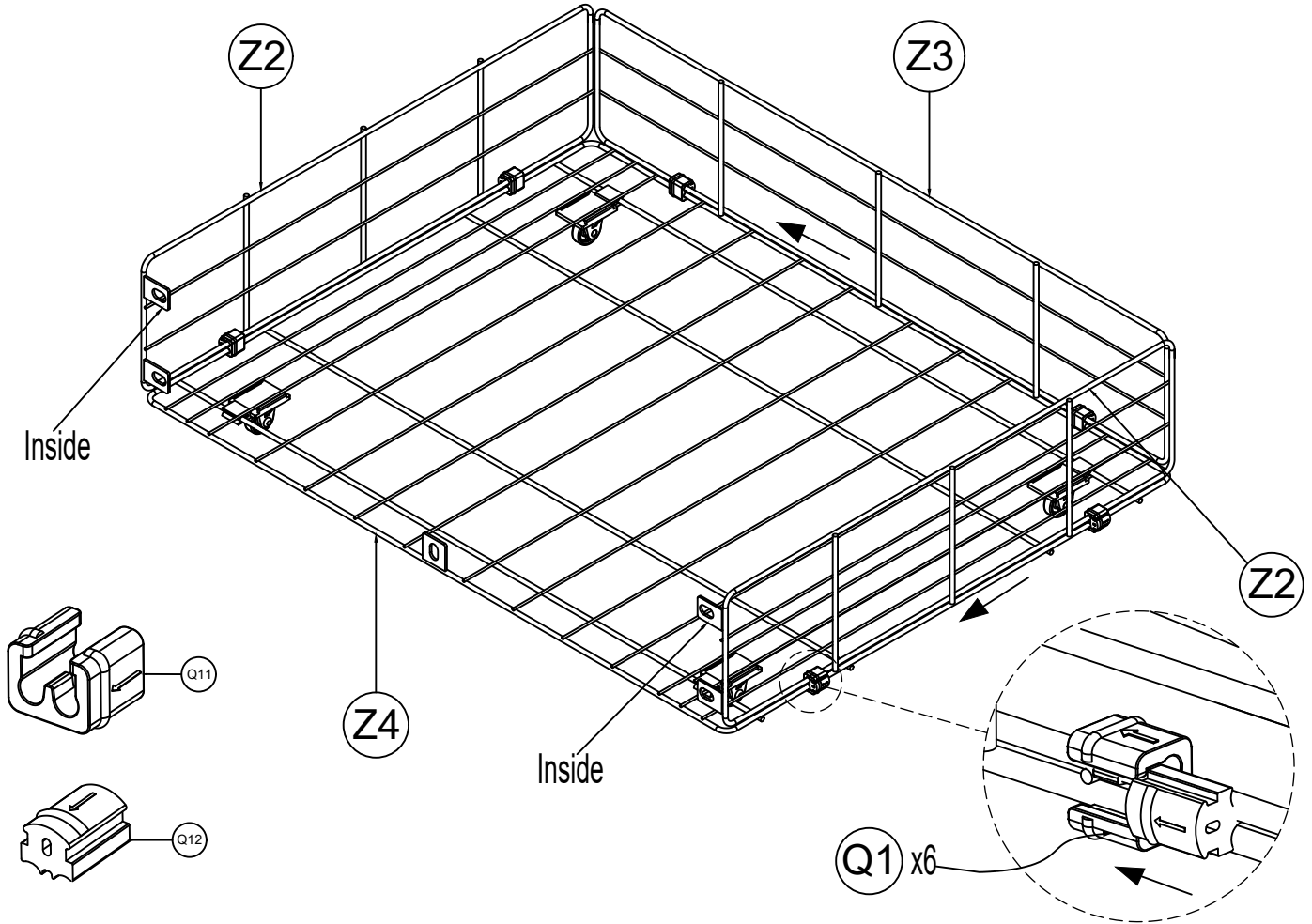
# Detailed assembly instructions Q1

these two  
lines on Q1.1  
and Q1.2 need  
to be matched

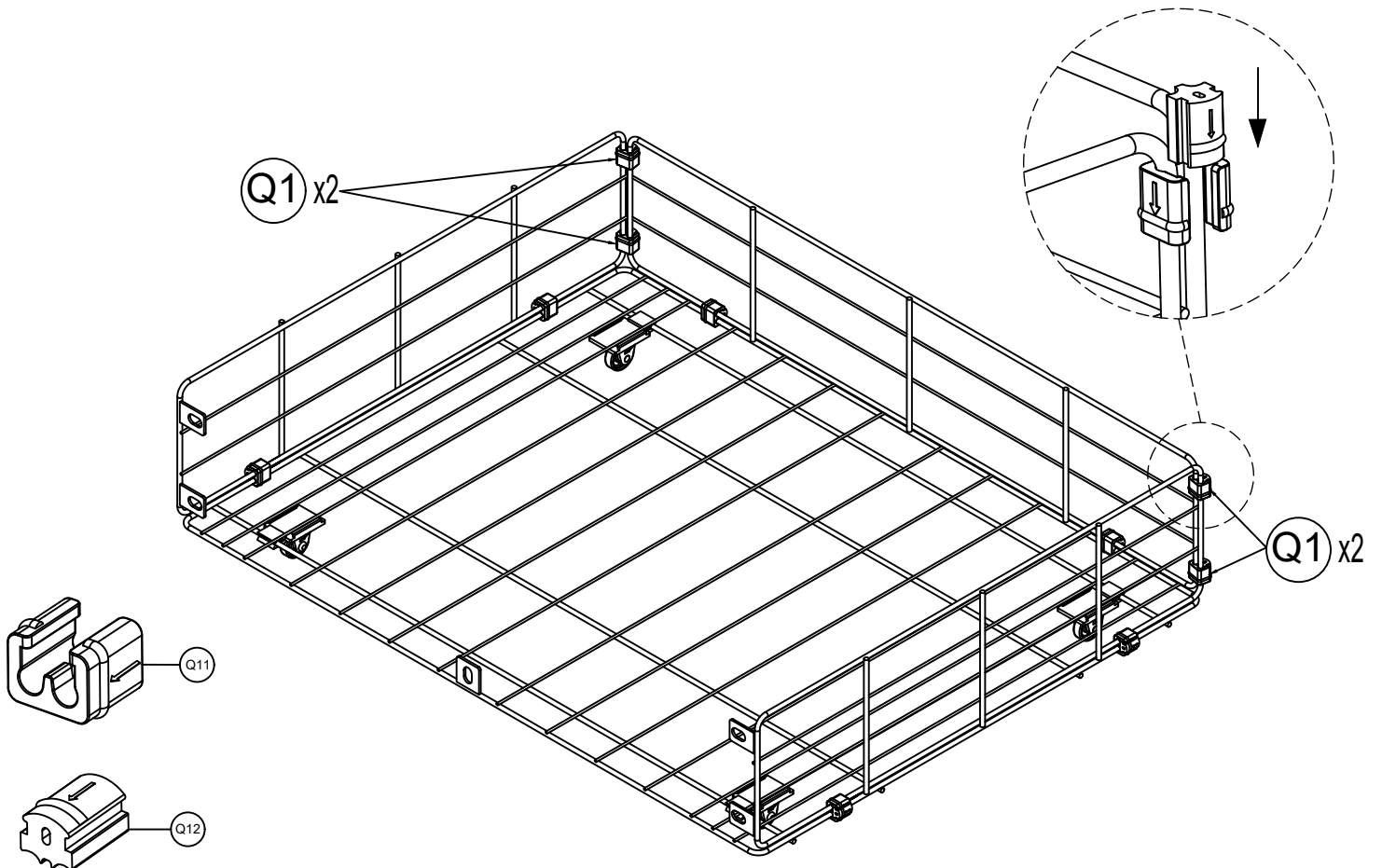


7.1

# Step 7

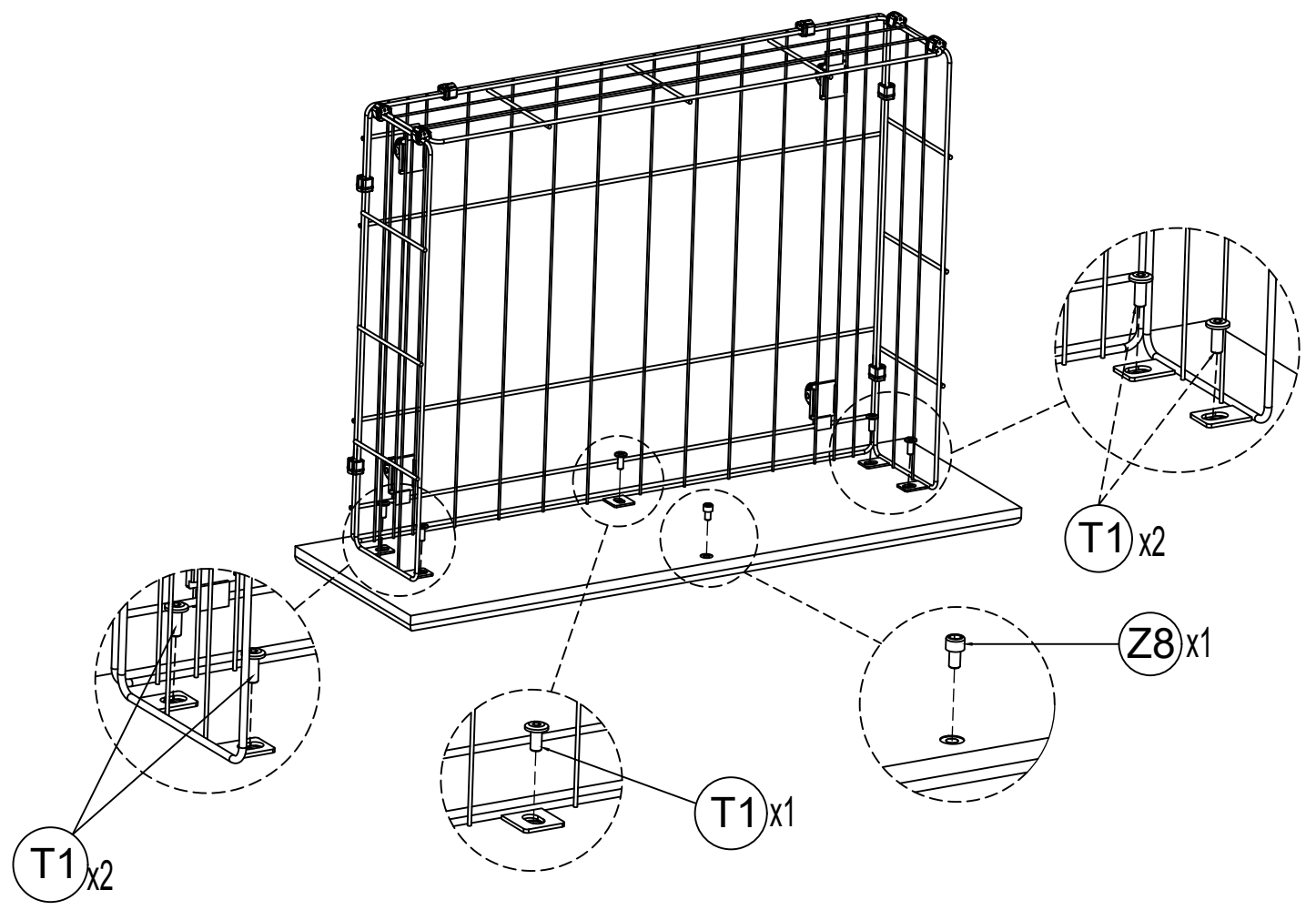


7.2

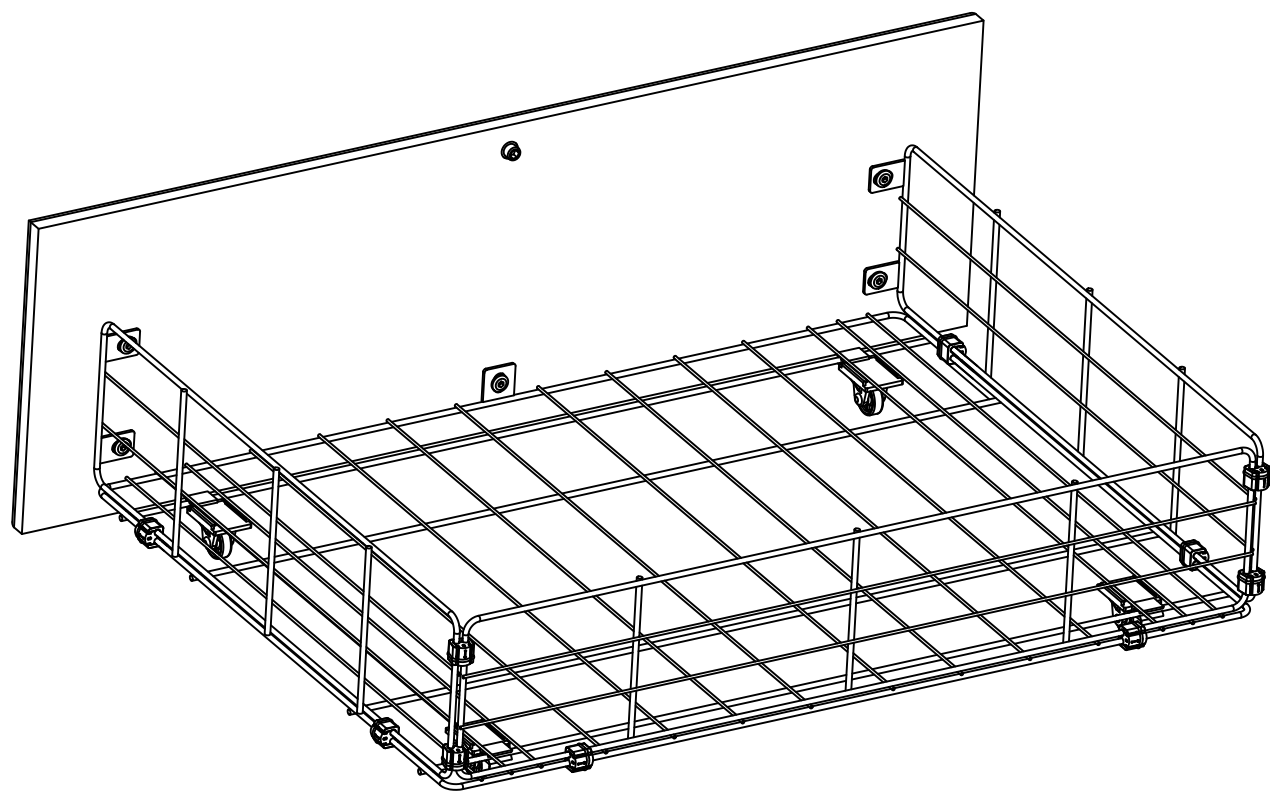


8.1

# Step 8



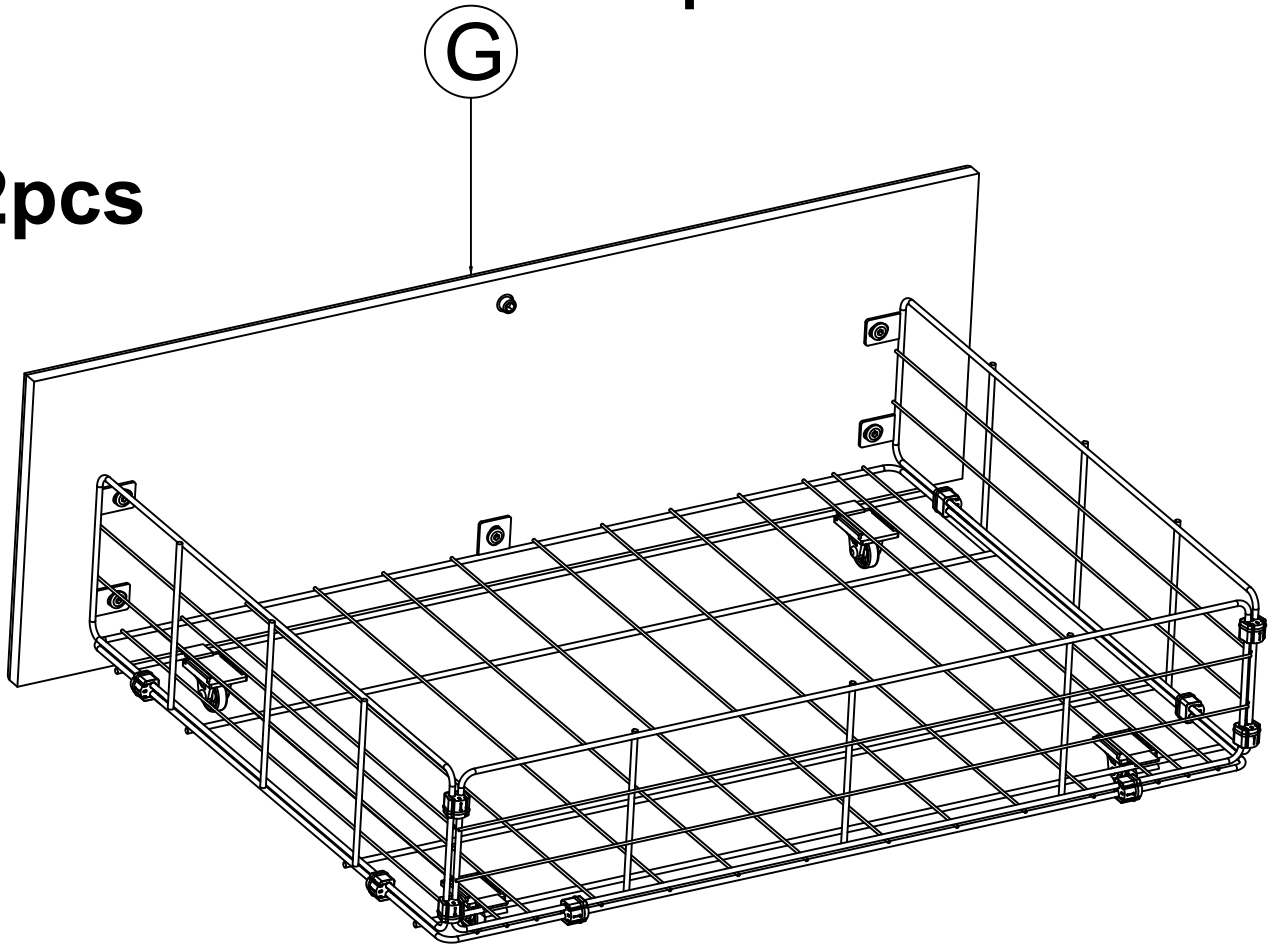
8.2



9.1

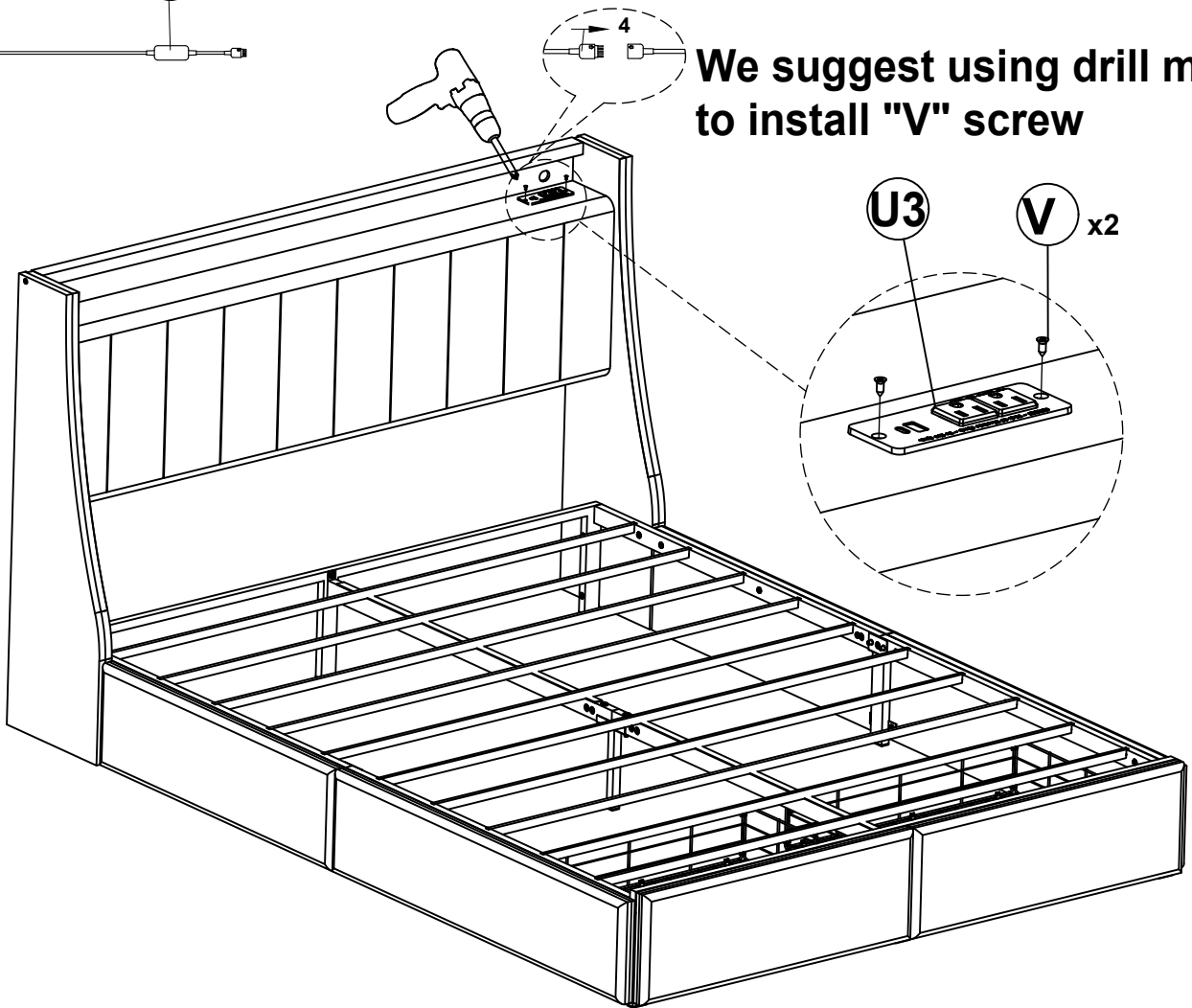
# Step 9

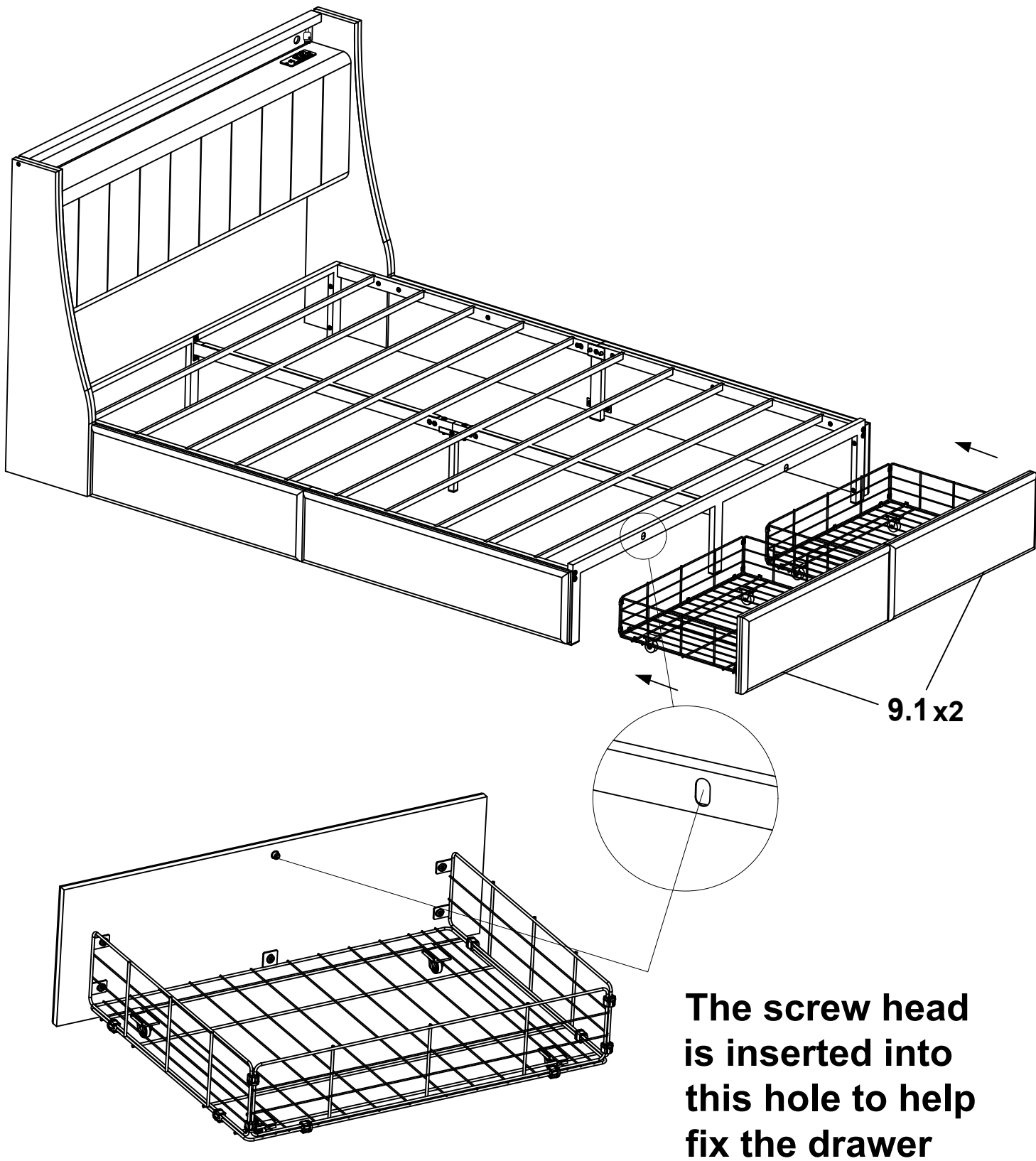
2pcs



9.2

U1 X1





# REMOTE CONTROL

