

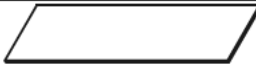





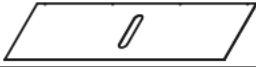


CARE AND MAINTENANCE

Spot clean using a mild water-free solvent. Only a professional cleaner should undertake a complete overall cleaning.
The use of steam or water-based cleaners may cause excessive shrinking or staining.

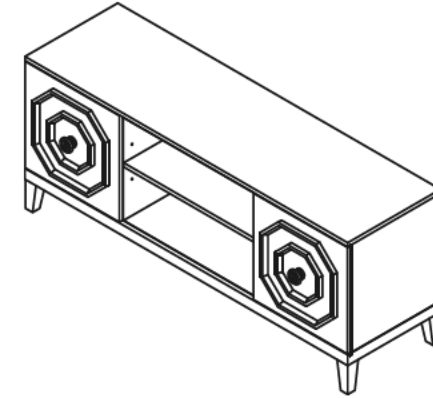
NOTICE

- * Please make sure that you have all parts indicated before you begin assembly of this item.
- * This item should be assembled on a soft surface to prevent scratching the finish during assembly.
- * This item may require periodic tightening.

Part List and Hardware List
















PIECE	DESCRIPTION	PICTURE	QUANTITY
A	TOP PANEL		1X
B	SIDE PANEL		2X
C	DIVIDER		2X
D	ADJUSTABLE SHELF		1X
E	RAIL		2X
F	BOTTOM PANEL		1X
G	BACK PANEL		1X
H	LEG		4X
I	DOOR		2X

Product Dimensions: 54"W x 15 1/2"D x 22"H



WEIGHT CAPACITY :
TOP : 50 LBS
SHELF : 30 LBS

**WARNING: DO NOT OVER TORQUE
BOLTS/SCREWS**

PIECE	DESCRIPTION	PICTURE	QUANTITY
1	40 MM BOLT	M6x40mm 	8X
2	SPRING WASHER		8X
3	FLAT WASHER		8X
4	1" ROUND HEAD SCREW	M4x25mm 	6X
5	1/2" ROUND HEAD SCREW	M3x13mm 	20X
6	5/8" FLAT HEAD SCREW	M3x16mm 	7X
7	CAMBOLT		20X
8	CAMLOCK		20X
9	HINGE		4X
10	SHELF SUPPORT PIN		4X
11	HANDLE BOLT		2X
12	HANDLE		2X
13	WEDGE		7X
14	DOWEL		16X
15	ALLEN KEY		1X

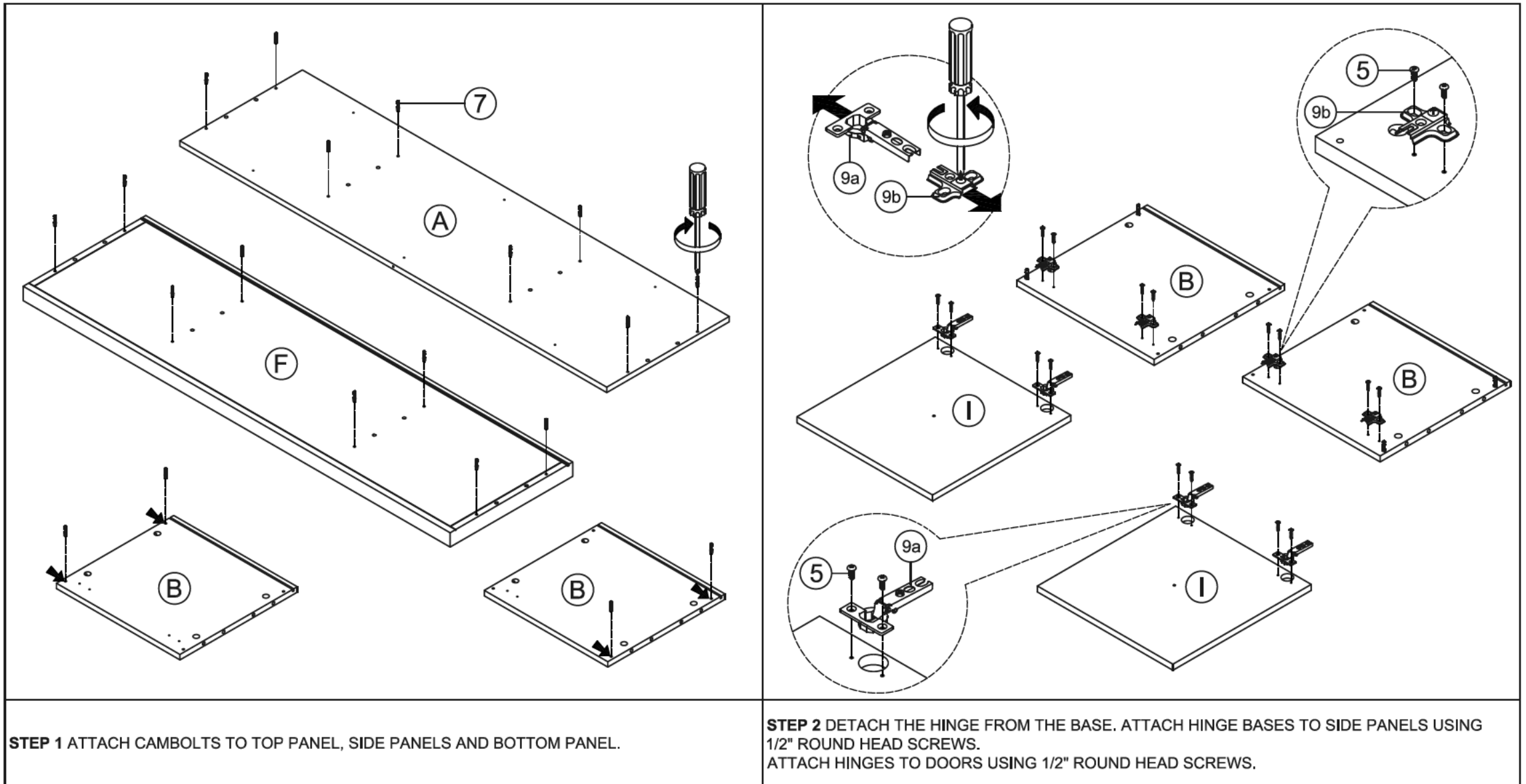
PREPARATION

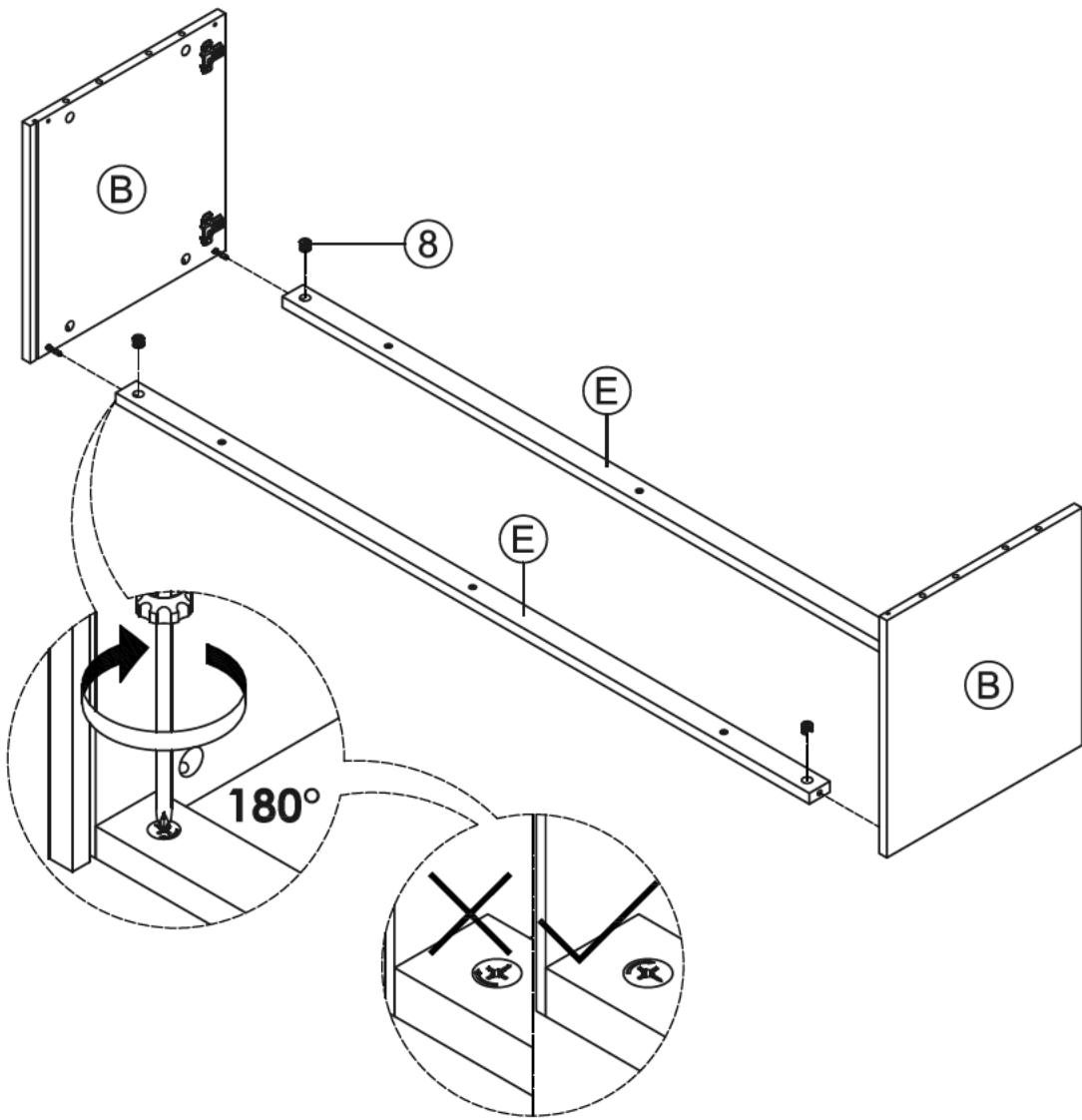
Before beginning assembly of product, make sure all parts are present. Compare parts with package contents list and hardware contents list.

If any part is missing or damaged, do not attempt to assemble the product.

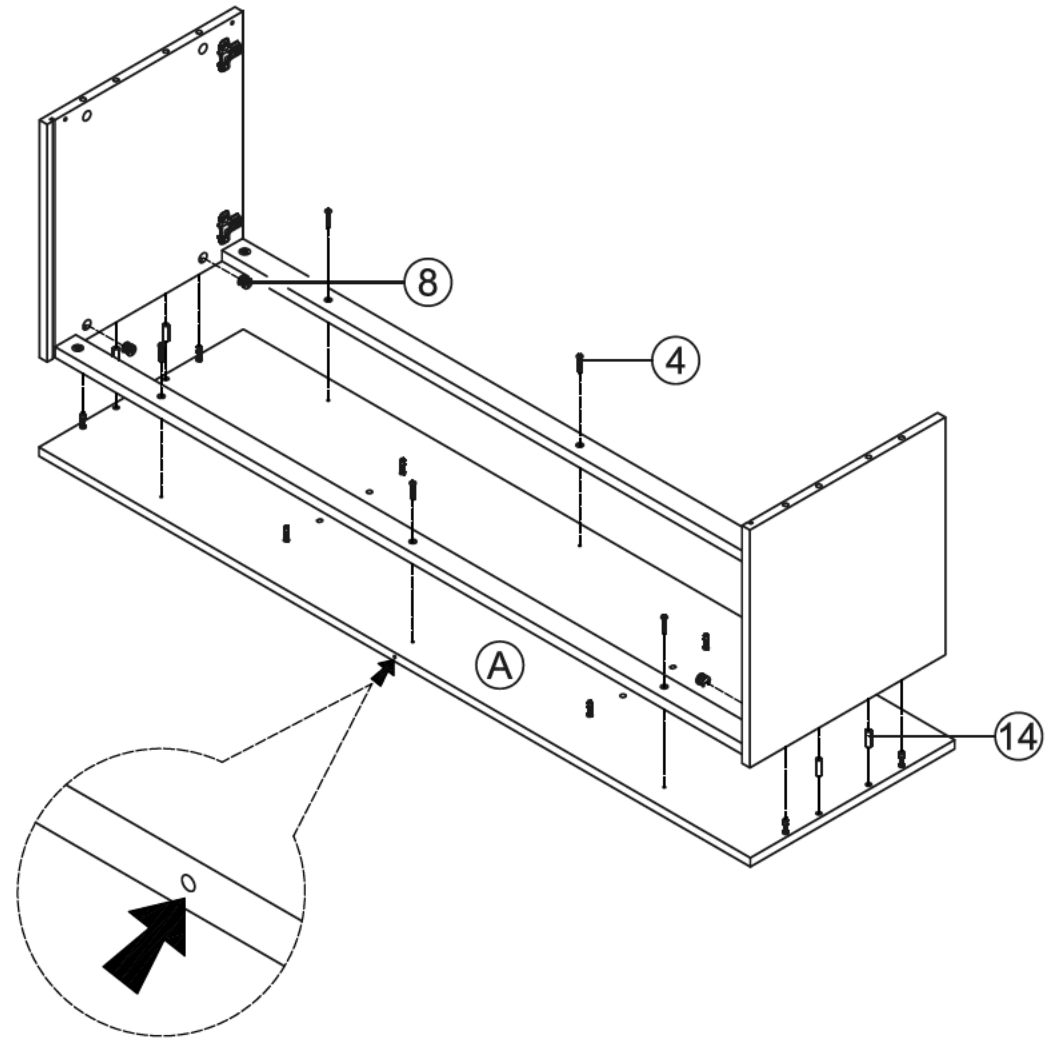
Estimated Assembly Time: 60 minutes.

Tools Required for Assembly : Phillips Screwdriver

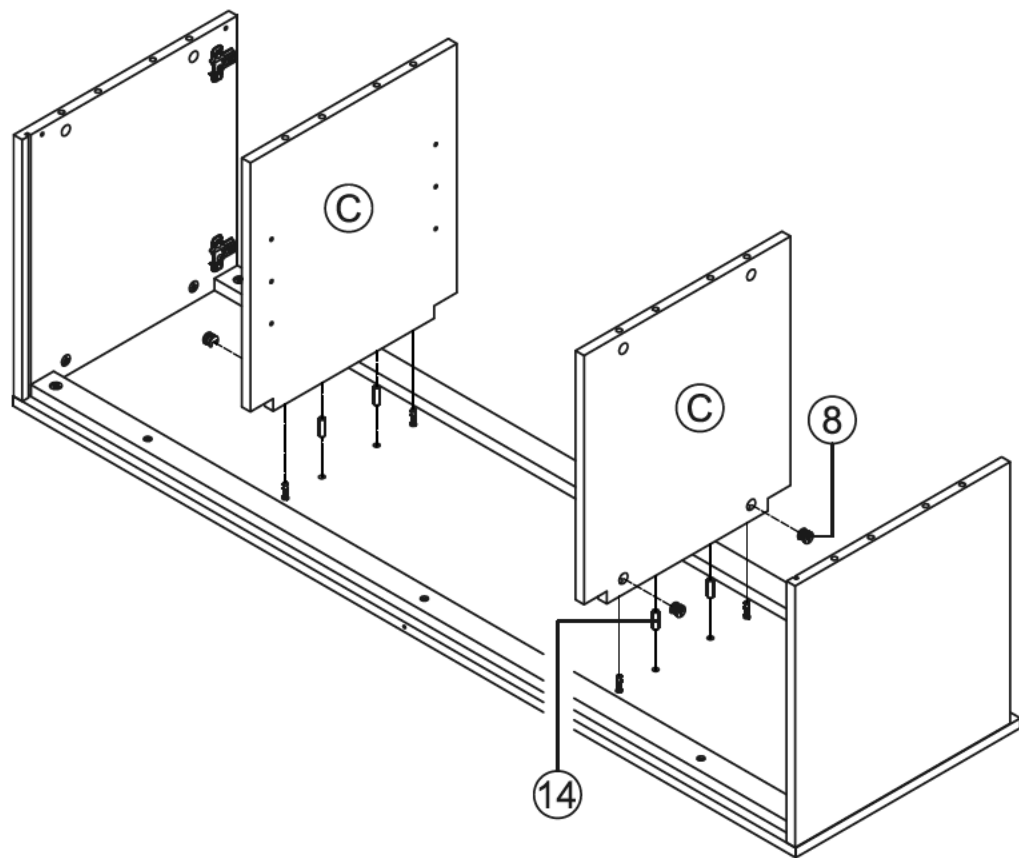




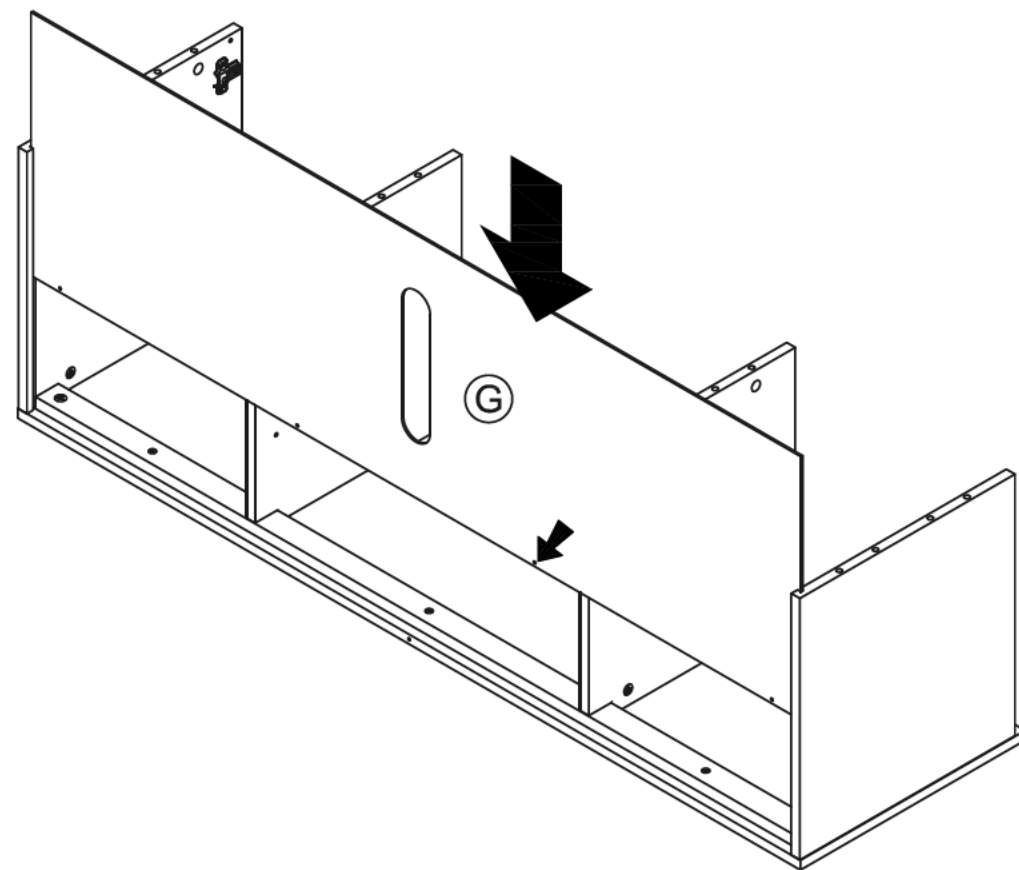
STEP 3 ATTACH RAILS TO SIDE PANELS USING CAMLOCKS.



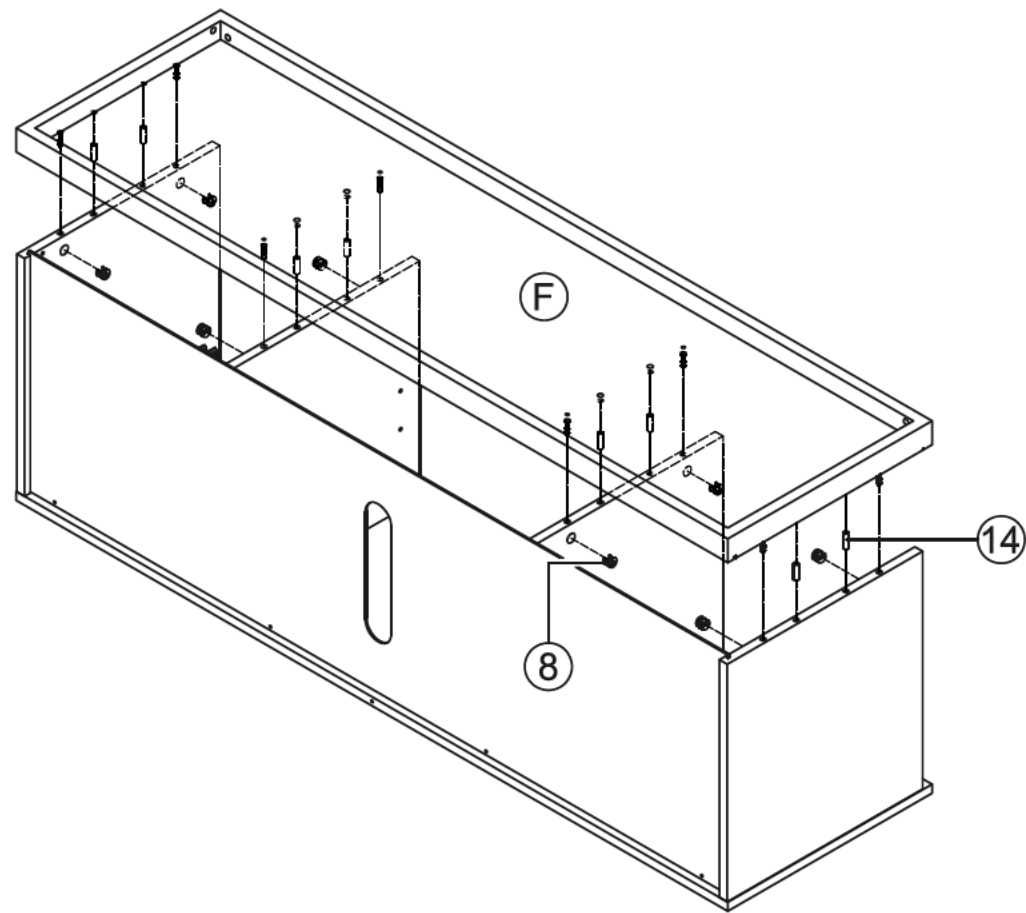
STEP 4 ATTACH UNIT TO TOP PANEL USING CAMLOCKS, DOWELS AND 1" ROUND HEAD SCREWS.



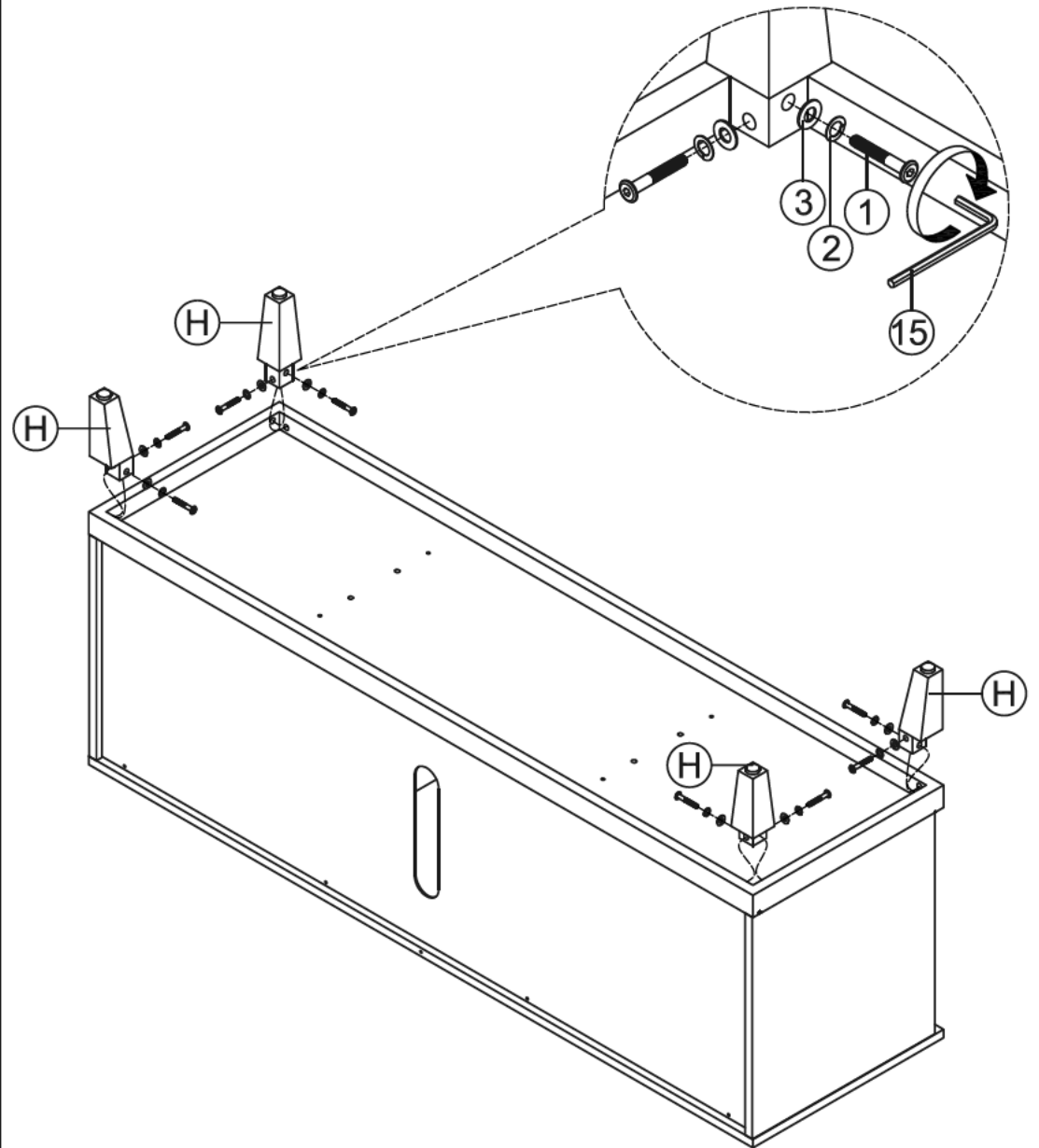
STEP 5 ATTACH DIVIDERS TO UNIT USING CAMLOCKS AND DOWELS.



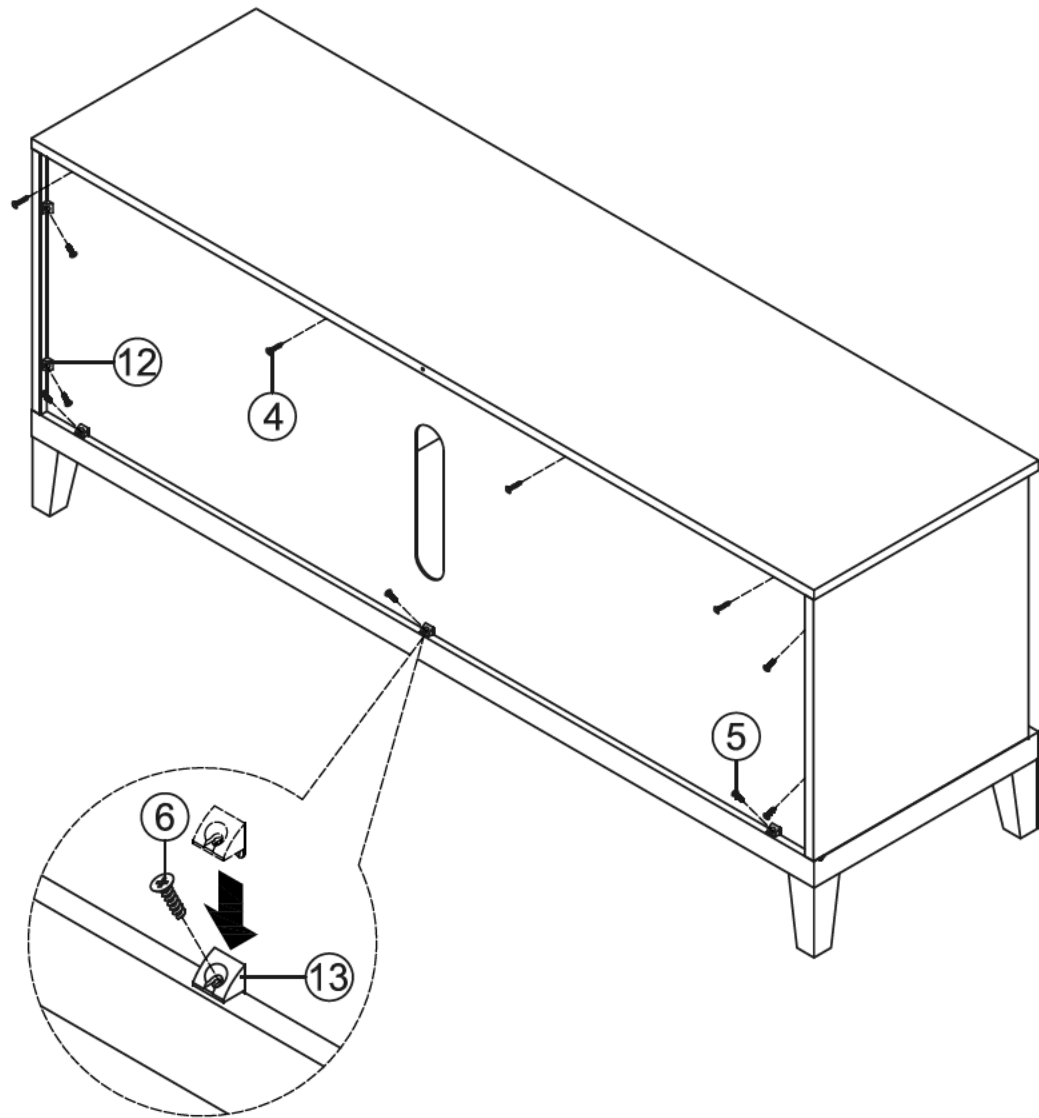
STEP 6 SLIDE BACK PANEL INTO UNIT OF GROOVE.



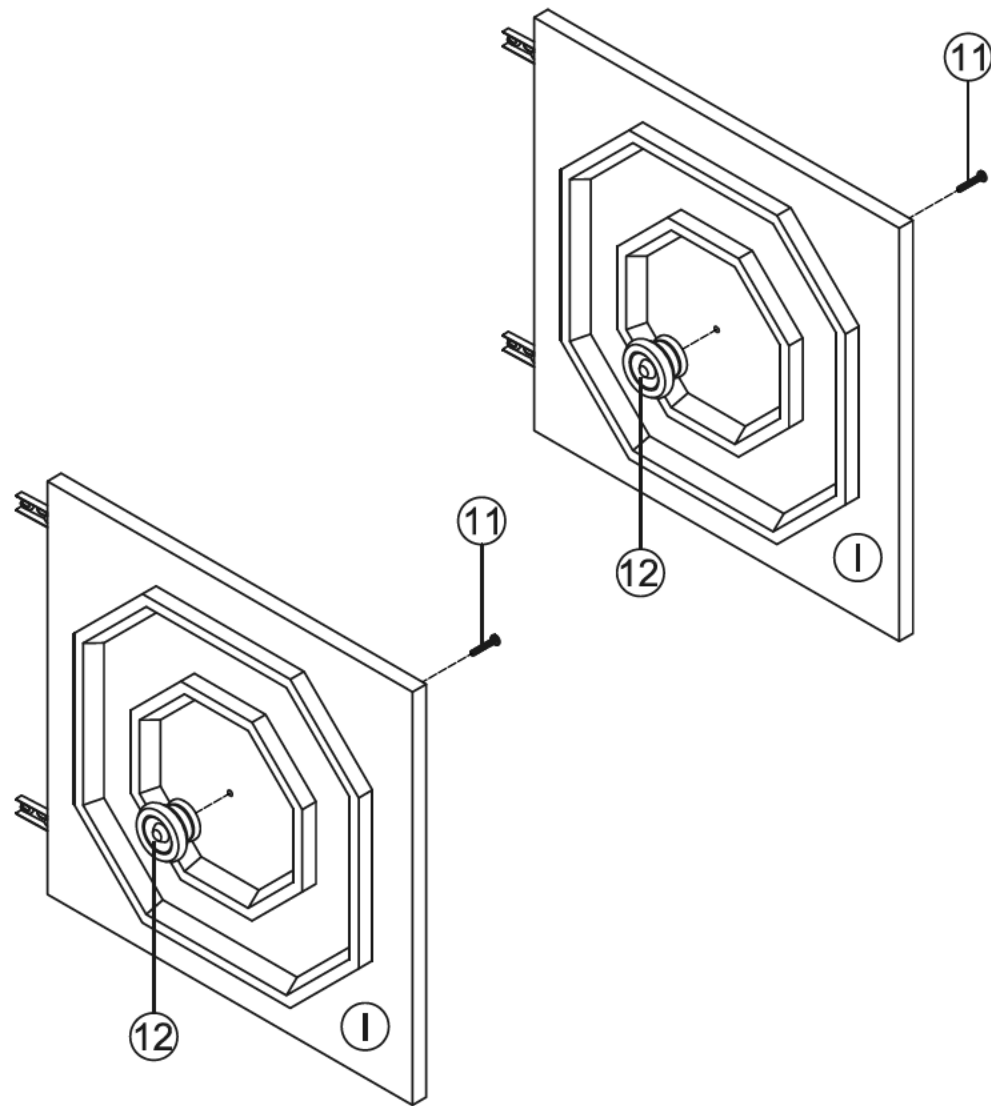
STEP 7 ATTACH BOTTOM PANEL TO UNIT USING CAM LOCKS AND DOWELS.



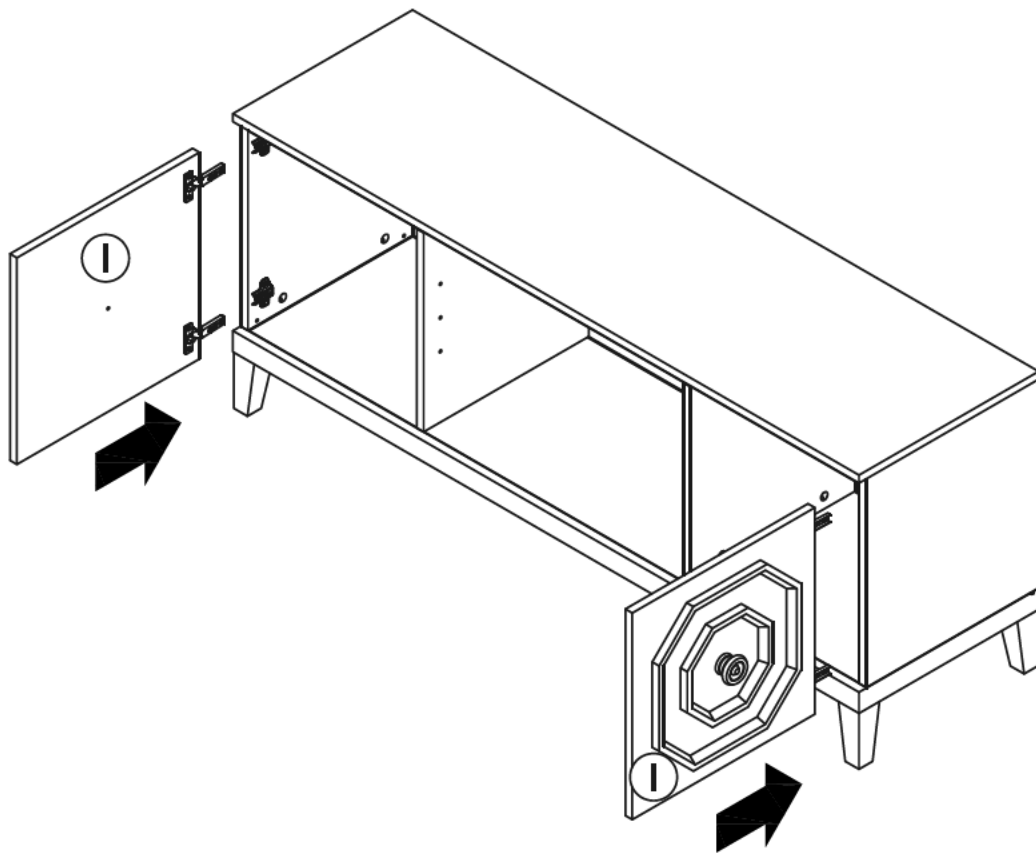
STEP 8 ATTACH LEGS TO UNIT USING 40 MM BOLTS, SPRING WASHERS AND FLAT WASHERS. TIGHTEN BOLTS USING L KEY.



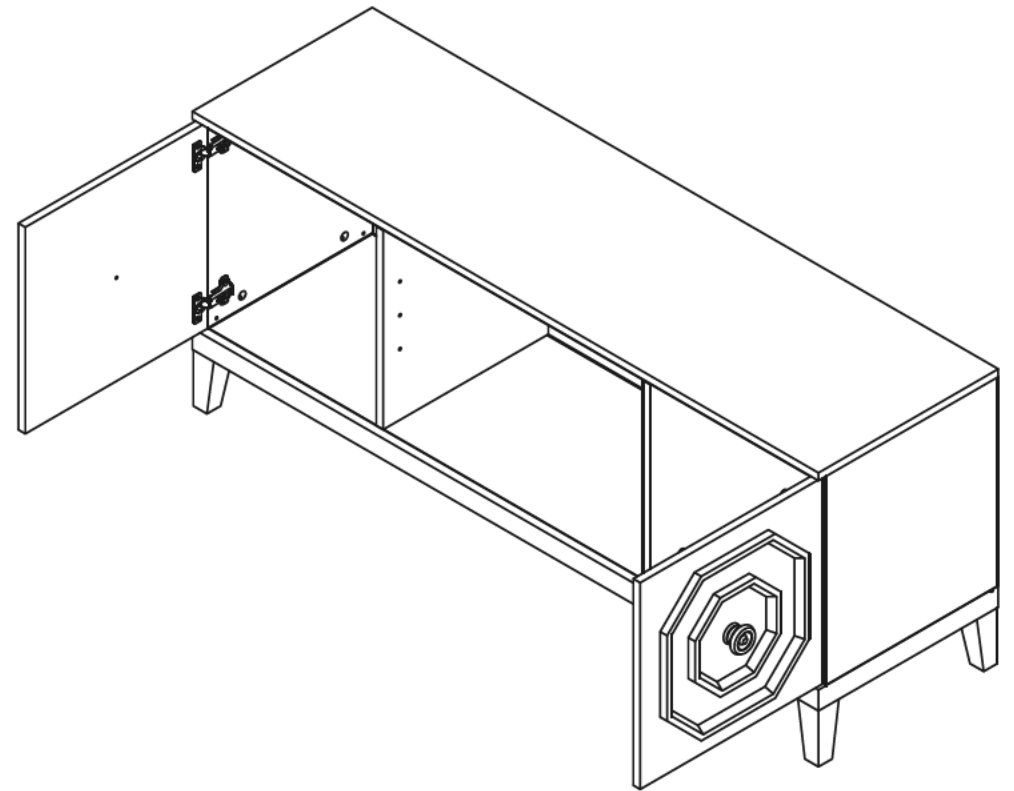
STEP 9 ATTACH WEDGES TO UNIT USING 5/8" FLAT HEAD SCREWS.
ATTACH 1/2" ROUND HEAD SCREWS TO UNIT.



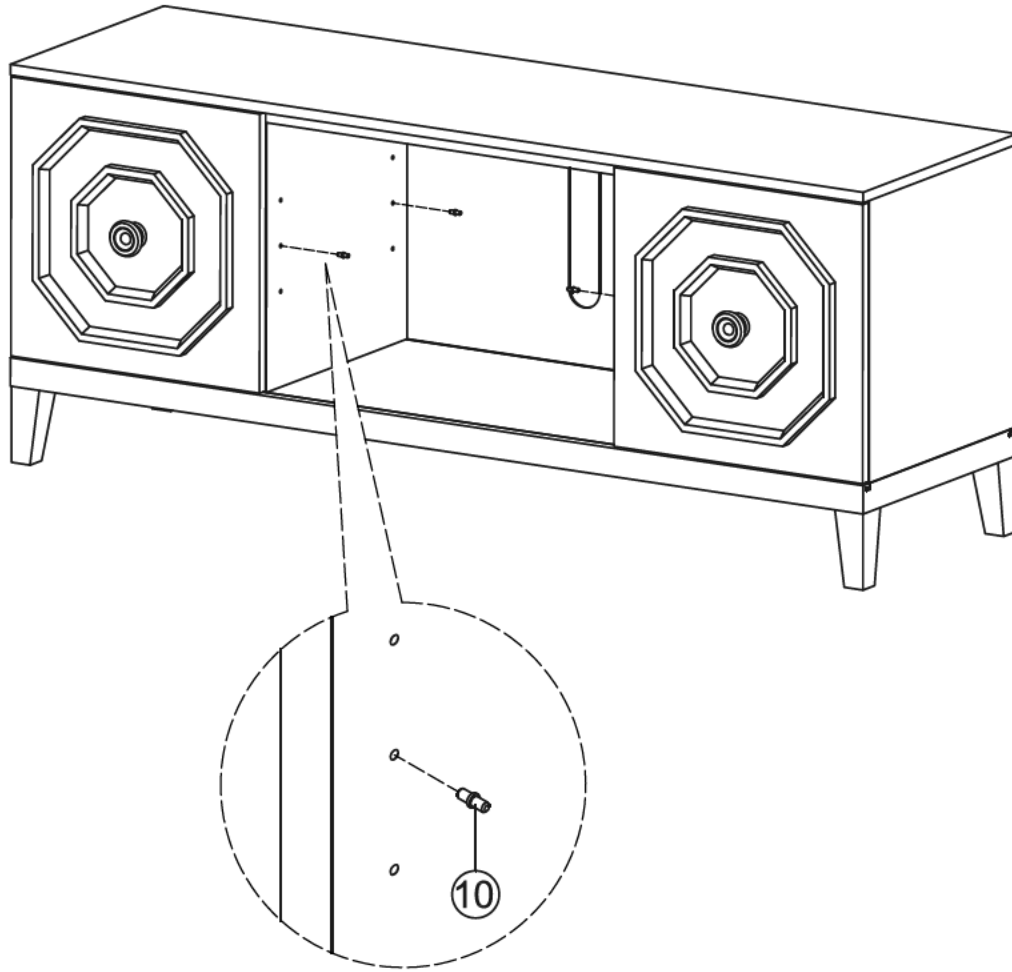
STEP 10 ATTACH HANDLE TO DOORS USING HANDLE BOLTS.



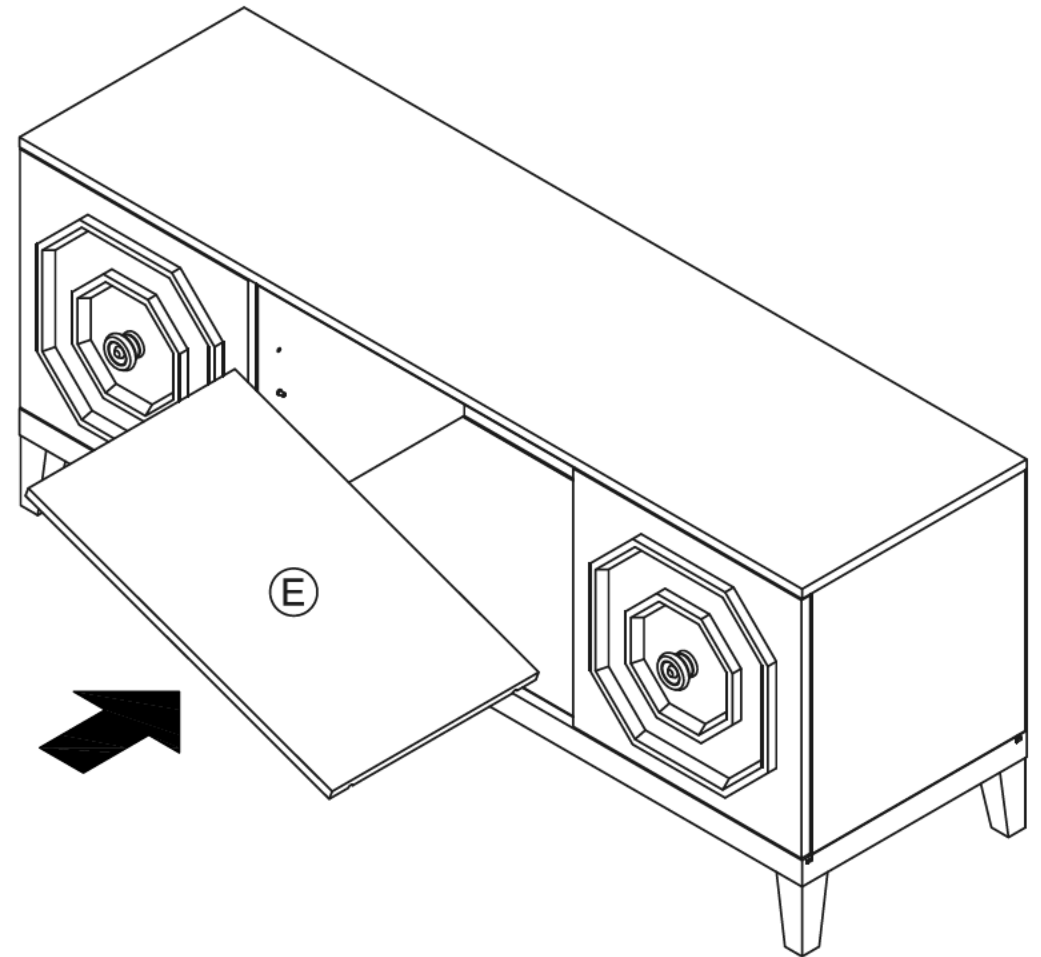
STEP 11 ATTACH DOORS TO UNIT.



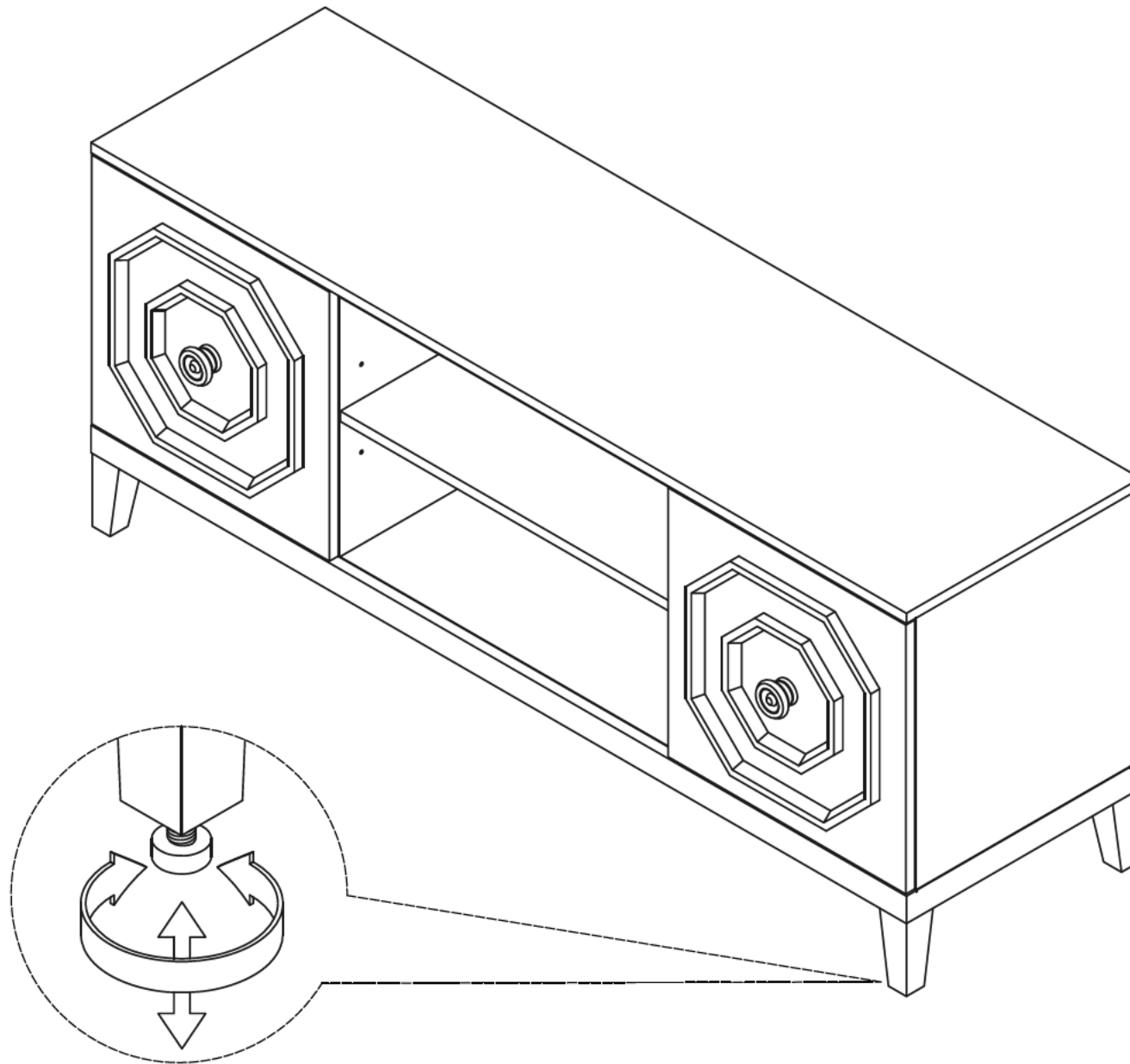
STEP 12 FRONT MIDDLE SCREW ON HINGE WILL ADJUST YOUR DOOR TO THE LEFT AND RIGHT. BACK MIDDLE SCREW ON HINGE WILL ADJUST YOUR DOOR FORWARD AND BACKWARD. SCREW ON HINGE BASE WILL ADJUST YOUR DOOR UP AND DOWN.



STEP 13 INSERT SHELF SUPPORT PINS INTO PANEL AT DESIRED LEVEL.



STEP 14 PLACE ADJUSTABLE SHELF INTO POSITION.



STEP 15 ADJUST THE ADJUSTER THAT HAS ALREADY BEEN ASSEMBLED TO THE LEGS TO STABILIZE YOUR UNIT.