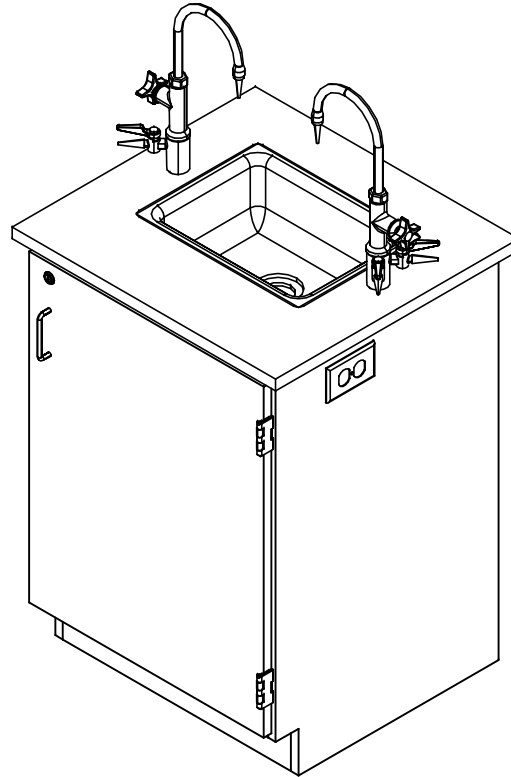


SERVICE ISLAND

3116K ASSEMBLY INSTRUCTIONS



NOTE:

1. MODEL VIEWS MAY NOT REPRESENT EXACT MODEL PURCHASED

DWN BY:	EMK	DWN DATE:	8/21/15
APR BY:		DATE APR:	
APR BY:		DATE APR:	

UNLESS OTHERWISE SPECIFIED
DIMENSION ARE IN INCHES
CABINET SQUARENESS ± .0625
FRACTIONAL VALUES ± 1/32"
- ALL VALUES ± OVERALL -



300 South Krueger Street
Suring, WI 54174
diversifiedwoodcrafts.com

TITLE:
SERVICE ISLAND
ASSEMBLY INSTRUCTIONS

REV.	DESCRIPTION	DATE	NAME	ECN NO.
A	CREATED ASSEMBLY INSTRUCTIONS	8/21/15	EMK	-
				REVISION LEVEL

THIS DRAWING IS THE SOLE PROPERTY OF
DIVERSIFIED WOOD CRAFTS. IT MAY NOT
BE ALTERED OR CHANGED WITHOUT
PERMISSION

DRAWING NUMBER:	3116K	SCALE:	NTS	SHEET:	1 OF 7	REVISION:	REV A
-----------------	-------	--------	-----	--------	--------	-----------	-------

TOOLS REQUIRED

CONTACT CEMENT

SCREW DRIVER

1/2" AND 3/16" WRENCHES

ASSEMBLY COMPONENTS

ITEMS INCLUDED	PART #	PART DESCRIPTION	QTY
RUBBER BASE MOLDING	100283	RUBBER BASE MOLDING (SOLD BY FOOT)	7.50
STAINLESS STEEL CORNERS	100057	CORNERS-STAINLESS STEEL, BASE	4
SCREWS - BASE	100064	SCREW, #6X1/2 PTH SMS SS SCREW	16
TOP	100507	TOP,EPOXY,1.00X24X26BLK,FIXT	1
SILICONE	100711	SILICONE,SEALANT,CLEAR	1
FIXTURE - FAUCETS	100074-BKR	FIXTURE,L65-WSA-DIV(MULIT-SERVICE)	2
FIXTURE - SINK	100692	SINK,EPOXY L5C,BLK	1
FIXTURE - SINK STOPPER	100112	SINK STOPPER 1 1/2, BLK	1
FIXTURE - SINK TRAP	100056	SINK TRAP, PLASTIC ADJUSTABLE	1
FIXTURE - STRAINER	100055	SINK,OUTLET/STRAINER EPOXY,BLK	1
ELECTRICAL BOX	100033	ELECTRICAL BOX 3.00X2X2.5 DEEP	2
ELECTRICAL OUTLET	100034	ELEC,OUTLET,GFI,20A 125V, BLK	2

NOTE:

1.

DWN BY:	EMK	DWN DATE:	8/21/15
APR BY:		DATE APR:	
APR BY:		DATE APR:	

UNLESS OTHERWISE SPECIFIED
DIMENSION ARE IN INCHES
CABINET SQUARENESS ± .0625
FRACTIONAL VALUES ± 1/32"
- ALL VALUES ± OVERALL -



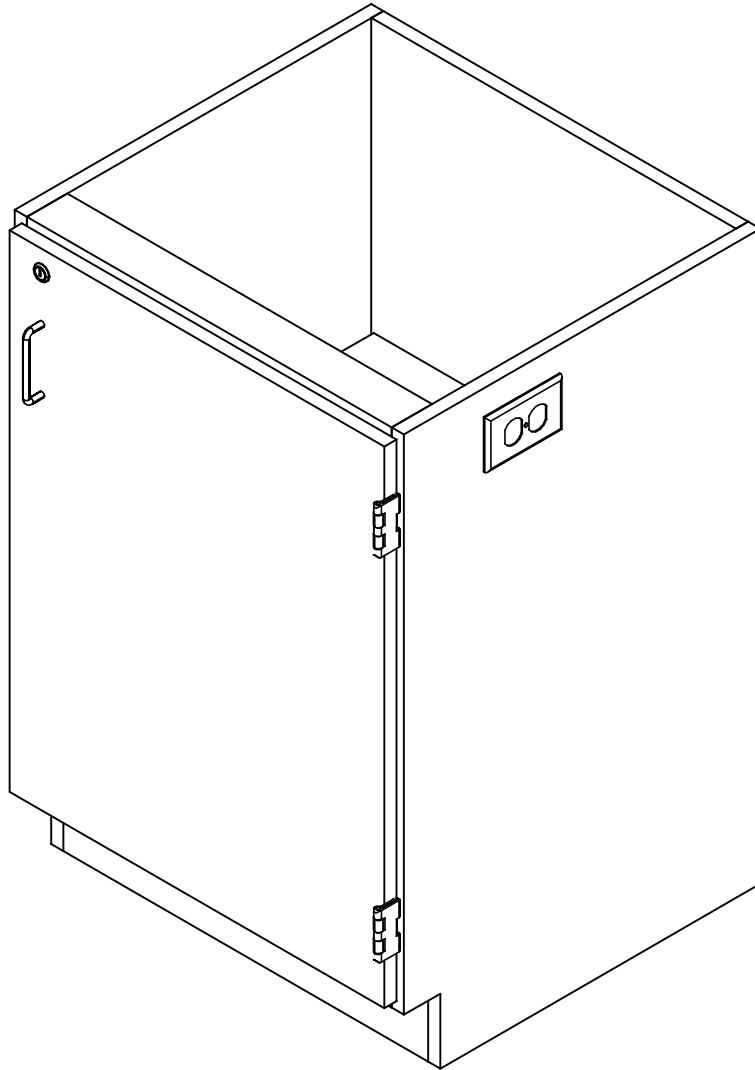
300 South Krueger Street
Suring, WI 54174
diversifiedwoodcrafts.com

TITLE:
SERVICE ISLAND
TOOLS AND ASSEMBLY COMPONENTS

A	DESCRIPTION	DATE	NAME	ECH NO.
	CREATED ASSEMBLY INSTRUCTIONS	8/21/15	EMK	-
REV.				

THIS DRAWING IS THE SOLE PROPERTY OF
DIVERSIFIED WOOD CRAFTS. IT MAY NOT
BE ALTERED OR CHANGED WITHOUT
PERMISSION

DRAWING NUMBER:	3116K	SCALE:	NTS	SHEET:	2 OF 7	REVISION:	REV A
-----------------	-------	--------	-----	--------	--------	-----------	-------



STEP 1:

- CENTER CABINET OVER UTILITY HOOK-UPS.
- LEVEL CABINETS
- ANCHOR TO WALL.

****NOTE****
 CABINET MUST BE LEVELED OR
 DOORS AND DRAWERS MAY NOT
 OPEN OR CLOSE CORRECTLY

NOTE:

- 1.

DWN BY:	EMK	DWN DATE:	8/21/15
APR BY:		DATE APR:	
APR BY:		DATE APR:	

UNLESS OTHERWISE SPECIFIED
 DIMENSION ARE IN INCHES
 CABINET SQUARENESS ± .0625
 FRACTIONAL VALUES ± 1/32"
 - ALL VALUES ± OVERALL -



300 South Krueger Street
 Suring, WI 54174
 diversifiedwoodcrafts.com

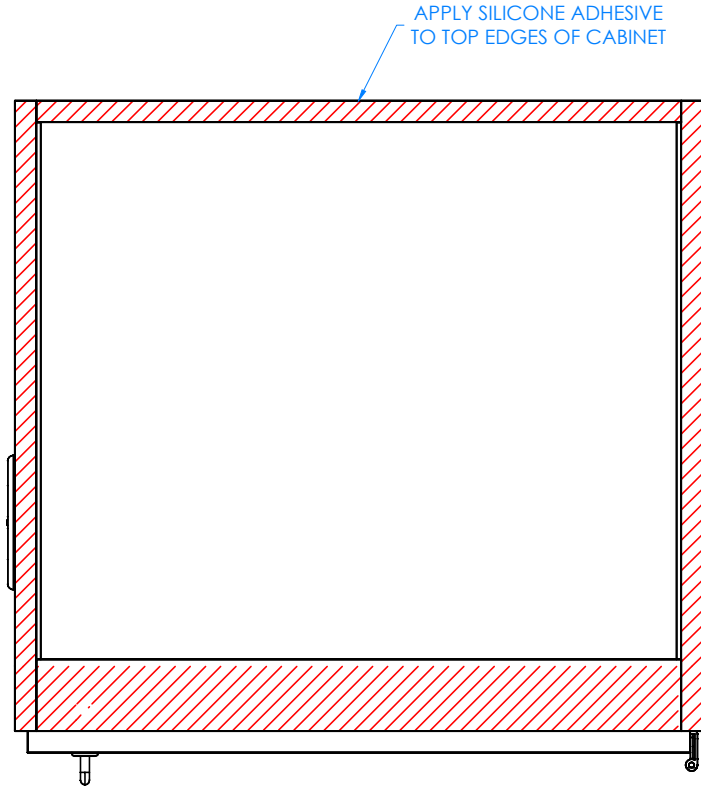
TITLE:
 SERVICE ISLAND
 ASSEMBLY INSTRUCTIONS

A	DESCRIPTION	DATE	NAME	ECN NO.
REVISION LEVEL				

THIS DRAWING IS THE SOLE PROPERTY OF
 DIVERSIFIED WOOD CRAFTS. IT MAY NOT
 BE ALTERED OR CHANGED WITHOUT
 PERMISSION

DRAWING NUMBER:
3116K

SCALE:	SHEET:	REVISION:
NTS	3 OF 7	REV A



TOP VIEW OF SERVICE ISLAND SHOWN

STEP 2:

- APPLY SILICONE ADHESIVE TO TOP EDGES OF CABINET.
- PLACE TOP ON CABINET WITH PROPER OVERHANG (1" OVERHANG ON FRONT, BACK, AND SIDES). TOP IS CENTERED AT THAT DIMENSION.
- LET CURE FOR 6-12 HOURS.

NOTE:

1.

DWN BY:	EMK	DWN DATE:	8/21/15
APR BY:		DATE APR:	
APR BY:		DATE APR:	

UNLESS OTHERWISE SPECIFIED
DIMENSION ARE IN INCHES
CABINET SQUARENESS ± .0625
FRACTIONAL VALUES ± 1/32"
- ALL VALUES ± OVERALL -



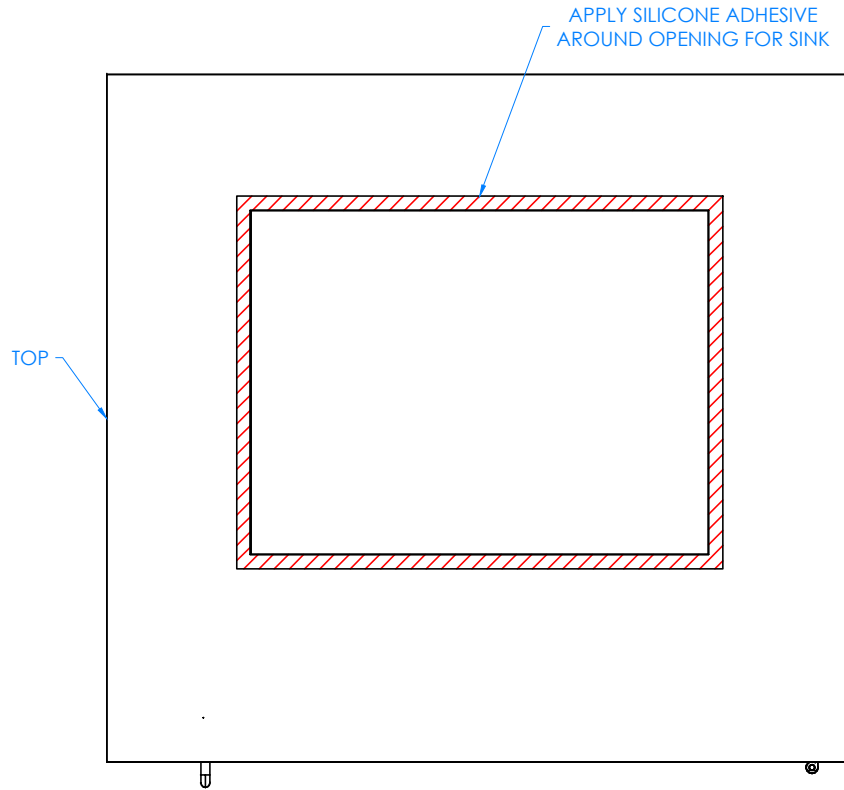
300 South Krueger Street
Suring, WI 54174
diversifiedwoodcrafts.com

TITLE:
SERVICE ISLAND
ASSEMBLY INSTRUCTIONS

REV.	DESCRIPTION	DATE	NAME	ECN NO.
A	CREATED ASSEMBLY INSTRUCTIONS	8/21/15	EMK	-
REVISION LEVEL				

THIS DRAWING IS THE SOLE PROPERTY OF
DIVERSIFIED WOOD CRAFTS. IT MAY NOT
BE ALTERED OR CHANGED WITHOUT
PERMISSION

DRAWING NUMBER:	3116K	SCALE:	NTS	SHEET:	4 OF 7	REVISION:	REV A
-----------------	-------	--------	-----	--------	--------	-----------	-------



TOP VIEW OF SERVICE ISLAND SHOWN

STEP 3:

- APPLY ADHESIVE TO SINK OPENING ON TOP.
- LOWER SINK INTO OPENING.
- WIPE OFF ANY EXCESS CAULK AND ALLOW TO SET.
- LET CURE FOR 6-12 HOURS.

NOTE:

1.

DWN BY:	EMK	DWN DATE:	8/21/15
APR BY:		DATE APR:	
APR BY:		DATE APR:	

UNLESS OTHERWISE SPECIFIED
DIMENSION ARE IN INCHES
CABINET SQUARENESS ± .0625
FRACTIONAL VALUES ± 1/32"
- ALL VALUES ± OVERALL -



300 South Krueger Street
Suring, WI 54174
diversifiedwoodcrafts.com

TITLE:
SERVICE ISLAND
ASSEMBLY INSTRUCTIONS

REV.	DESCRIPTION	DATE	NAME	ECN NO.
A	CREATED ASSEMBLY INSTRUCTIONS	8/21/15	EMK	-

REVISION LEVEL

THIS DRAWING IS THE SOLE PROPERTY OF
DIVERSIFIED WOOD CRAFTS. IT MAY NOT
BE ALTERED OR CHANGED WITHOUT
PERMISSION

DRAWING NUMBER:

3116K

SCALE:

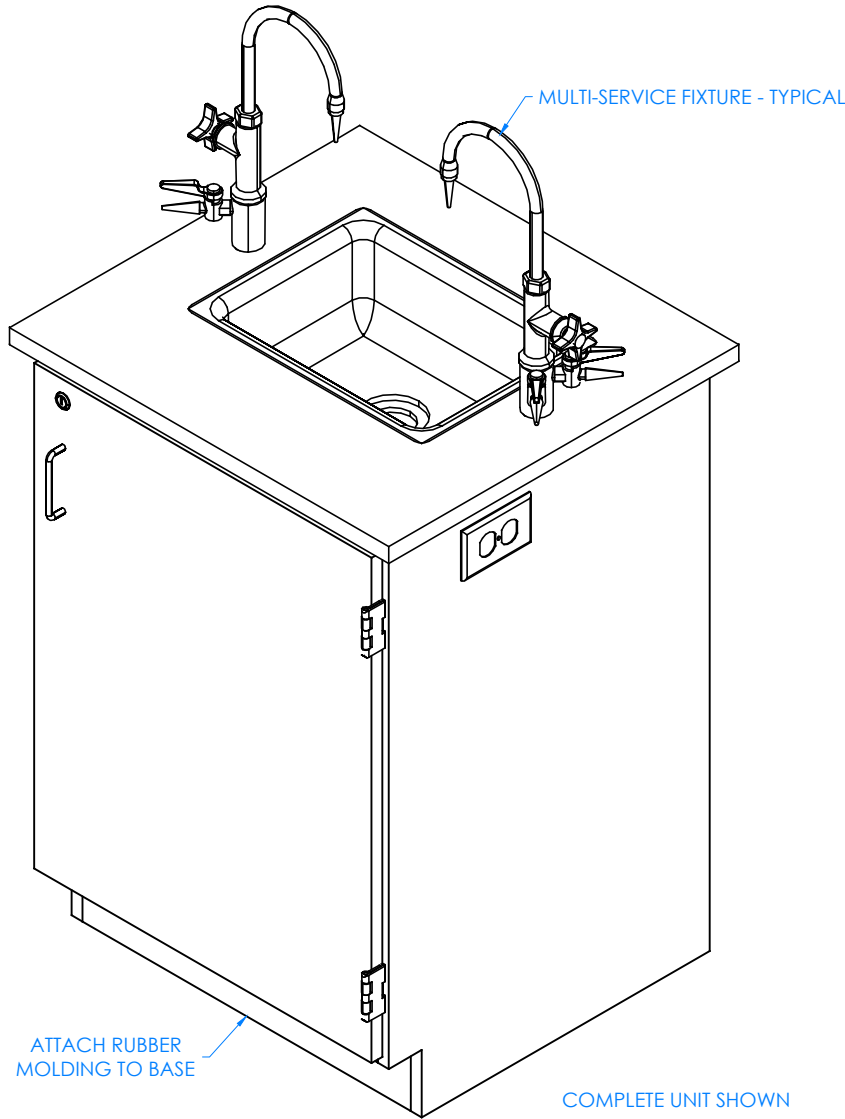
NTS

SHEET:

5 OF 7

REVISION:

REV A



STEP 4:

- INSTALL MULTI-SERVICE FIXTURES IN THE HOLE PROVIDED IN TOP.
- ATTACH RUBBER BASE MOLDING TO BASE OF CABINET USING CONTACT CEMENT.
- SCREW STAINLESS STEEL CORNER BRACKETS ON EACH CORNER OVER BASE MOLDING WITH HARDWARE PROVIDED.

NOTE:

1.

ATTACH RUBBER MOLDING TO BASE

COMPLETE UNIT SHOWN

DWN BY:	EMK	DWN DATE:	8/21/15
APR BY:		DATE APR:	
APR BY:		DATE APR:	



300 South Krueger Street
Suring, WI 54174
diversifiedwoodcrafts.com

UNLESS OTHERWISE SPECIFIED
DIMENSION ARE IN INCHES
CABINET SQUARENESS ± .0625
FRACTIONAL VALUES ± 1/32"
- ALL VALUES ± OVERALL -

TITLE:
SERVICE ISLAND
ASSEMBLY INSTRUCTIONS

REV.	DESCRIPTION	DATE	NAME	ECN NO.
A	CREATED ASSEMBLY INSTRUCTIONS	8/21/15	EMK	-
REVISION LEVEL				

THIS DRAWING IS THE SOLE PROPERTY OF
DIVERSIFIED WOOD CRAFTS. IT MAY NOT
BE ALTERED OR CHANGED WITHOUT
PERMISSION

DRAWING NUMBER:	SCALE:	SHEET:	REVISION:
3116K	NTS	6 OF 7	REV A

TROUBLESHOOTING YOUR GFCI ELECTRICAL RECEPTACLE:

PLEASE NOTE: THROUGHOUT ANY OF THE FOLLOWING STEPS (PROCEDURES); IF YOU ARE NOT SURE YOU CAN DO THIS JOB SAFELY, AND COMPETENTLY, REFER THIS WORK TO QUALIFIED PROFESSIONAL!

If your unit comes equipped with a GFCI (Ground Fault Circuit Interrupter) electrical receptacle, and there is no power in the receptacle please consider/check the following:

- The extension cord (if being used) is working properly.
- The breaker hasn't been tripped, or turned off.

This type of GFCI has two testing-related buttons on it. One button is appropriately labeled "TEST", and the other button is labeled "RESET". To test the GFCI receptacle follow these steps:

- Plug in an appliance (lamp or night light) into the outlet. The light should now be on. Then press the "TEST" button on the GFCI. The GFCI "RESET" button should pop out, and the light should go out.
- If the "RESET" button pops out, but the light doesn't go out, the GFCI has been improperly wired. In this case please contact a certified professional. There may also be a problem with other wiring in the same circuit.
- If the "RESET" button doesn't pop out, the GFCI is defective, or malfunctioned, and should be replaced.
- If the GFCI is functioning properly, and the lamp goes out, press the "RESET" button to restore power to the outlet.

Conversely, if you have a GFI that has tripped (which is common) and it will not reset, you may have a wiring short in the circuit, a defective appliance on the circuit, or the GFI itself has become defective. To test a tripping GFCI follow these steps:

- Remove every appliance connected to the GFCI's circuit and reset it. If it doesn't reset there may either be a wiring fault behind a socket outlet, or your GFCI itself has become faulty.
- Make sure whatever you are plugging into to the GFCI is dry and not damaged.
- Only plug in one item at a time. If you are plugging in a defective item it will cause the GFCI to trip, and that item therefore should be replaced.

If you are still having difficulty the easiest way to troubleshoot a GFI is to obtain a GFI tester, which is available at most hardware stores. It plugs into the GFI outlet, and will supply you with a "snapshot" of your connections, indicating wiring problems and/or the condition of the GFI. Another way to troubleshoot is to simply purchase a new GFI and install it.