

INSTRUCTION MANUAL

JOYSIDE Patio Pergola F09

IF YOU PURCHASED THE PERGOLA ONLINE AND HAVE
ANY QUESTIONS OR CONCERNS
PLEASE FEEL FREE TO CONTACT US

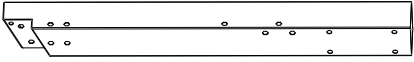
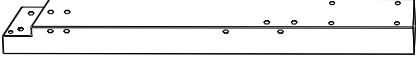
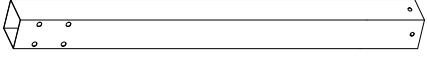
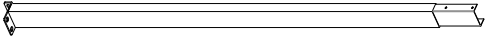
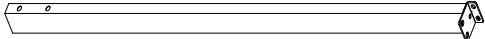
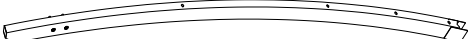

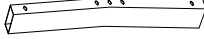
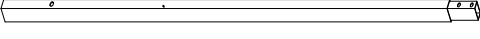
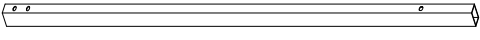









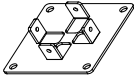


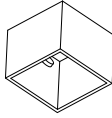
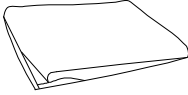

Email: service2outdoor@gmail.com
Text: +1628-263-4608

Warranty period: 180 days.

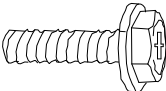
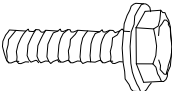
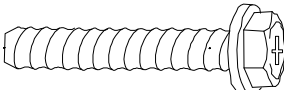
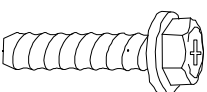
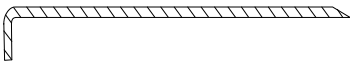
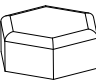
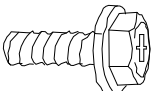


Lost accessories or parts costs will be incurred after 90 days of the date of purchase.

Part List

Description	Label	Qty	Part Image
Upper post 1	A1	2	
Upper post 2	A2	2	
Lower Post	A3	4	
Beam long side	B1	2	
Beam Short side	B2	2	
Long arc beam	C1	2	
Short arc beam	C2	2	
Arc beam connector	C3	2	
Top beam long side	D1	5	
Top beam short edge	D2	5	
Straight edge diagonal support	E	4	
Arc edge oblique support	F	4	
Decorative head	G	4	
Long tube wear cloth	M1	2	
Short tube wear cloth	M2	2	
Mosquito net bar	N	4	

Base Cover	O	4	
Post Base	P	4	
Post connecting piece	R	8	
Beam card set	S	2	
decoration on post	T	4	
Canopy	W	1	
abat vent	V	2	

Hardware Pack

Lable	Description	Qty	Add	Partlimage
AA	Hexagon cross bolt M6*15	66	4	
BB	Bolt M6*15	64	4	
CC	Hexagon cross bolt M6*45	50	4	
DD	Hexagon cross bolt M6*25	4	1	
FF	Stake D6*230	8		
HH	The plastic cap	64	6	
JJ	Hexagon cross bolt M6*10	4	1	
Z1	Wrench M6	2		
TT	Plastic Ring	24	2	

<1>

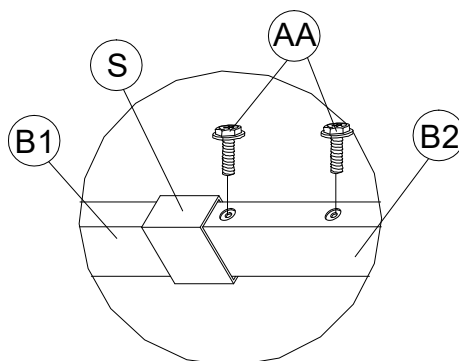
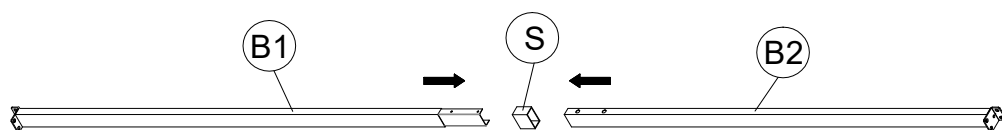
(B1) 2x



(B2) 2x

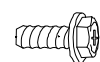


(S) 2x



1

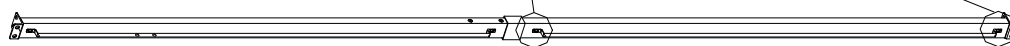
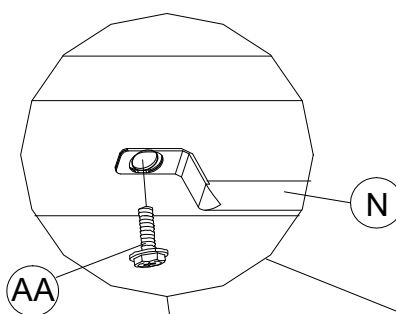
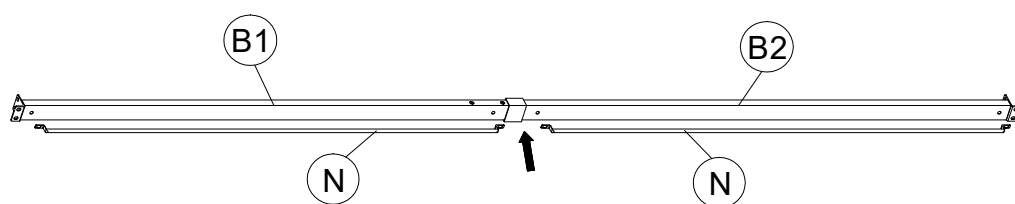
(AA) 4x



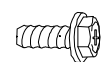
M6x15

<2>

N 4x



2



M6x15

AA 8x

<3>



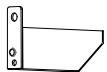
A1 2x



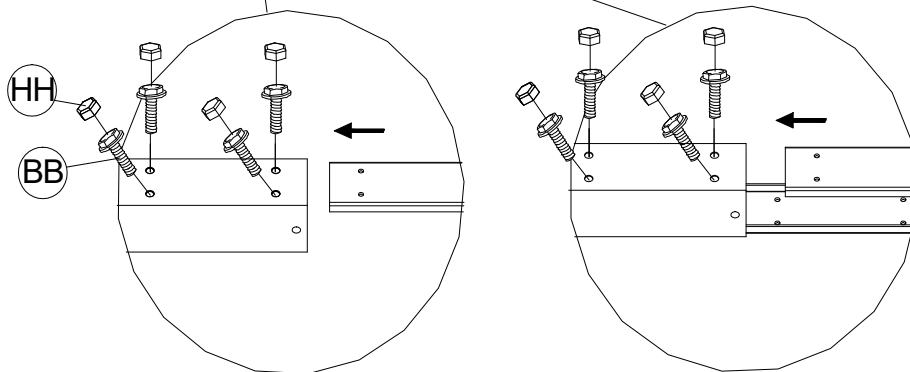
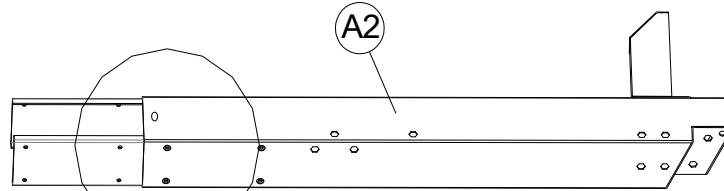
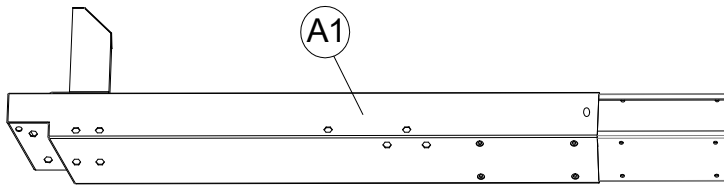
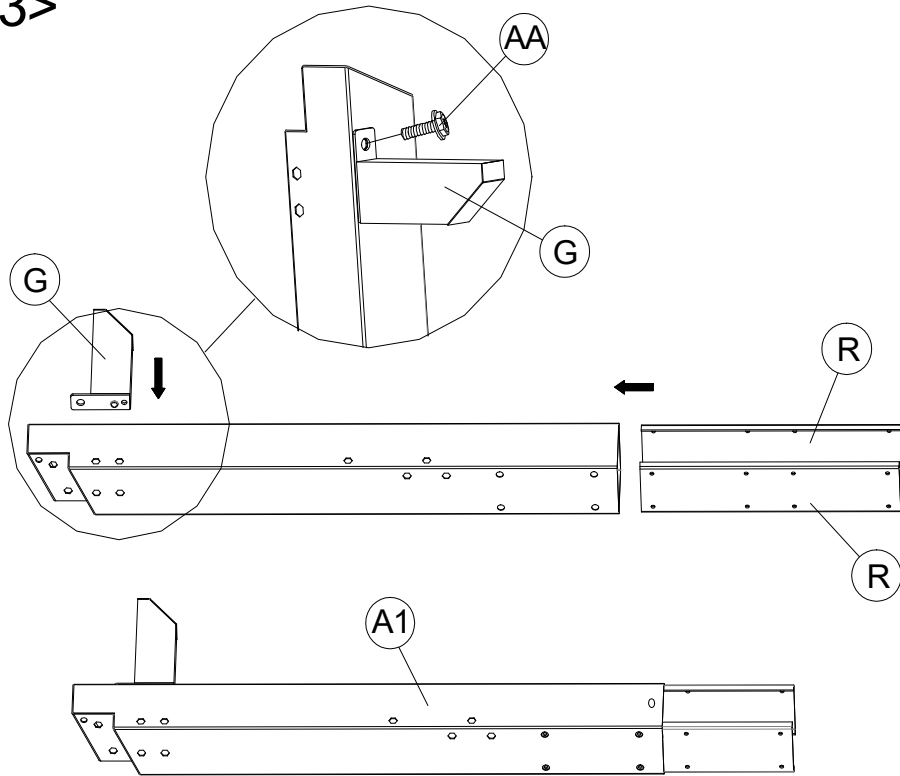
A2 2x



R 8x



G 4x



3



M6

HH 32x



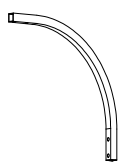
M6x15

BB 32x



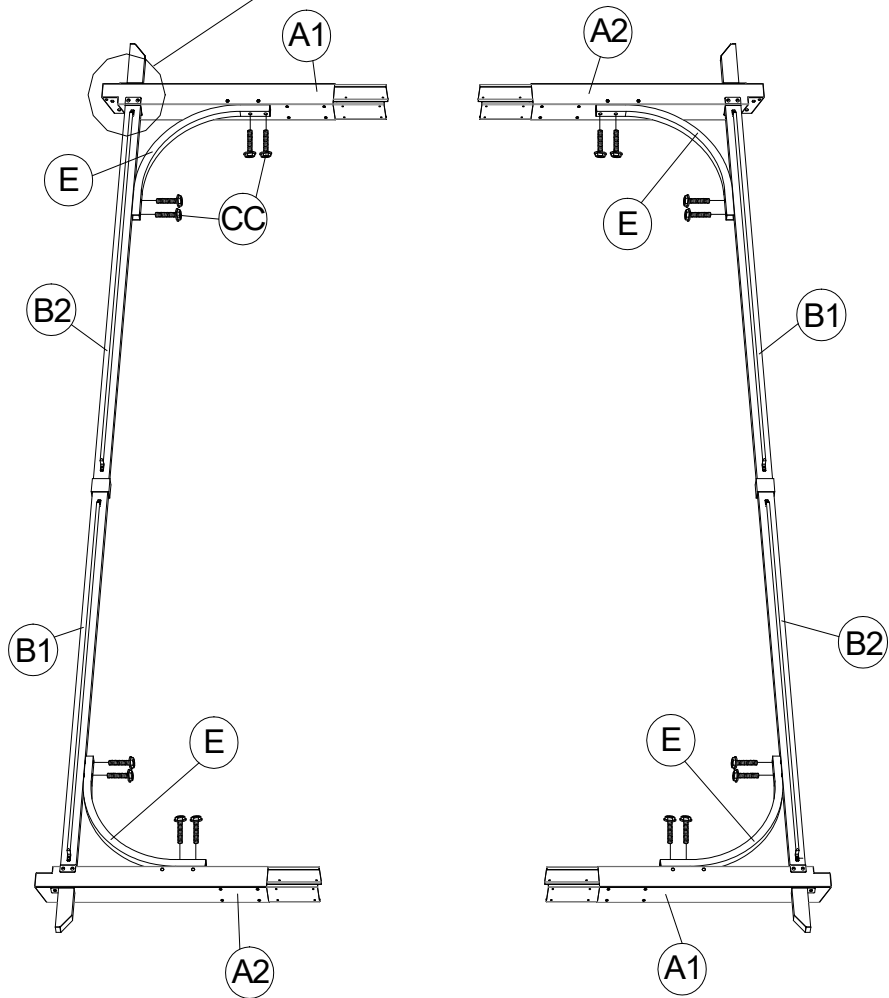
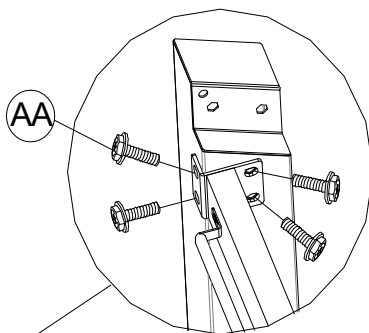
M6x15

AA 4x

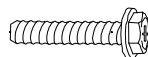


E 4x

<4>



4



M6x45

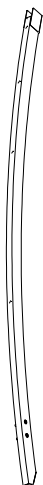
CC 16x



M6x15

AA 16x

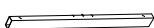
<5>



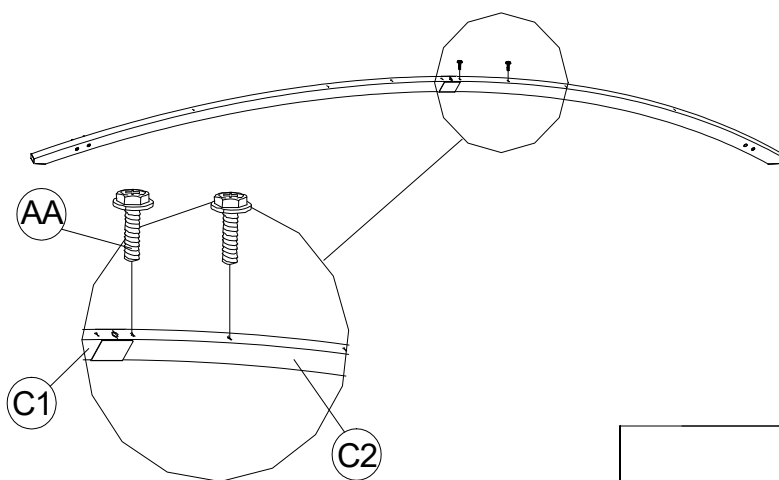
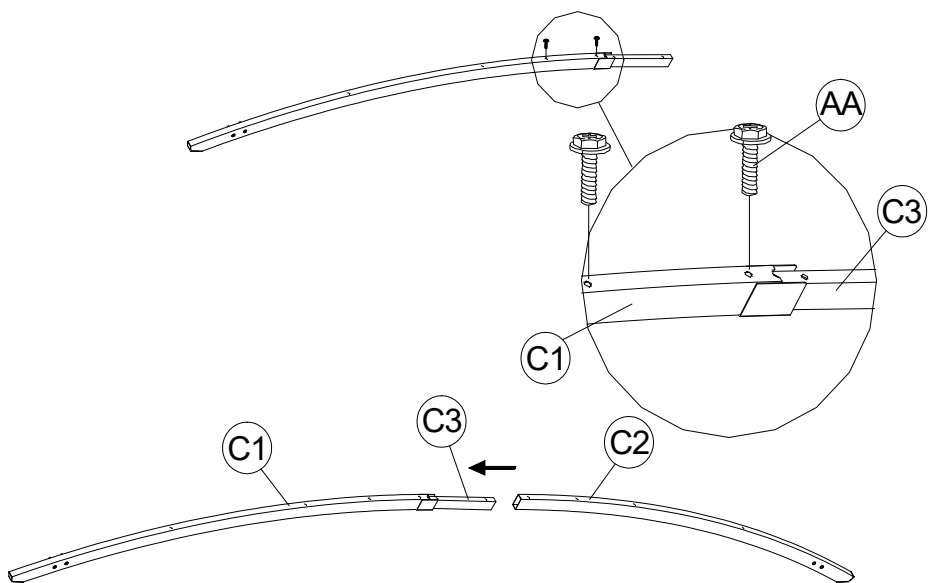
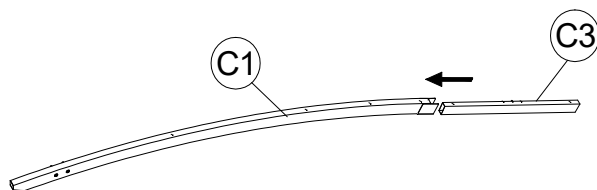
C1 2x



C2 2x



C3 2x



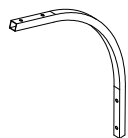
5



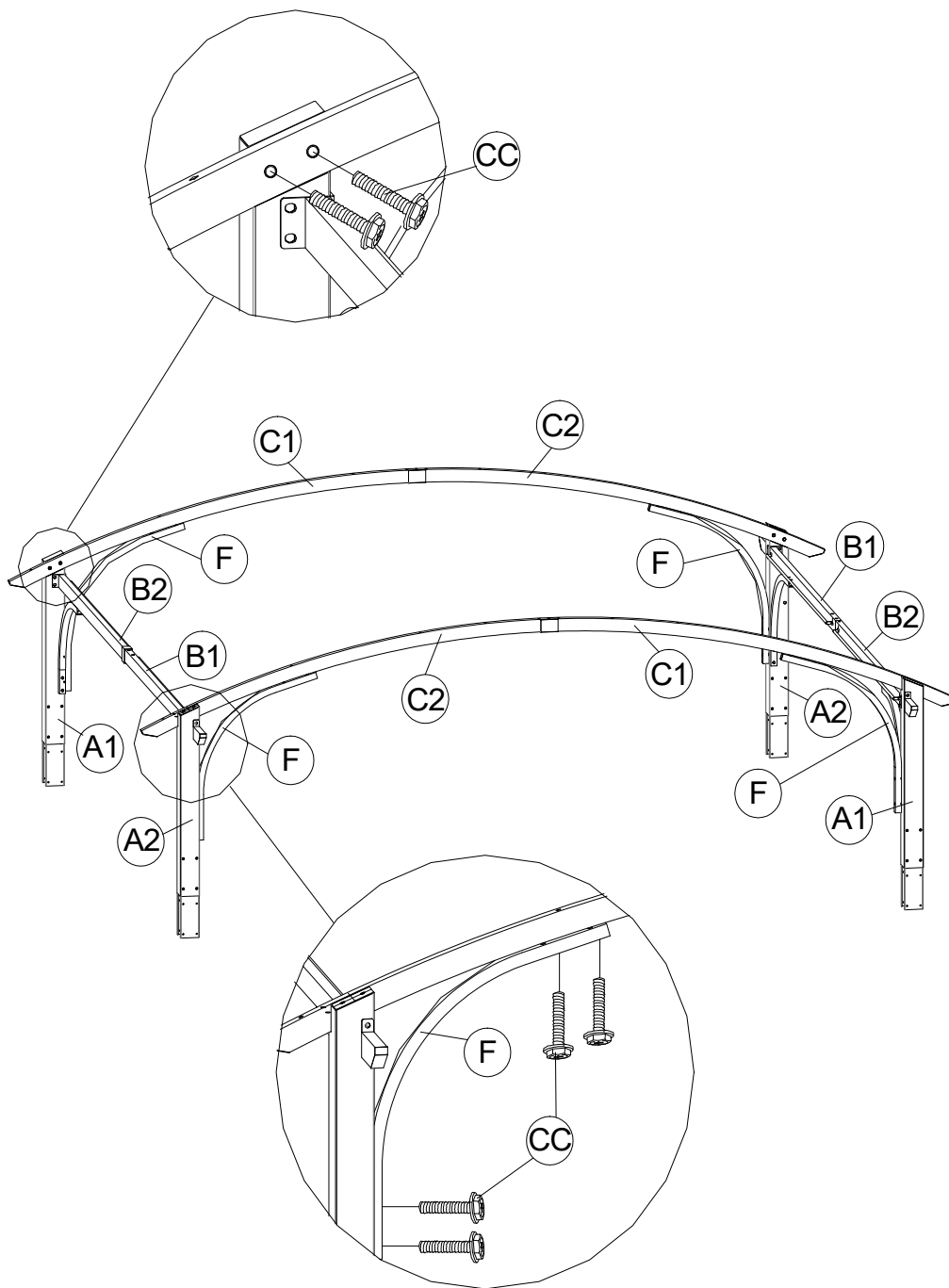
M6x15

AA 8x

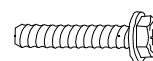
<6>



F 4x



6



M6x45

CC 24x

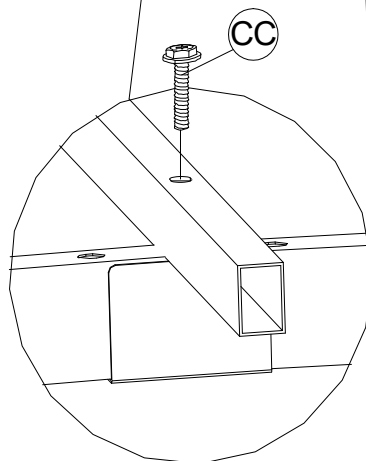
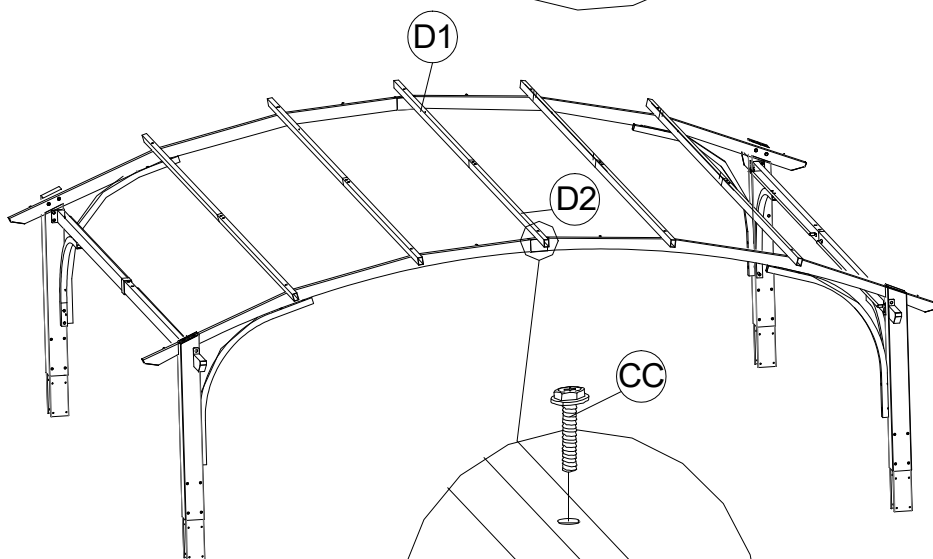
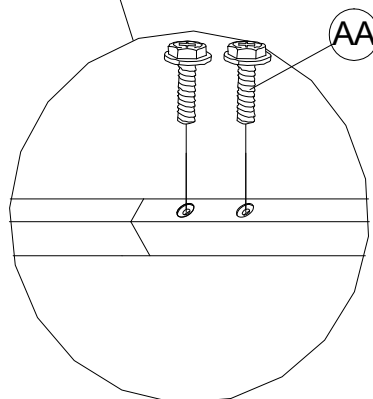
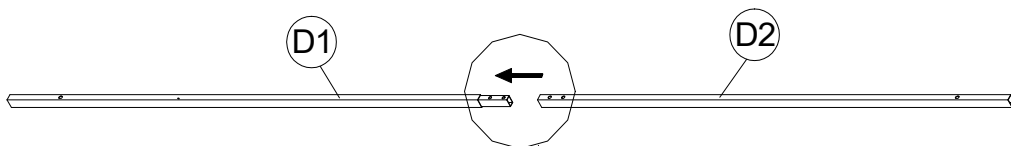
<7>



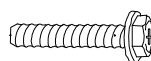
D1 5x



D2 5x



7



M6x45

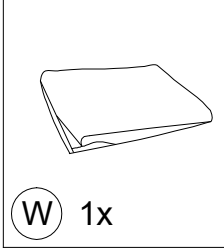
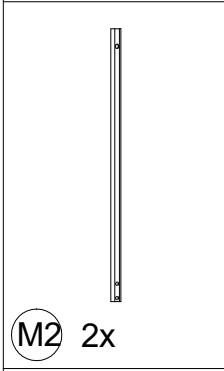
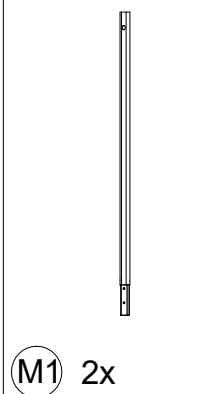
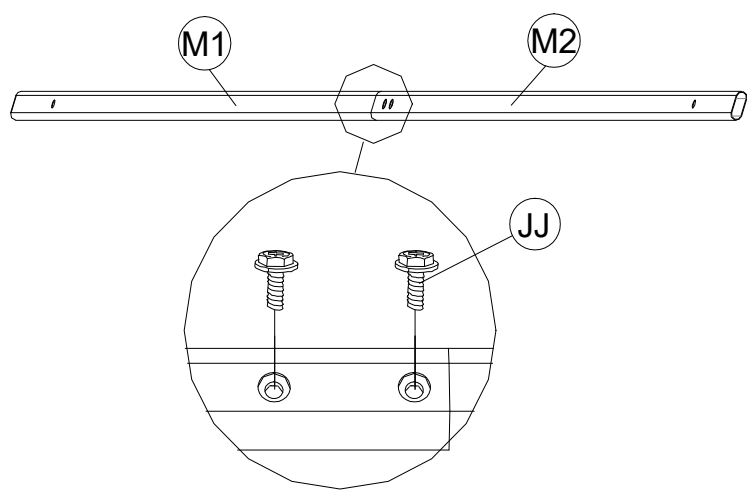
CC 10x



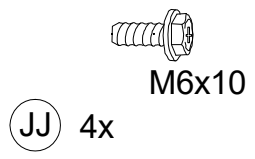
M6x15

AA 10x

<8>

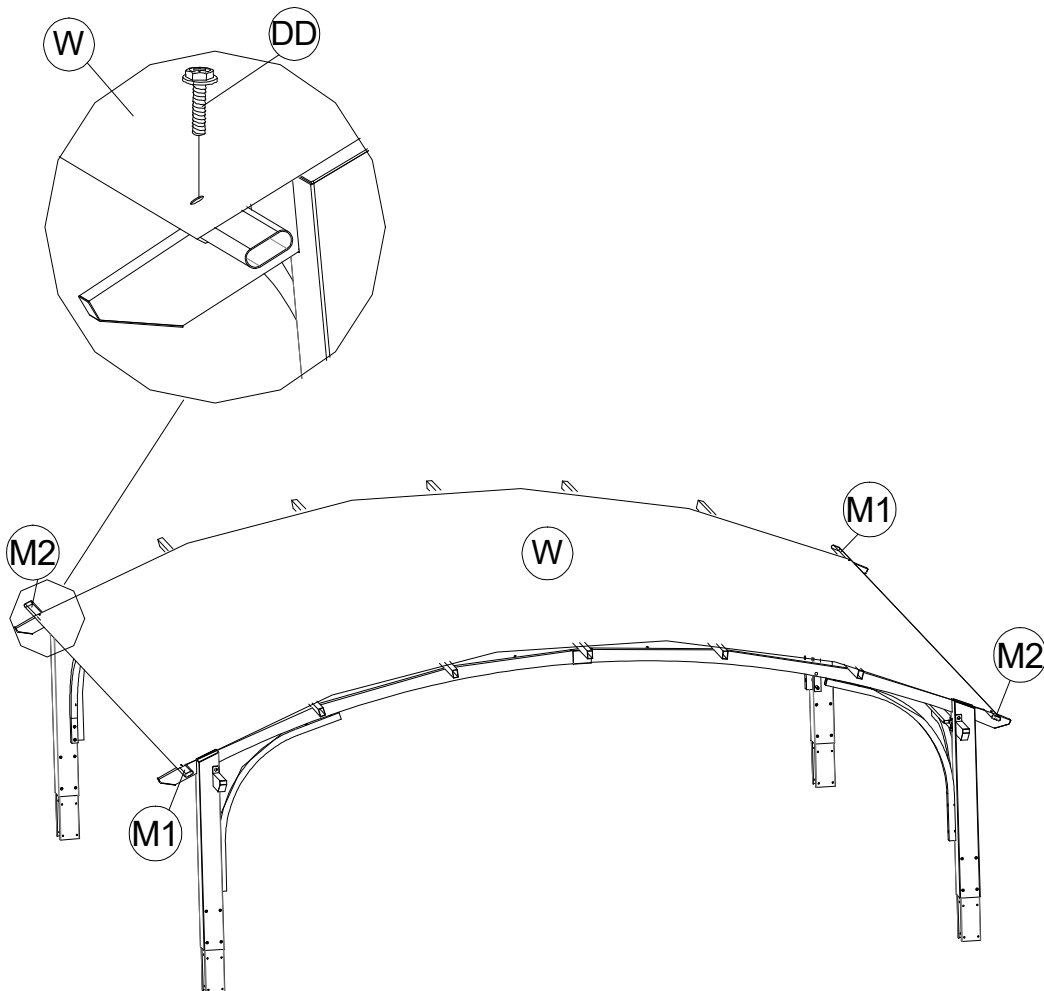


After the tubes are assembled, they are run in from both ends of the cloth.

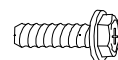


8

<9>



Unroll the cloth, flatten it and tighten
the screws at both ends.



M6x25

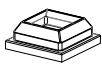
DD 4x

9

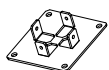
<10>



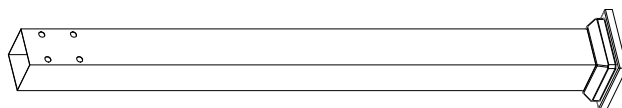
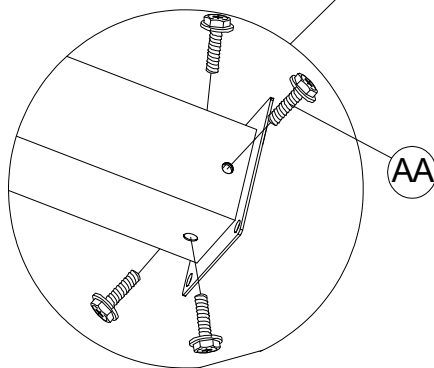
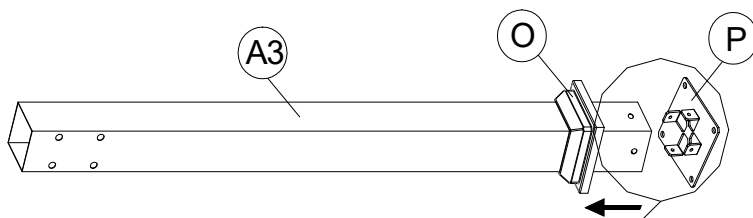
A3 4x



O 4x



P 4x



10



M6x15

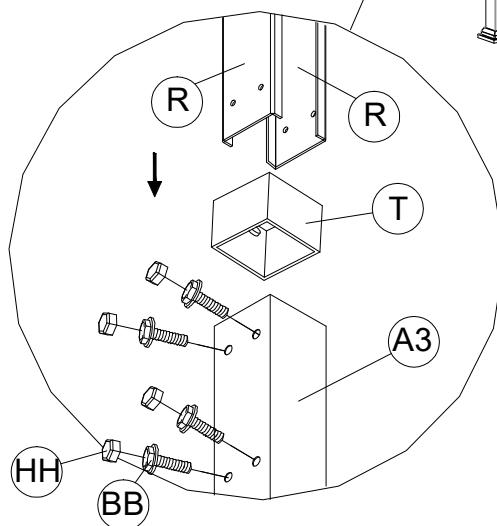
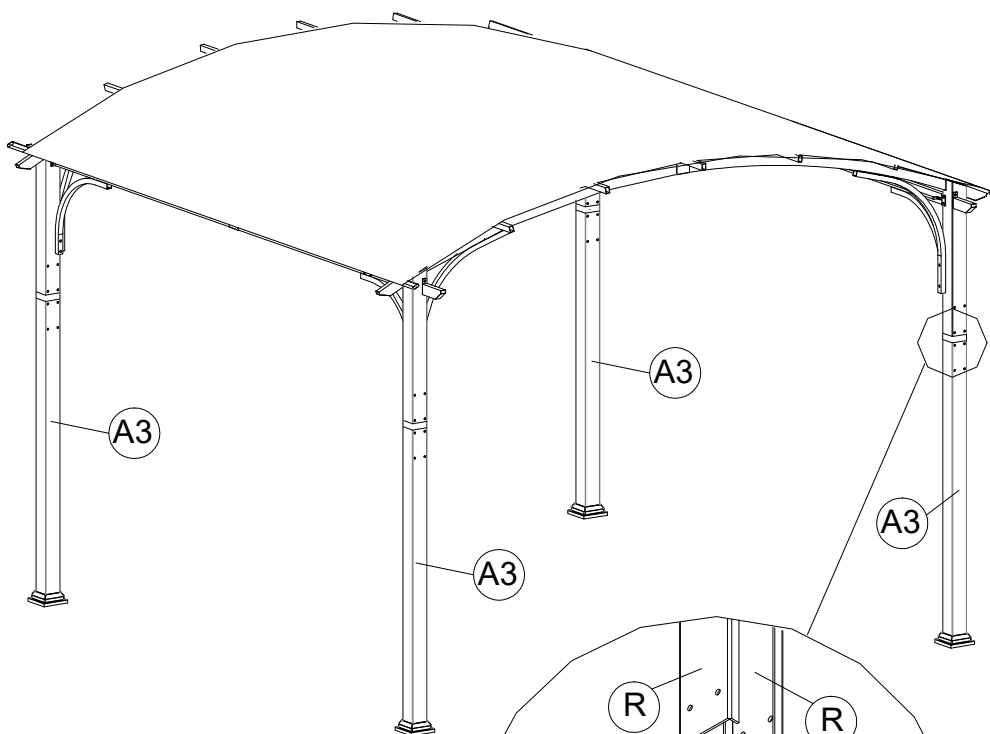
AA 16x

<11>

Column assembly requires 3-4
people to help keep it smooth.



T 4x



11



M6

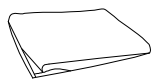
HH 32x



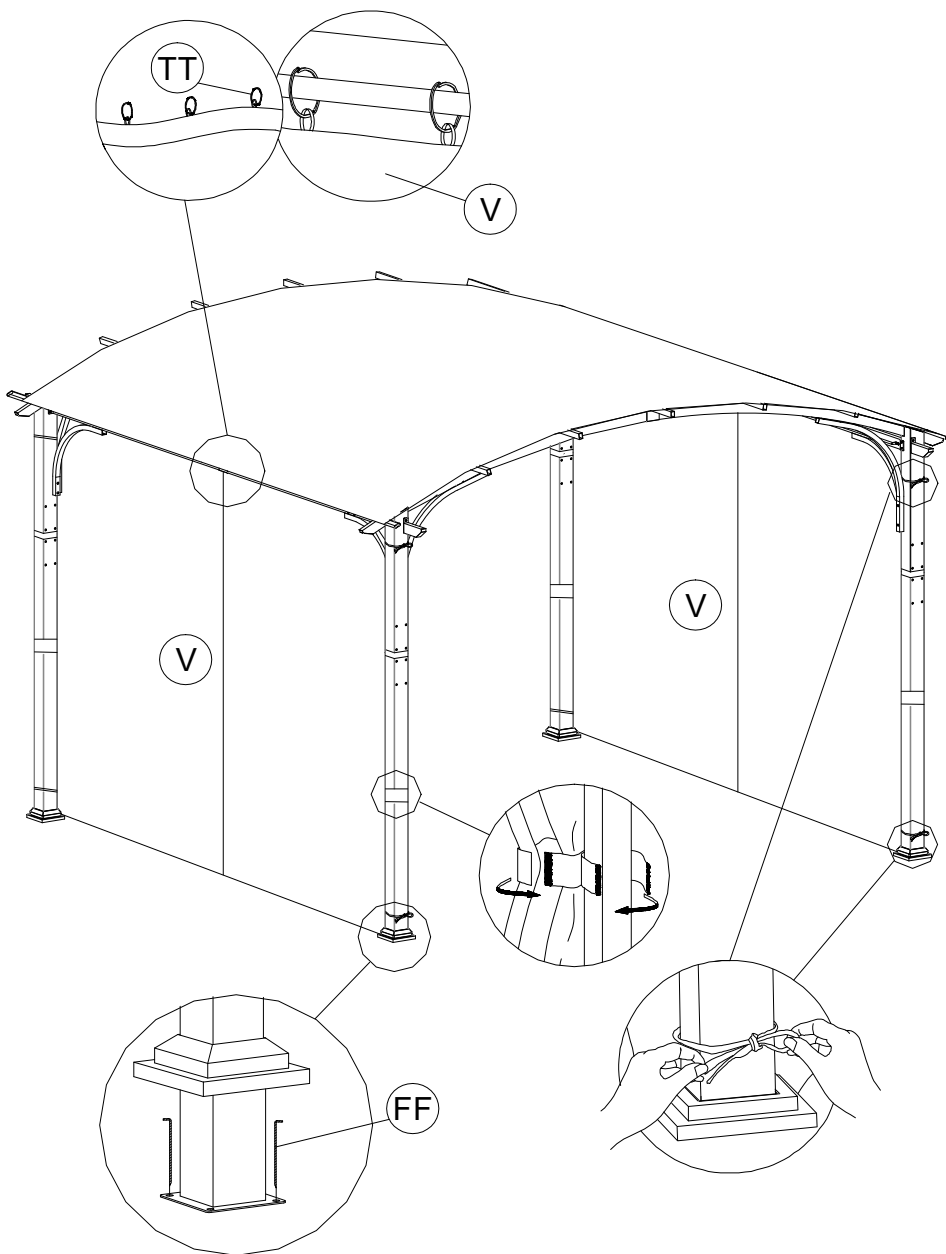
M6x15

BB 32x

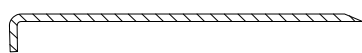
<12>



V 2x



12



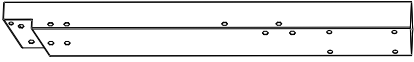
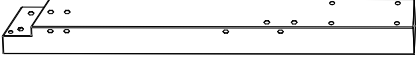
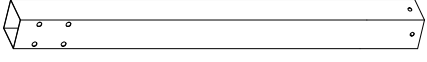
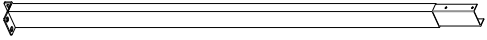
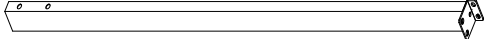


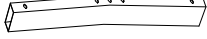
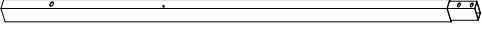
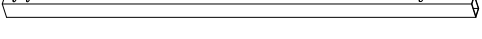






FF 8x


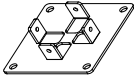


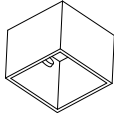
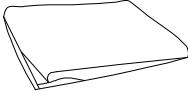

D6x230



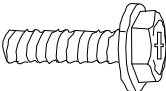
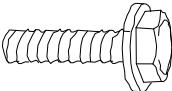
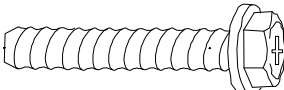
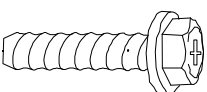
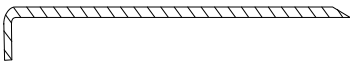
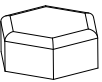
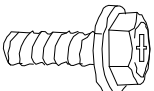


TT 24x

Part List

Description	Label	Qty	Part Image
Upper post 1	A1	2	
Upper post 2	A2	2	
Lower Post	A3	4	
Beam long side	B1	2	
Beam Short side	B2	2	
Long arc beam	C1	2	
Short arc beam	C2	2	
Arc beam connector	C3	2	
Top beam long side	D1	5	
Top beam short edge	D2	5	
Straight edge diagonal support	E	4	
Arc edge oblique support	F	4	
Decorative head	G	4	
Long tube wear cloth	M1	2	
Short tube wear cloth	M2	2	
Mosquito net bar	N	4	

Base Cover	O	4	
Post Base	P	4	
Post connecting piece	R	8	
Beam card set	S	2	
decoration on post	T	4	
Canopy	W	1	
abat vent	V	2	

Hardware Pack

Lable	Description	Qty	Add	Partlimage
AA	Hexagon cross bolt M6*15	66	4	
BB	Bolt M6*15	64	4	
CC	Hexagon cross bolt M6*45	50	4	
DD	Hexagon cross bolt M6*25	4	1	
FF	Stake D6*230	8		
HH	The plastic cap	64	6	
JJ	Hexagon cross bolt M6*10	4	1	
Z1	Wrench M6	2		
TT	Plastic Ring	24	2	

<1>

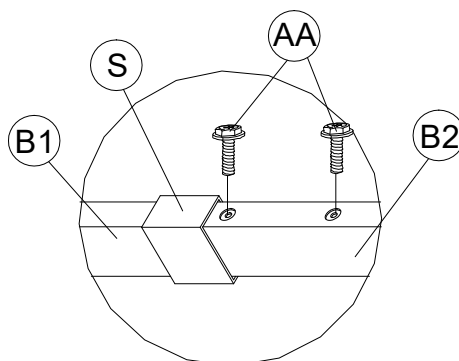
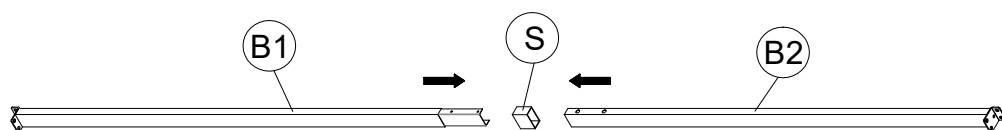
(B1) 2x



(B2) 2x

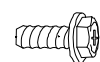


(S) 2x




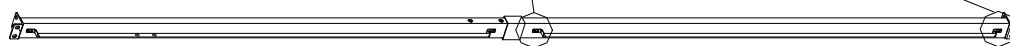
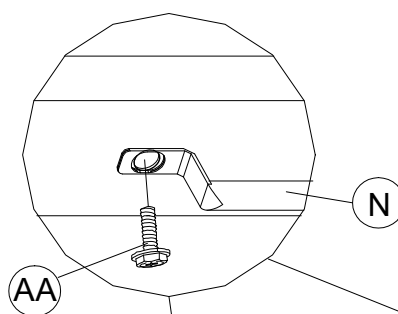
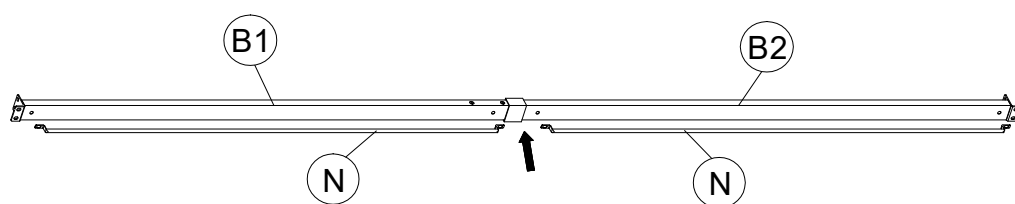
1

(AA) 4x

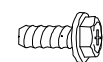


M6x15

<2>

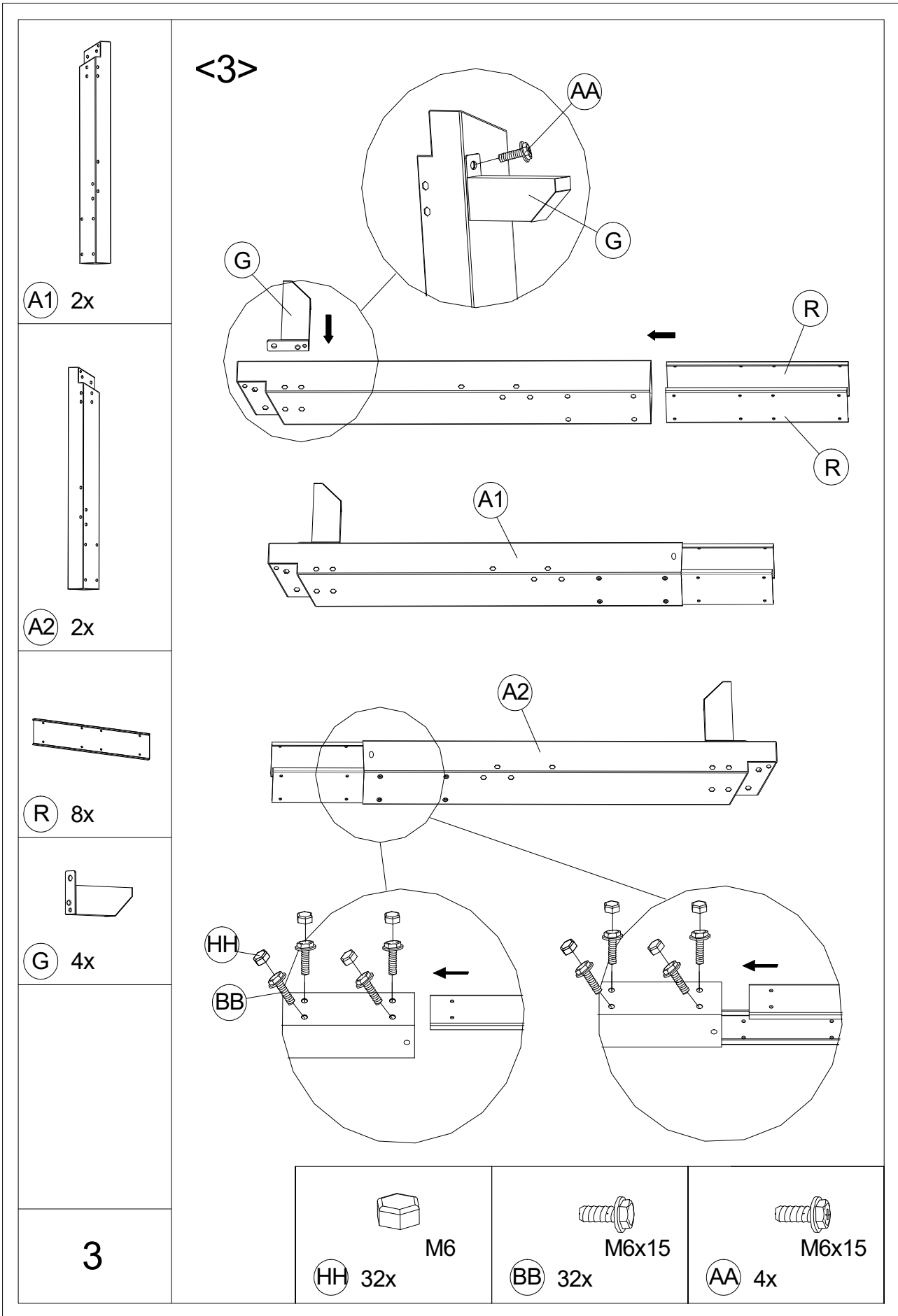

(N) 4x

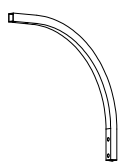
2



M6x15

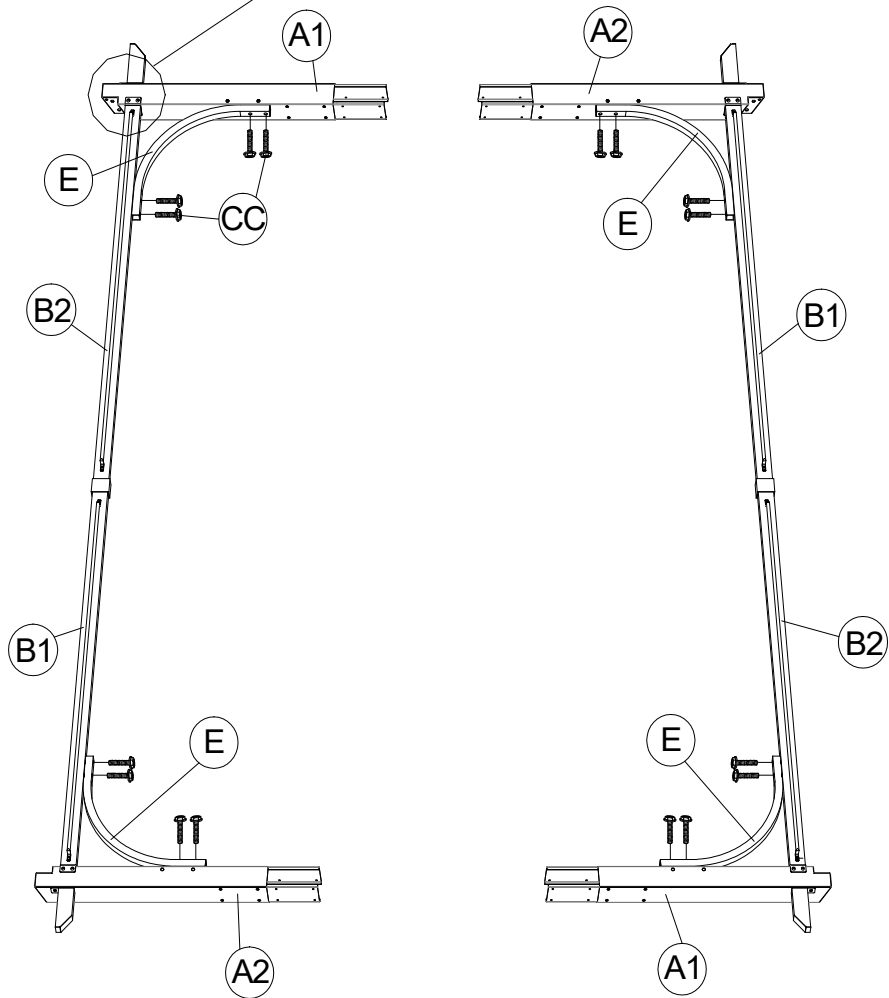
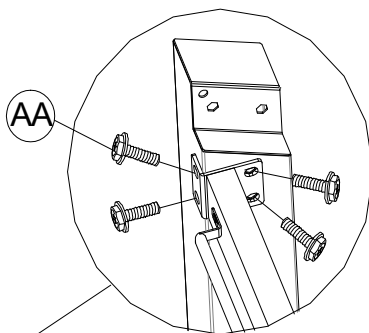
(AA) 8x



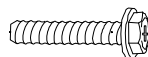


E 4x

<4>



4



M6x45

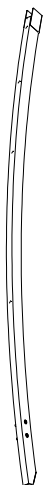
CC 16x



M6x15

AA 16x

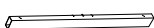
<5>



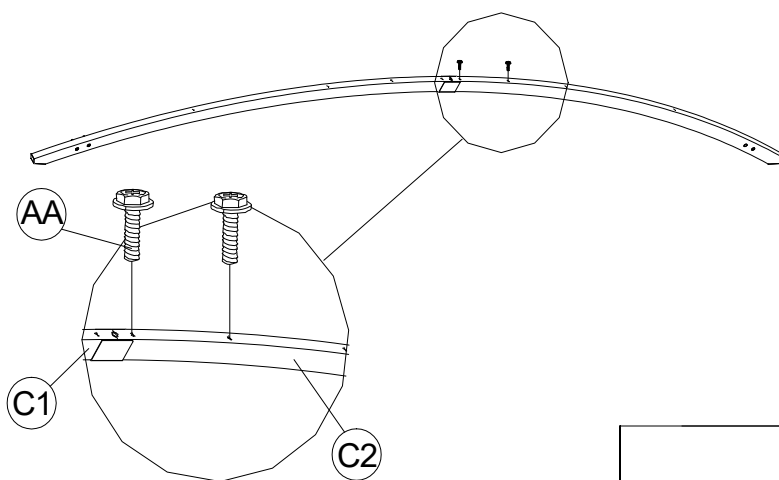
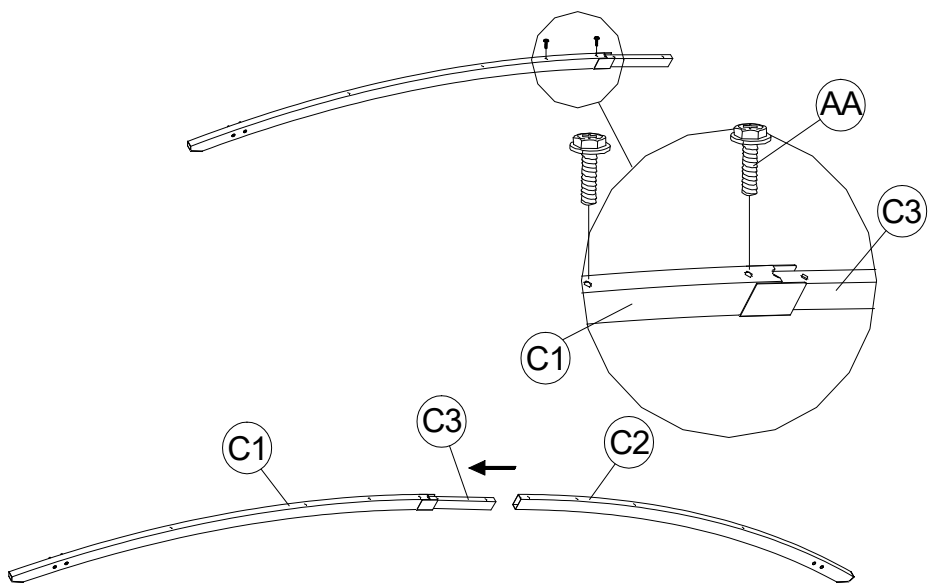
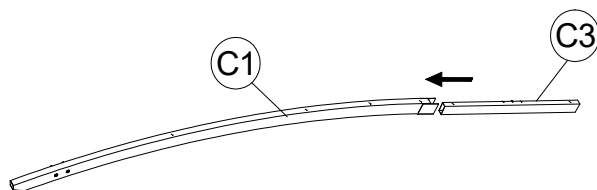
C1 2x



C2 2x



C3 2x



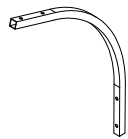
5



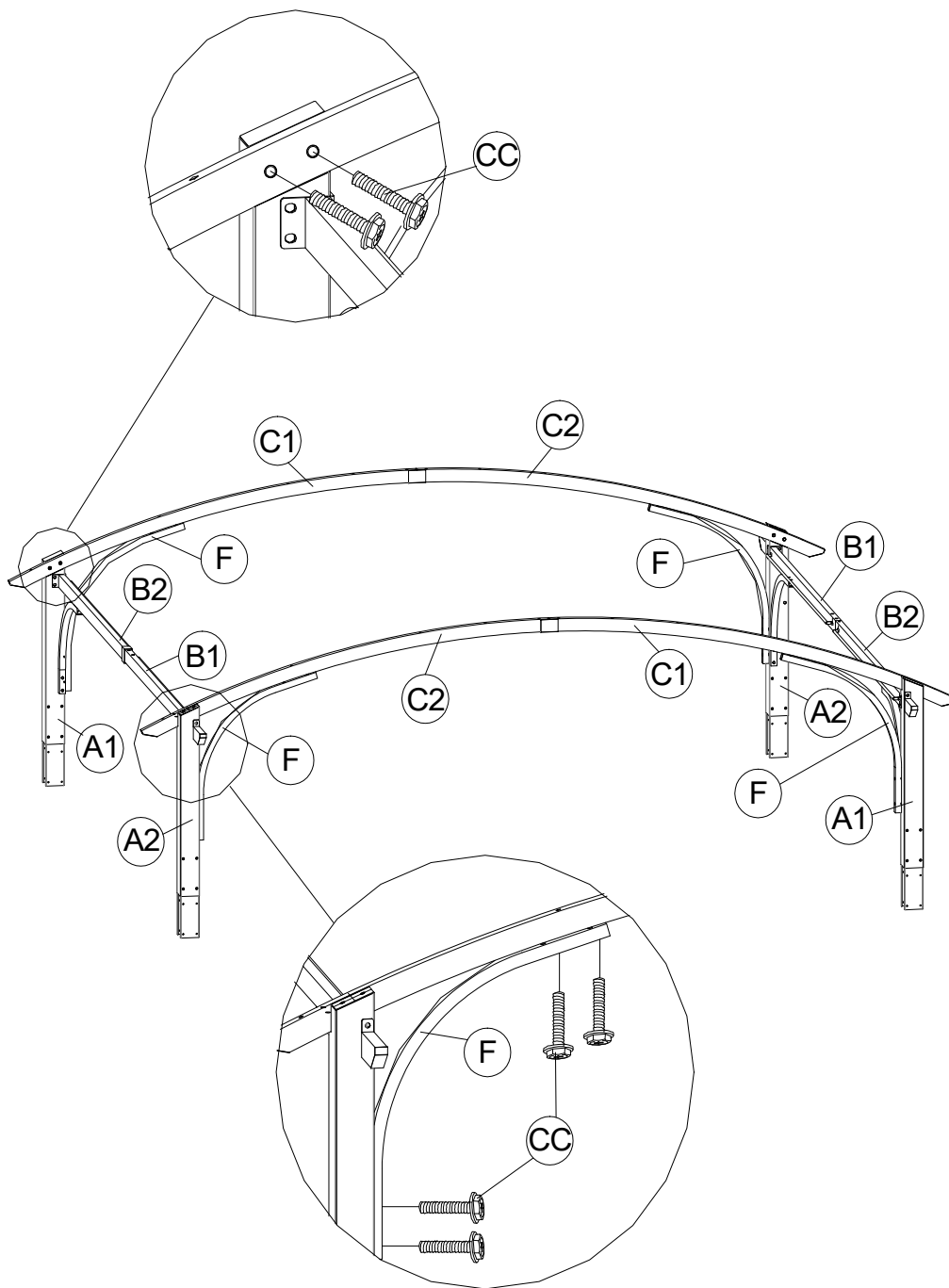
M6x15

AA 8x

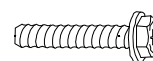
<6>



F 4x



6



M6x45

CC 24x

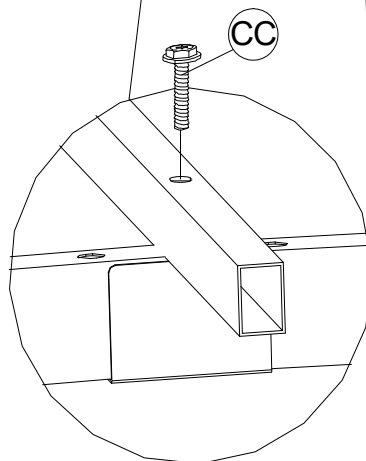
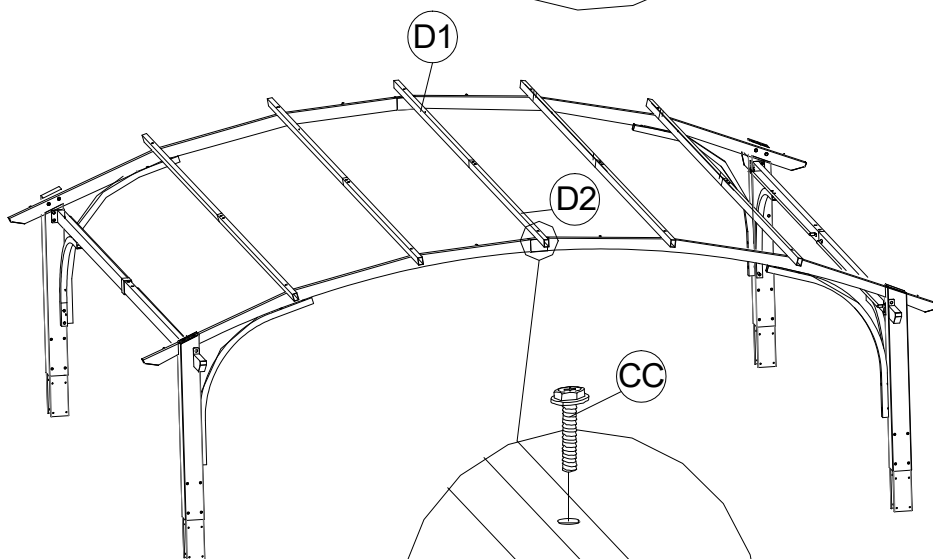
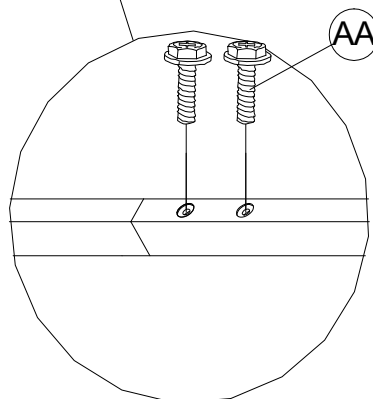
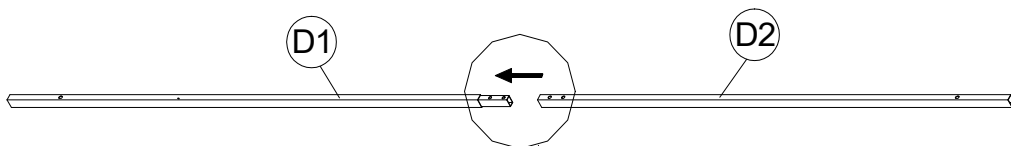
<7>



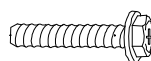
D1 5x



D2 5x



7



M6x45

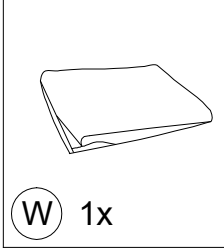
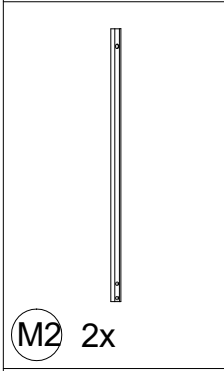
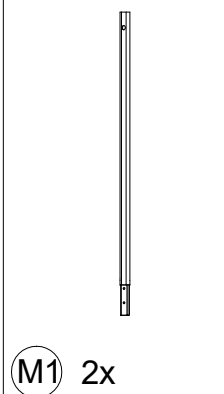
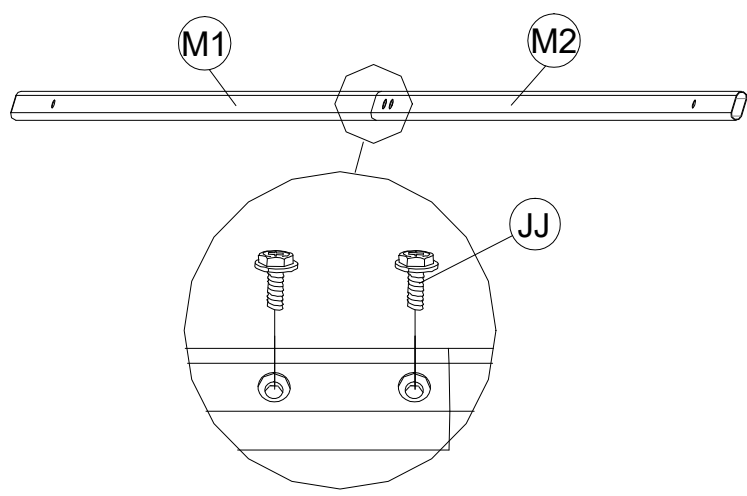
CC 10x



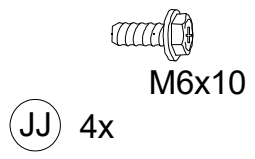
M6x15

AA 10x

<8>

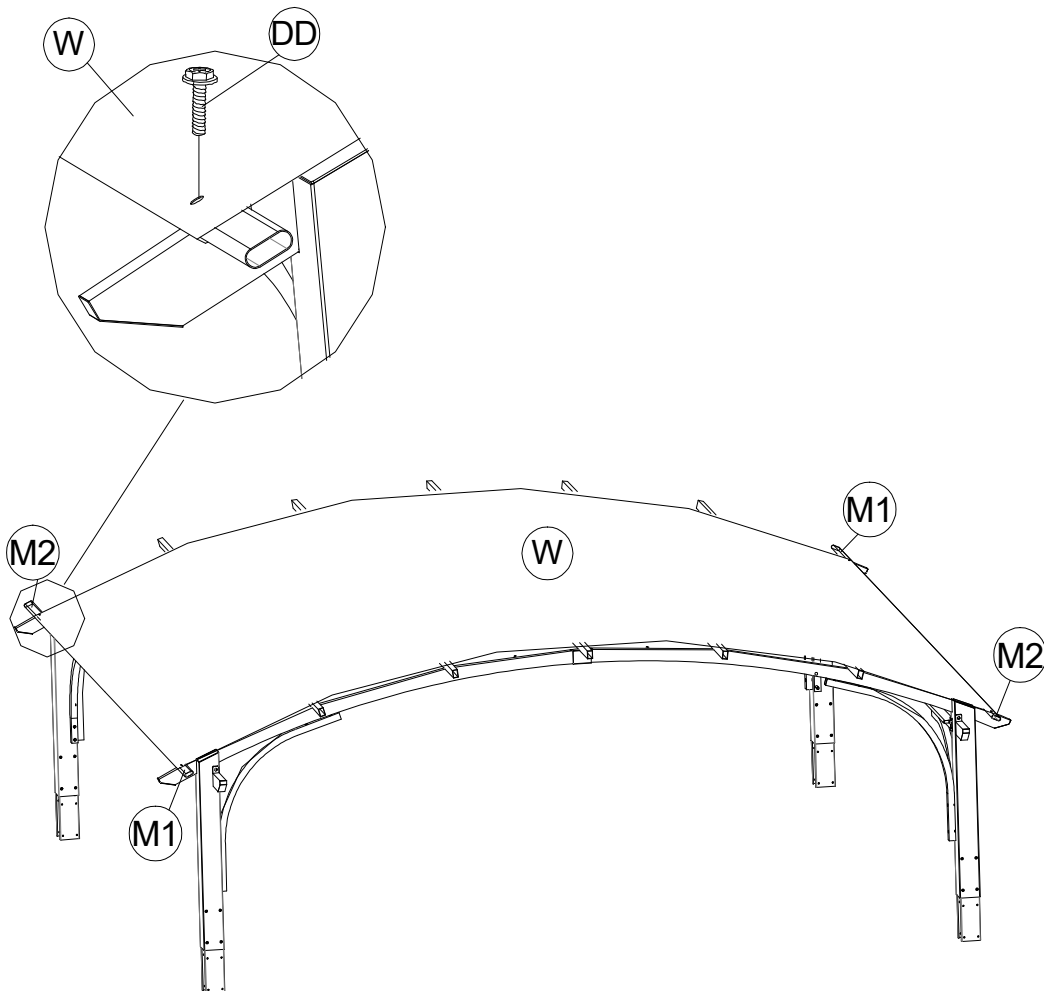


After the tubes are assembled, they are run in from both ends of the cloth.

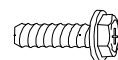


8

<9>



Unroll the cloth, flatten it and tighten
the screws at both ends.



M6x25

DD 4x

9

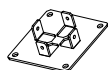
<10>



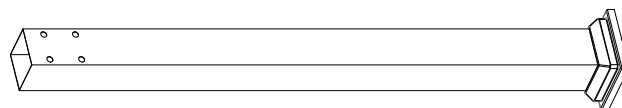
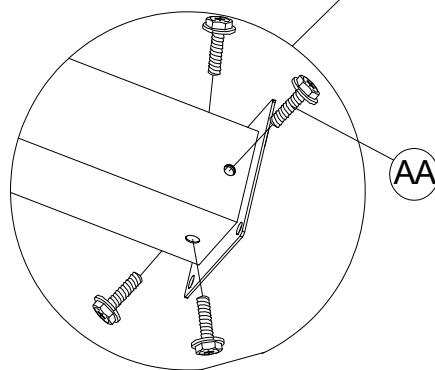
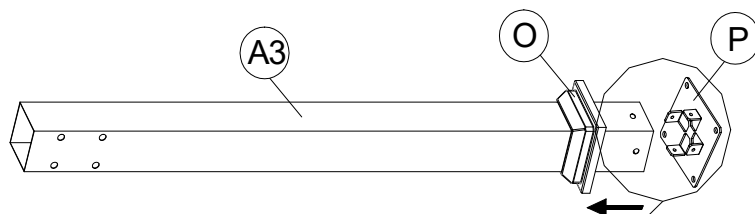
A3 4x



O 4x



P 4x



10



M6x15

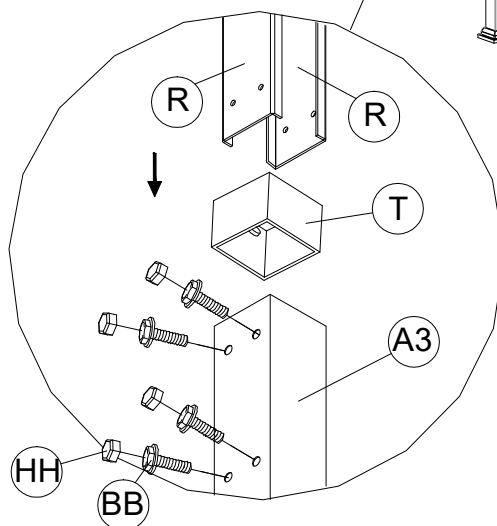
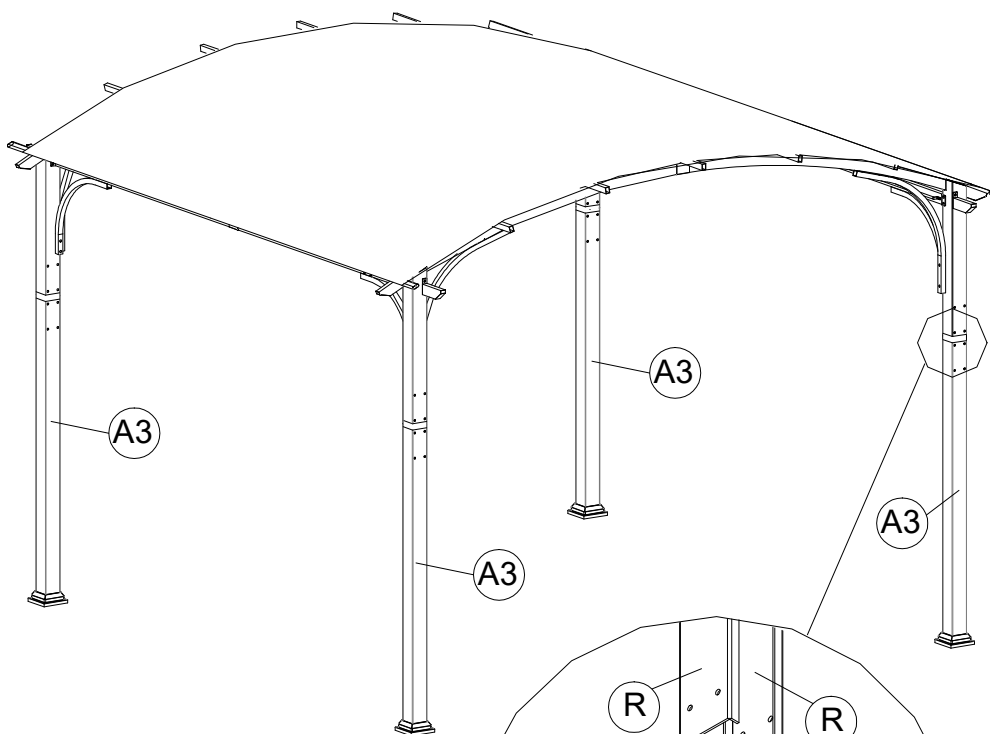
AA 16x

<11>

Column assembly requires 3-4 people to help keep it smooth.



T 4x



11



M6

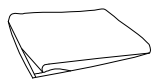
HH 32x



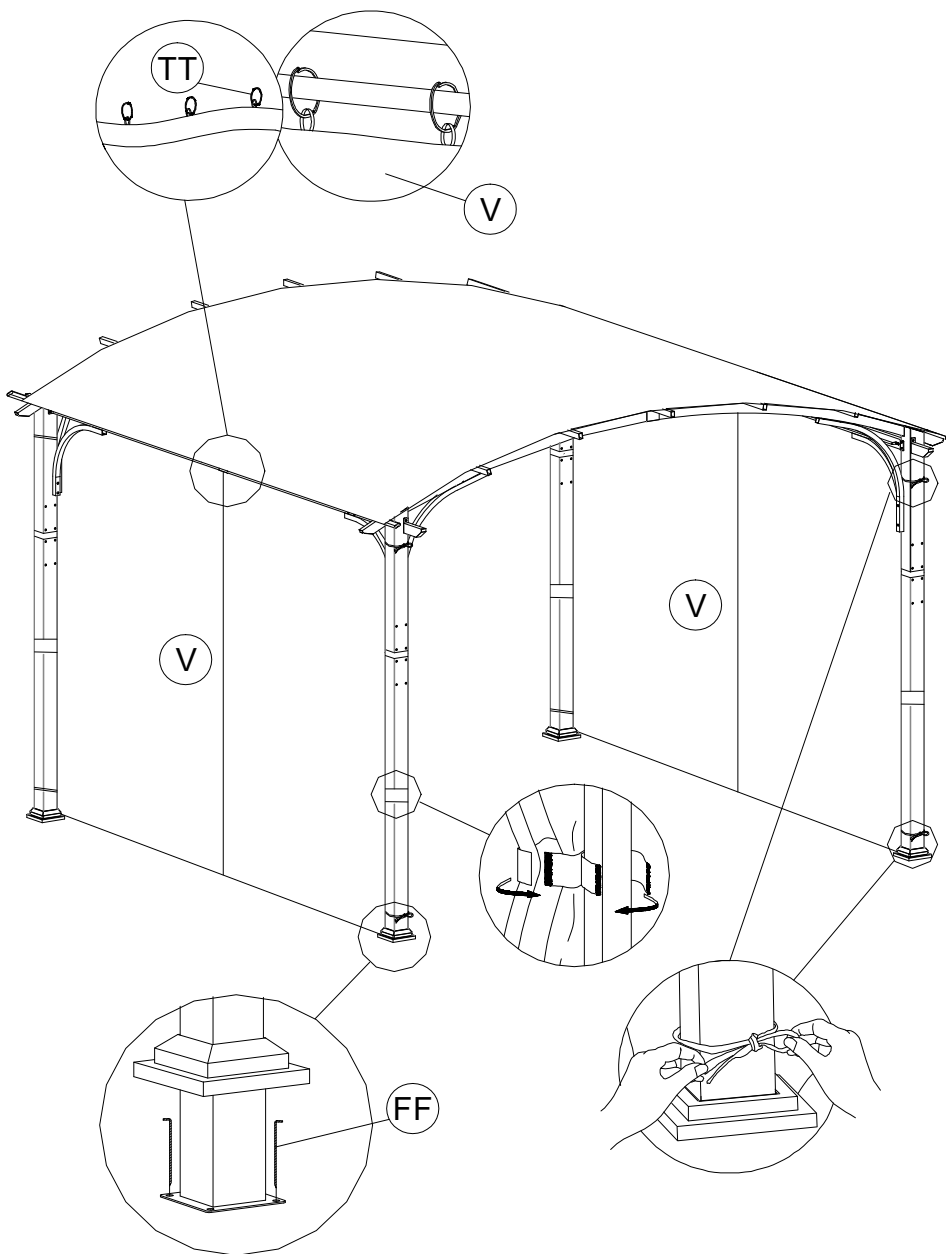
M6x15

BB 32x

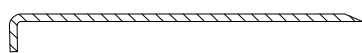
<12>



V 2x



12



FF 8x

D6x230



TT 24x