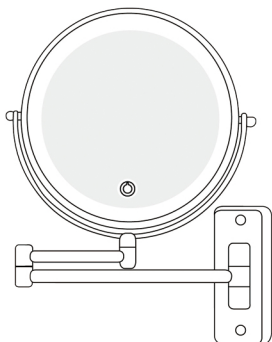


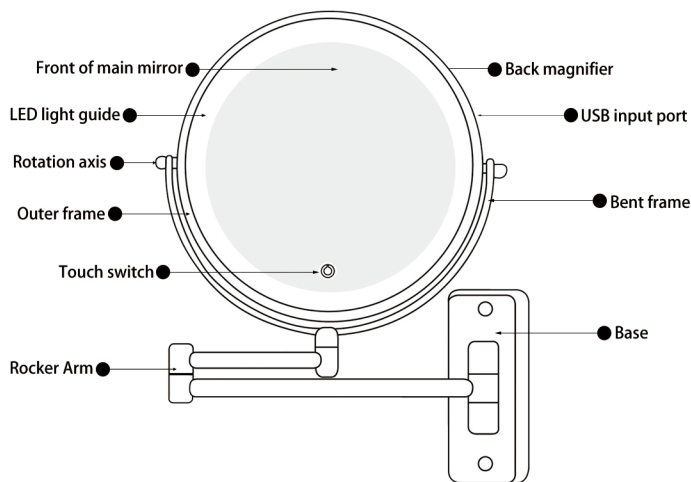
# WALL MOUNTED LED MAKEUP MIRROR

## Operating Manual

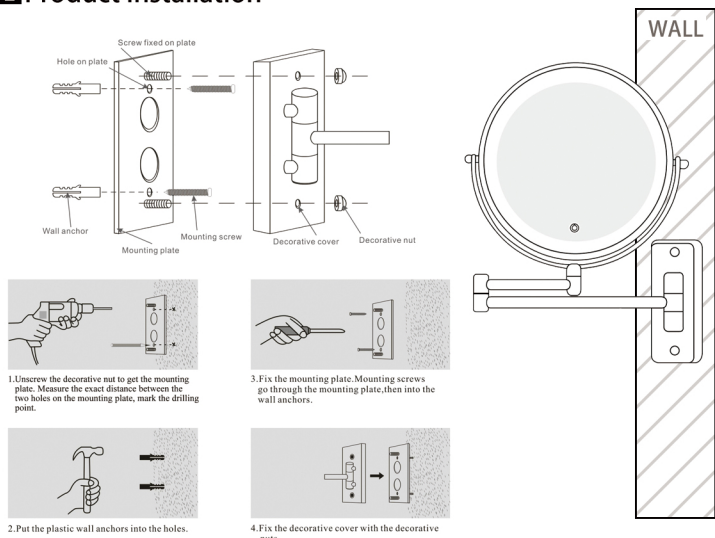


Thanks for buying our product.  
Please read this instruction and attention carefully for better use.  
To save this instruction.

## 1 Product Appearance



## 2 Product Installation



## 3 Product Features

- The product uses high color LED light beads to truly restore the skin color. Excellent lighting and more delicate makeup.
- HD mirror double-sided structure, flat mirror on the front and magnifying glass on the back, making up clearer when magnified.
- The product has a unique mirror 360° rotation design, and various angles can be switched at will.
- Electroplated chrome color, lasting and non fading. Touch switch.
- Light color: three colors can be switched freely.
- Long press the touch switch to adjust the brightness, short press to switch the light color, and double-click to turn off the light.
- Product power supply: Lithium battery powered and USB charging.
- Anti slip design of counterweight base, stable and anti falling.

**Note:** The above features are subject to the actual purchase style.

## 4 Product Specification

Product model:	Y820	<b>Packing list</b>
Product color:	Chrome	
Texture of material:	Electroplate	1. Main mirror x1
Mirror size:	200mm	2. Rocker Arm x1
Total length:	450mm	3. Base x1
Net weight of product:	About 900g	4. USB cable
Power input:	6V	5. Instruction x1
Battery:	2000mA Lithium battery	
Rated power:	10W	
Color temperature:	3000-6000K	
Switching mode:	Touch switch	
Style:	European style	
Light source color:	White light, Warm light, Natural light	

## 5 Matters Needing Attention

### Safety Precautions

1. Do not place the product in a hot or humid place.
2. Do not disassemble the product by yourself to avoid affecting your use.
3. Do not wet or place the product in water to avoid short circuit.
4. Do not use it excessively to avoid eye discomfort.
5. Do not squeeze the product with external force to avoid damage or deformation.
6. Do not knock the mirror hard to avoid damage to the glass mirror.
7. Please place the product horizontally before use.
8. Do not let the liquid flow into the mirror to avoid short circuit damage.
9. In case of any abnormality during the use of the product, please stop using it.

Thank you for choosing our products and serving you wholeheartedly.