



# **TEMPERED GLASS GARDEN TABLE**

# SAFETY & WARNINGS

## Warning

- Do not place very hot or very cold items on the glass surface(s) unless adequately thick table mats are used to prevent such items from coming into contact with the glass.
- Do not sit or stand upon the glass surface(s).
- Do not use the glass as a chopping surface. Do not strike the glass with hard or pointed items.
- When cleaning glass panels use a damp cloth or leather with washing up liquid or soft soap if necessary, do not use washing powders or any other substance containing abrasives since these substances scratch glass.

## Safety Information

- Check you have all the components and tools listed on pages 3.
- Remove all fittings from the plastic bags and separate them into their groups.
- Keep children and animals away from the work area small parts could choke if swallowed.
- Make sure you have enough space to layout the parts before starting.
- Do not stand or put excessive weight on the product this could cause damage.
- Parts of the assembly will be easier with 2 people.
- Place the product on flat and steady surface during use.
- Assemble on a soft level surface to avoid damaging the unit or your floor.
- Only upon completion of the assembly should all fixing points be fully tightened.

# COMPONENTS



A: Tabletop (x1)



B: Leg (x4)



C: Connecting  
Panel (x1)



D: Connecting  
Panel (x1)



E: Screw (x8)  
M6 x 53



F: Allen Key (x1)

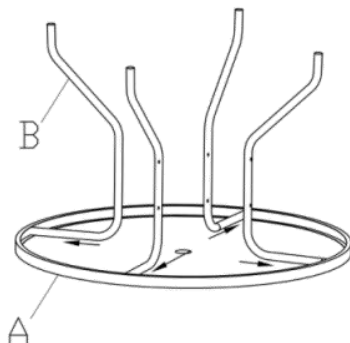


G: Spanner (x1)

# INSTALLATION

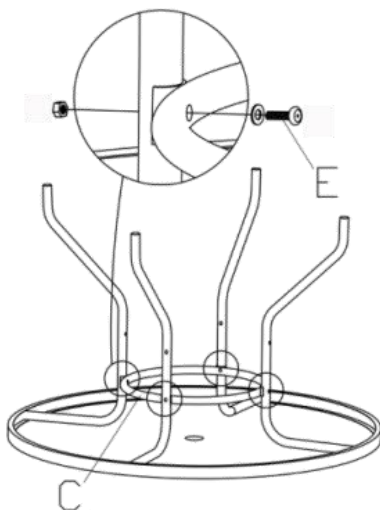
## Step 1

Place the tabletop (A) upside down on a flat and non-abrasive surface. Attach four legs (B) to the tabletop (A).



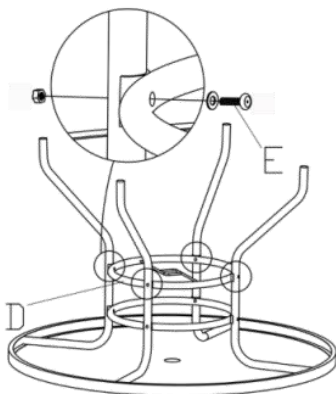
## Step 2

Attach the connecting panel (C) to four legs (B) with screws (E).



**Step 3:**

Attach the connecting panel (D) to four legs (B) with screws (E).



**Step 4:**

Turn the table in its upright position, it is ready for use.



## CLEANING & CARE

- Wipe regularly with clean water and a damp, clean, soft white cloth.
- General cleaning can be done as needed with a mild detergent and water solution.
- Always rinse with clean water and dry. For heavy soiling, dampen a soft white cloth or soft bristle brush. Use care as scrubbing can damage the surface.
- DO NOT use any cleaners with corrosive ingredients (lye, acids or ammonia).
- This product should not be discarded with household waste. Take to your local authority waste disposal centre.