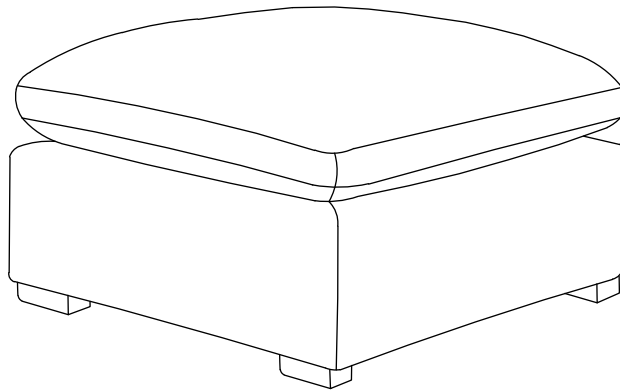
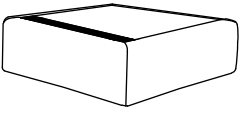
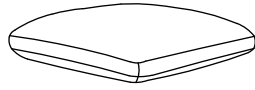
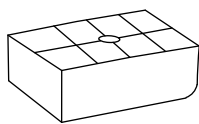
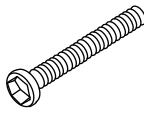
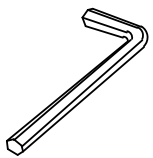


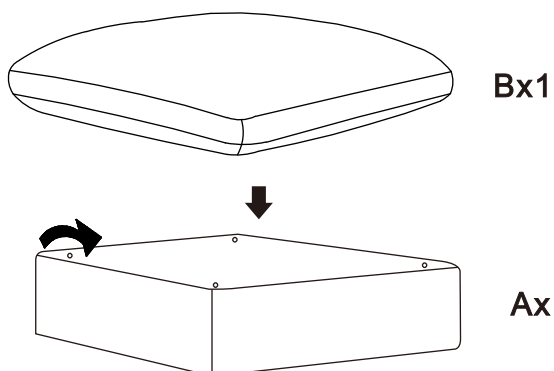
# ASSEMBLY INSTRUCTION



## PARTS LIST

A	B	C	D	E
				
X1	X1	X4	X4	X1

### Packing list:

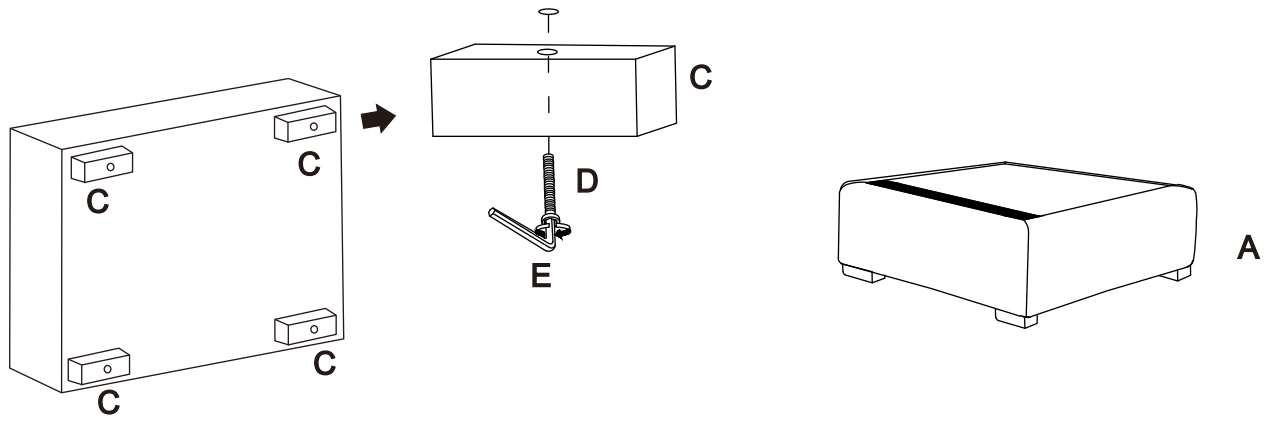


Carton 5/5



Hardware

**STEP 1:**



**STEP 2:**

