



ASSEMBLY INSTRUCTIONS

UltraHD® Tall Storage Cabinet (Model No. 16264, 16267, 16268, 16269)

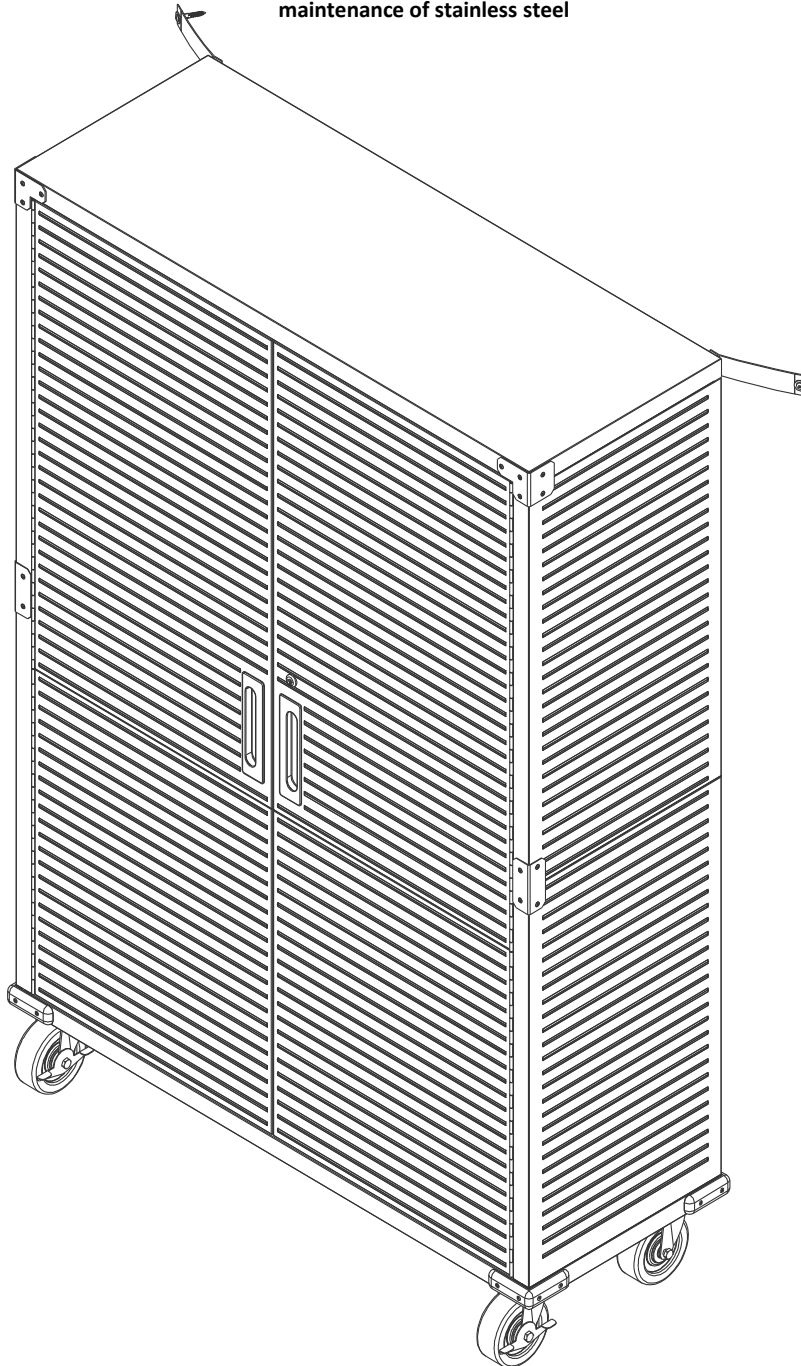
Granite Graphite Red White

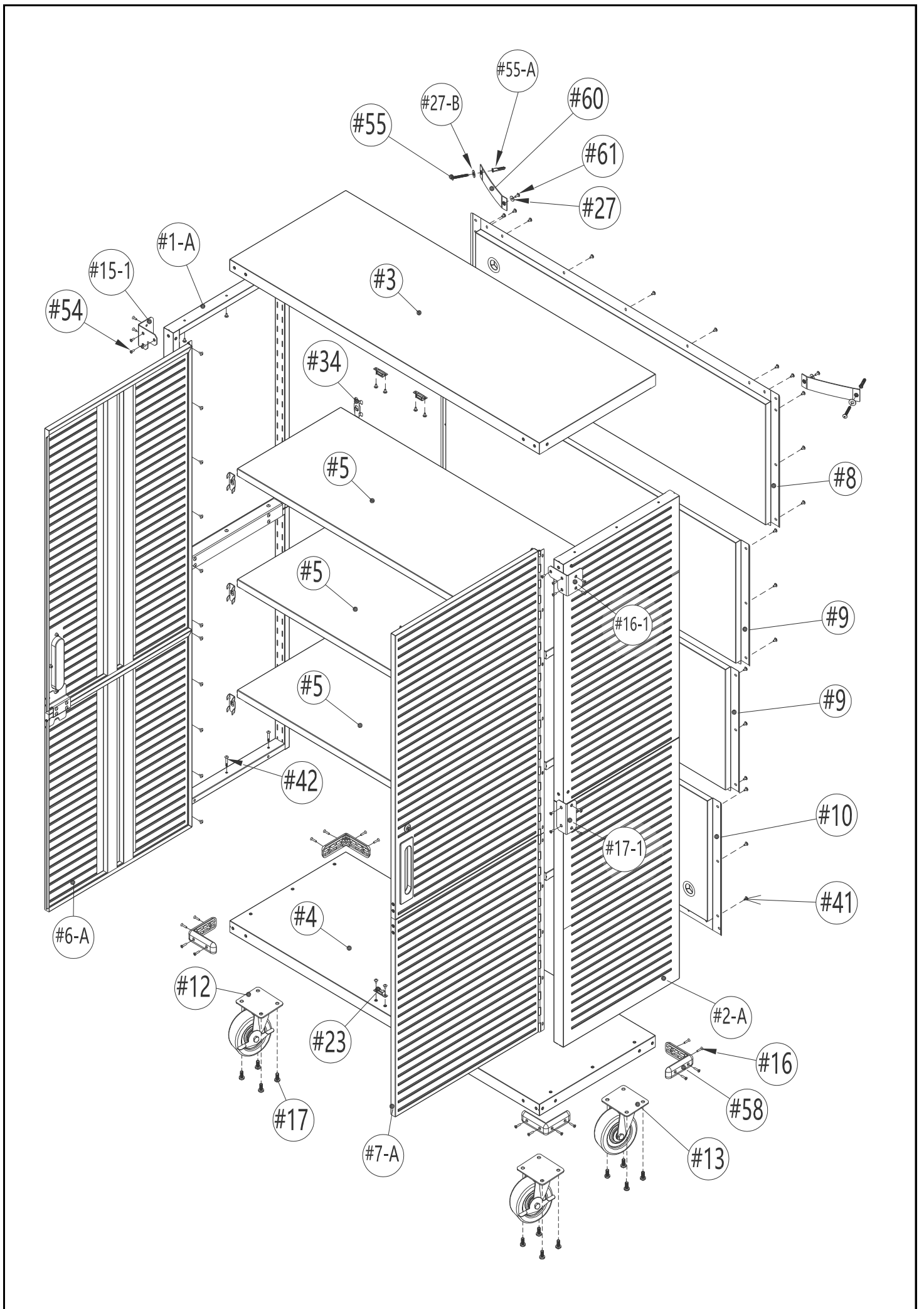
48 in. W x 18 in. x 72 in. H
(121.9 cm x 45.7 cm x 1.83 m)

ULTRAGUARD®

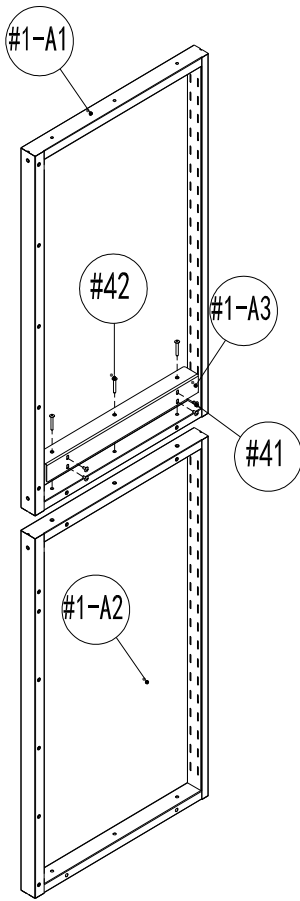
FINGERPRINT RESISTANT SURFACES
AND INCREASED DURABILITY

Reference page 12 for special care and
maintenance of stainless steel

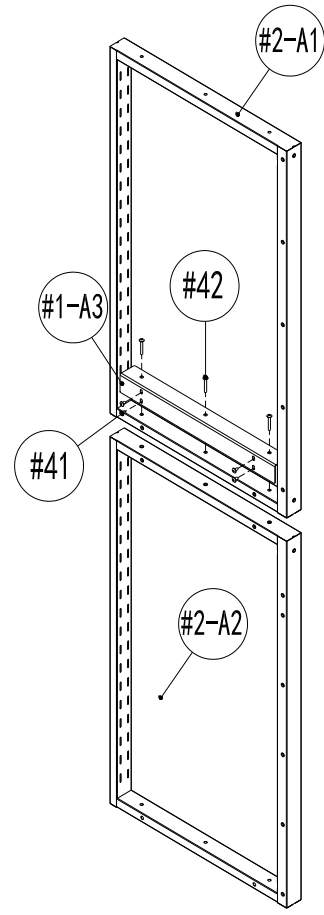




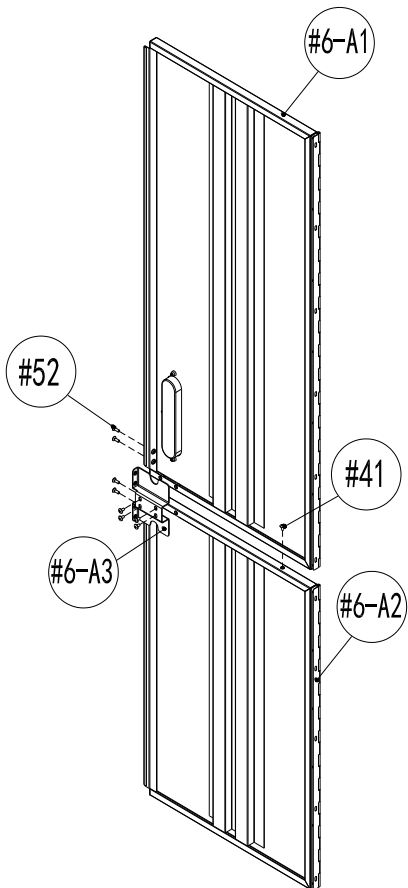
(#1-A) Left Side Panel



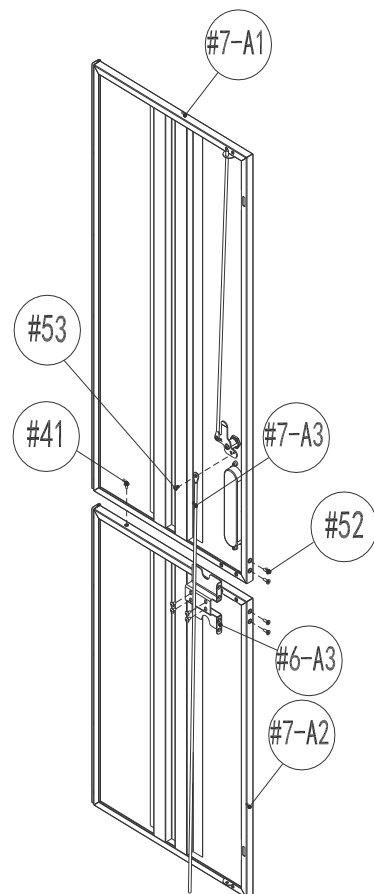
(#2-A) Right Side Panel



(#6-A) Left Door

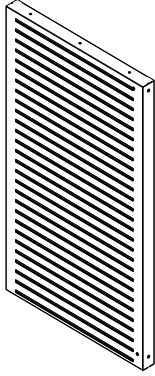


(#7-A) Right Door

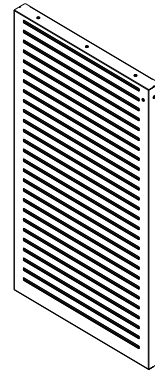


PARTS LIST

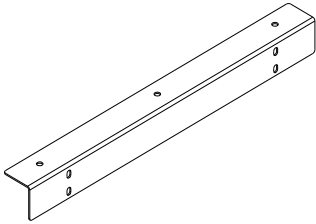
Please check the parts carefully according to the parts list. If you are missing any parts, please contact our customer service department. (Please refer to page 13)



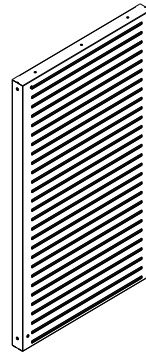
(#1-A1) Left Side - Upper Panel x 1 PC



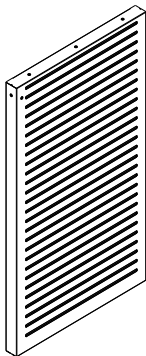
(#1-A2) Left Side - Bottom Panel x 1 PC



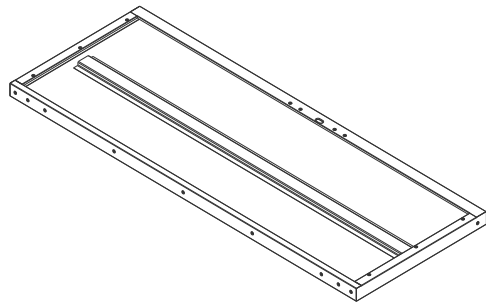
(#1-A3) Side Panel Reinforcement Connection Part x 2 PCS



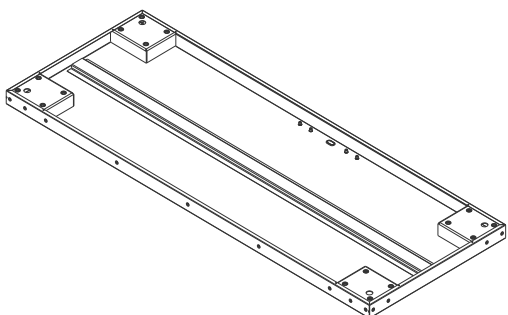
(#2-A1) Right Side - Upper Panel x 1 PC



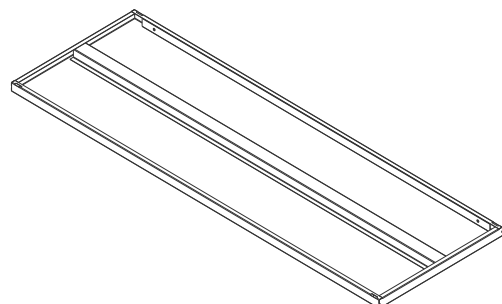
(#2-A2) Right Side - Bottom Panel x 1 PC



(#3) Top Panel x 1 PC



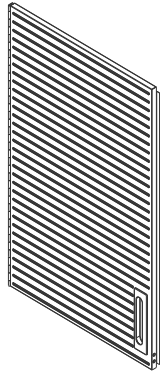
(#4) Bottom Panel x 1 PC



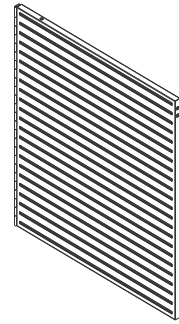
(#5) Middle Shelf x 3 PCS

PARTS LIST

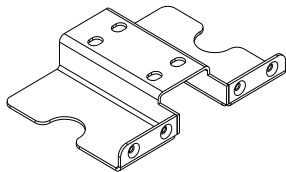
Please check the parts carefully according to the parts list. If you are missing any parts, please contact our customer service department. (Please refer to page 13)



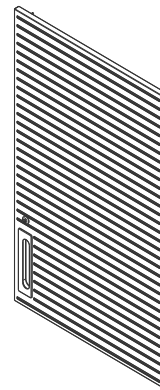
(#6-A1) Left Door - Upper Panel x 1 PC



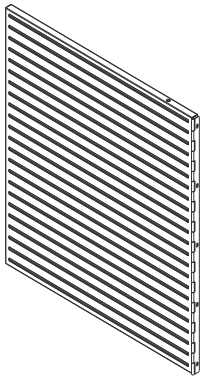
(#6-A2) Left Door - Bottom Panel x 1 PC



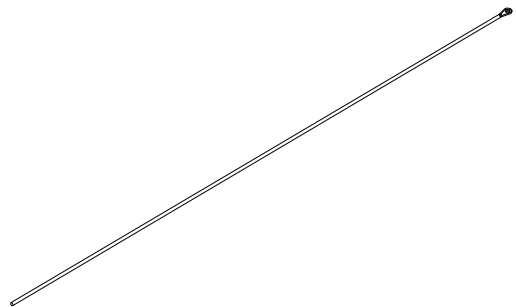
(#6-A3) Door Panel Connection Part x 2 PCS



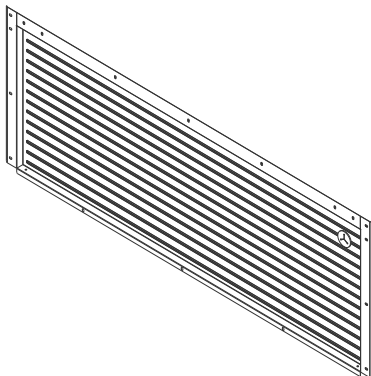
(#7-A1) Right Door - Upper Panel x 1 PC



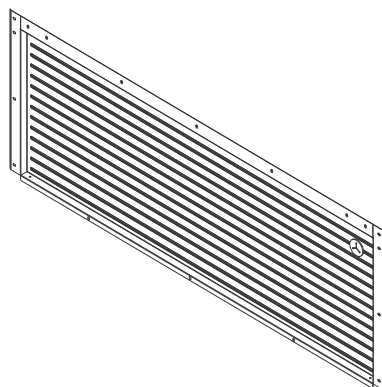
(#7-A2) Right Door - Bottom Panel x 1 PC



(#7-A3) Key Rod x 1 PC



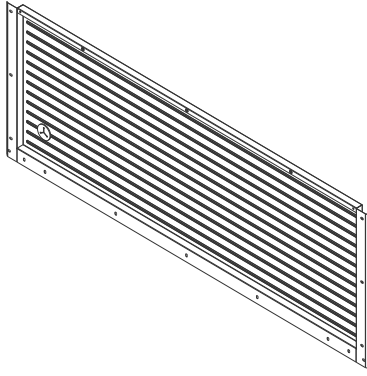
(#8) Upper Back Panel x 1 PC



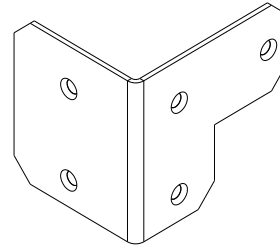
(#9) Middle Back Panel x 2 PCS

PARTS LIST

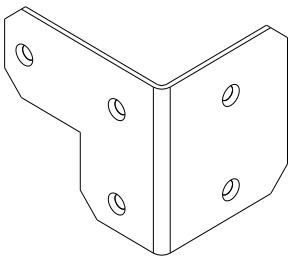
Please check the parts carefully according to the parts list. If you are missing any parts, please contact our customer service department. (Please refer to page 13)



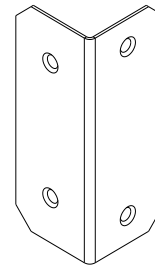
(#10) Bottom Back Panel x 1 PC



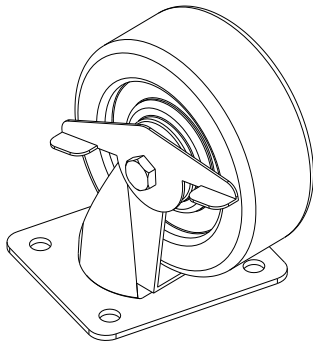
(#15-1) Corner Protection - A x 1 PC



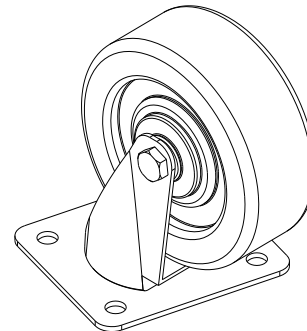
(#16-1) Corner Protection - B x 1 PC



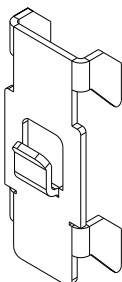
(#17-1) Middle Corner Protection x 2 PCS



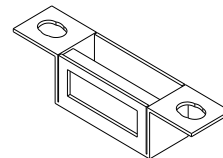
(#12) Wheel with Brake x 2 PCS



(#13) Wheel W/O Brake x 2 PCS



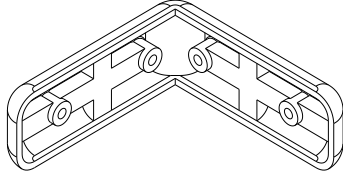
(#34) HOOK x 12 PCS



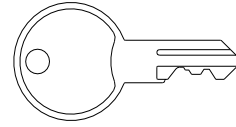
(#23) Magnet x 4 PCS

PARTS LIST

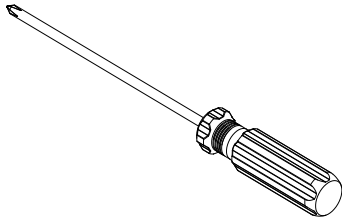
Please check the parts carefully according to the parts list. If you are missing any parts, please contact our customer service department. (Please refer to page 13)



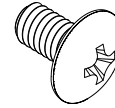
(#58) Bumper x 4 PCS



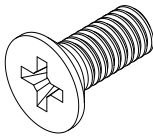
(#22) Key x 2 PCS



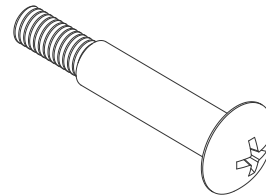
(#21) Screw Driver x 1 PC



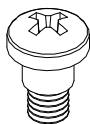
(#41) Screw F (M4 x 8L) x 101 PCS



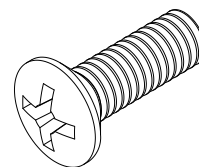
(#52) Screw K (M5 x 10L) x 8 PCS



(#42) Screw G (M4 x 30L) x 12 PCS



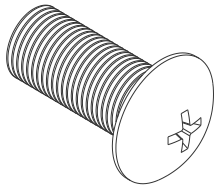
(#53) Screw L (M4 x 6L) x 1 PC



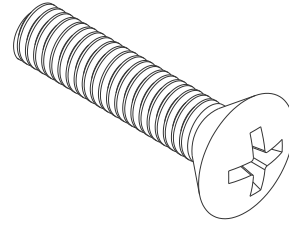
(#54) Screw N (M4 x 10L) x 18 PCS

PARTS LIST

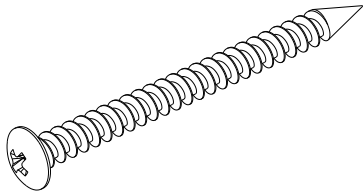
Please check the parts carefully according to the parts list. If you are missing any parts, please contact our customer service department. (Please refer to page 13)



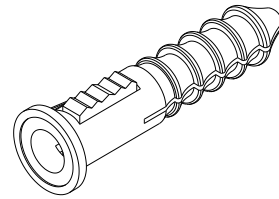
(#17) Screw D (M8x18L) x 16 PCS



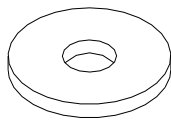
(#16) Screw C (M4x18L) x 16 PCS



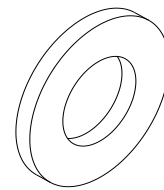
(#55) Screw M (M6 x 50L) x 2 PCS



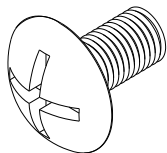
(#55-A) Wall Anchor x 2 PCS



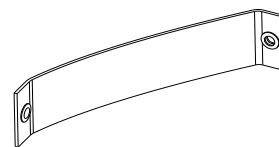
(#27) WASHER (M4) x 2 PCS



(#27-B) WASHER (M8) x 2 PCS



(#61) Screw O (M4 x 12L) x 2 PCS



(#60) Mounting Strap x 2 PCS

UltraHD® Tall Storage Cabinet (Model No. 16264, 16267, 16268, 16269)



*NOTE: We recommend using TWO people to assemble the cabinet.



TIP: A magnetic screwdriver is included for your convenience. If using a power screwdriver, keep torque setting on LOW during assembly.

WARNING: Some parts may have sharp edges. To avoid injury, wearing gloves is recommended during assembly.

Step 1: Install (#1-A) Left Side Panel.

Place the (#1-A1) Left Side - Upper Panel and (#1-A2) Left Side - Bottom Panel together, place the (#1-A3) Side Panel Reinforcement Connection Part over the touching edges, line up screw holes, use 3pcs of (#42) Screw G to tighten from the side, then use 4pcs of (#41) Screw F to tighten from the top side.

Note: Make sure the (#1-A1) Left Side Upper Panel is flush with (#1-A2) Left Side Bottom Panel.

Step 2: Install (#2-A) Right Side Panel.

Repeat **Step 1**, use (#2-A1) Right Side Upper Panel, (#2-A2) Right Side Bottom Panel, (#1-A3) Side Panel Reinforcement Connection Part, 3pcs (#42) Screw G and 4pcs (#41) Screw F to install (#2-A) Right Side Panel.

Step 3: Install (#6-A) Left Door.

1). Place (#6-A1) Left Door - Upper Panel and (#6-A2) Left Door - Bottom Panel together, line up screw holes, use 1pc (#41) Screw F to tighten from the side.

2). Place the (#6-A3) Door Panel Connection Part over the touching sides, line up the screw holes, use 4 pcs (#41) Screw F to tighten from the top, and use 4 pcs (#52) Screw K to tighten from outside edge.

Note: Make sure the (#6-A1) Left Door - Upper Panel is flushed with (#6-A2) Left Door - Bottom Panel.

UltraHD® Tall Storage Cabinet (Model No.16264, 16267, 16268, 16269)



*NOTE: We recommend using TWO people to assemble the cabinet.



Step 4: Install (#7-A) Right Door.

Repeat **Step 3**, use (#7-A1) Right Door - Upper Panel, (#7-A2) Right Door - Bottom Panel, (#6-A3) Door Panel Connection Part, use 1pc (#41) Screw F to tighten the touching sides, use 4pcs (#41) Screw F to tighten from the top touching side, and 4pcs (#52) Screw K to tighten from outside edge.

Note: Make sure the (#7-A1) Right Door - Upper Panel is flushed with (#7-A2) Right Door - Bottom Panel.

Step 5: Install (#7-A3) Key Rod.

Attach and insert (#7-A3) Key Rod into the bottom tab hole of (#7-A2) Right Door - Bottom Panel, twist out the Pre-assembled (#53) Screw L on the key rod linkage plate, attach (#7-A3) Key Rod by lining up the screw hole and tightening back in the (#53) Screw L.

Step 6: Install (#3) Top Panel to (#1-A1) Left Side Upper Panel and (#2-A1) Right Side Upper Panel.

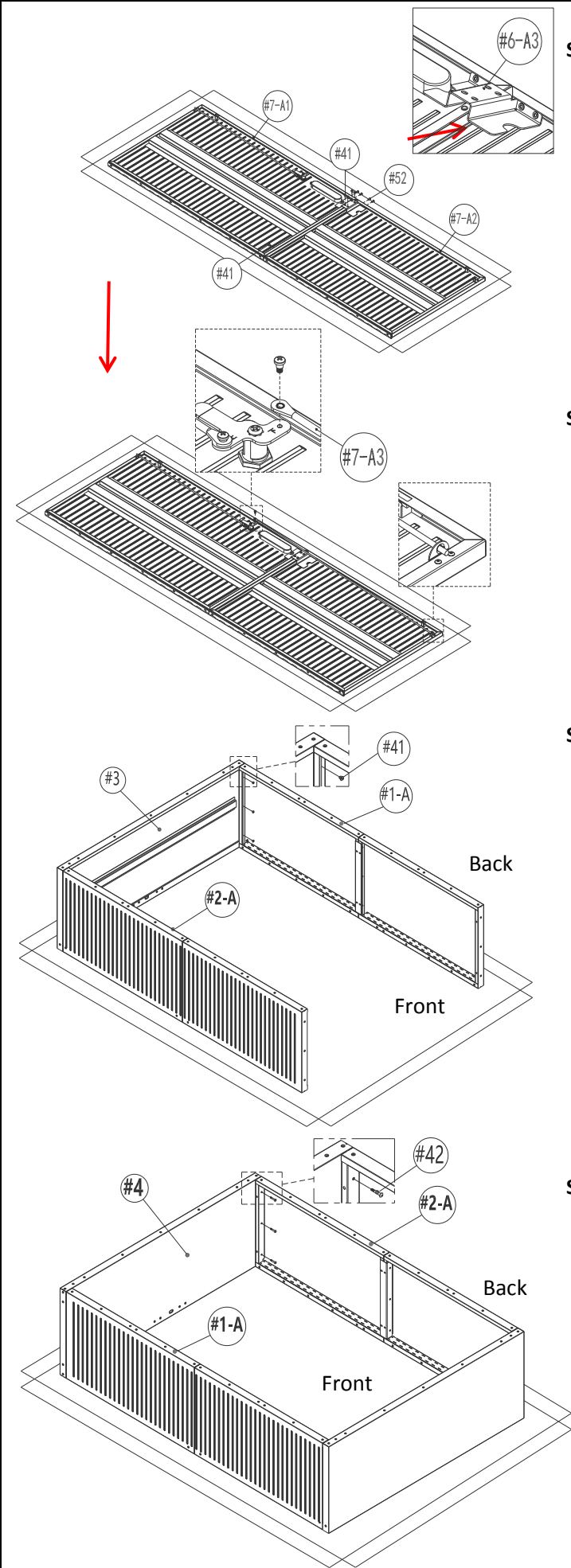
Attach (#3) Top Panel to (#1-A1) Left Side Upper Panel and (#2-A1) Right Side Upper Panel. Make sure the front of the panel faces downward. Line up screw holes, use 6 pcs (#41) Screw F to tighten.

Note: Before tightening screws, make sure the bottom corners of (#1-A1, #2-A1) Left Side Upper Panel and Right Side Upper Panels are completely flush with the back and front corners of (#3) Top Panel.

Step 7: Install (#4) Bottom Panel to (#1-A2) Left Side Bottom Panel and (#2-A2) Right Side Bottom Panel.

Attach (#4) Bottom Panel to (#1-A2) Left Side Bottom Panel and (#2-A2) Right Side Bottom Panel, line up screw holes, use 6 pcs (#42) Screw G to tighten.

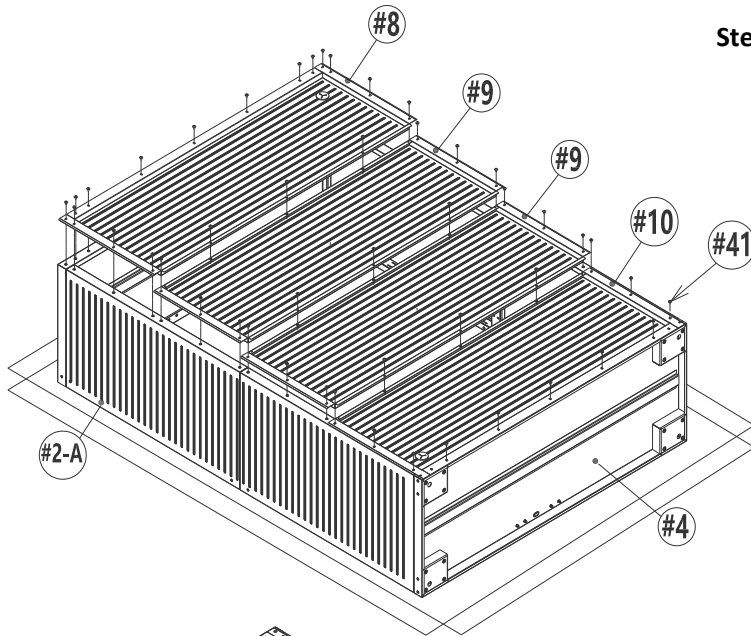
Note: Before tightening screws, make sure the bottom corners of (#1-A2, #2-A2) Left Side Bottom Panel and Right Side Bottom Panels are completely flush with the back and front corners of (#4) Bottom Panel.



UltraHD® Tall Storage Cabinet (Model No. 16264, 16267, 16268, 16269)

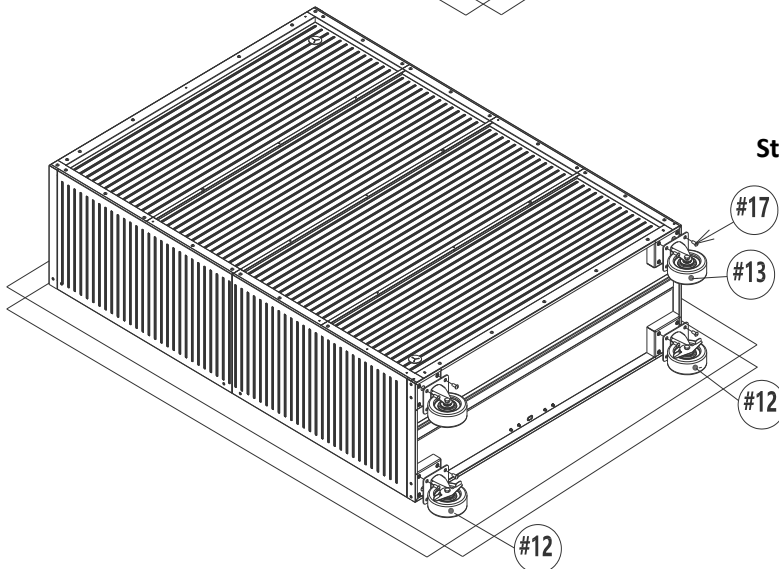


*NOTE: We recommend using TWO people to assemble the cabinet.



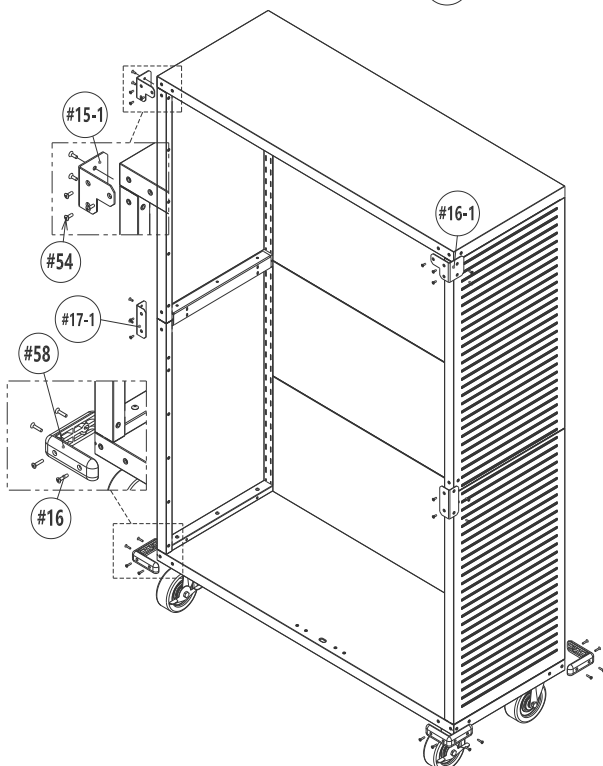
Step 8: Install (#8, #9 and #10) Back Panels.

- 1). Attach (#10) Bottom Back Panel onto both Bottom of Left and Right Side Panels (#1-A2 and #2-A2) and Bottom Panel (#4), line up screw holes, use 11 pcs (#41) Screw F to tighten.
- 2). Attach 2pcs (#9) Middle Back Panel above (#10) Bottom Back Panel the same way. Place the groove of the (#9) Middle Back Panel onto the top edge of the (#10) Bottom Back Panel, use 18 pcs (#41) Screw F to tighten.
- 3). Use 18 pcs (#41) Screw F to install (#8) Upper Back Panel the same way.



Step 9: Install (#12 & #13) Wheels.

- Attach Wheels (#12 and #13) to the Bottom Panel and surrounding frame.
- Make sure the Wheels with Brake are installed at the front side.
- Use 16pcs Screws D (#17) to tighten.



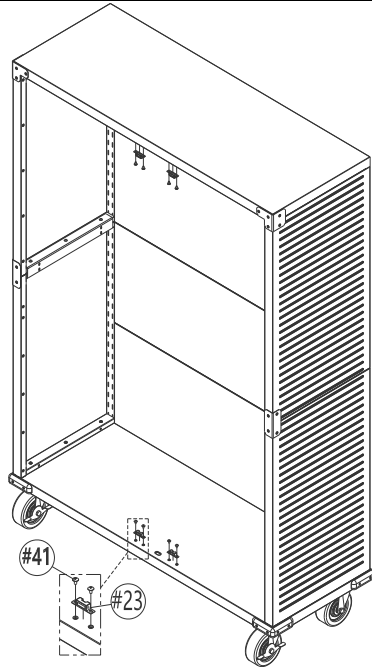
Step 10: Install (#15-1, #16-1 and #17-1,#58) Corner Protections.

- 1). Attach (#15-1, #16-1) Corner Protection A, B onto Top and Bottom of the cabinet, use 10 pcs (#54) Screw N to tighten.
- 2). Attach (#17-1) Middle Corner Protection to the middle of (#1-A) Left Side Panel and (#2-A) Right Side Panel, use 8 pcs (#54) Screw N to tighten.
- 3). Attach Bumpers (#58) to the bottom four corners of the cabinet. Use 16pcs Screws C (#16) to tighten them.

UltraHD® Tall Storage Cabinet (Model No. 16264, 16267, 16268, 16269)

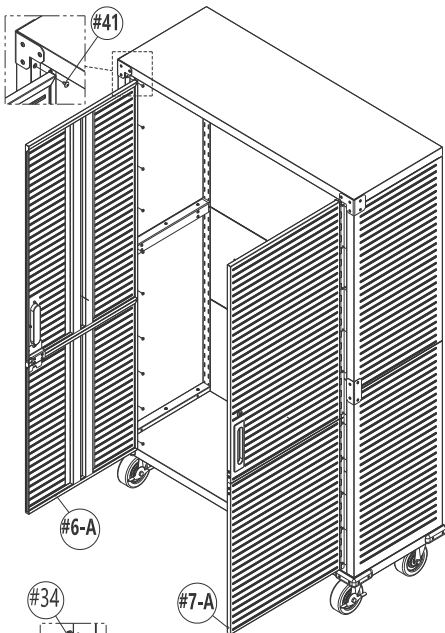


*NOTE: We recommend using TWO people to assemble the cabinet.



Step 11: Install (#23) Magnet.

Place (#23) Magnet onto (#3) Top Panel and (#4) Bottom Panel facing the front, use 8pcs (#41) Screw F to tighten.



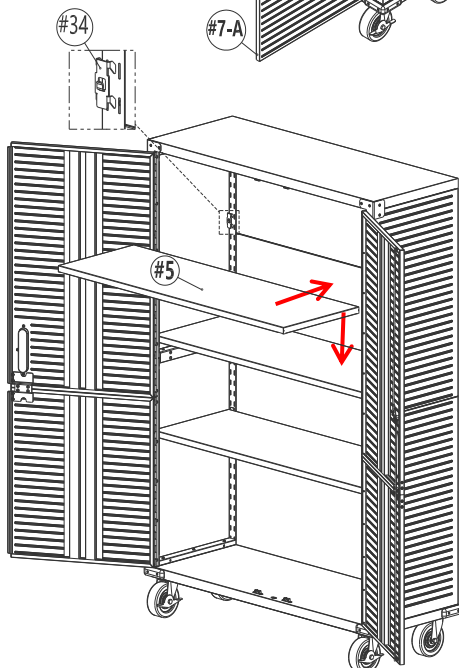
Step 12: Install (#6-A, #7-A) Left and Right Doors.

1). Attach (#6-A) Left Door to (#1-A) Left Side Panel, use 11 pcs (#41) Screw F to tighten.

Note: The screw holes on the door hinge have tolerance, enabling the door to be adjusted and centered in the door frame. Place top, middle and bottom Screws first. Don't tighten screws completely -- this may save by time making it easier to level door panels later.

2). Install (#7-A) Right Door the same way.

Note: The leveling feet may need to be adjusted after this step to help align door panels in the door frame.



Step 13: Install (#5) Middle Shelf.

1). Decide the height for the each Middle Shelf (#5). Place 1pc of (#34) Hook into the hook slot where each corner of shelf should be placed. Make sure the hooks supporting each shelf are at same height.

Note: All (#5) Middle Shelf need a hook at each corner to support it.

2). Place each (#5) Middle Shelf into cabinet and push down onto (#34) Hooks.

NOTE: 150 lbs. maximum loading for each shelf.

UltraHD® Tall Storage Cabinet (Model No. 16264, 16267, 16268, 16269)



*NOTE: We recommend using TWO people to assemble the cabinet.



Step 14: Install Mounting Strap (#60)

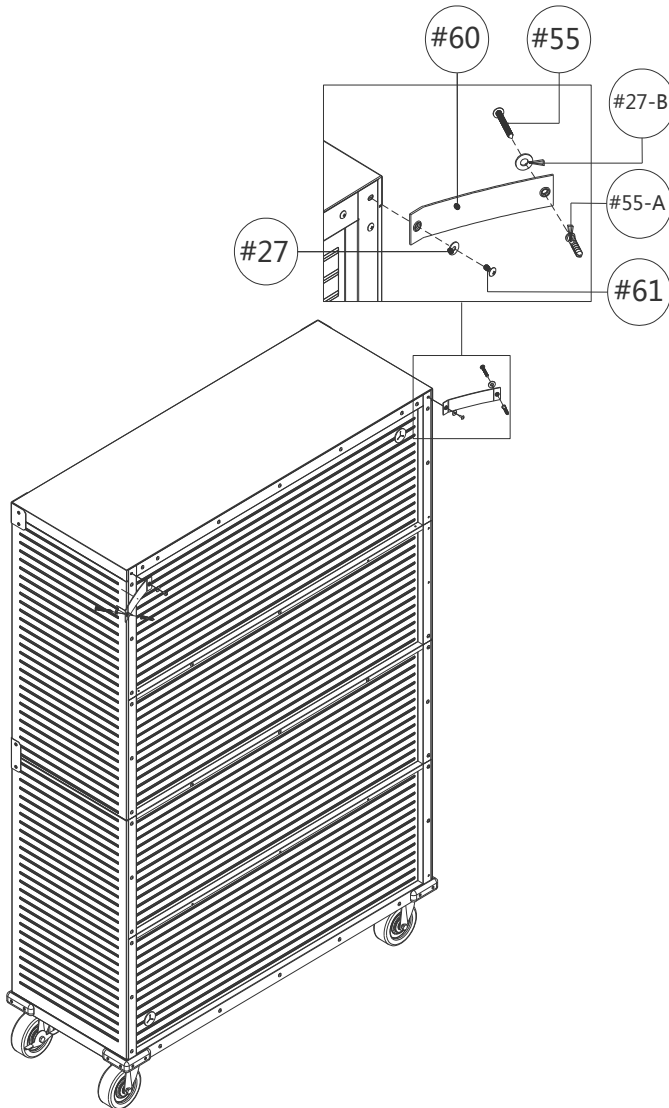
A. Remove 1 pc Screw F (#41) from the back corner protection.

B. Attach the Mounting Strap (#60) to the back Corner Protection brackets as the left photo shows using Screw O (#61) and Washer (#27).

C. Drill a hole in the wall with a 5/16" drill bit, insert the Wall Anchor (#55-A) into the hole.

D. Attach the other end of the Mounting Strap (#60) to the wall using Screw M (#55) and Washer (#27-B).

Repeat steps A through D to install the other mounting strap.



UltraHD® Stainless Steel Care Instructions

The stainless steel is protected with UltraGuard® fingerprint resistant finish.

DO NOT use traditional stainless-steel cleaners. To safely manage unwanted fingerprints and prevent new stains, perform the following steps once monthly:

- Lightly wipe with warm water and clean microfiber cloth
- Always wipe in the direction of the surface grain (NEVER ACROSS)
- Wipe away excess water with dry clean cloth

CONTACT INFORMATION

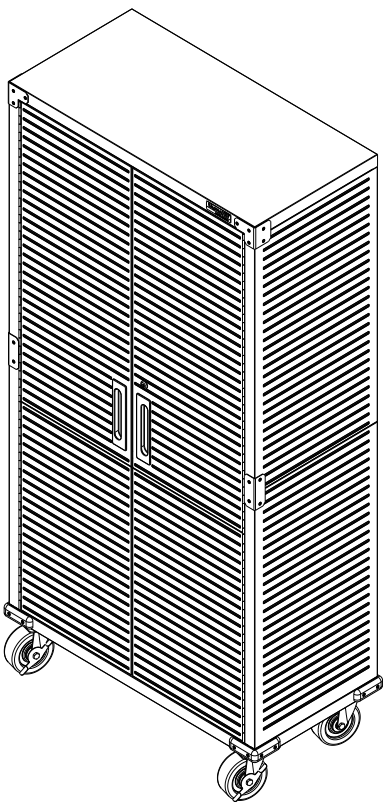
If you are missing any parts, have any questions, or need additional assistance in assembly, please contact our bilingual (English and Spanish) customer service department at:



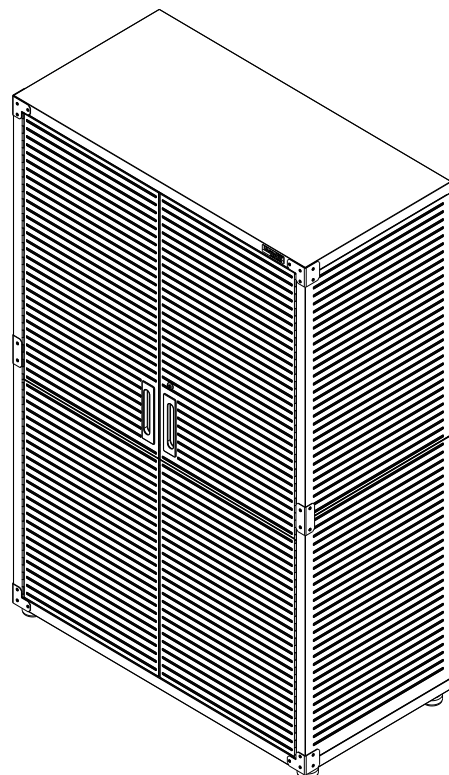
Seville Classics, Inc.
19401 Harborage Way Torrance, CA 90501 USA
Telephone: (800) 323-5565 within USA
Fax: (310) 533-3899
Hours: 9:00am - 4:30pm (Pacific Standard Time)
E-mail: support@sevilleclassics.com
Website & Online Store: www.sevilleclassics.com

*****Please visit our website or call and inquire about our additional UltraHD Line*****

UltraHD® Line

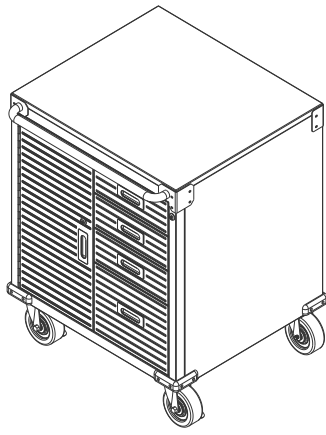


UltraHD® Tall Storage Cabinet
Model No. 16236 (Granite)
Model No. 20143 (Graphite)
Model No. 20153 (Red)
Model No. 20133 (White)



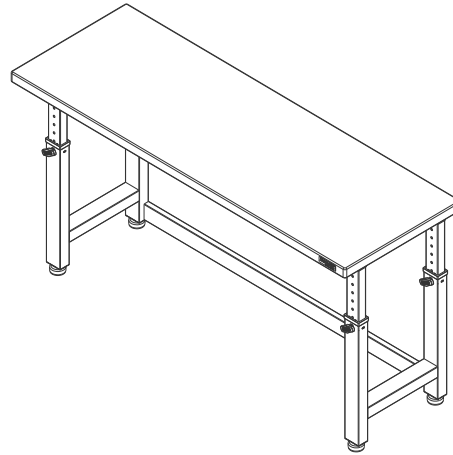
UltraHD® Mega Storage Cabinet
Model No. 16238 (Granite)
Model No. 20148 (Graphite)
Model No. 20158 (Red)
Model No. 20138 (White)

UltraHD® Line



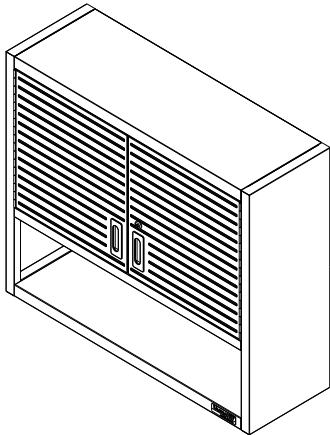
UltraHD® Rolling Cabinet

Model No. 20225 (Granite)
Model No. 20081 (Graphite)
Model No. 20082 (Red)
Model No. 20083 (White)



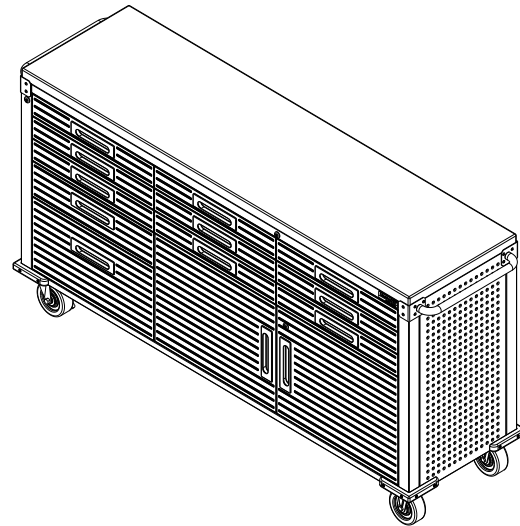
UltraHD® 6-Foot Height Adjustable Workbench

Model No. 20292 (Granite)
Model No. 20293 (Graphite)



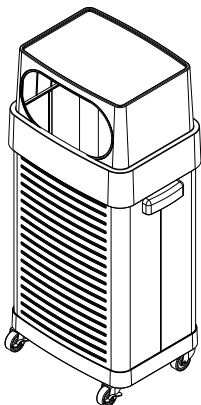
UltraHD® Wall Cabinet with Open Shelf

Model No. 20230 (Granite)
Model No. 20140 (Graphite)
Model No. 20150 (Red)



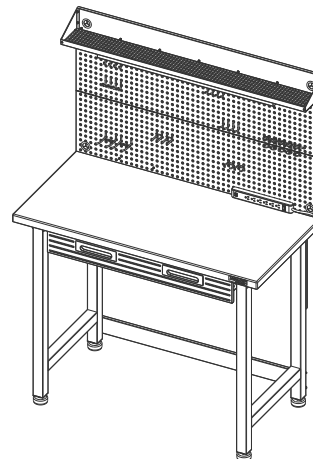
UltraHD® 2-Door Rolling Workbench

Model No. 20262 (Granite)
Model No. 20142 (Graphite)
Model No. 20152 (Red)



UltraHD® Rolling Trash Bin

Model No. 20215



UltraHD® Lighted Workcenter

Model No. 20247 (Granite)
Model No. 20246 (Graphite)
Model No. 20157 (Red)