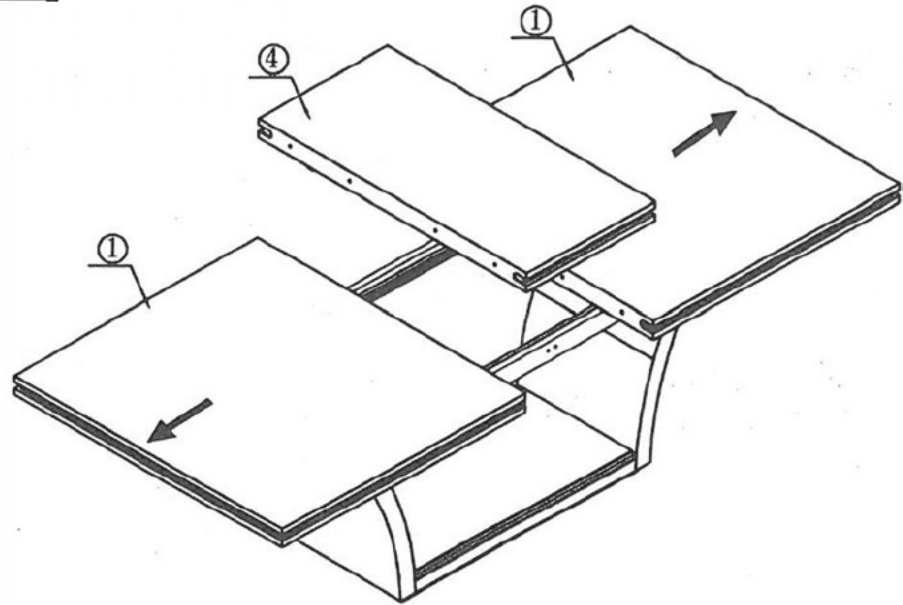


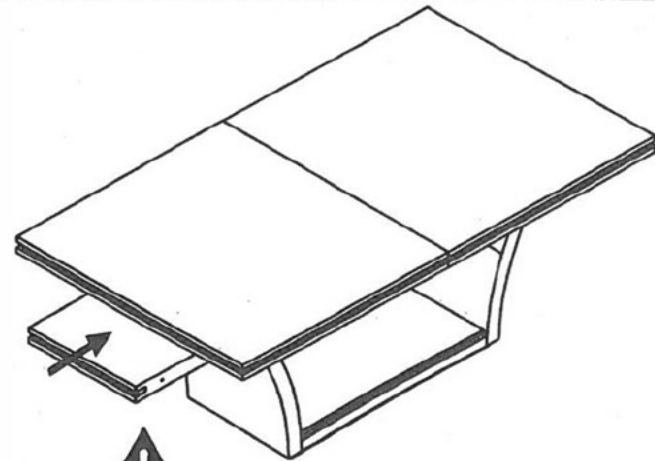
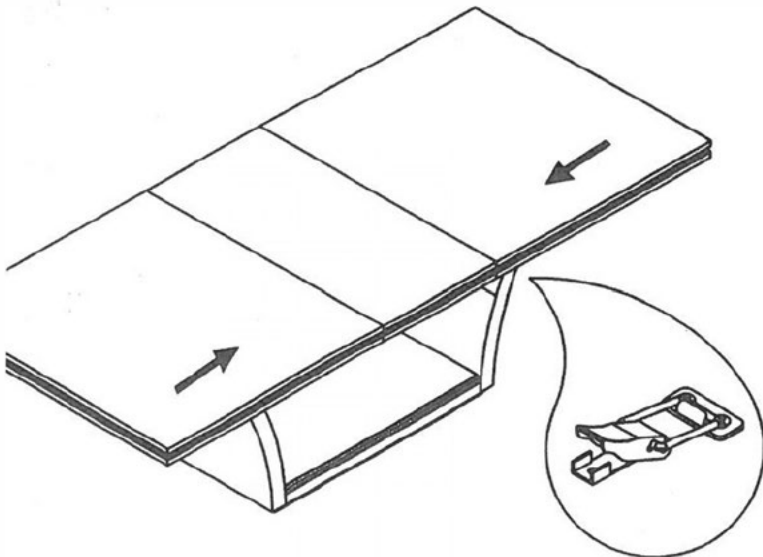
Fix soleplate bottom (4) with Faceplate top (1) by $\varnothing 4 \times 40$ screw

Screw $\varnothing 4 \times 40$
→ JX12

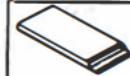
STEP 6



STEP 8







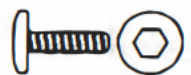

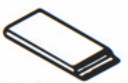



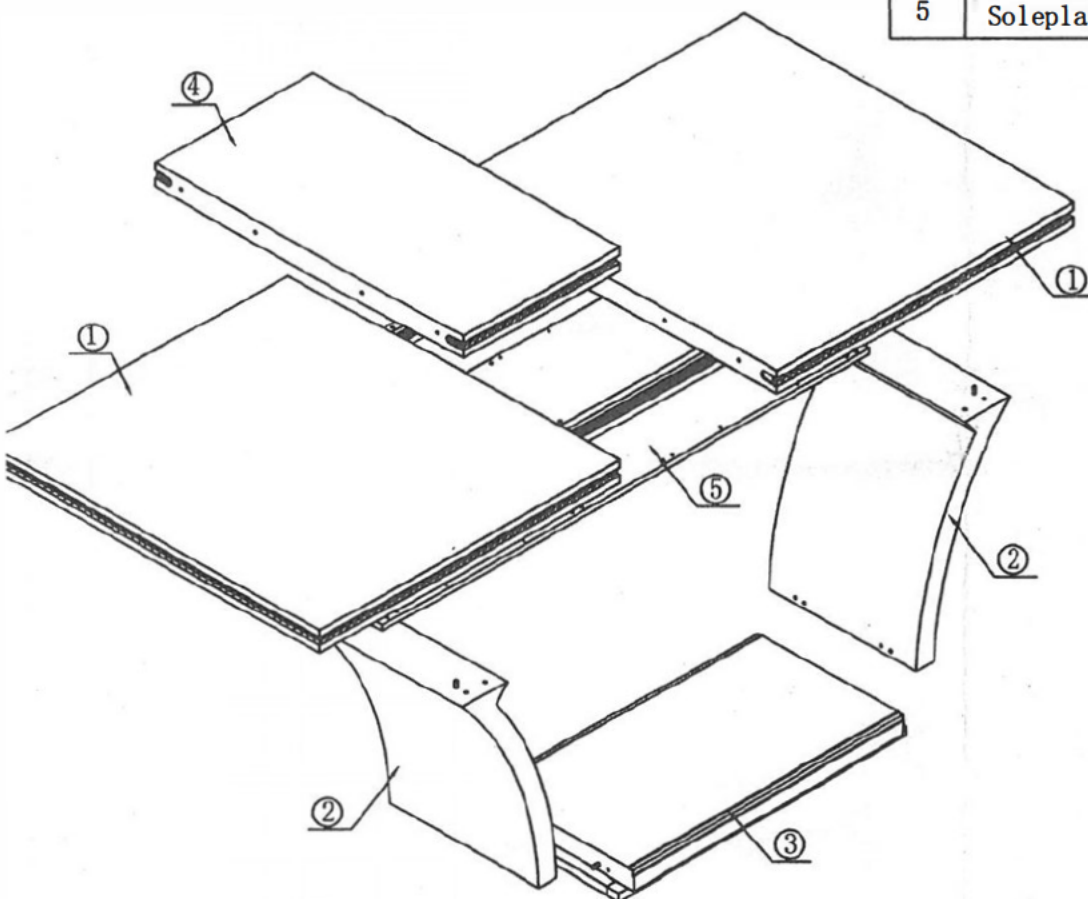
Put the extension in the bag, then hide it under the table face .



Kx1

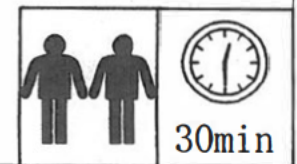
No	Part	Qty
1	Faceplate Top	2
2	Side panel	2
3	Pedestal	1
4	Faceplate Top	1
5	Soleplate Bottom	1

No	Part	Qty
A	 Threaded Bolt M8x70	4
B	 Nut M8	4
C	 Maxiluna Washer Ø40x15	4
D	 Cover Cap Ø40	4
E	 Spanner M8/13mm	1
F	 Gasket M8	8
G	 Screw M8x35	8
H	 Spanner 5mm	1
I	 bag	i
J	 Screw Ø4x40	8



⚠

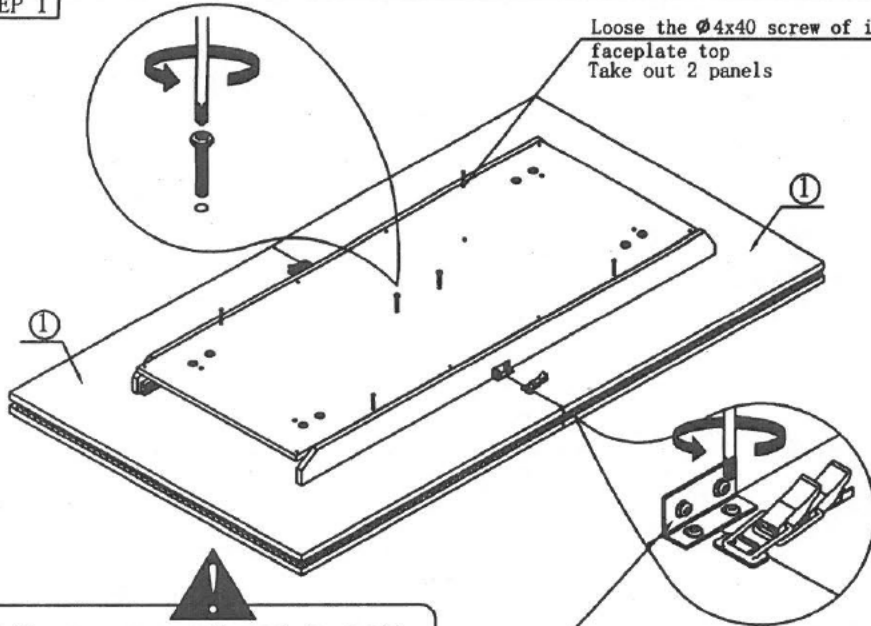
- Please check contents and read instructions before commencing assembly.
- Please use a soft mat to avoid damaging during assembly
- Assemble this article following the enclosed instructions carefully.



DINING TABLE

STEP 1

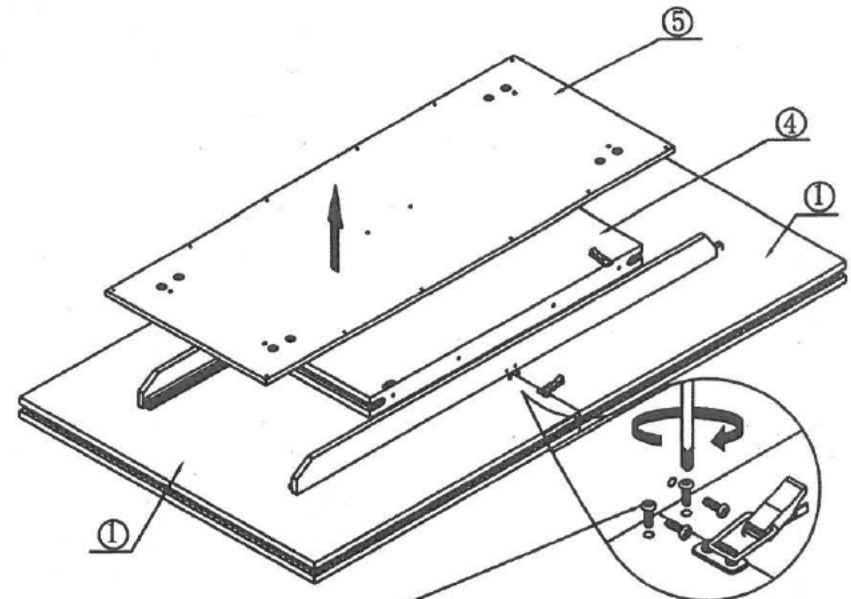
Loose the $\phi 4 \times 40$ screw of inside faceplate top
Take out 2 panels



• Please use a soft mat to avoid damaging during assembly

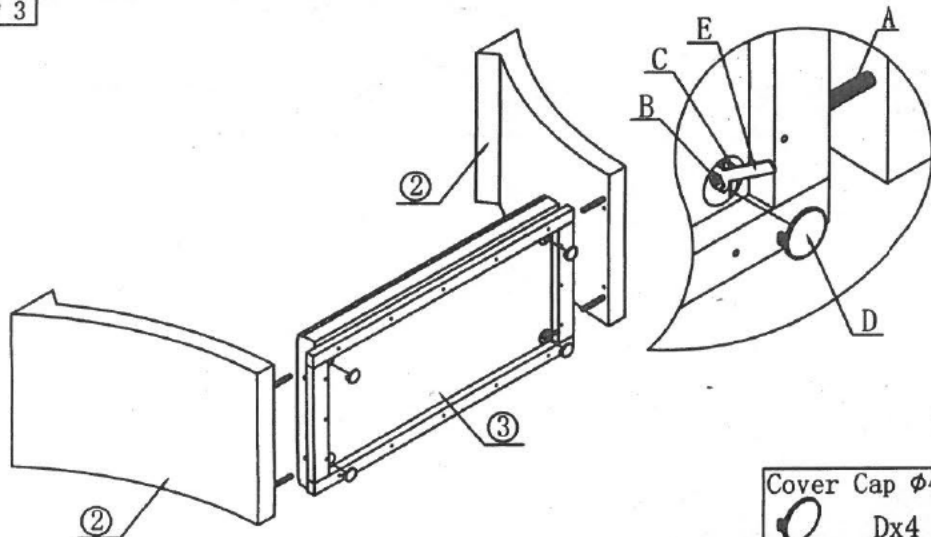
Please remove the Angle iron on the left and right

STEP 2



Please install the removed M6X15 screw back to the original hole position

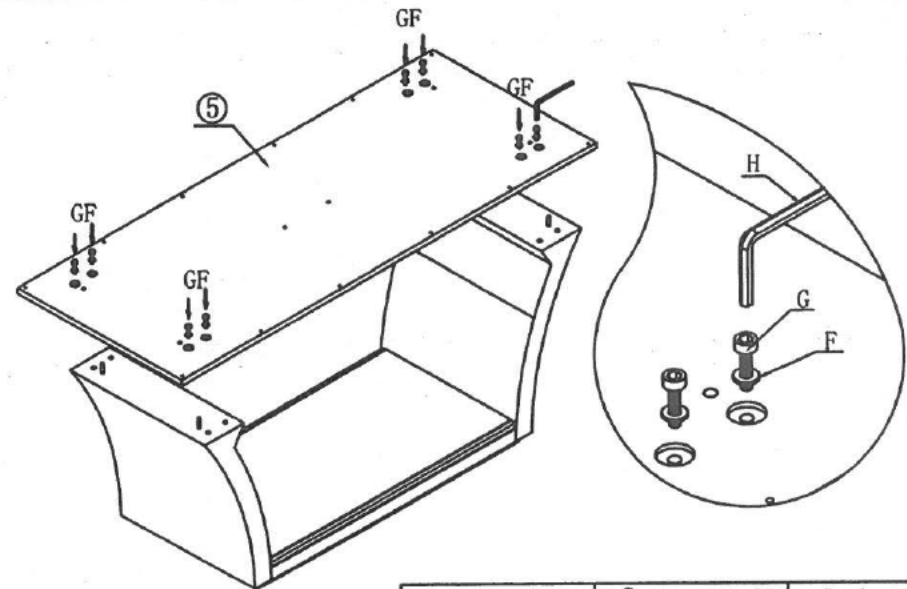
STEP 3



Cover Cap $\phi 40$
Dx4

	$\phi 40 \times 15$ Cx4		Nut M8 Bx4
	M8x70 Ax4		M8 / 13mm Ex1

STEP 4



	Spanner 5mm Hx1		Screw M8x35 Gx8		Gasket M F
--	--------------------	--	--------------------	--	---------------