

## NOTICE

\*Please make sure that you have all parts indicated and they are in good condition before you begin assembly of this item. Refer to part list and hardware list below for guidance.

\*This item should be assembled on a soft surface to prevent scratching the finish during assembly.

\*This item may require periodic tightening.

\*If you are having difficulty, our friendly Customer Care team is always here to help.

## PREPARATION

\*Before beginning assembly of product, make sure all parts are present. Compare parts with part contents list and hardware contents list.

\*If any part is missing or damaged, do not attempt to assemble the product.

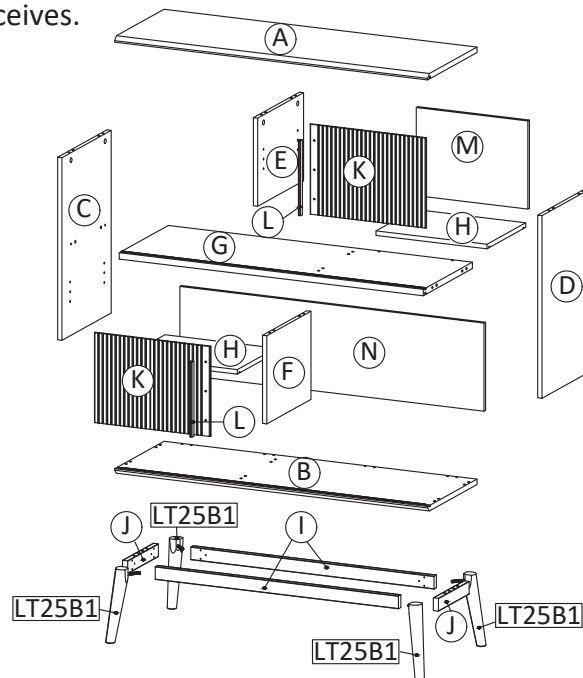
\*Estimated Assembly Time: 60 minutes.

\*Tools Required for Assembly (included): Allen Key

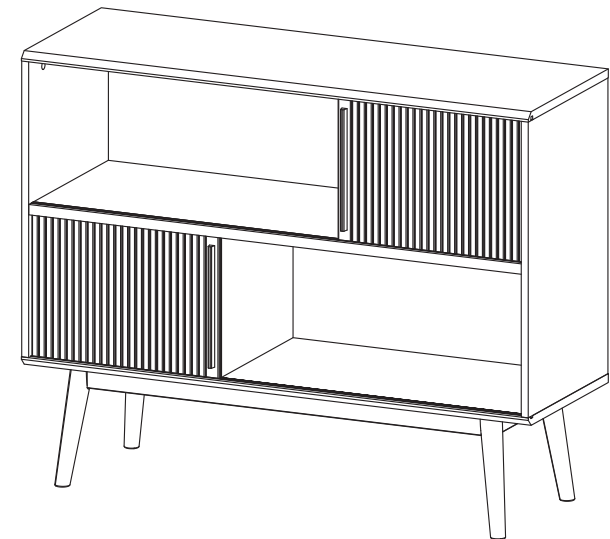
## CARE AND MAINTENANCE

Always use felt pads under all articles to prevent discoloration or softening of the lacquer. Plastic and rubber bases on items can discolor wood. Wipe up spills immediately and avoid common hazards such as hot dishes, harsh solvents and abrasives. Cleaning should be done with a soft lint free cotton cloth dampened with water or furniture polish. On highly used surfaces we recommend applying a quality paste wax which should be used on a regular basis to provide additional protection from scratches and spills. How often you apply the wax depends on how much wear the furniture receives.

### Part List



**Product Dimensions: 43"Wx15"Dx34"H**



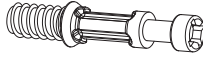



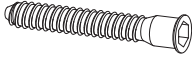


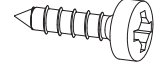
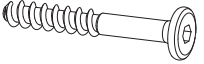




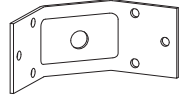
**WARNING :**

**WEIGHT CAPACITY: 55 LBS.**

**Warning : Do not stand on media stand.**

**Warning : Do not over torque bolts.**

## Hardware List

<p>HW1x20</p>  <p>∅ 6 x 35 mm</p>	<p>HW2x12</p>  <p>∅ 15 mm</p>	<p>HW3x28</p>  <p>∅ 8 x 30 mm</p>	<p>HW4x12</p>  <p>∅ 6 x 30 mm</p>	<p>HW5x8</p>  <p>M 7 x 50 mm</p>
<p>HW6x2</p>  <p>L 4</p>	<p>HW7x8</p>  <p>∅ 15 mm</p>	<p>HW8x30</p>  <p>M 4 x 16 mm</p>	<p>HW9x10</p>  <p>M 6.4 x 53 mm</p>	<p>HW10x4</p> 
<p>HW11x1</p> 	<p>HW12x8</p>  <p>∅ 12 mm</p>	<p>HW13x8</p> 	<p>HW BC410x4</p> 	

### Part List & HW For Multi-Box Items

Piece	Description	Qty
A	Top Board	1
B	Bottom Board	1
C	Side Board Left	1
D	Side Board Right	1
E	Center Board 1	1
F	Center Board 2	1
G	Fixed Shelf	1
H	Adjustable Shelf	2
I	Bottom Skirt 1	2
J	Bottom Skirt 2	2
K	Door	2
L	Handle	2
M	Back Board Small	1
N	Back Board Big	1
LT25B1	Leg	4

Piece	Description	Qty
HW1	Cambolt	20
HW2	CamLock Big	12
HW3	Dowel Big	28
HW4	Dowel Small	12
HW5	Screw M 7 x 50 mm	8
HW6	Allen Key	2
HW7	Screw Cap	8
HW8	Screw M 4 x 16 mm	30
HW9	Screw M 6.4 x 53 mm	10
HW10	Flange Nut	4
HW11	Wrench	1
HW12	CamLock Small	8
HW13	Shelf Pin	8
HW BC410	Corner Brace	4

# PREPARATION

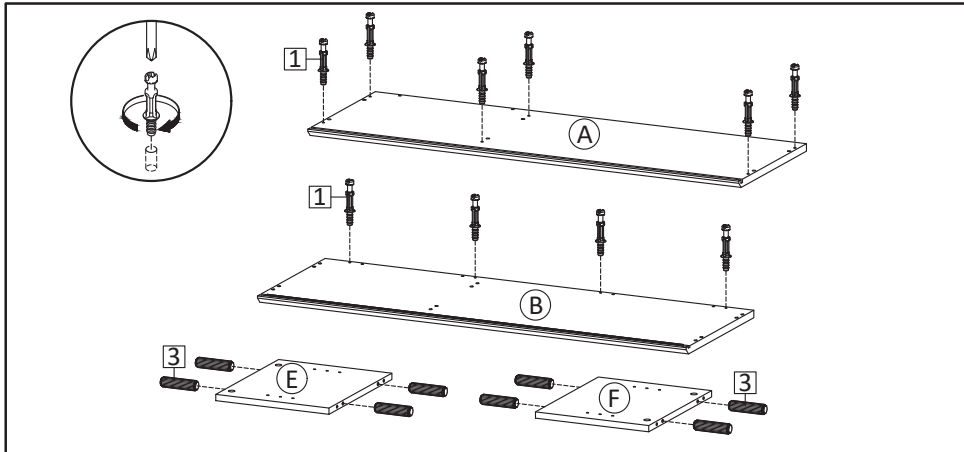
\*Before beginning assembly of product, make sure all parts are present. Compare parts with part contents list and hardware contents list.

\*If any part is missing or damaged, do not attempt to assemble the product.

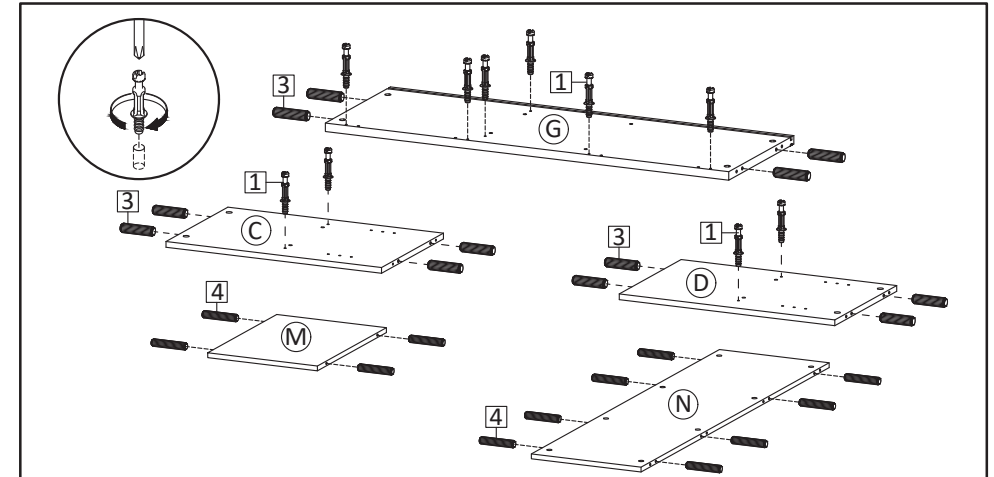
\*Estimated Assembly Time: 60 minutes.

\*Tools Required for Assembly (included): Allen Key

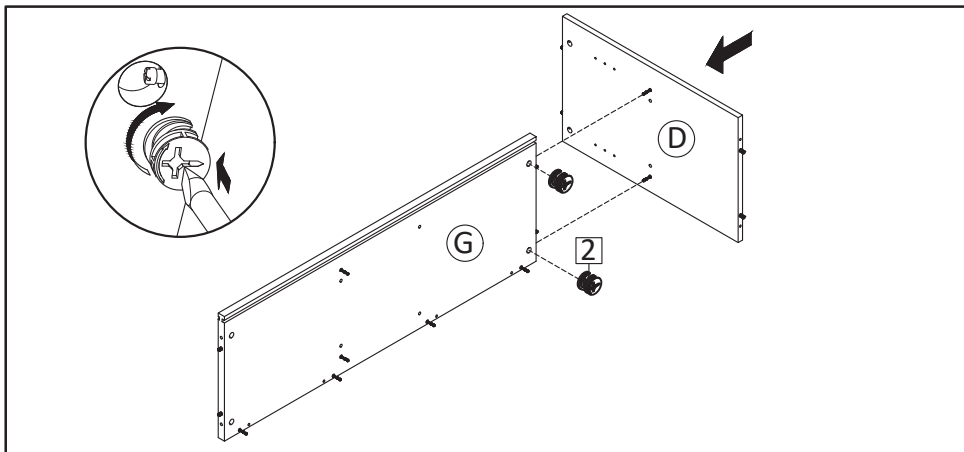
\*If you are having difficulty, our friendly Customer Care team is always here to help.



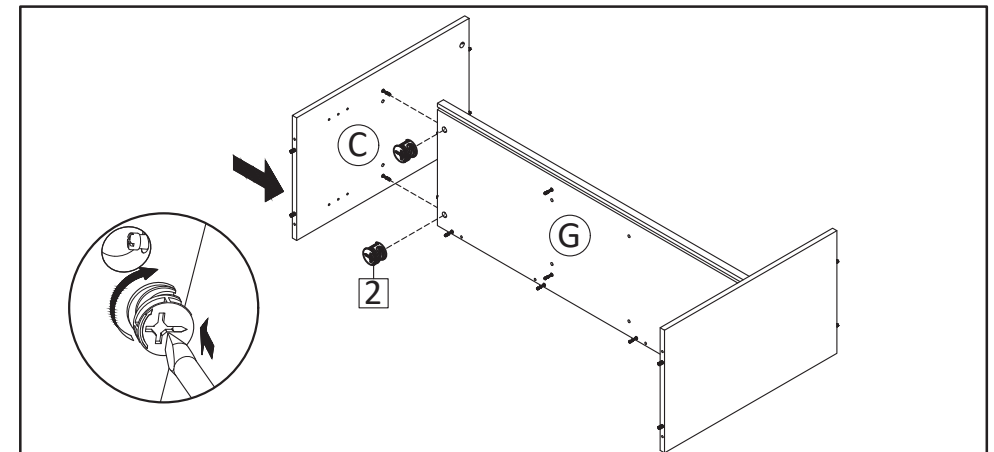
**STEP1:** Insert Cambolt (HW1) into Top Board (A) and Bottom Board (B). Insert Dowel Big (HW3) into Center Boards (E&F).



**STEP2:** Insert Cambolt (HW1) and Dowel Big (HW3) into Side Boards (C&D), Fixed Shelf (G). Insert Dowel Small (HW4) into Back Board Small (M) and Back Board Big (N).



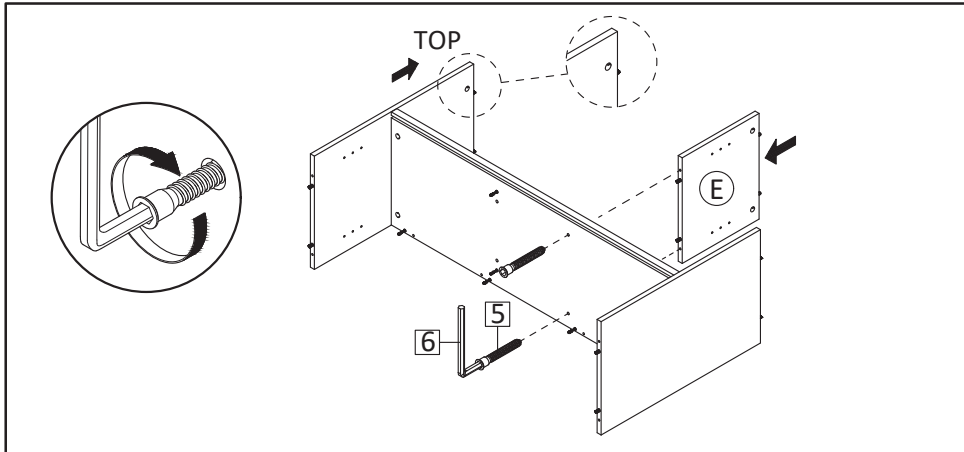
**STEP3:** Attach Side Board Right (D) into Fixed Shelf (G), Insert Camlock Big (HW2) and tighten it using screwdriver.



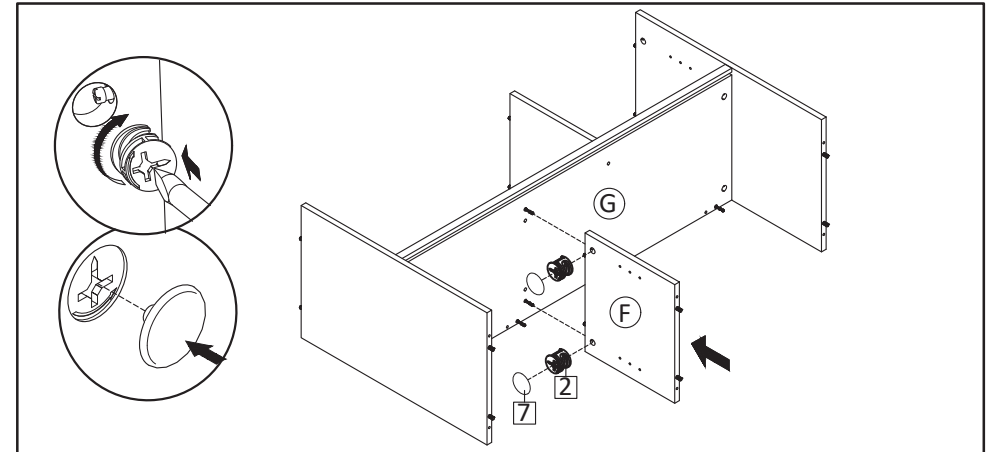
**STEP4:** Attach Side Board Left (C) into Fixed Shelf (G) and Side Board Right (D), Insert Camlock Big (HW2) and tighten it using screwdriver.

# PREPARATION

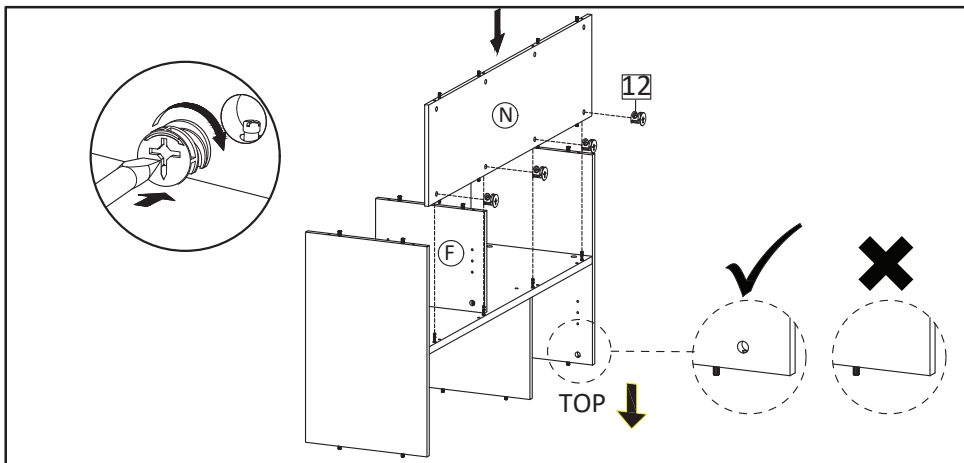
- \*Before beginning assembly of product, make sure all parts are present. Compare parts with part contents list and hardware contents list.
- \*If any part is missing or damaged, do not attempt to assemble the product.
- \*Estimated Assembly Time: 60 minutes.
- \*Tools Required for Assembly (included): Allen Key
- \*If you are having difficulty, our friendly Customer Care team is always here to help.



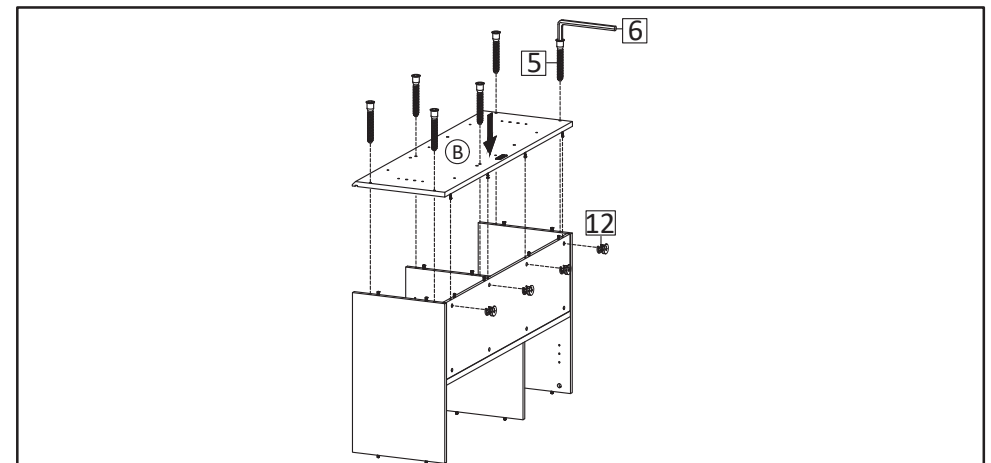
**STEP5:** Continue by attaching Center Board 1 (E) into the assembled components from step 4. Please note the top side as shown in the image. Secure with Screw M7x50mm (HW5) using Allen Key (HW6).



**STEP6:** Attach Center Board 2 (F) into the assembled components from step 5. Secure with Camlock Big (HW2) and tighten it using screwdriver. Put the Screw Cap(HW7) over the tightened camlock.



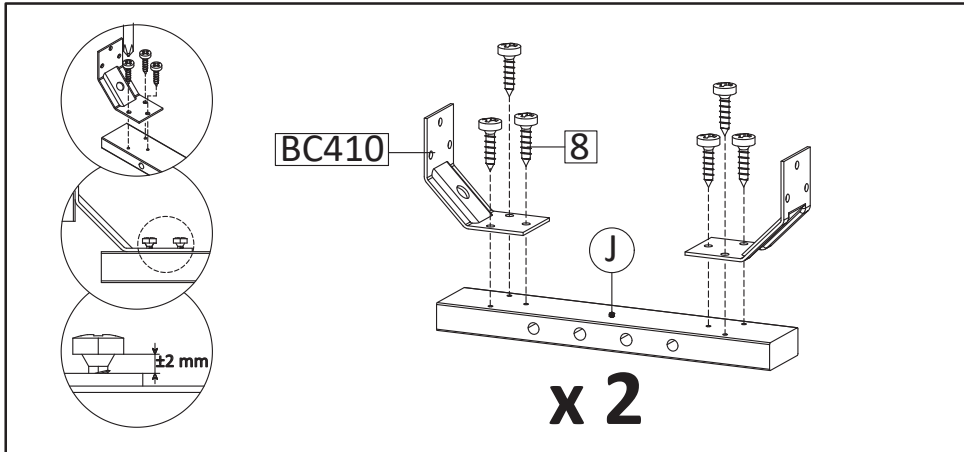
**STEP7:** Bring the product into position as per image with top part facing downward. Attach Back Board Big (N) into the assembled components from step 6. Secure with Camlock Small (HW12) and tighten it using screwdriver.



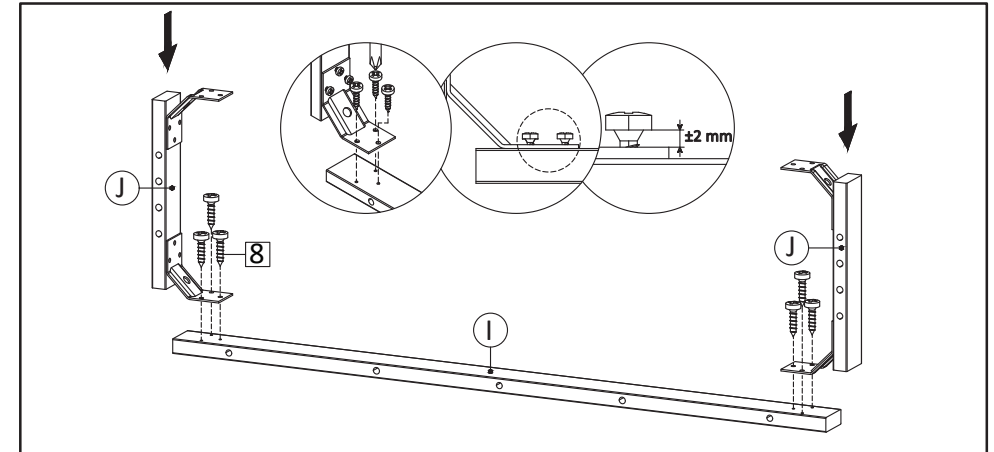
**STEP8:** Attach Bottom Board (B) secure with Screw M7x50mm (HW5) using Allen Key (HW6) and secure with Camlock Small (HW12) and tighten it using screwdriver.

# PREPARATION

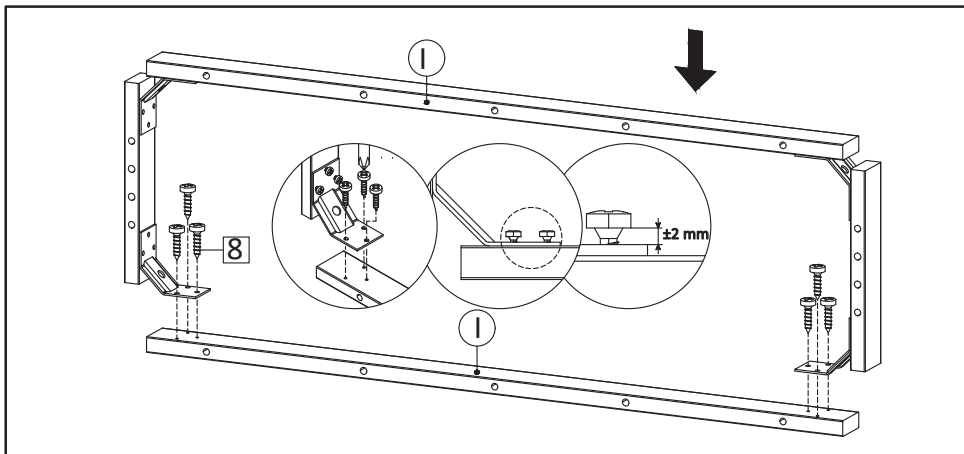
- \*Before beginning assembly of product, make sure all parts are present. Compare parts with part contents list and hardware contents list.
- \*If any part is missing or damaged, do not attempt to assemble the product.
- \*Estimated Assembly Time: 60 minutes.
- \*Tools Required for Assembly (included): Allen Key
- \*If you are having difficulty, our friendly Customer Care team is always here to help.



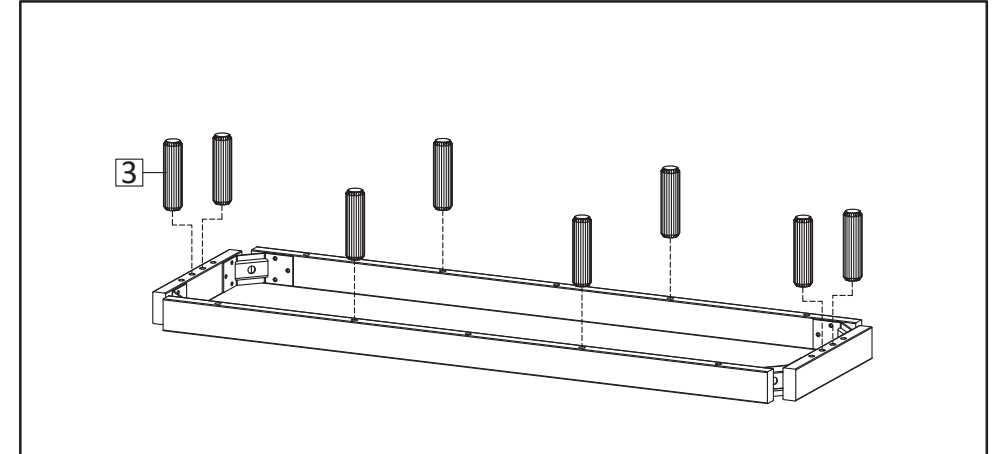
**STEP9:** Now let's combine the bottom skirt. Start with installing Corner Brace (HW BC410) into Bottom Skirt 2 (J) using Screw M4x16mm (HW8). Do not overtight screw yet, leave around 2mm gap.



**STEP10:** Combine the Bottom Skirt 2 from step 9 with Bottom skirt 1 (I), using Screw M4x16mm (HW8). Do not overtight screw yet, leave around 2mm gap.



**STEP11:** Combine components from step 10 with remaining Bottom skirt 1 (I), using Screw M4x16mm (HW8). Do not overtight screw yet, leave around 2mm gap.



**STEP12:** Insert Dowel Big (HW3) into assembled Bottom skirt from previous step.

# PREPARATION

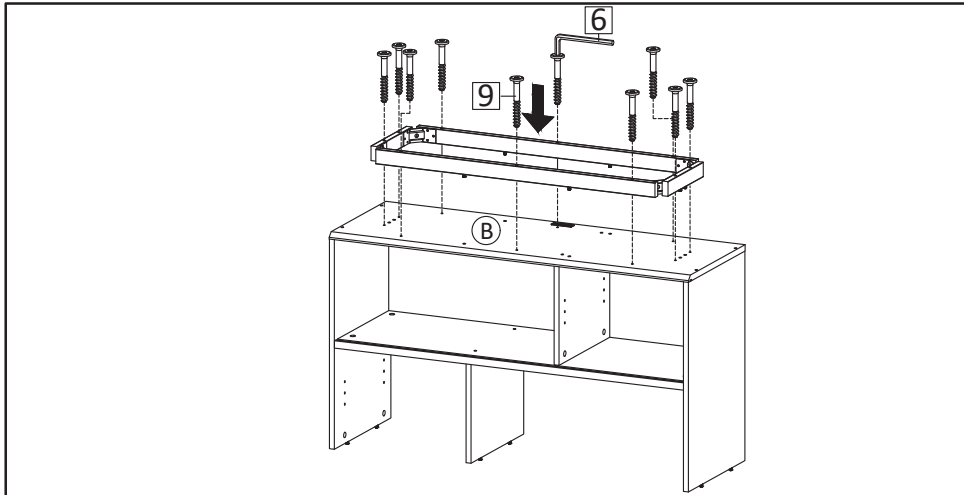
\*Before beginning assembly of product, make sure all parts are present. Compare parts with part contents list and hardware contents list.

\*If any part is missing or damaged, do not attempt to assemble the product.

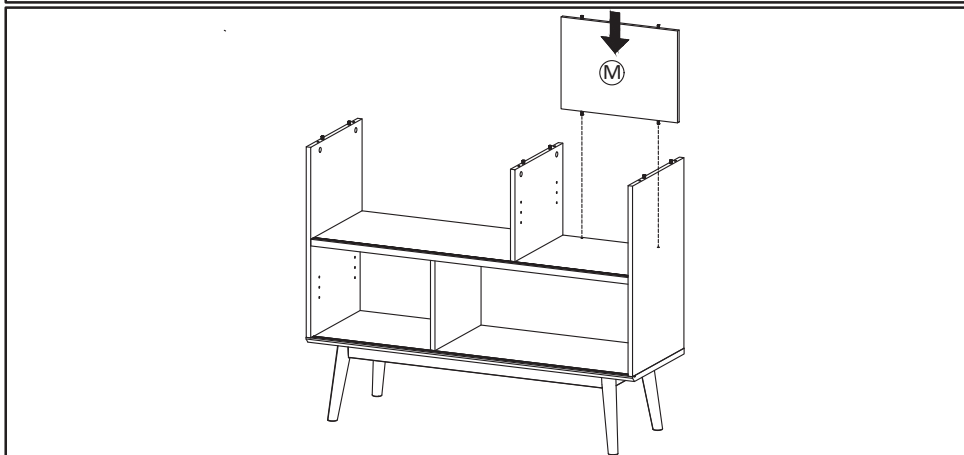
\*Estimated Assembly Time: 60 minutes.

\*Tools Required for Assembly (included): Allen Key

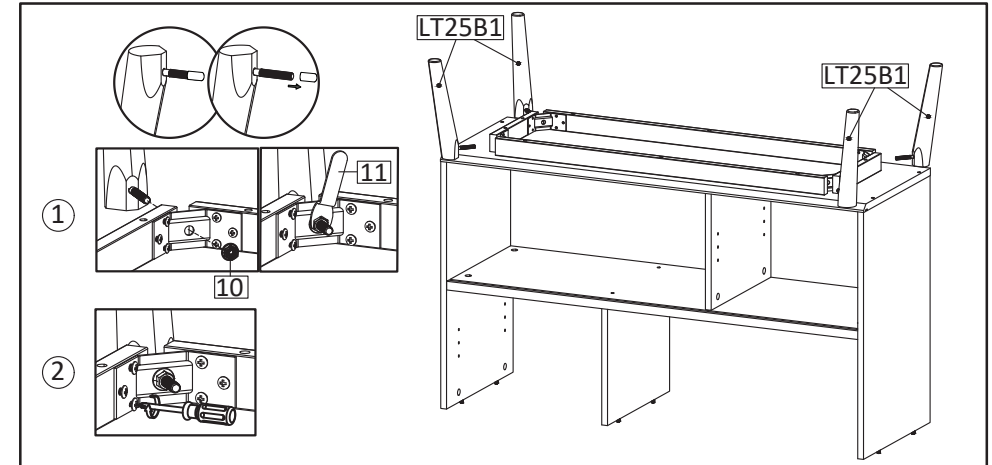
\*If you are having difficulty, our friendly Customer Care team is always here to help.



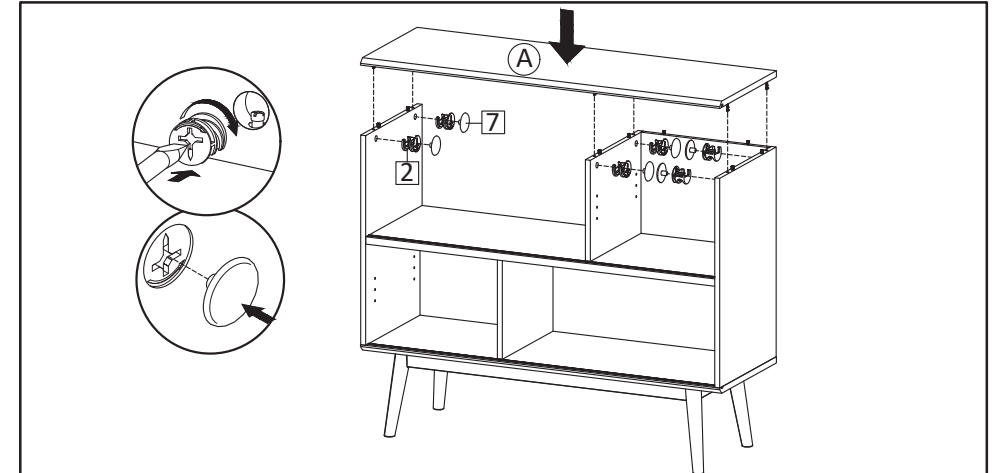
**STEP13:** Insert Screw M6.4x53mm (HW9) using Allen Key (HW6) into assembled bottom skirt and bottom board.



**STEP15:** Bring the cabinet upright. Attach Back Board Small (M) into the assembled components from step 14.



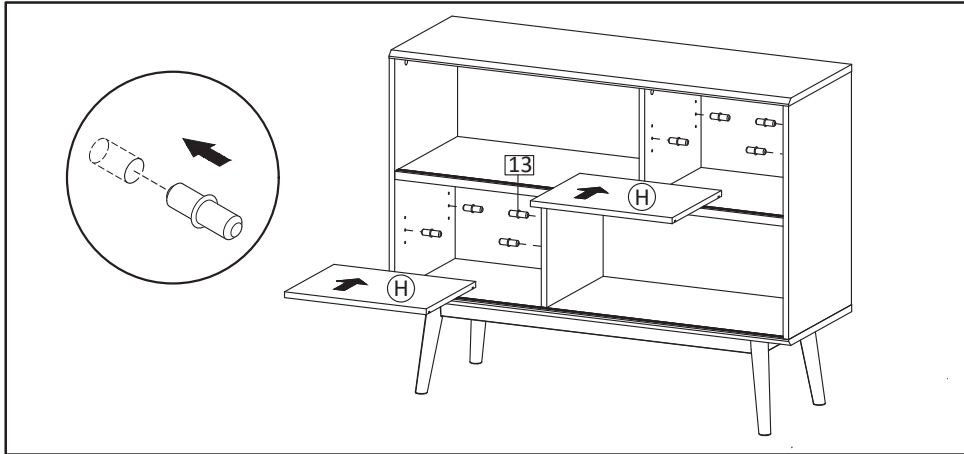
**STEP14:** First, let's fix the leg by inserting leg to Corner Brace, Insert Flange Nut (HW10) into the hanger bolt of leg, tighten all the Flange nut using provided Wrench (HW11). Second, after Ensuring that all legs has been tightened, continue with tighten all screws on the corner brace.



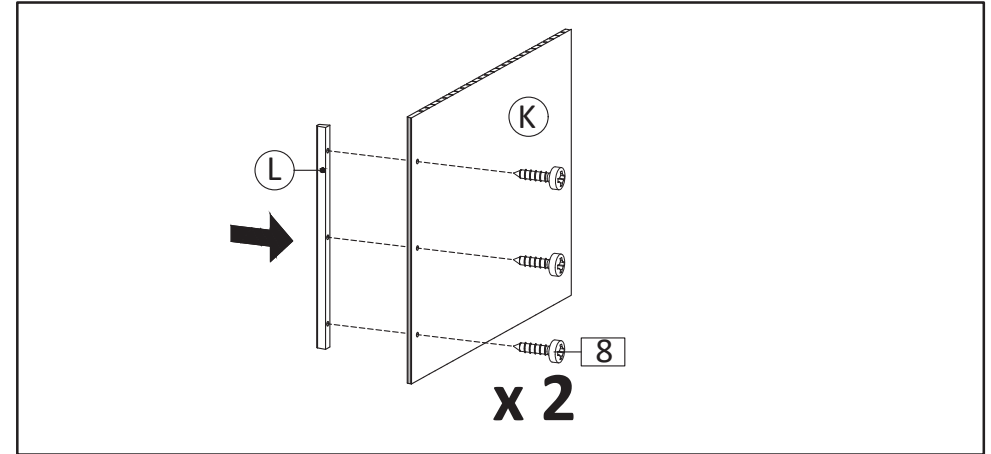
**STEP16:** Bring the Top Board (A), into assembled component. Secure with Camlock Big (HW2) and tighten it using screwdriver. Put the Screw Cap (HW7) over the tightened camlock.

# PREPARATION

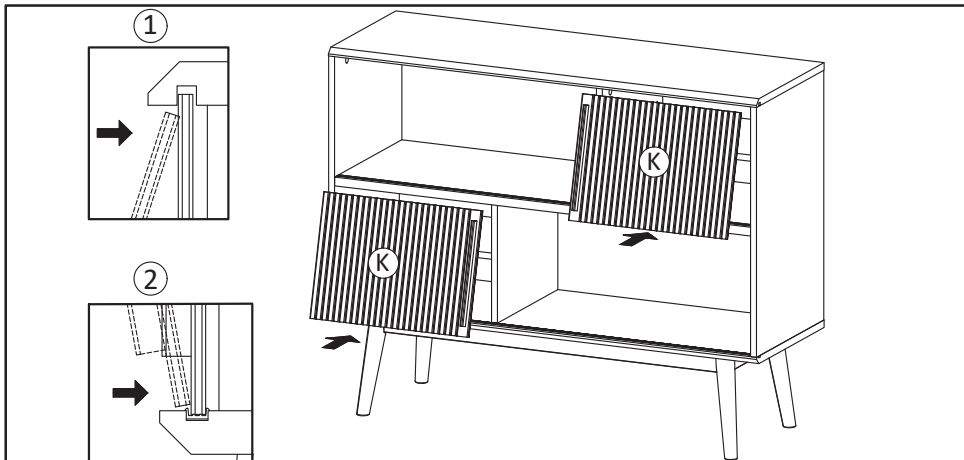
- \*Before beginning assembly of product, make sure all parts are present. Compare parts with part contents list and hardware contents list.
- \*If any part is missing or damaged, do not attempt to assemble the product.
- \*Estimated Assembly Time: 60 minutes.
- \*Tools Required for Assembly (included): Allen Key
- \*If you are having difficulty, our friendly Customer Care team is always here to help.



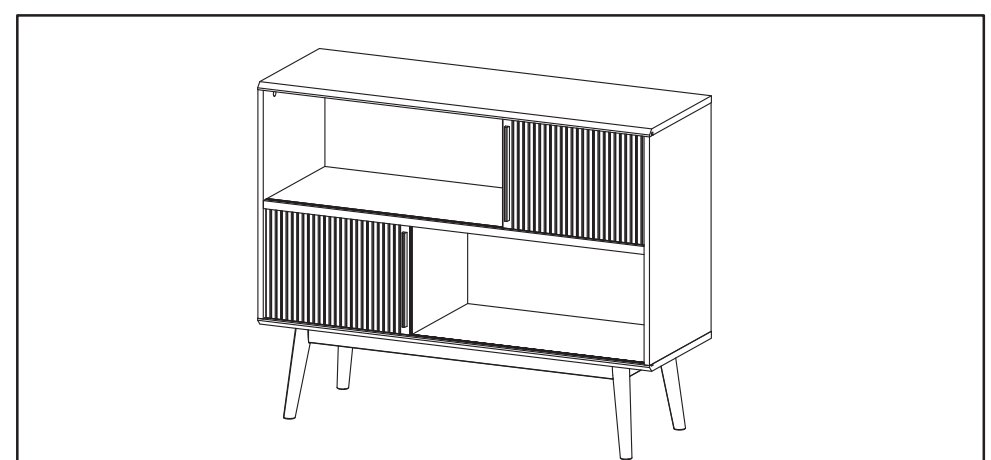
**STEP17:** Insert Shelf Pin (HW13) into the holes on Sideboard & Centerboard, on the desired level. Then place the Adjustable Shelf (H) by inserting the grooved line on the shelf into the shelf support.



**STEP18:** Attach handle (L) into holes on Doors (K), secure with Screw M4x16mm (HW8) position as shown in the figure.



**Step19:** Insert the Door (K) into the upper groove line, then into lower groove line. Position the top and bottom parts of the door with the grooves of the top and bottom of the body. Follow the downward and upward directions position as shown in the figure.



**STEP20:** Assembly is complete.

