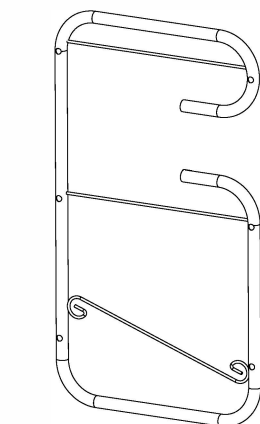


Installation Instruction of 3-Tier Dish Drying Rack

[We highly appreciate your selecting 3-Tier Dish Drying Rack. For safety purposes, please read these instructions step by step. It will help avoid unnecessary damages when assembling. If there's something difficult to solve, please feel free to contact our customer services, we are very pleased to serve you!]

Accessories



A×2



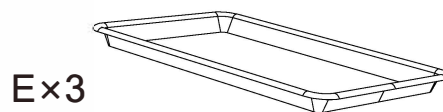
B×1



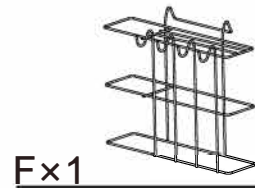
C×1



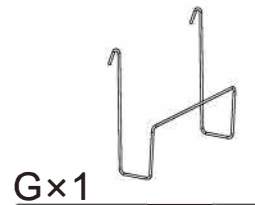
D×1



E×3



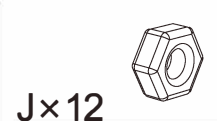
F×1



G×1



H×1



J×12



K×12



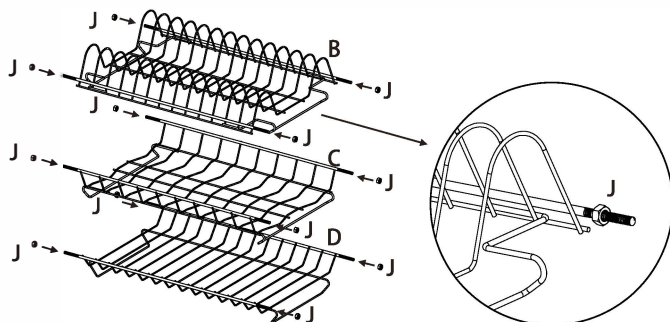
L×4



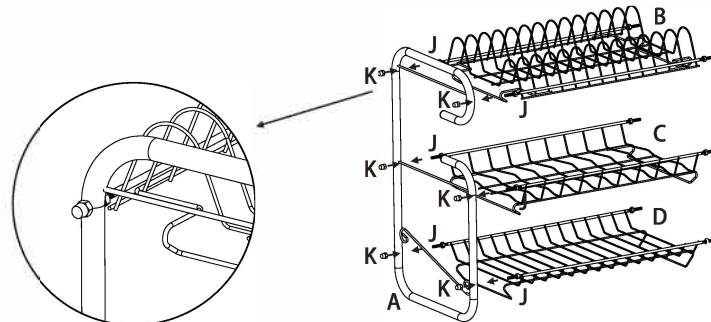
M×4

Installation steps:

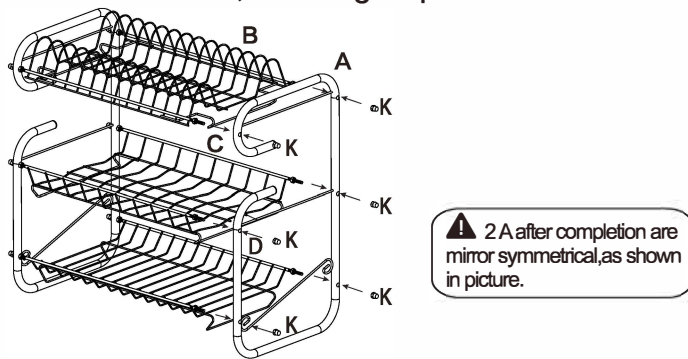
- Put 12 pieces J into the designated position of B, C and D.



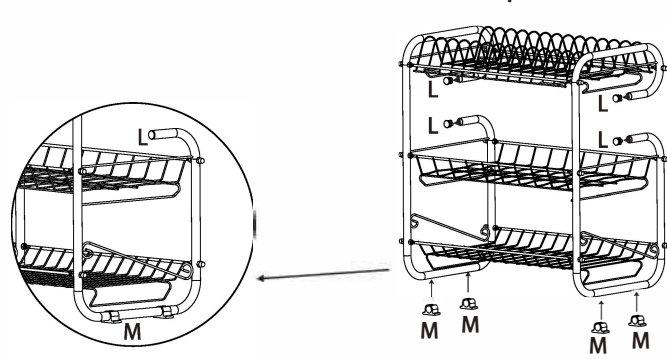
- Install B, C and D into A and embed 6 K into A, B, C. Screw J and K to fix A as shown in picture.



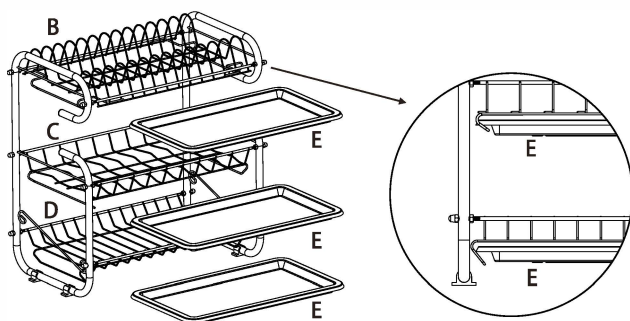
- Install another A, following step 2.



- Install 4 M and 4 L as shown in picture.



- Push 3 E in each slots.



- Installation is completed after hanging F and G on the two side.

