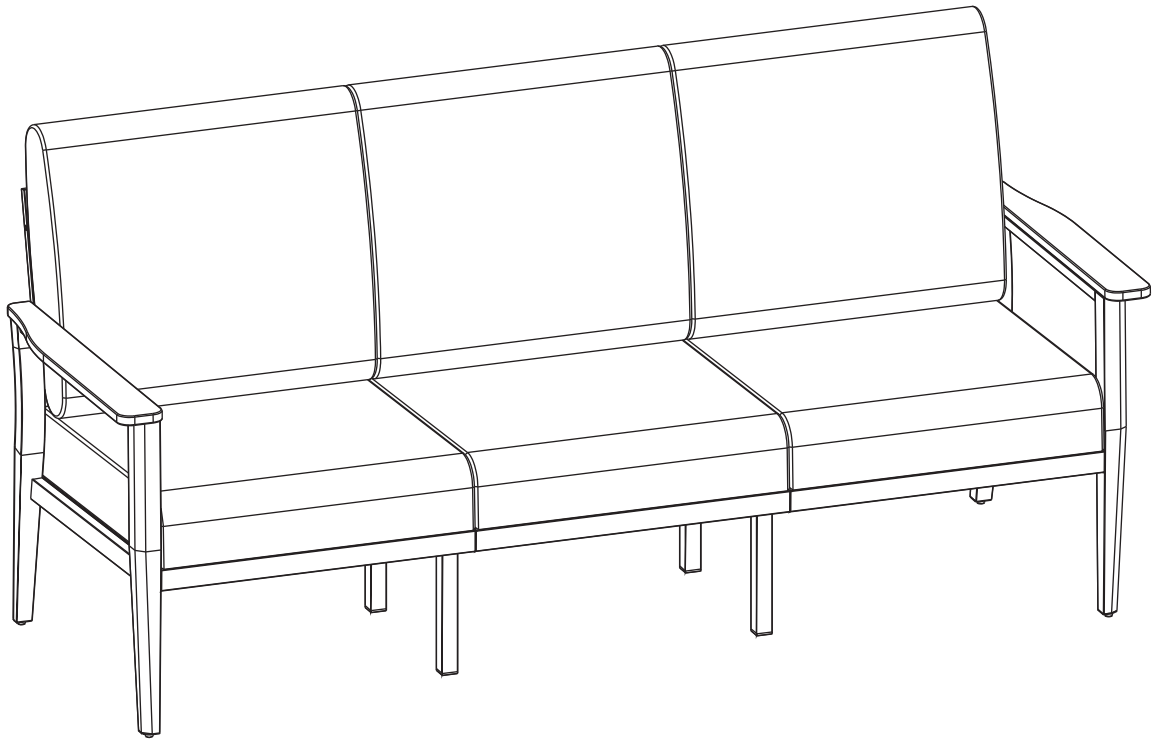




# Outdoor Couch Seat Sofa

## Assembly & Care instructions



**SKU: S02-2603SF**

Please read & retain for future reference

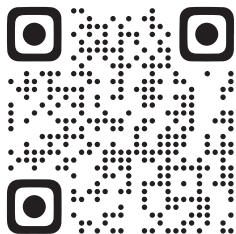


# CONTENTS

Important.....	3
Packing List.....	4
Screw Set List.....	5
Sofa Installation Instructions.....	6
Specifications.....	11

# CONTACT US

If you have any questions or concerns regarding our product, please don't hesitate to contact our customer service team at [service@outsofas.com]. We are committed to providing excellent service and ensuring your satisfaction.



Scan The Qr Code And Click The  Chat Button To Contact us.

Web:www.outsofas.com

E-mail:service@outsofas.com



# WARNINGS

**Not for Children**

This sofa set is intended for adult use only. Avoid allowing children to play or climb on the furniture to reduce the risk of injury.

**No Standing on Furniture**

The furniture is designed for sitting only. Do not stand, jump, or place excessive weight on the armrests or backrests.

**Avoid Modifications**

Do not modify or attempt to repair the sofa set. Contact customer service for any necessary repairs or replacement parts.

## Important Safety Information

**Choking Hazard:** Keep packaging materials, small parts, and screws away from children. This product contains parts that could be harmful if swallowed.

**Adult Supervision:** Always supervise children around the furniture, especially when playing or climbing.

**Stable Surface:** For safety and stability, ensure the sofa set is placed on a level, stable surface. Avoid placing it on uneven or slippery ground.

**Weight Limit:** Please do not exceed the recommended weight capacity for each seating unit and coffee table to prevent damage. Refer to the product's weight specifications for more details.

**Cushion Safety:** Ensure that cushions and pillows are securely in place before using the furniture. Avoid using the product if any cushions are damaged or misplaced.

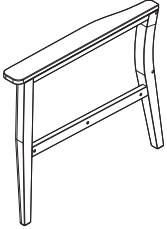
**Protect from Weather:** Although the rattan material is designed for outdoor use, we recommend covering the sofa set or moving it to a sheltered area during heavy rain, snow, or extreme sunlight exposure to protect the cushions and prolong the life of the set.

**Proper Assembly:** Always ensure that all components are properly assembled and that all screws and bolts are tightened securely before use. Check for loose screws periodically.



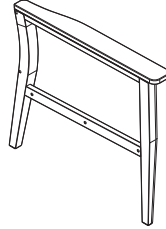
# Parts List

A × 1



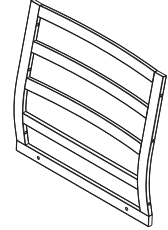
Right Armrest Part

B × 1



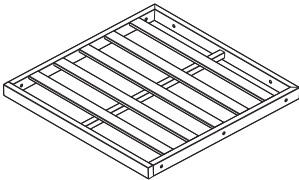
Left Armrest Part

C × 3



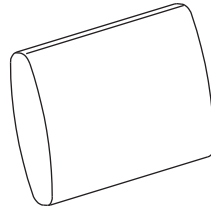
Back Plate Part

D × 3



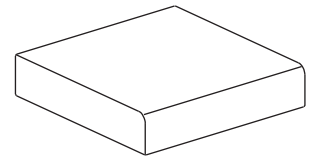
Seat Plate Part

E × 3



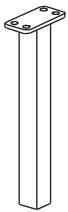
Back Cushion

F × 3



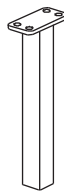
Seat Cushion

G × 2



Long Support Leg

H × 2



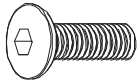
Short Support Leg

**WARNING:** Failure to locate parts in accordance with these diagrams, or failure to use special parts provided with this equipment, may result in property damage or personal injury.



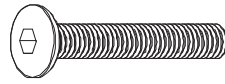
# Screw Set

AA × 17



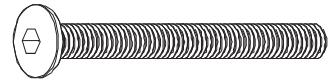
Bolt M6 × 15

BB × 13



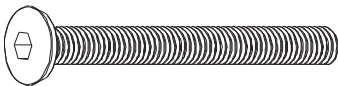
Bolt M6 × 35

CC × 7



Bolt M6 × 50

DD × 5



Bolt M6 × 55

EE × 7



Bolt M6 × 90

FF × 46



Washer M6

GG × 14



Nut M8

HH × 46



Bolt Cap M6

II × 12



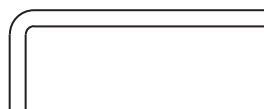
M6

JJ × 5



Nut M6

KK × 1



Bolt Cap M6/M8

LL × 1

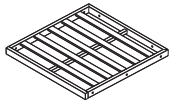
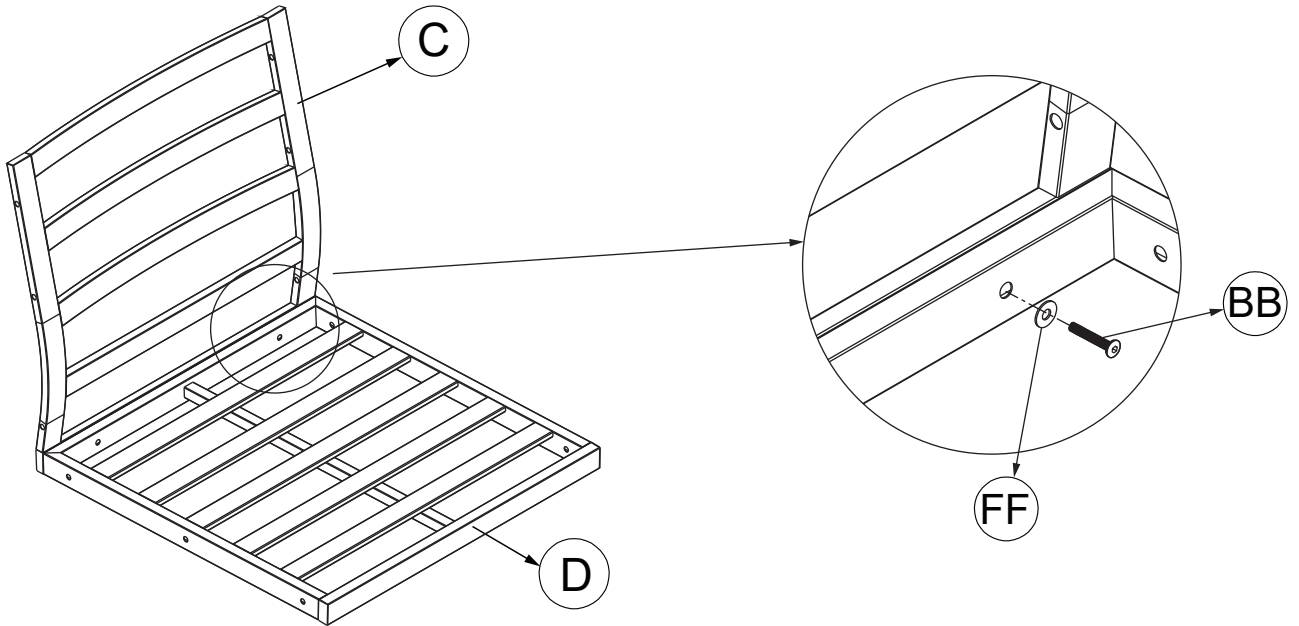


M8



**Step 1:** As shown in the figure, first place the seat plate (D) and back plate (C) according to the position indicated in the diagram, and align the holes. Then insert the bolts (BB) through the washers (FF) and screw them into the holes.

**Note:** Only hand-tighten the bolts at this stage; do not use tools to fully tighten them.



D x 3



C x 3



M6x35

BB x 6

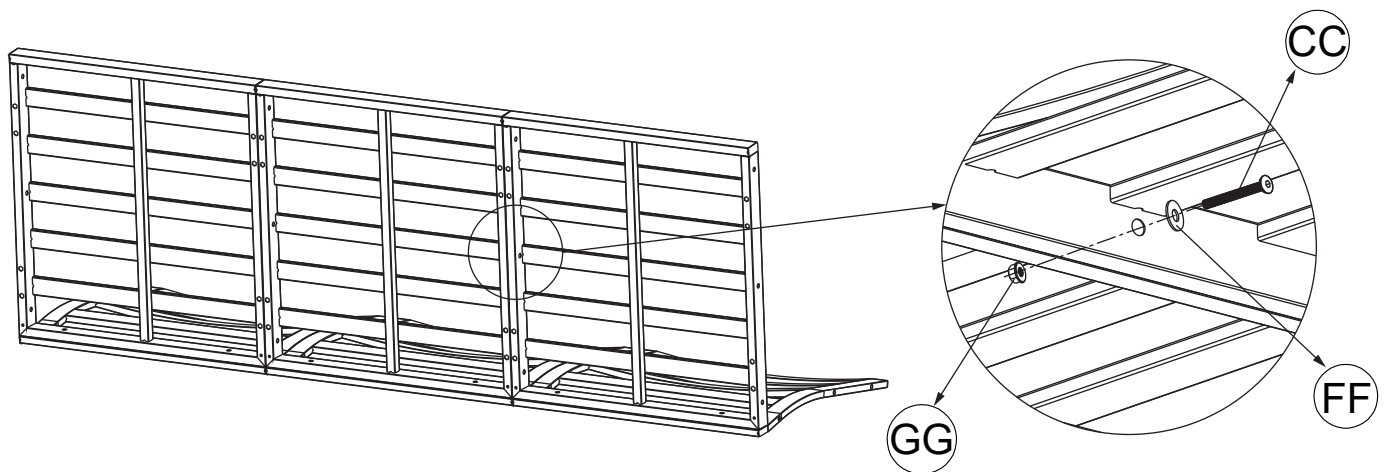


M6

FF x 6

**Step 2:** As shown in the figure, connect the two seat plates. After aligning and placing them, line up with the holes on the lower side of the seat plates. Put the bolts (CC) through the washers (FF) and insert them into the holes, then screw the nuts (GG) onto the other end.

**Note:** Only hand-tighten the nuts for one to two full turns; do not fully tighten the bolts.



M6x50

CC x 6



M6

FF x 6



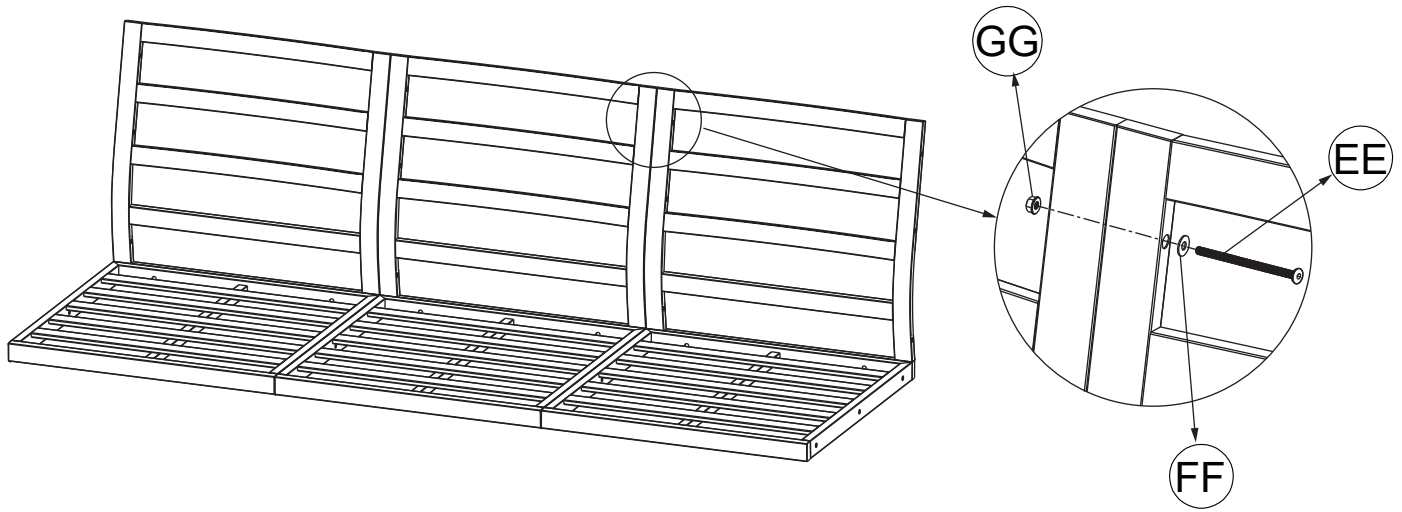
M6

GG x 6



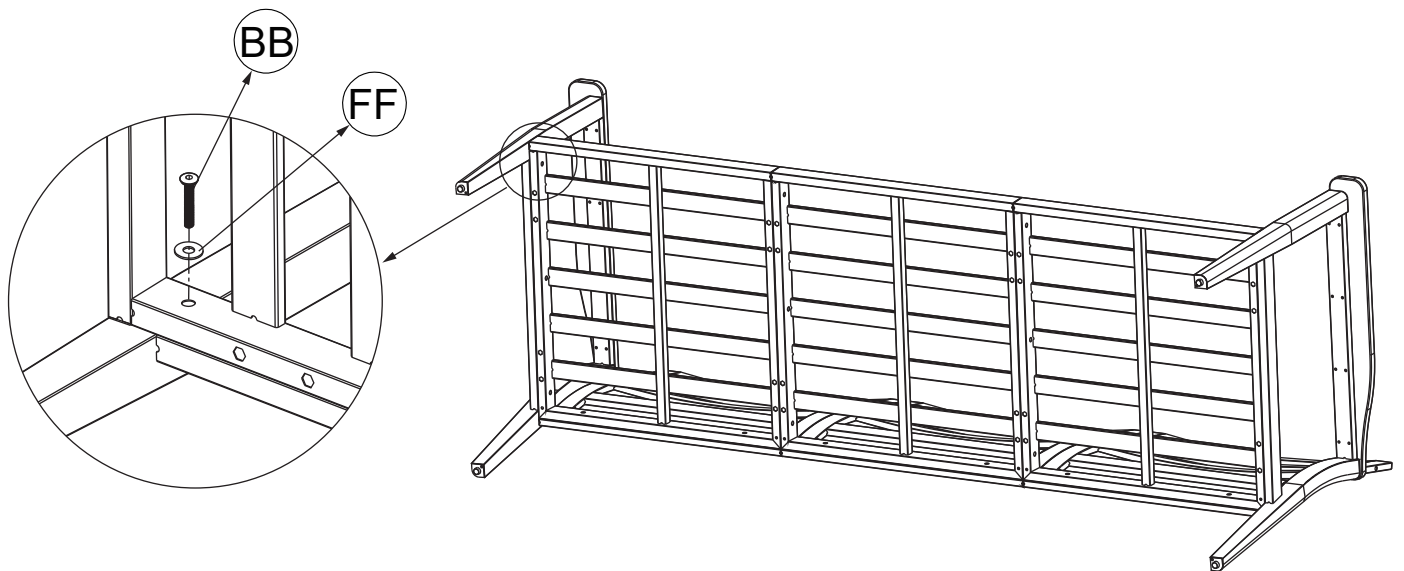
**Step 3:** First, put the bolts (EE) through the washers (FF), insert them into the aligned holes of the backrest, and then secure them with the nuts (GG).

**Note:** Only hand-tighten the nuts for one full turn; do not fully tighten the bolts.



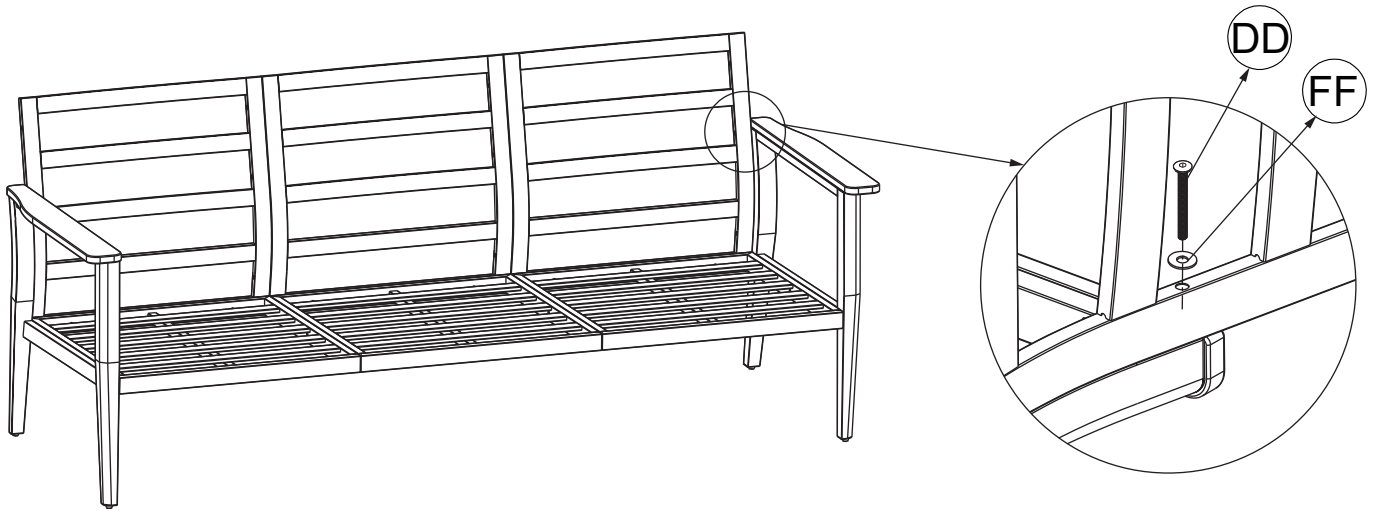
**Step 4:** As shown in the figure, align the assembled seat plate and back plate with the holes on the right armrest (A). Put the bolts (BB) through the washers (FF) and screw them into the three aligned holes on the lower side of the seat plate. Then put the bolts (DD) through the washers (FF) and screw them into the holes where the armrest and back plate meet.

**Note:** Do not fully tighten the bolts.





**Step 5:** Follow the same method and steps to install the left armrest (B) on the other side.



M6x55

DD x 4

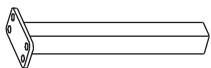
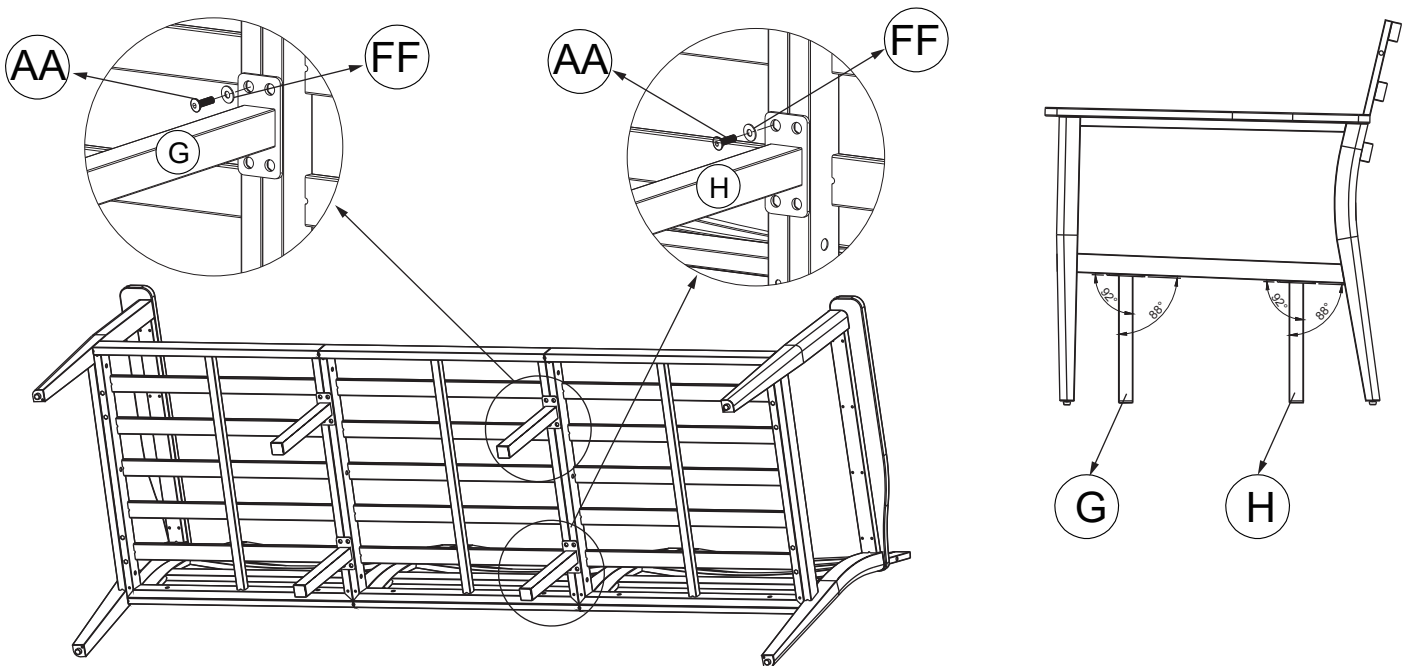


M6

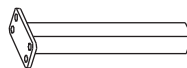
FF x 4

**Step 6:** As shown in the figure, align the long center leg (E) and short center leg (F) with the middle holes of the two seat plates in sequence. Put the bolts (AA) through the washers (FF) and screw them into the holes.

**Note:** At this stage, fully tighten all bolts with tools.



G x 2



H x 2



M6x15

AA x 16

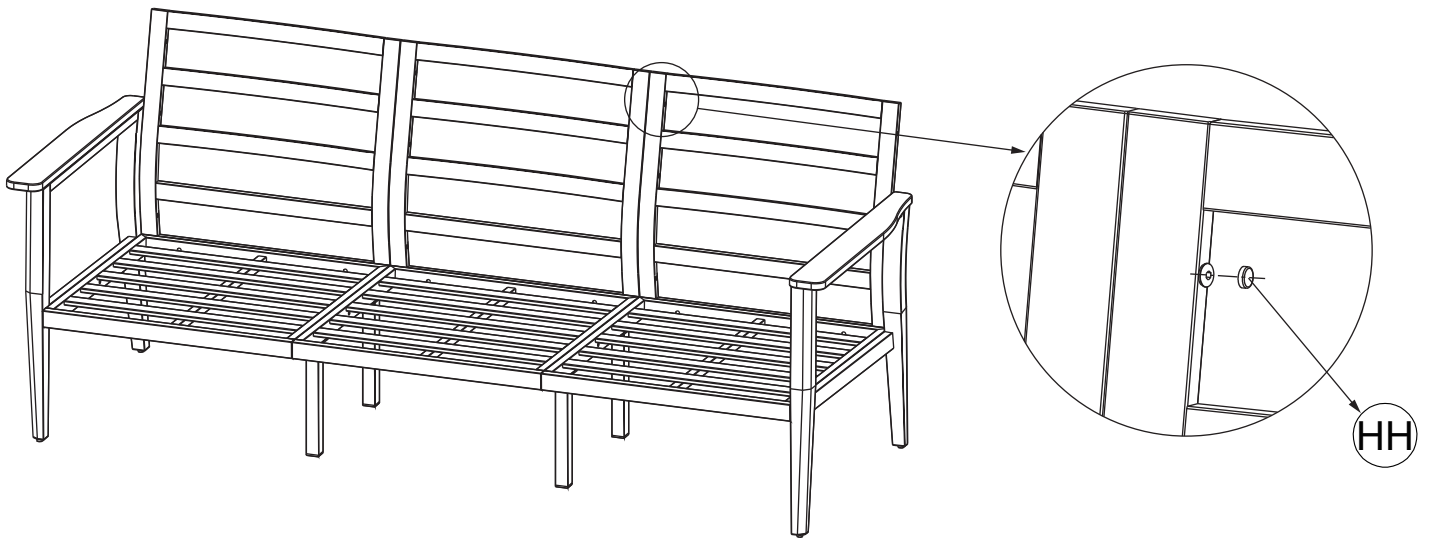


M6

FF x 16

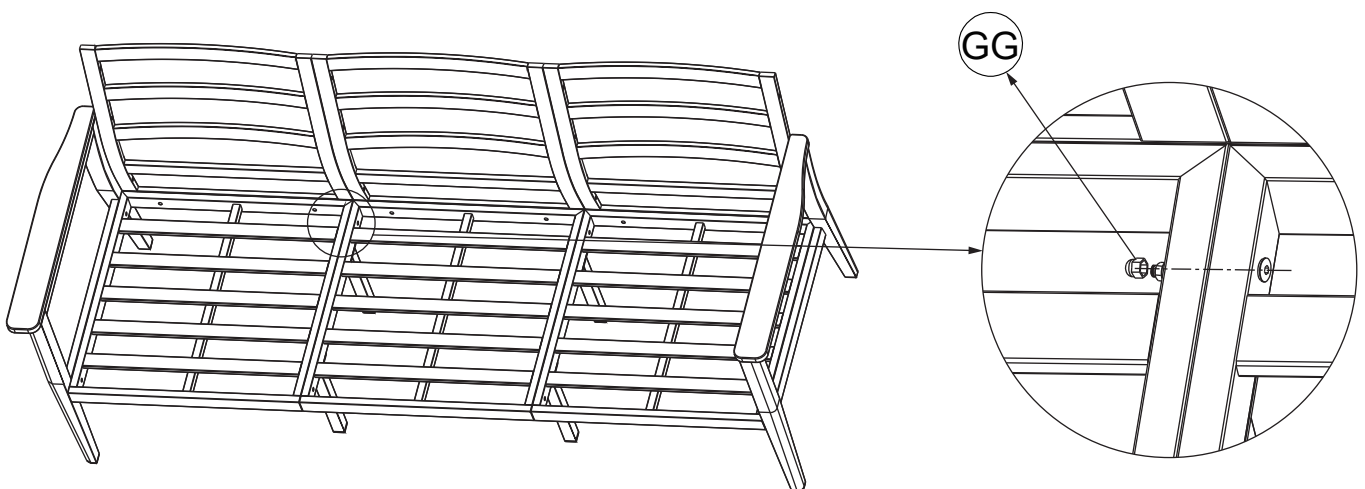


**Step 7:** Snap the bolt caps (HH) tightly onto all bolt heads.



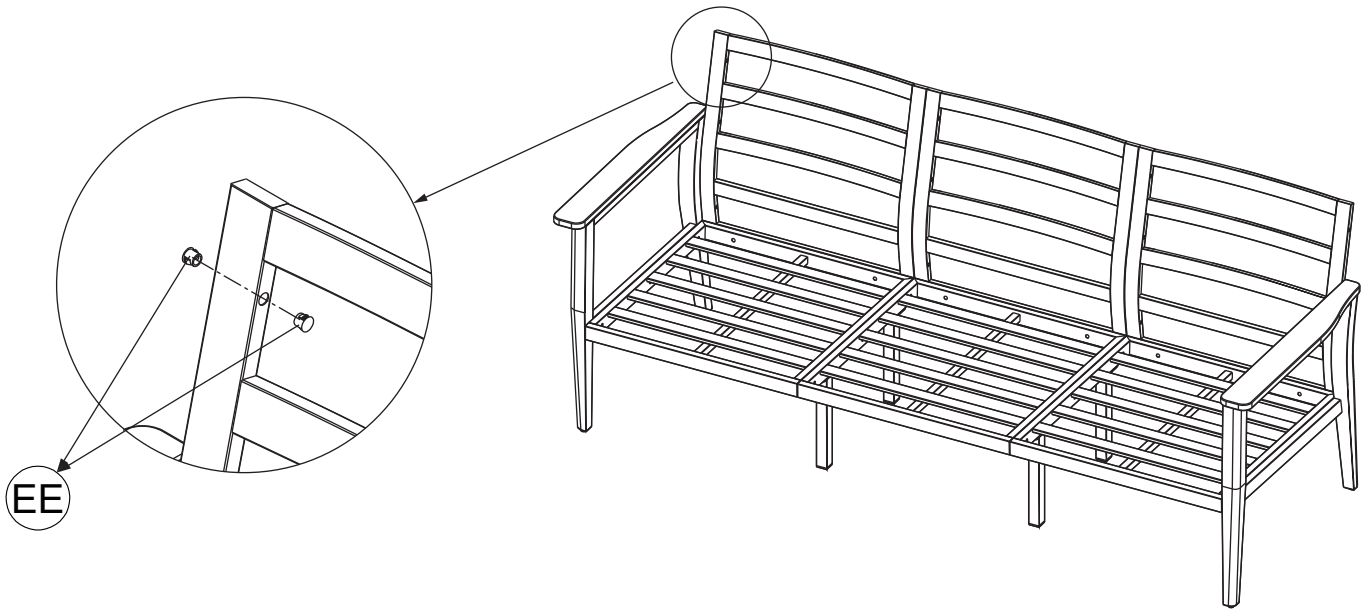
HH x 42

**Step 8:** Slide the nut caps (II) onto all nuts.



II x 12

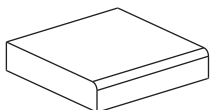
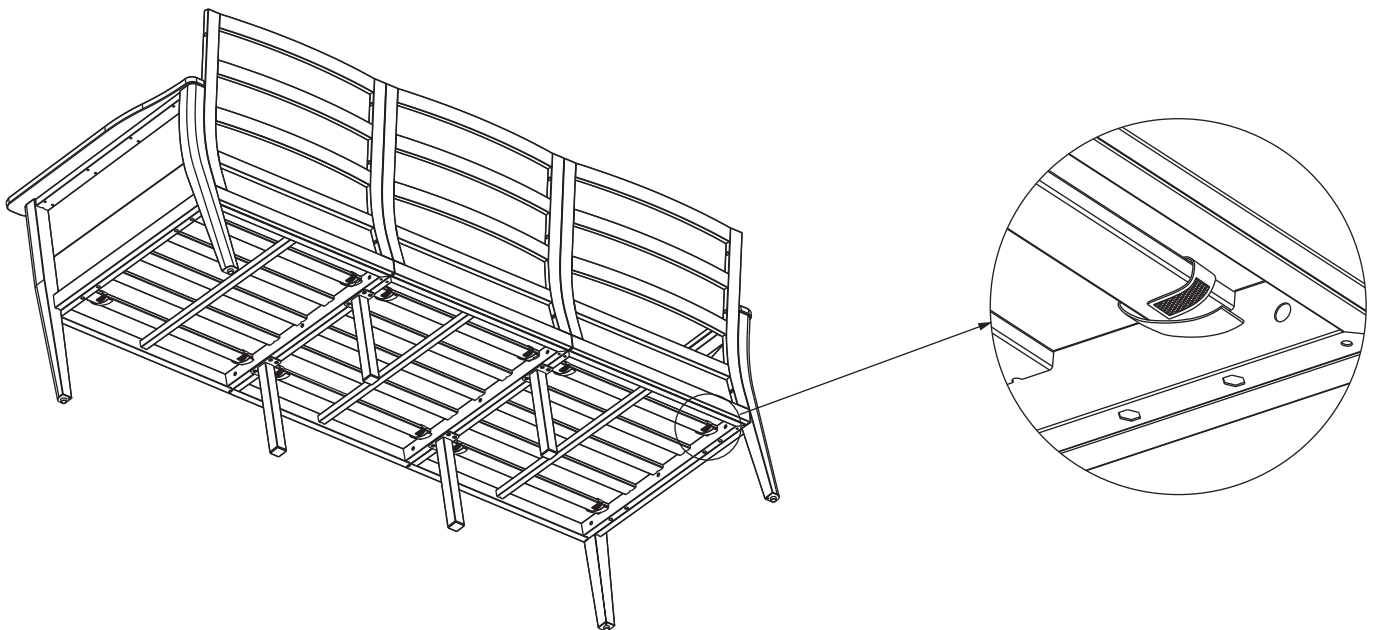
**Step 9:** Insert the hole caps (EE) into the holes on both sides of the top of the sofa seat's back plate.



EE x 4

**Step 10:** Place the cushion(F) on the seat panel, and fasten the hook-and-loop straps underneath to the seat slats.

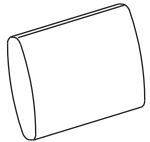
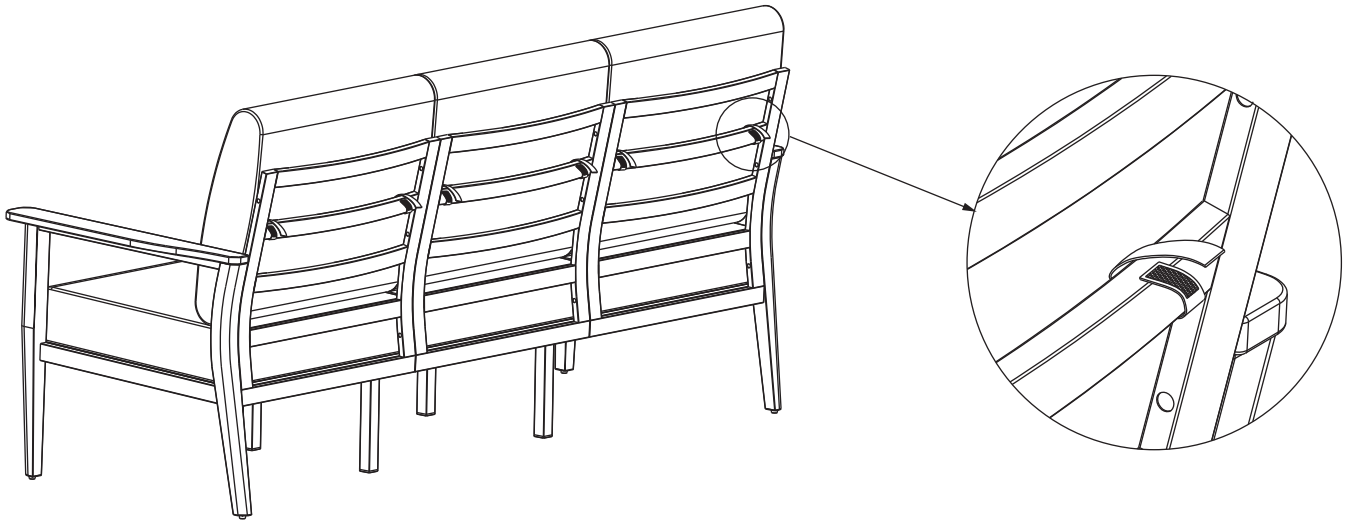
**Note:** When installing, ensure the beveled edge faces forward.



F x 3

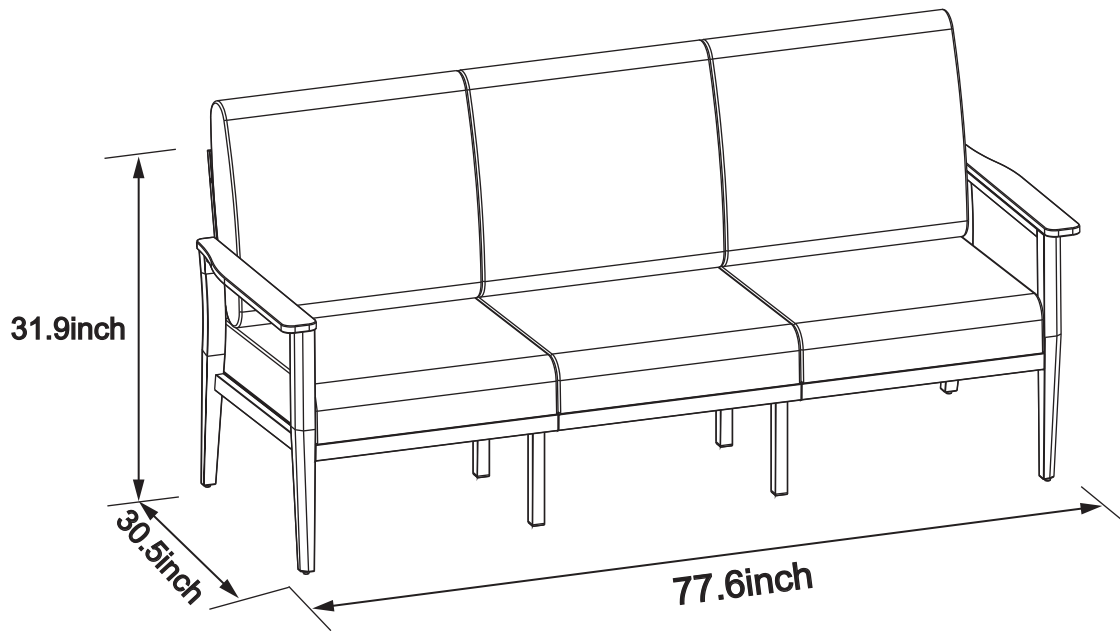
**Step 11:** Place the back cushion(E) on the back panel and wrap the hook-and-loop straps around the back panel slats.

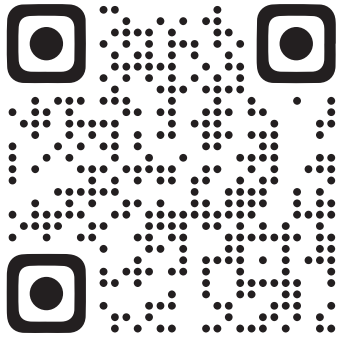
**Note:** Ensure the side of the back cushion with the zipper faces downward.



E x 3

## SPECIFICATIONS





Scan the QR code to  
learn more about our product.