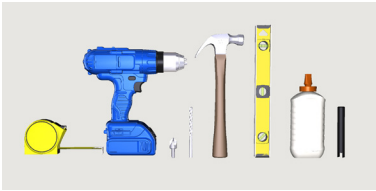


# PRE-ASSEMBLED MURPHY DOOR KIT INSTALLATION

JAMB	SHELVES	CASING	BOOKCASE
 <p>Jamb Side</p>  <p>Jamb Side</p>  <p>Jamb Top</p>  <p>Jamb Bottom (Threshold)</p>	 <p>Adjustable Shelf</p>  <p>Adjustable Shelf</p>  <p>Adjustable Shelf</p>	 <p>Casing Top</p>  <p>Casing Side</p> <p>Casing Side</p>	
			
			

## PLEASE READ INSTRUCTIONS FULLY BEFORE YOU BEGIN ASSEMBLY



To assemble the door you will need:

- Tape Measure
- Carpenters Square
- 2' and 6' Level
- Drill
- Countersink Bit
- Phillips Head Bit
- 1/8" Drill Bit
- Adjustable Wrench
- Hammer/Brad Nailer
- Finish Nails
- Wood Glue



(8) 7x50mm  
Confirmat Screws



(8) 3" Jamb Screws



Upper Jamb Hinge



Bottom Jamb Hinge



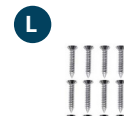
Top Hinge Plate



Bottom Pivot Hinge



(24) Flat Head Phillips  
Sharp Point 1" Screws



(8) Flat Head Phillips  
Sharp Point 3/4" Screws



Friction Door Catch



Hinge Pin w/Ball Lock



Poly Wedge



(12) Shelf Pins

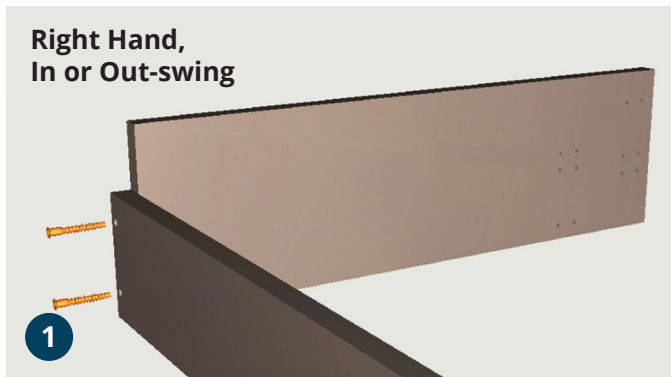


Hinge Pin Removal Tool



(18) 1-1/4" Truss Head Screws

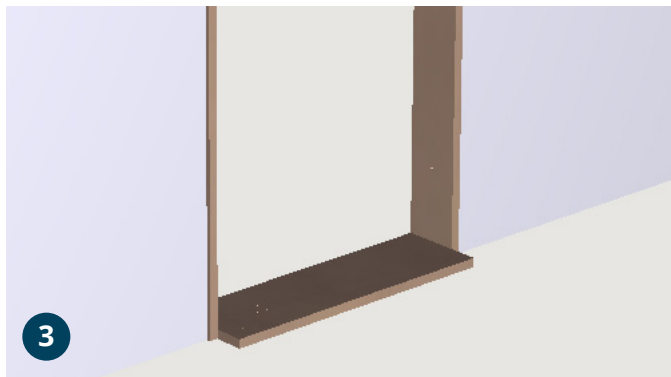
## PLEASE READ INSTRUCTIONS FULLY BEFORE YOU BEGIN ASSEMBLY



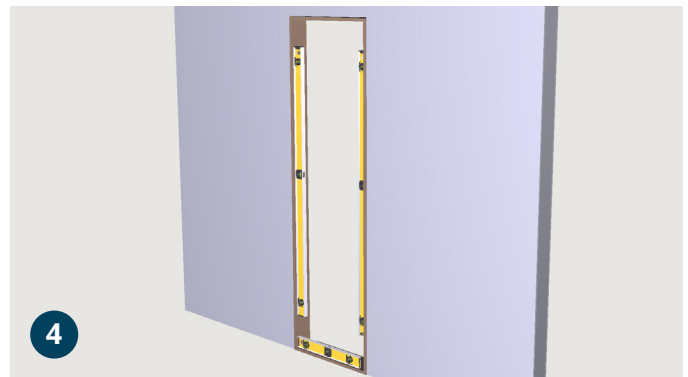
Align the jamb bottom threshold and 1 jamb side on a flat surface. The pre drilled hinge holes on the jamb bottom threshold will be on the right for a right hand in or out-swing, on the left for a left hand in or out-swing. After ensuring the corner is square; install (2) 7 x 50mm confirmat screws (E).



Secure and square remaining corners of the door jamb using (6) 7 x 50mm confirmat screws (E).

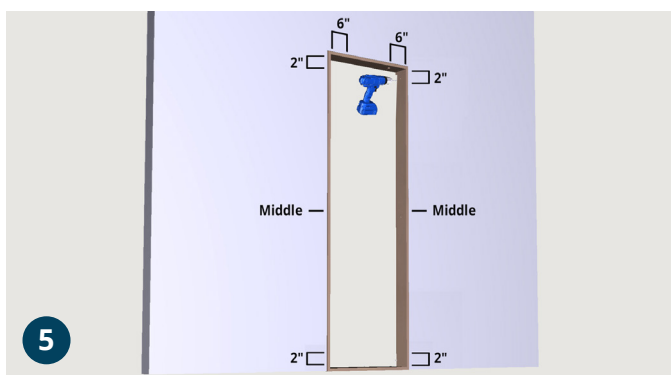


Place the door jamb into the rough opening. The bottom jamb threshold should extend into the room toward the back of the bookcase.



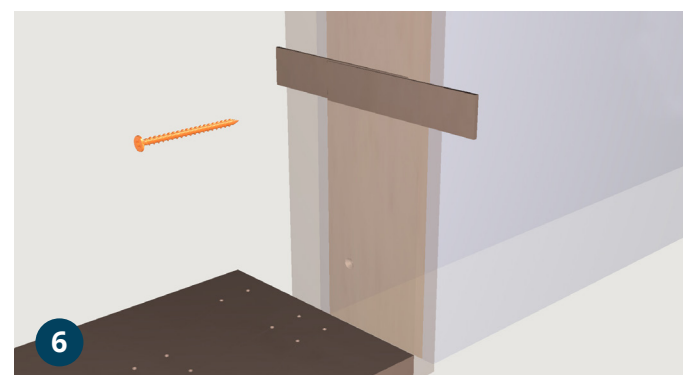
It is critical that the bottom threshold and jamb sides are level. If the door jamb is not level and plumb the door will not swing and close properly.

**Note:** The bottom threshold **SHOULD NOT** be installed over carpeting. Carpet will affect levelling and prevents proper function of the door.



Using a 1/8" drill bit pre-drill and countersink three holes into each side of the door jamb 2" from the top of the jamb, 2" from the bottom of the jamb, and in the middle.

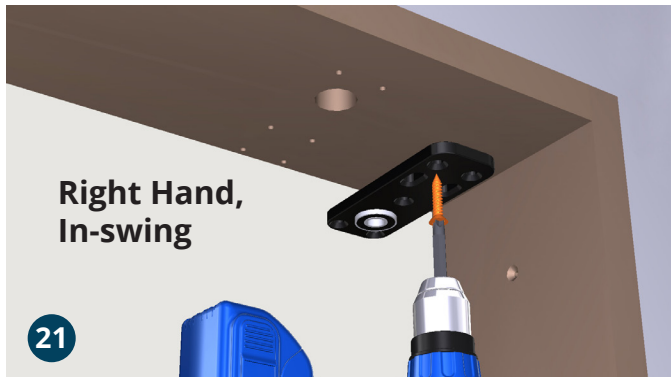
Next pre-drill and countersink two holes into the jamb top 6" from the right and left sides of the jamb.



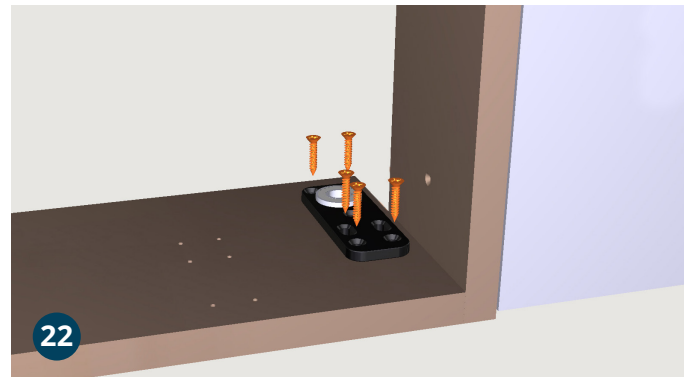
Using shims where needed, install (8) 3" jamb screws (F) making certain the top and sides of jamb are level.

**Note:** The screws included are meant for a wood frame. If installing the jamb into a steel frame, replace the screws with (8) 3" self-tapping screws.

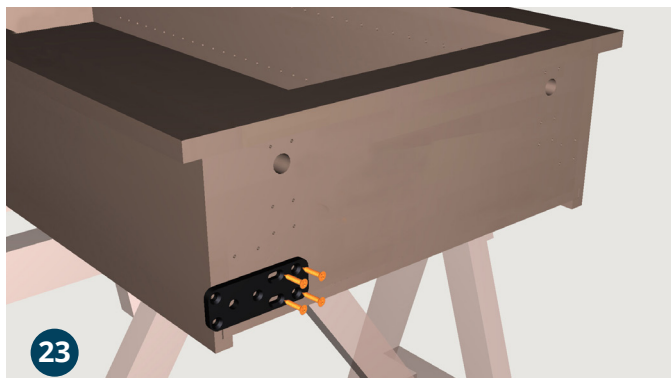
## PLEASE READ INSTRUCTIONS FULLY BEFORE YOU BEGIN ASSEMBLY



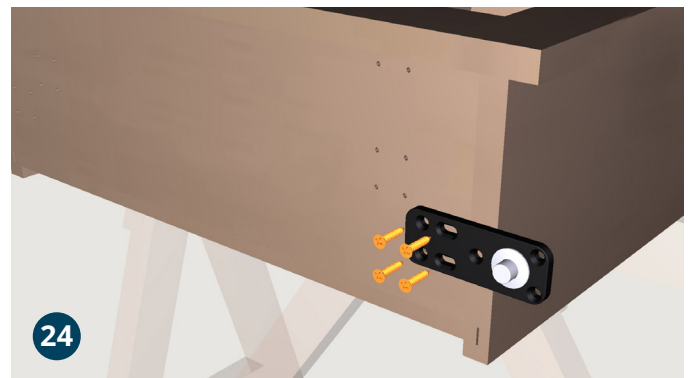
To install a right hand, in-swing door attach the upper jamb hinge (G) to the jamb top using (4) flat head Phillips sharp point 1" screws (K), lining up the hinge as shown. For a left hand door use the same pre-drilled hole on the opposite side for all hinge placement.



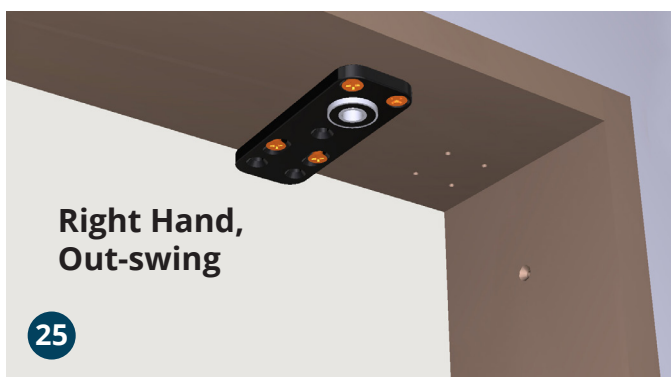
Install the bottom jamb hinge (H) to the jamb threshold using (5) flat head Phillips sharp point 1" screws (K), lining up the hinge as shown.



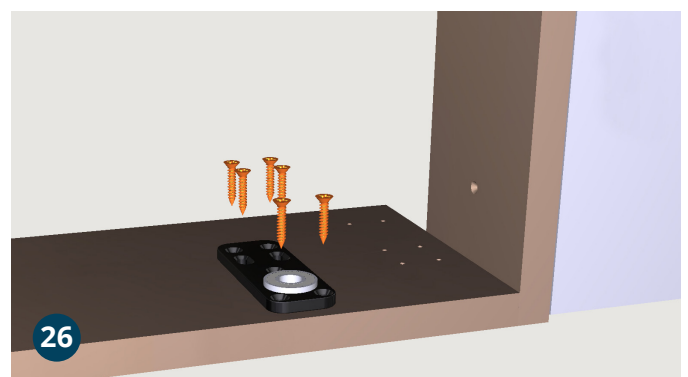
Attach the top hinge plate (I) to the top bookcase assembly using (4) flat head Phillips sharp point 1" screws (K).



Match the bottom pivot hinge (J) to the pre-drilled holes at the bottom of the bookcase assembly as shown. With the plate lined up attach using (4) flat head Phillips sharp point 1" screws (K).

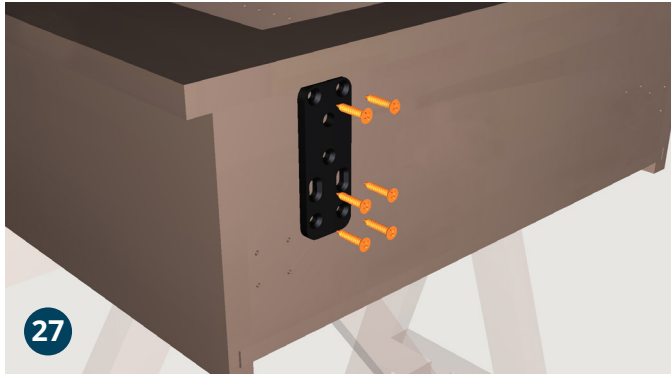


For a right-hand, out-swing door attach the upper jamb hinge (G) to the jamb top using (4) flat head Phillips sharp point 1" screws (K), lining up the hinge as shown. Make sure that you only use four screws. **DO NOT** drill into the two holes closest to the edge of the jamb as this can split your edge.

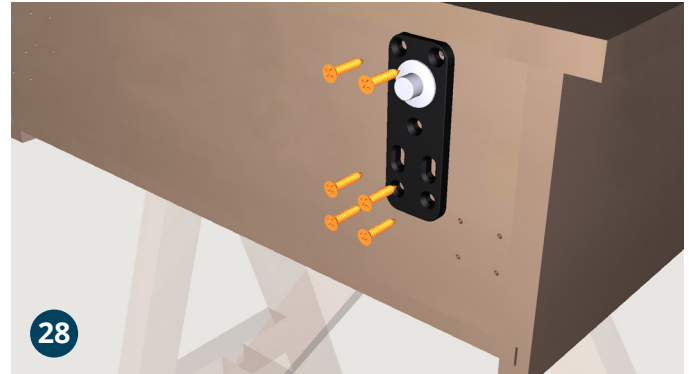


Install the bottom jamb hinge (H) to the jamb threshold using (6) flat head Phillips sharp point 1" screws (K), lining up the hinge as shown.

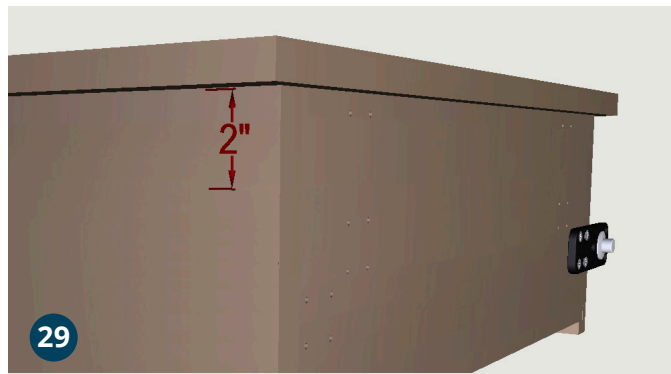
## PLEASE READ INSTRUCTIONS FULLY BEFORE YOU BEGIN ASSEMBLY



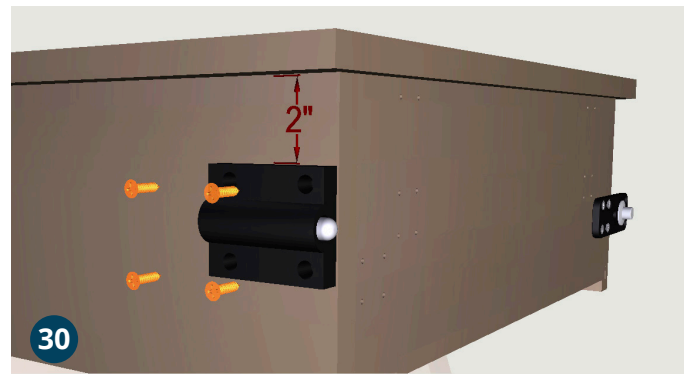
27 Attach the top hinge plate (I) to the top bookcase assembly using (6) flat head Phillips sharp point 1" screws (K).



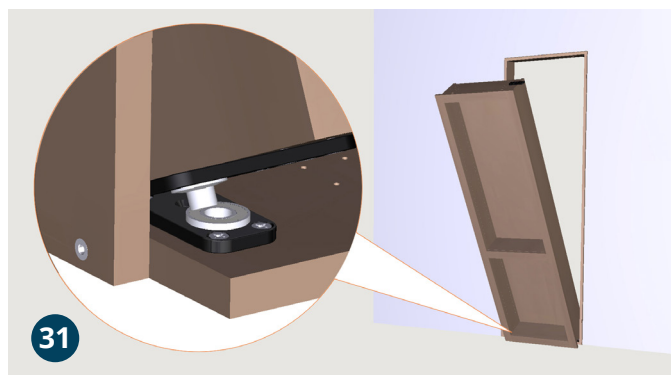
28 Match the bottom pivot hinge (J) to the pre-drilled holes at the bottom of the bookcase assembly as shown. With the plate lined up attach using (6) flat head Phillips sharp point 1" screws (K).



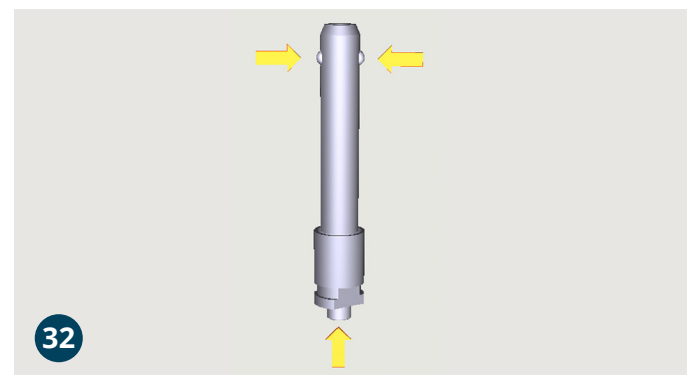
29 The friction door catch installs on the door side opposite the hinge. Make a mark 2" from the back of the door's face frame.



30 Position the friction door catch (M) at this mark, flush to the door bottom. Secure using (4) flat head Phillips sharp point 3/4" screws (L).



31 Place the door into the door jamb. Make sure the bottom hinge sits in the silver thrust bearing.

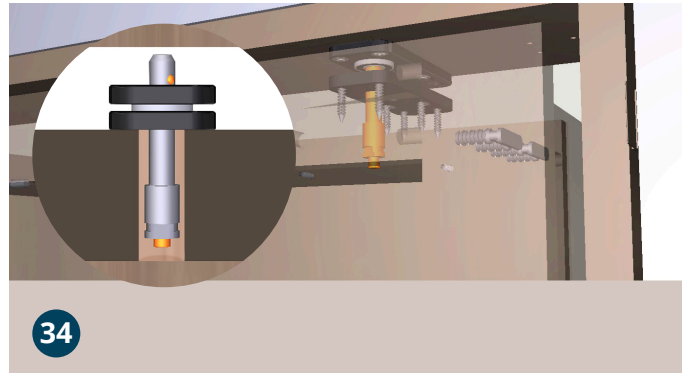


32 Press down on the ball lock of the hinge pin (N) to retract the two top pins.

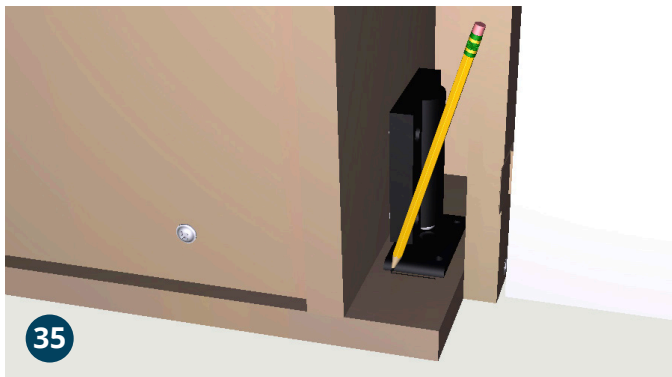
## PLEASE READ INSTRUCTIONS FULLY BEFORE YOU BEGIN ASSEMBLY



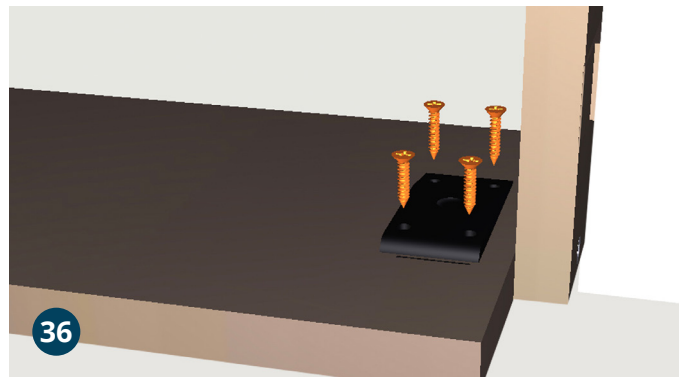
For an in-swing door align the holes of the bookcase top jamb hinge with the holes of the top door hinge. Depress the hinge pin button and insert the hinge pin into the holes making certain the pin locks into place.



For an out-swing door the hinge pin inserts from the front side of the bookcase. Align the hole in the top of the bookcase with the top door hinge. Depress the hinge pin button and insert the hinge pin. The hinge pin will appear countersunk when properly installed and locked into place.



Place the poly wedge (O) where the doorstop carriage bolt will go when the door is closed. Ensure that the door is flush. Mark out the poly wedge location with a pencil.



Remove the sticker from the back of the poly wedge placing it over the marked location. The wedge taper should face in for an in-swing door and out for an out-swing door. Secure with (4) flat head Phillips sharp point 3/4" screws (L).

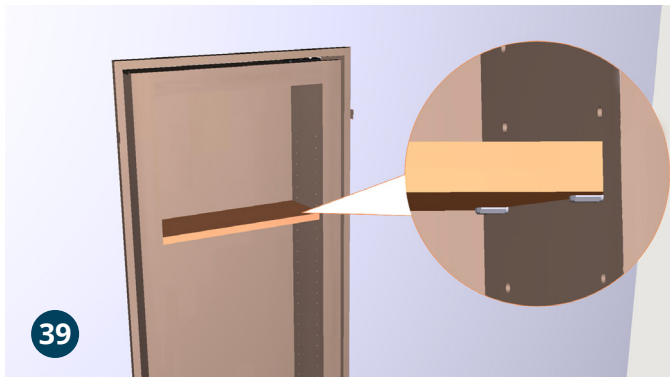


Now that the door assembly is in place use an adjustable wrench to tighten the carriage bolt just enough to catch the door catch.

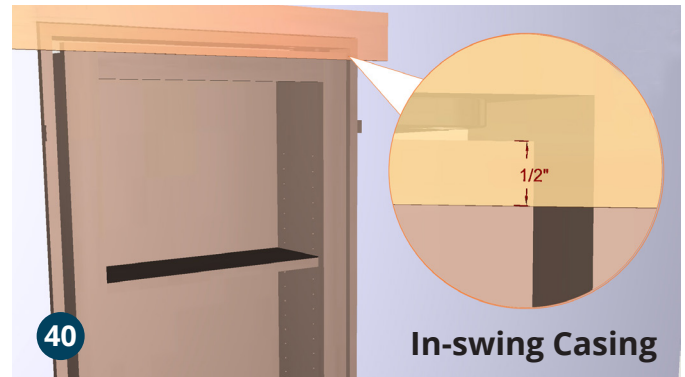


Add (2) shelf pins (P) where desired and (2) shelf pins (P) directly across from the first two.

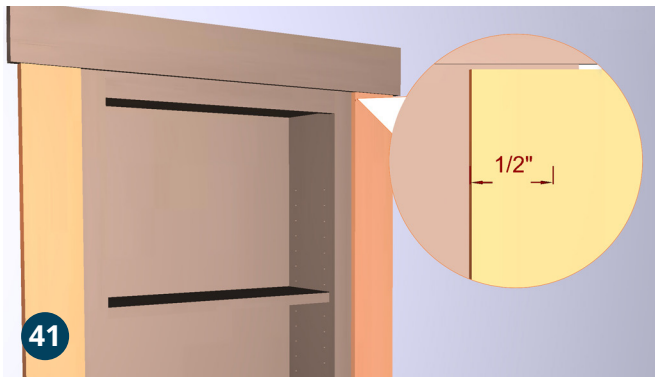
## PLEASE READ INSTRUCTIONS FULLY BEFORE YOU BEGIN ASSEMBLY



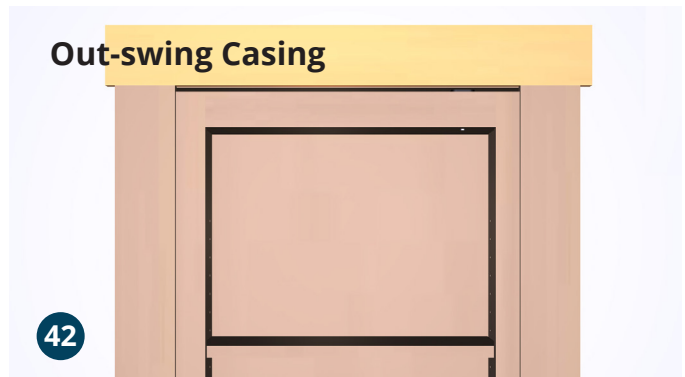
39 Slide the shelf into place onto the installed shelf pins. Do the same to place the remaining shelves as desired.



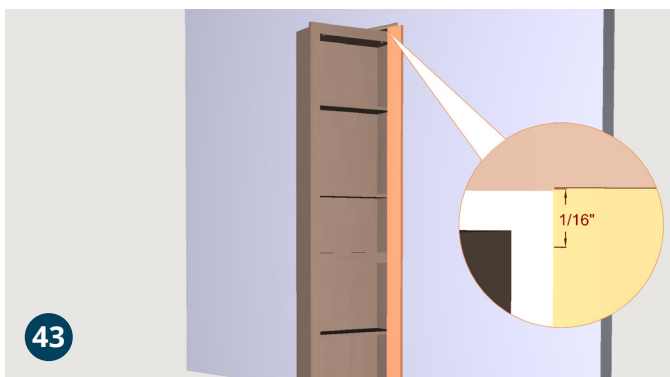
40 For an in-swing door, position the top casing with a 1/2" overhang on the face frame of your door. Attach using a brad nailer.



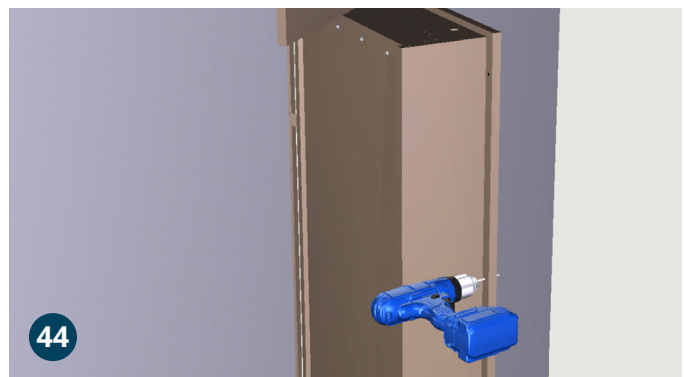
41 Position the right and left side casings with a 1/2" overhang on the face frame of the door. Attach using a brad nailer.



42 For an out-swing door, center the top casing over the door leaving a 1/16" clearance over the door itself. Attach using a brad nailer.



43 Trim the right and left casing to fit as needed. Attach the right casing onto the door jamb with a 1/2" overhang on the door face frame.



44 Using a 1/8" drill bit pre-drill five holes into the left support face frame. This will make it easier to attach the left side casing.

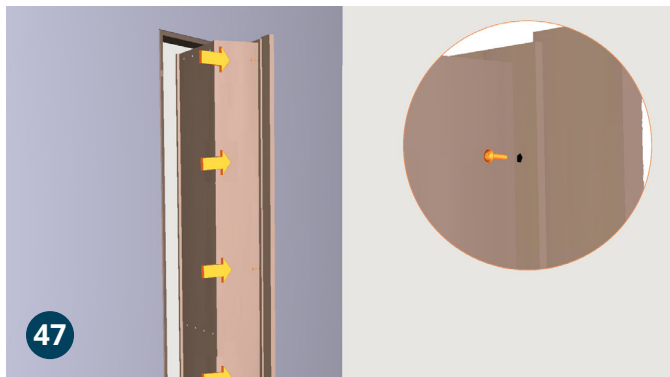
## PLEASE READ INSTRUCTIONS FULLY BEFORE YOU BEGIN ASSEMBLY



45 Run a bead of glue down the face frame of the door to strengthen the left casing.



46 Position the left side casing. Test the door swing prior to screwing in to ensure it doesn't make contact with the floor.



47 Secure with (5) 1-1/4" truss head screws (D) making sure not to drill through other side of front casing.

### **Congratulations.**

This completes the Murphy Door Unassembled Flush Mount installation procedure.

### **1 Year Warranty** (U.S.A. only)

Murphy Door warrants your door against defects in material and workmanship under normal use and maintenance for a period of one (1) year from the date of original purchase.

Murphy Door Inc. will provide a replacement part for any part found to be defective. Original part(s) approved for return by Murphy Doors customer service department must be returned prepaid. This warranty does not include labor charges connected with the determination or replacement of defective parts, or freight charges to ship these parts.

Murphy Door Inc. shall not be liable under this or any implied warranty for incidental or consequential damages. This warranty gives the retail customer specific legal rights and the customer may have other rights which vary from state to state.

This warranty shall be void if the unit is not assembled or operated in accordance with the operation instructions provided with this unit; the unit is re-sold or traded to another owner; components, accessories; or the user has abused or otherwise failed to maintain the unit.

To process a warranty claim, Murphy Door requires you to register your product on our BILT app and proof of your date of purchase. You should retain your sales slip or invoice with your valuable documents.