










Before You Start

-  Please read all instructions carefully.
-  Retain instructions for future reference.
-  Separate and count all parts and hardware.
-  Read through each step carefully and follow the proper order.
-  We recommend that, where possible, all items are assembled near to the area in which they will be placed in use, to avoid moving the product unnecessarily once assembled.
-  Always place the product on a flat, steady and stable surface.
-  Keep all small parts and packaging materials for this product away from babies and children as they potentially pose a serious choking hazard.

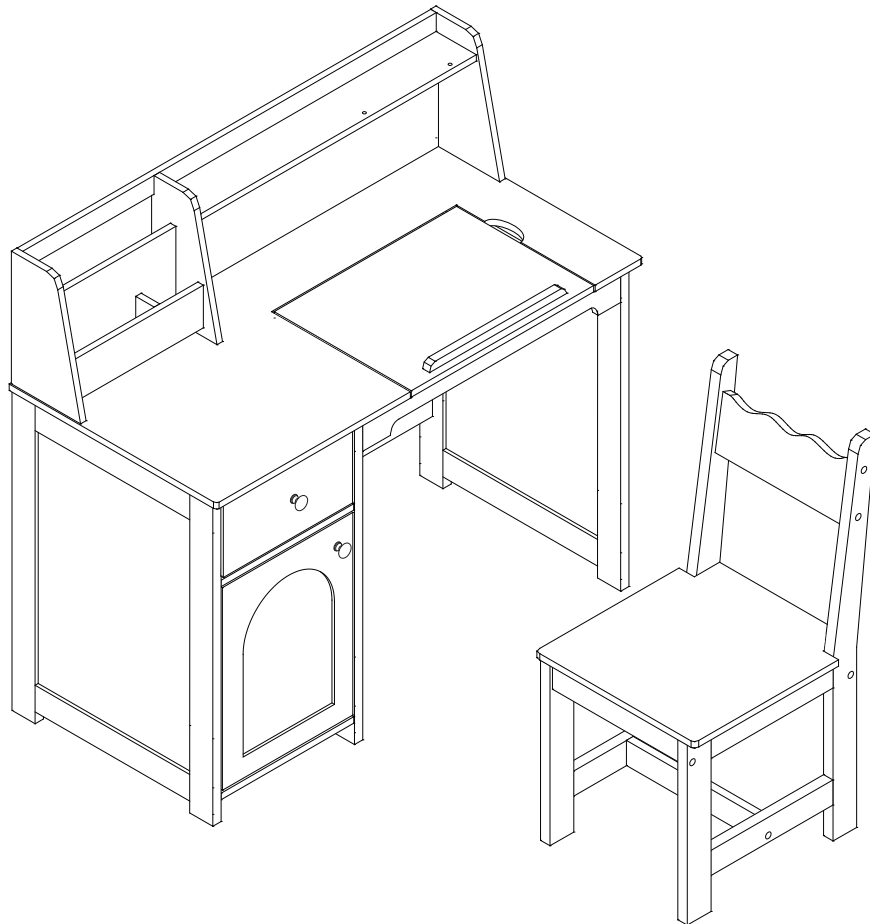
Assembly Instructions

We have designed our furniture with you, the customer in mind. Our clear, easy to follow step by step instructions will guide you through the project from start to finish. Feel confident that this will be a fun and rewarding project. The final product will be a quality piece of furniture that will go together smoothly and give years of enjoyment.

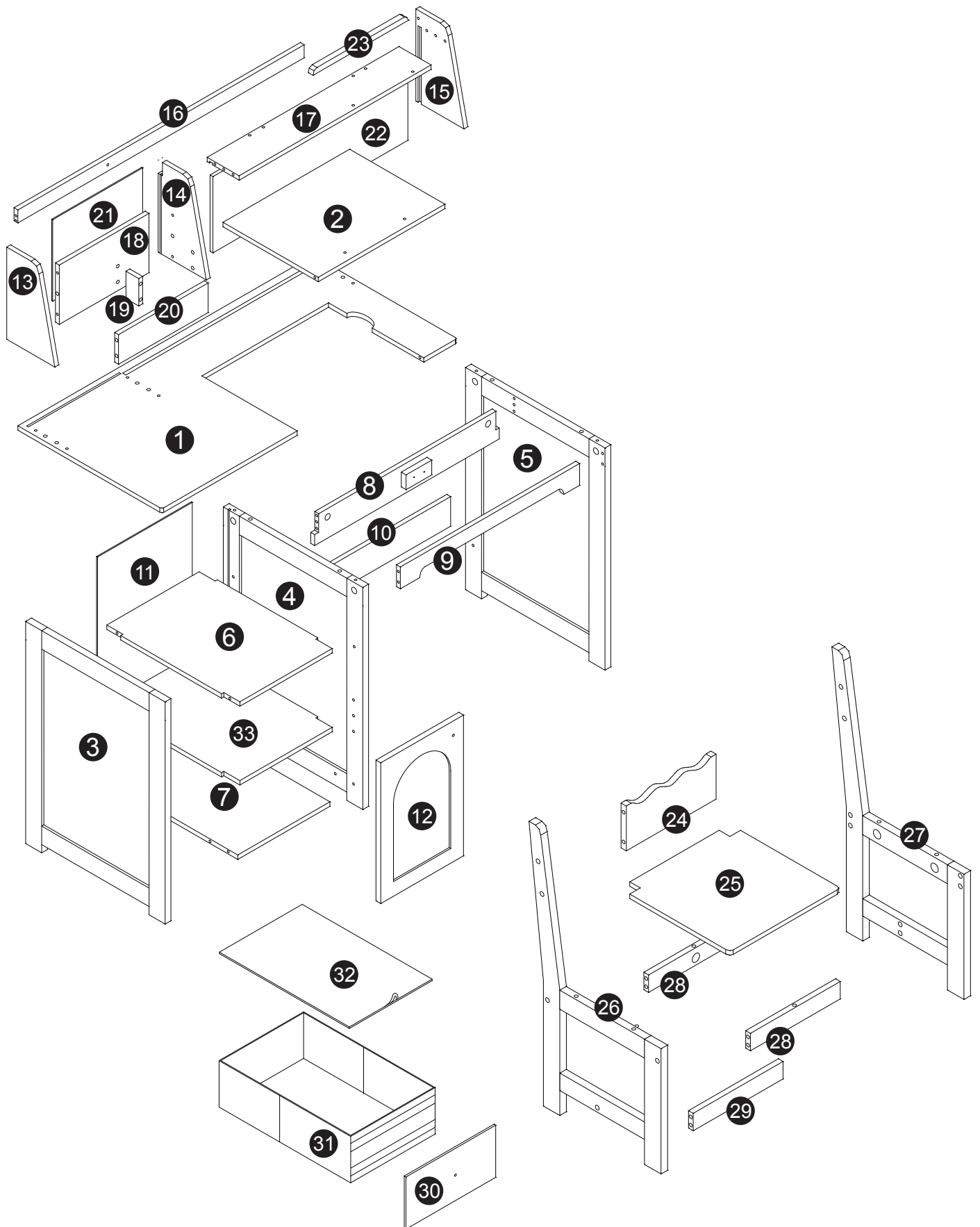


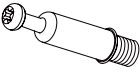

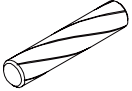

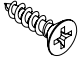
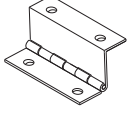

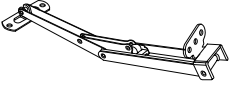
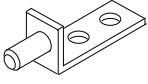
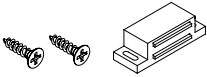





Please do not return to the store
Broken or missing Hardware?
Need help with Assembly?
If you have any questions just email us.

Completed Assembly



Parts Description



<p>A</p>  <p>Cam Bolt 38</p>	<p>B</p>  <p>Cam Lock 38</p>	<p>C</p>  <p>8X30mm Wooden Dowel 42</p>
<p>D</p>  <p>4x35mm Screw 11</p>	<p>E</p>  <p>3x12mm Screw 13</p>	<p>F</p>  <p>Metal Hinge 2</p>
<p>G</p>  <p>4x12mm Screw 6</p>	<p>H</p>  <p>Folding support rod 1</p>	<p>J</p>  <p>2</p>
<p>K</p>  <p>3x14mm 1</p>	<p>L</p>  <p>Metal Plate 1</p>	<p>M</p>  <p>Knob 2</p>
<p>N</p>  <p>4x20mm Bolt 1</p>	<p>P</p>  <p>4x8mm Bolt 1</p>	<p>Q</p>  <p>6x45mm Bolt 10</p>

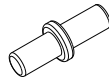
R



Buffer Pad

10

S



Shelf Supporter

4

T



AllenKey

2

U



Plastic Anchor

2

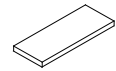
V



Iron Sheet

2

W



Felt Floor Mats

10



Note: Please do not use any power tools. Use of power tools may cause damage and void manufacture warranty.

Instructions For Fastening Cam Bolt and Cam Lock



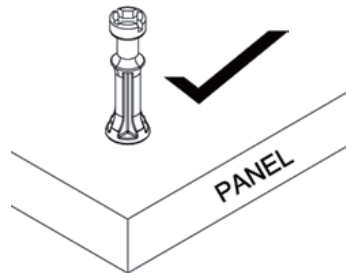
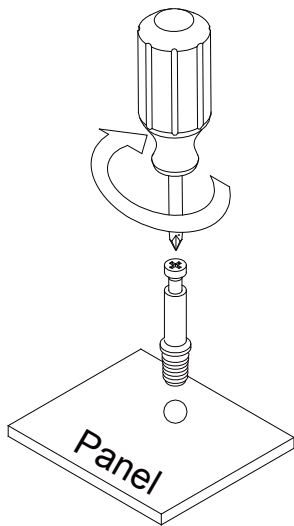
CAM BOLT



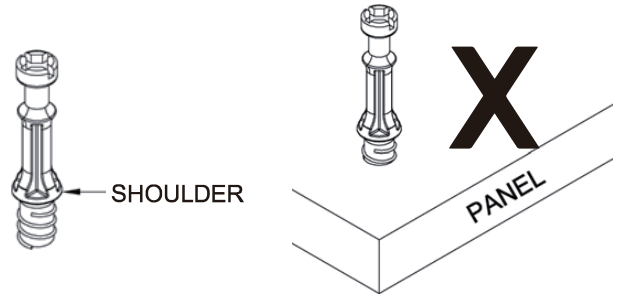
CAM LOCK

Cam Bolt

Place Cam Bolt on the designated pre-drilled hole on the panel. Use a Phillips Screwdriver to screw in Cam Bolt vertically until shoulder is snug and flushed with panel. Do not over-tighten or under-tighten Cam-bolt. See illustrations below.

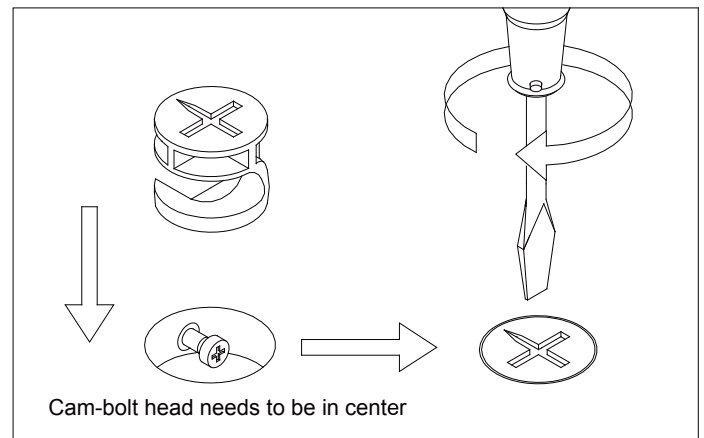
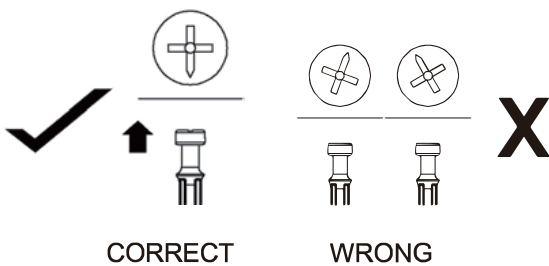


Shoulder is flushed (on the same level) with the panel.





Shoulder is above the panel.

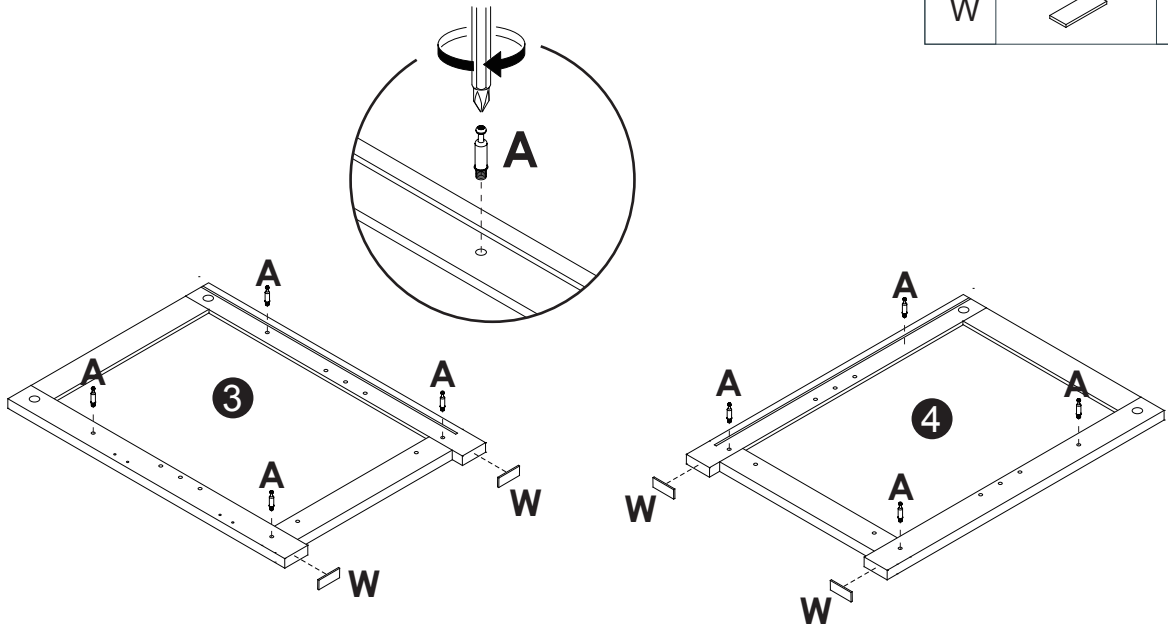
CAM-LOCK
Align the arrow on the Cam-lock to the Cam-bolt head and insert the Cam-lock.




Use a Flat-head Screwdriver to turn Cam Lock clockwise to lock onto the head of the Cam Bolt. Turn until it is snug (about a half turn) – over-tightening could damage Cam Lock and/or Cam Bolt.

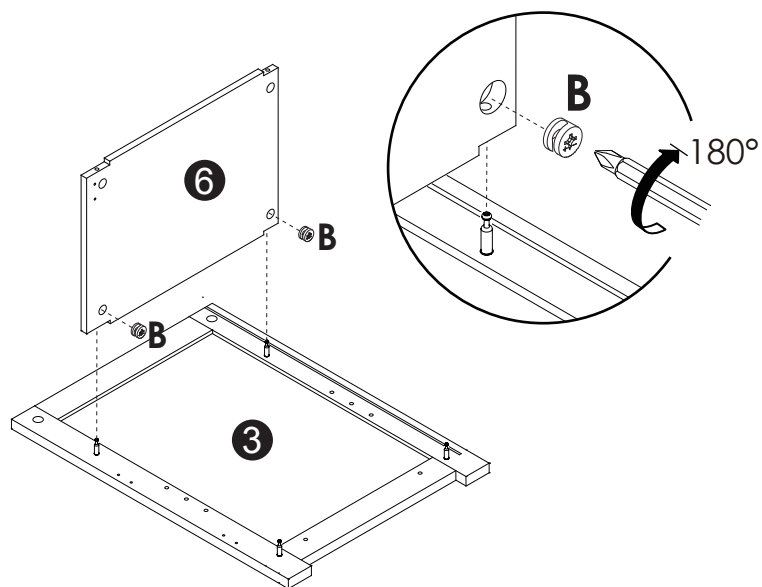
Step 1

Hardware Needed		
A		X8
W		X4





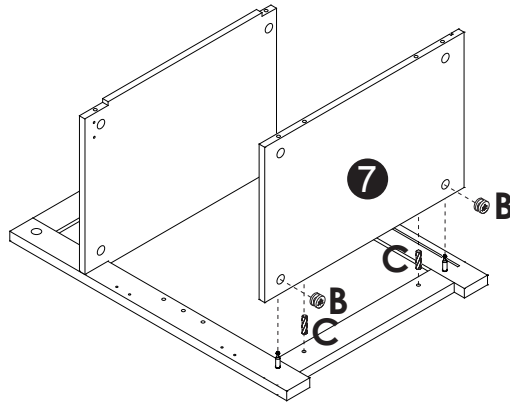
Step 2

Hardware Needed		
B		X2





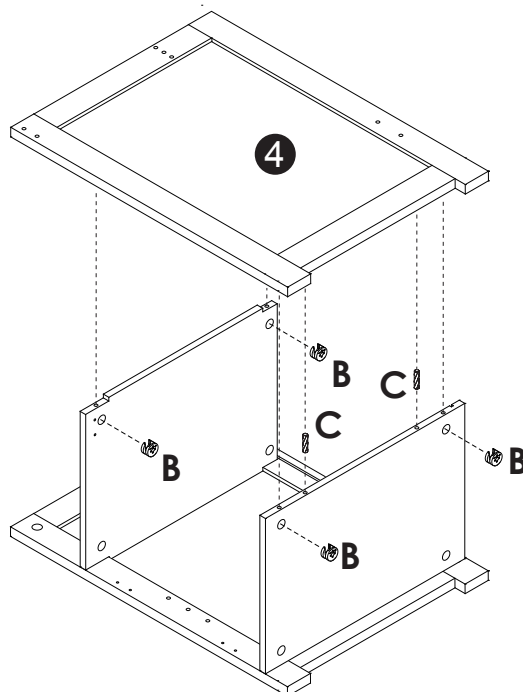
Step 3

Hardware Needed		
B		X2
C		X2




Step 4

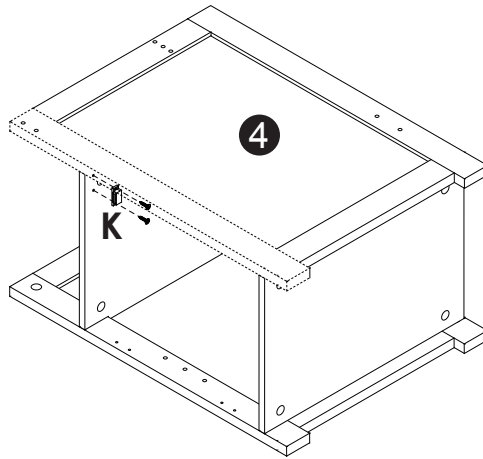
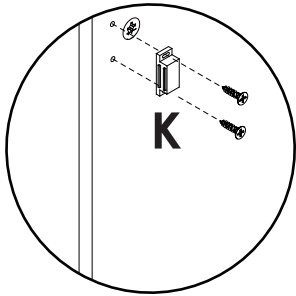
Hardware Needed		
B		X4
C		X2



Step 5

Hardware Needed

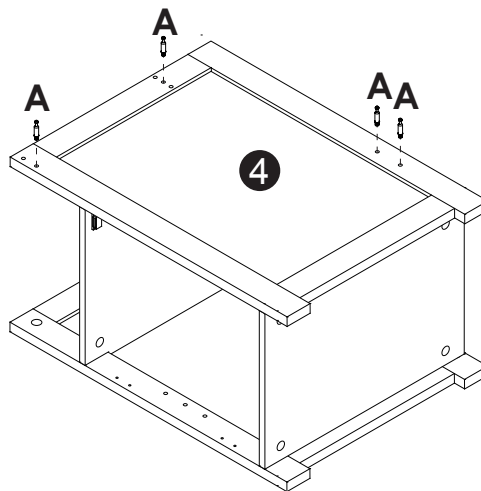
K		X1
---	---	----



Step 6



Hardware Needed

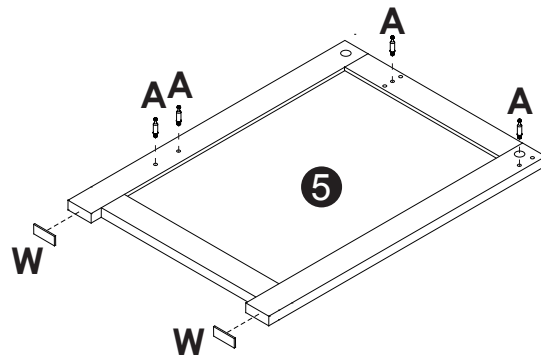
A		X4
---	---	----



Step 7

Hardware Needed

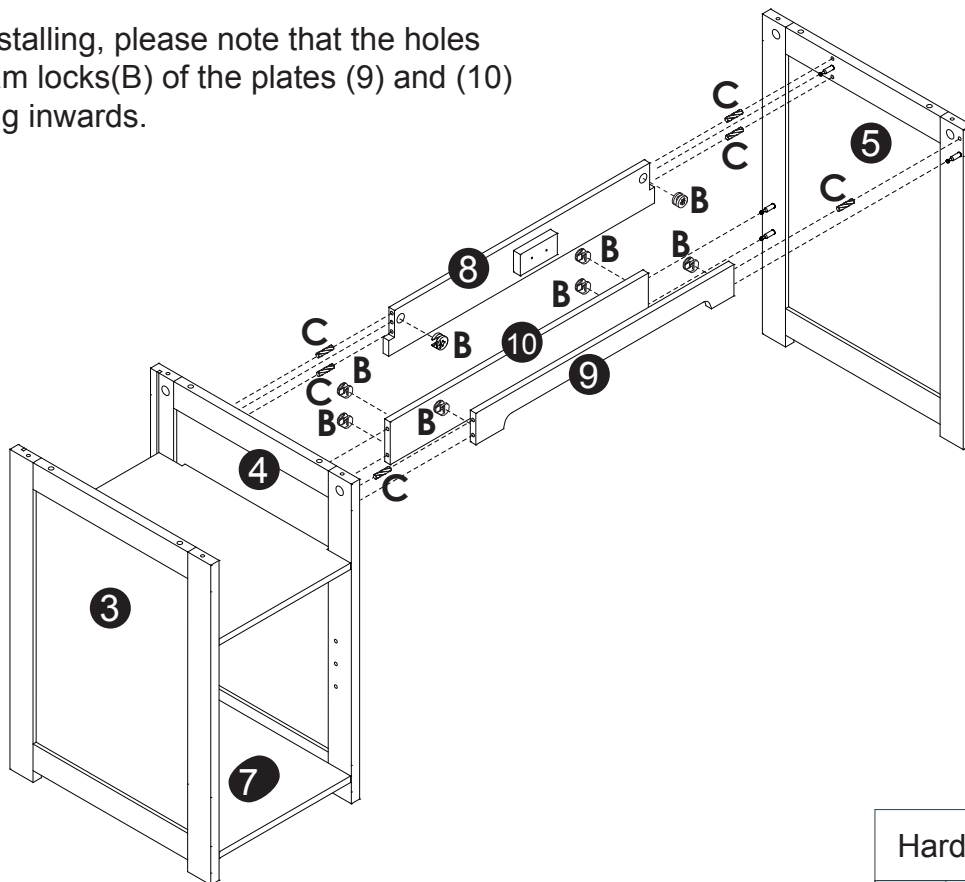
A		X4
W		X2





Step 8

Tip:

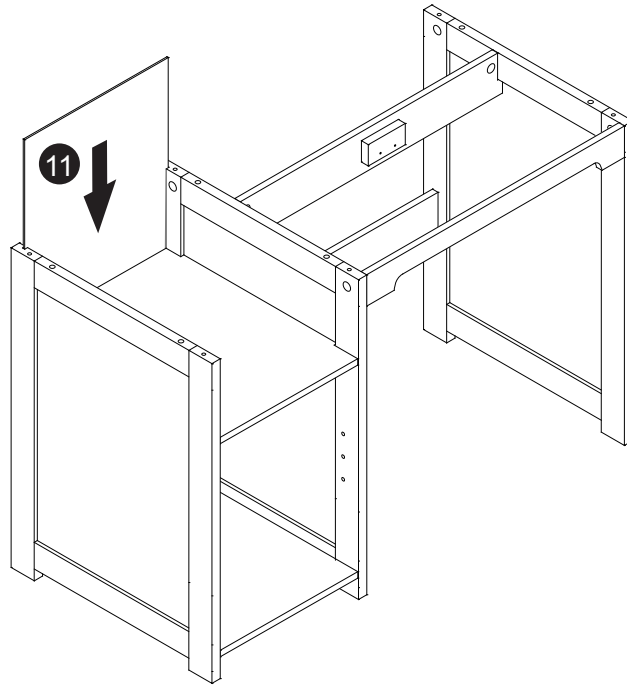
When installing, please note that the holes of the cam locks(B) of the plates (9) and (10) are facing inwards.



Hardware Needed

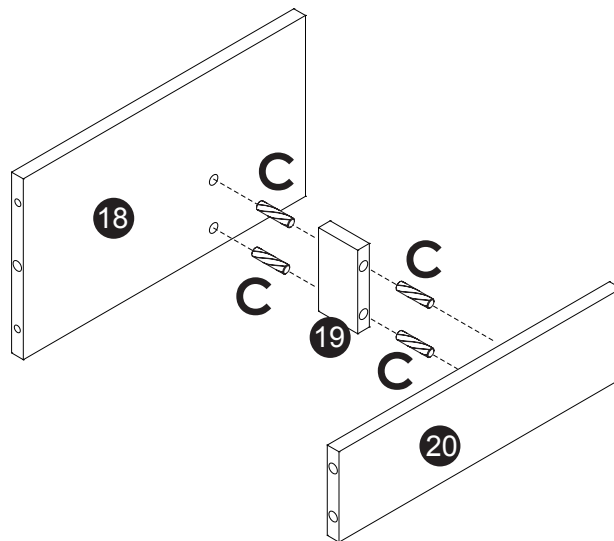
B		X8
C		X6

Step 9

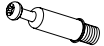


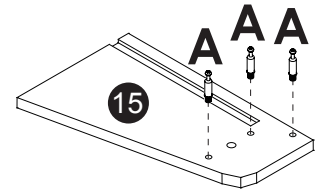
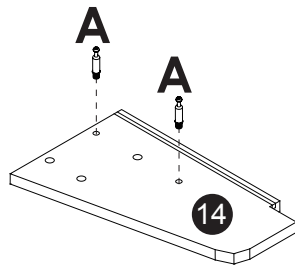
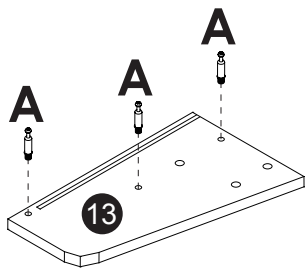
Step 10

Hardware Needed		
C		X4

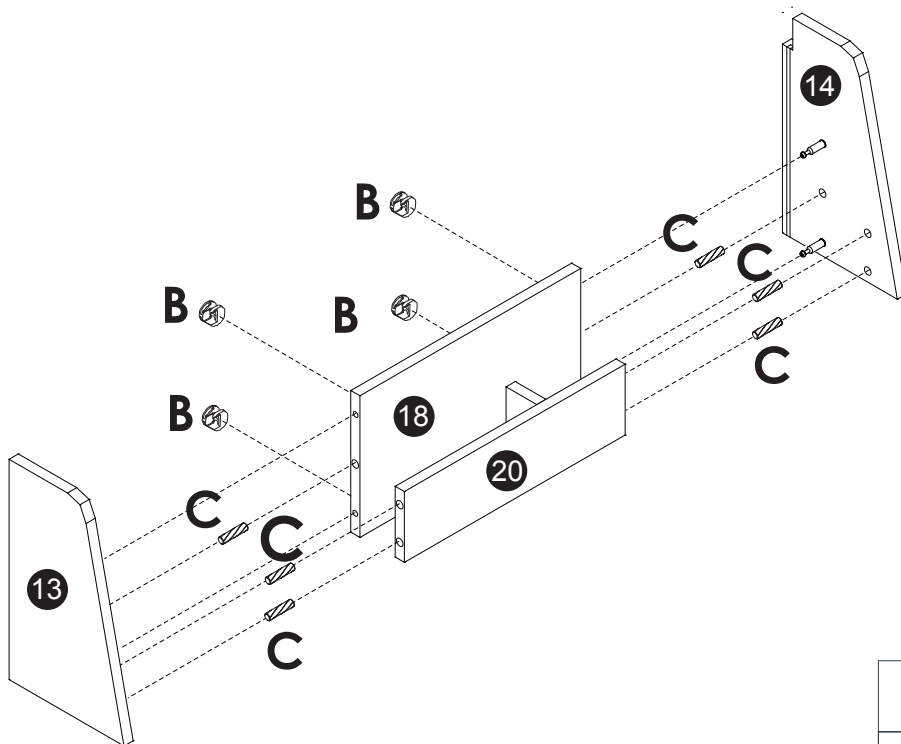




Step 11

Hardware Needed		
A		X8




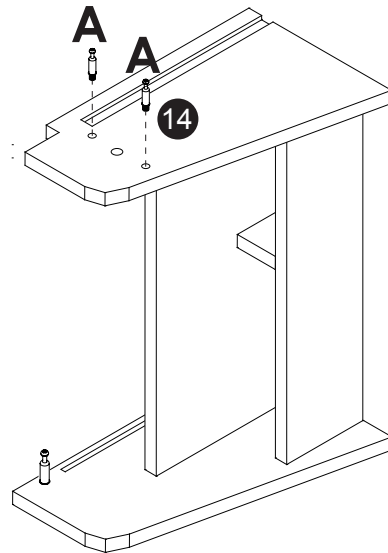
Step 12



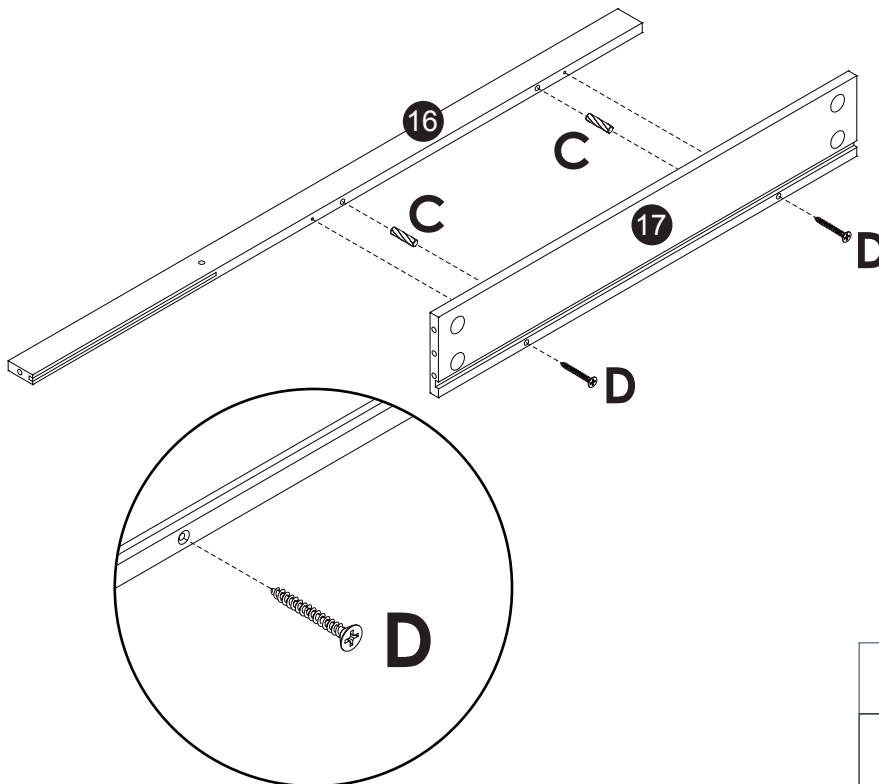
Hardware Needed		
B		X4
C		X6



Step 13

Hardware Needed		
A		X2





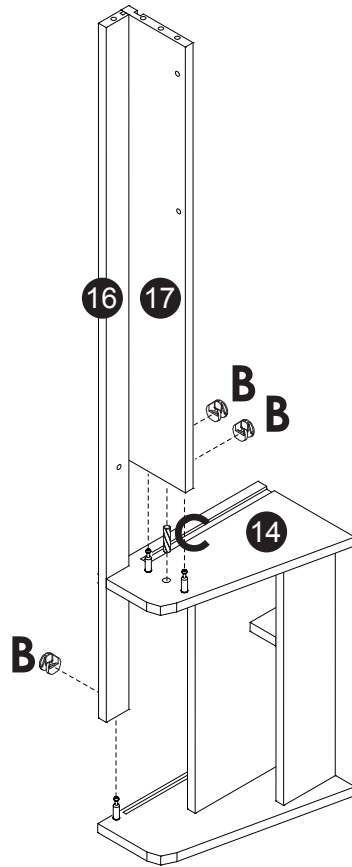
Step 14




Hardware Needed		
C		X2
D		X2

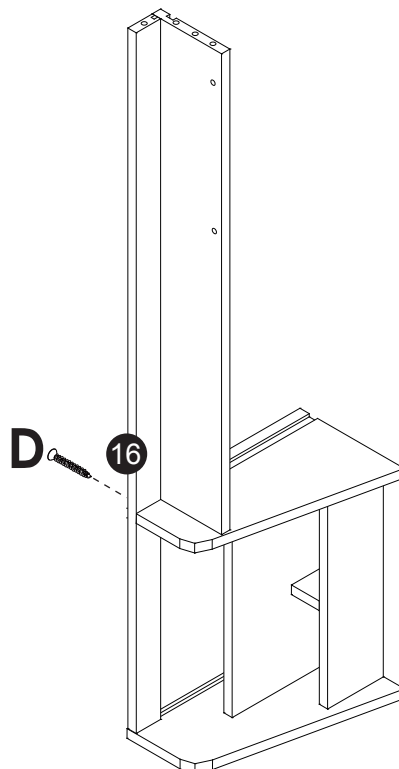
Step 15

Hardware Needed		
B		X3
C		X1

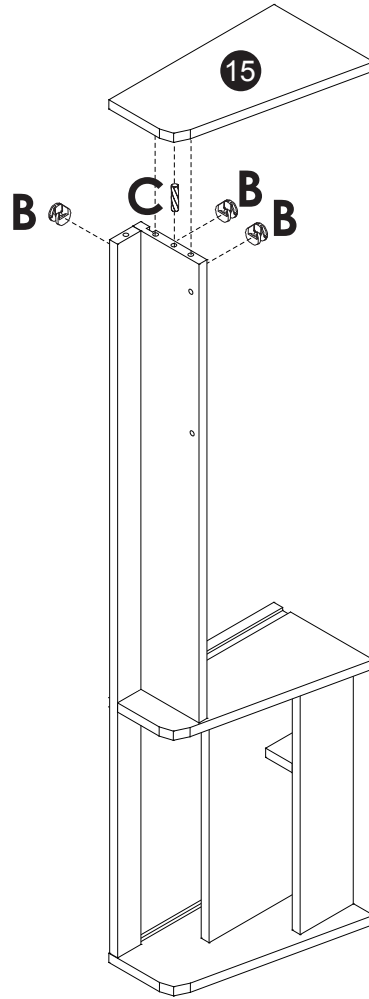


Step 16



Hardware Needed		
D		X1



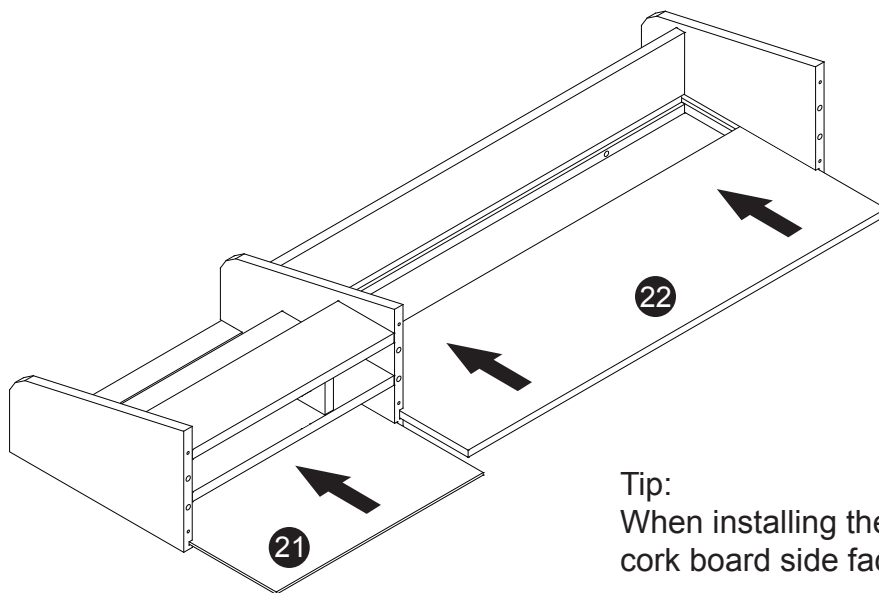
Step 17



Hardware Needed


B		X3
C		X1

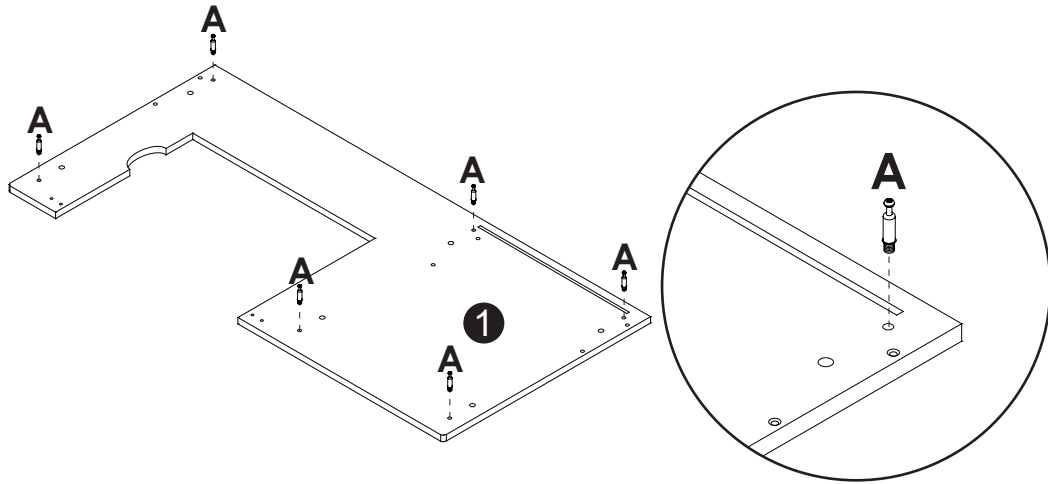
Step 18



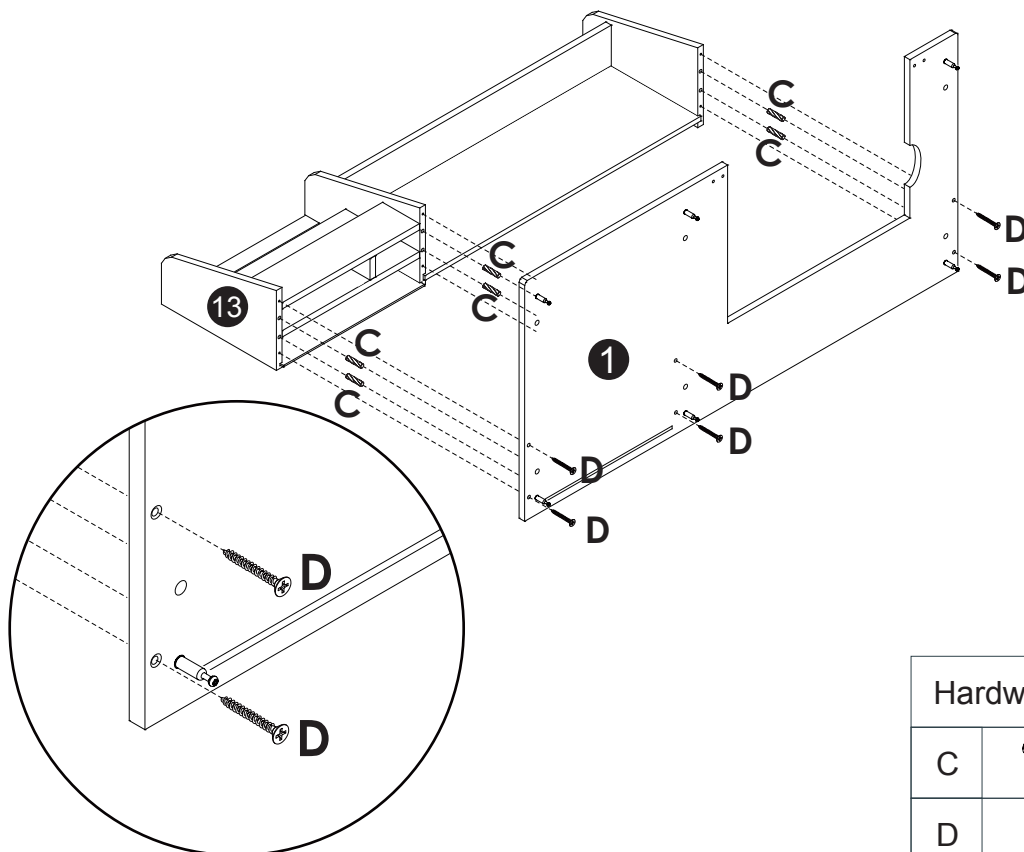
Tip:
When installing the plate (22), the cork board side faces upward.

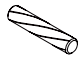

Step 19

Hardware Needed		
A		X6



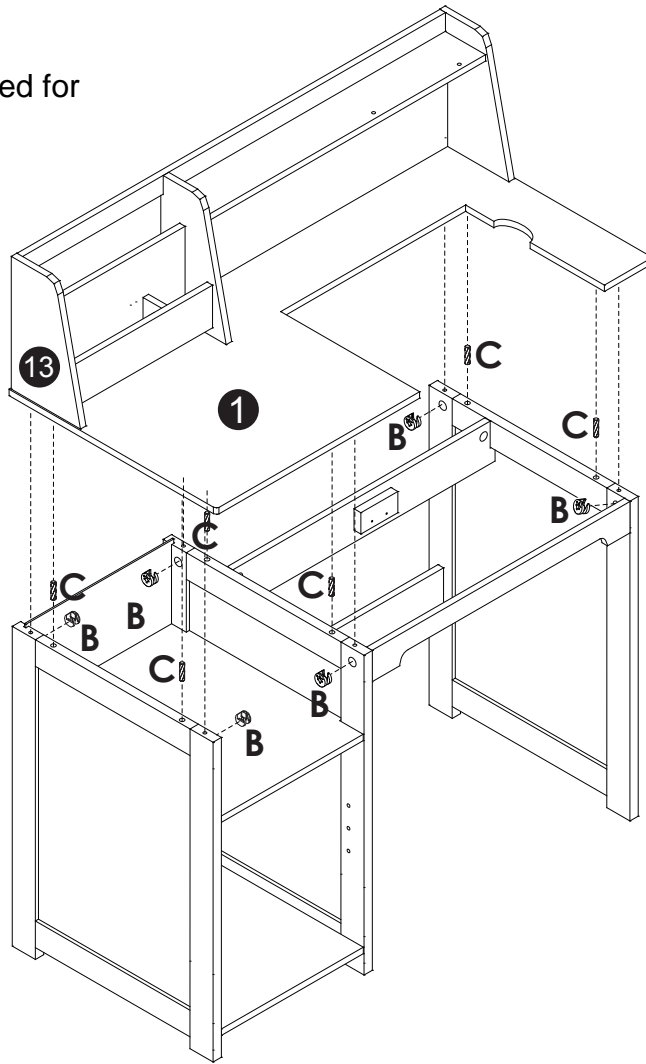
Step 20





Hardware Needed		
C		X6
D		X6

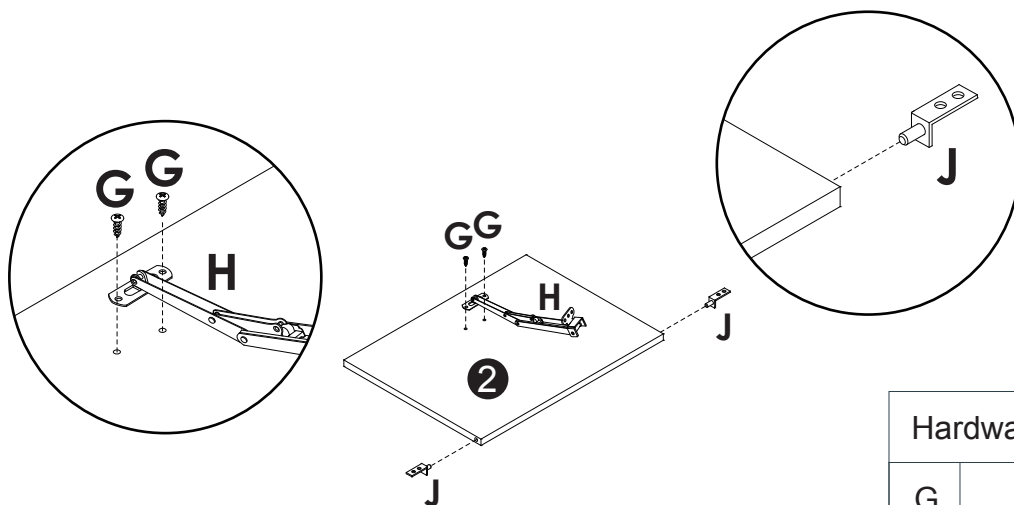
Step 21




Tip : This step is recommended for two people to install




Hardware Needed		
B		X6
C		X6

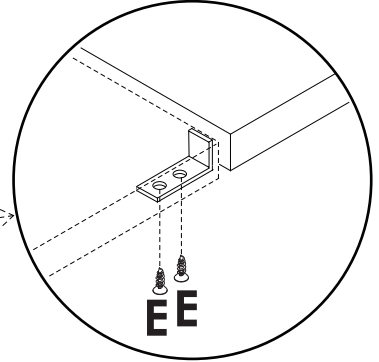
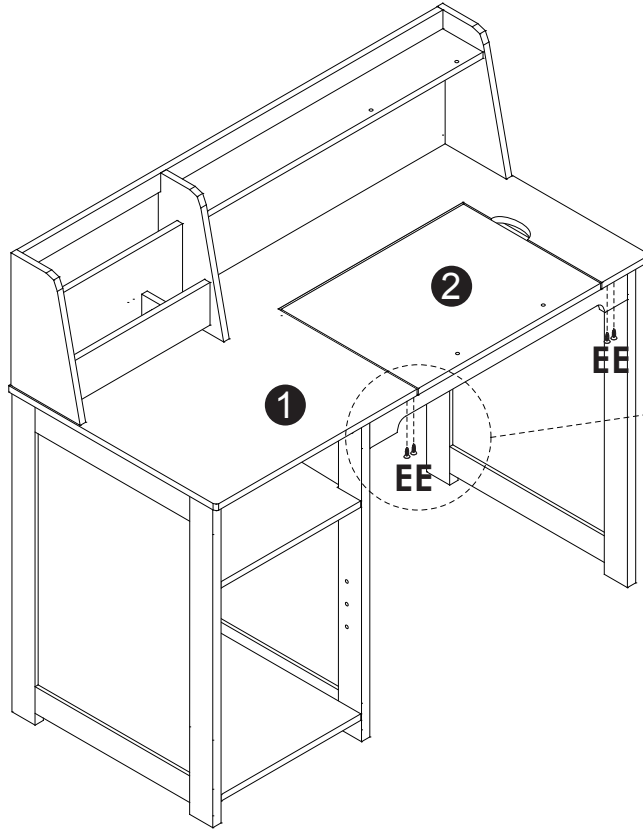
Step 22



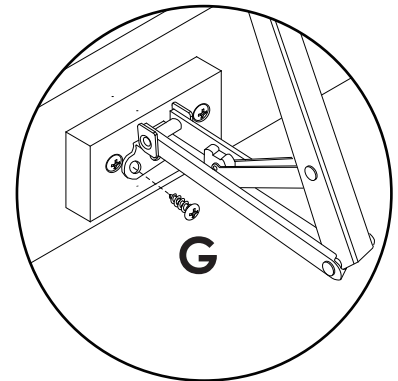
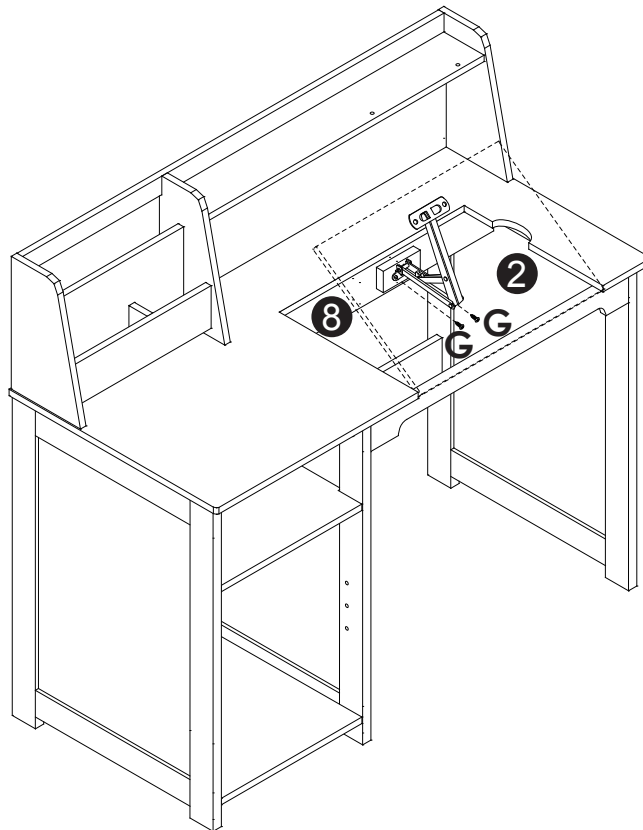
Hardware Needed		
G		X2
H		X1
J		X2


Step 23

Hardware Needed		
E		X4


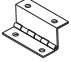


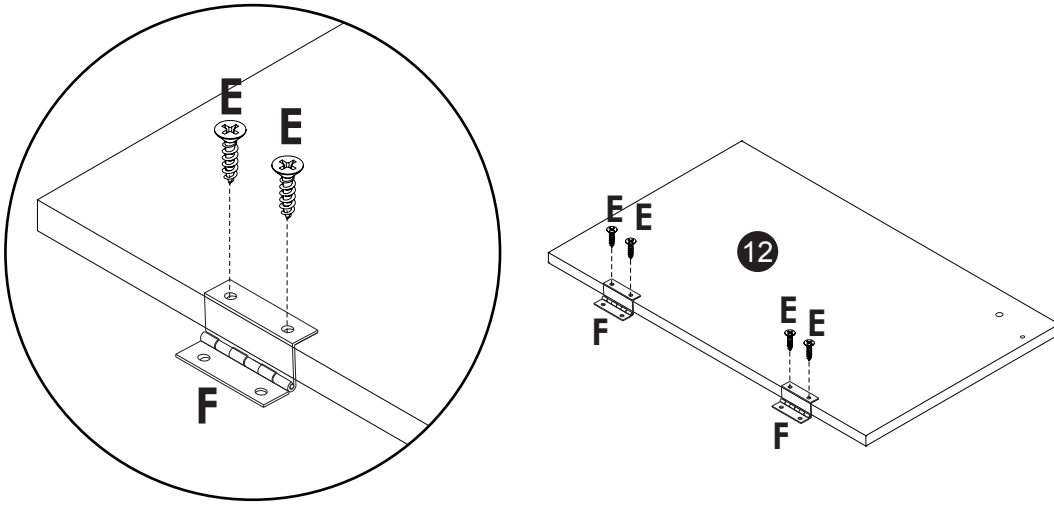
Step 24





Hardware Needed		
G		X2

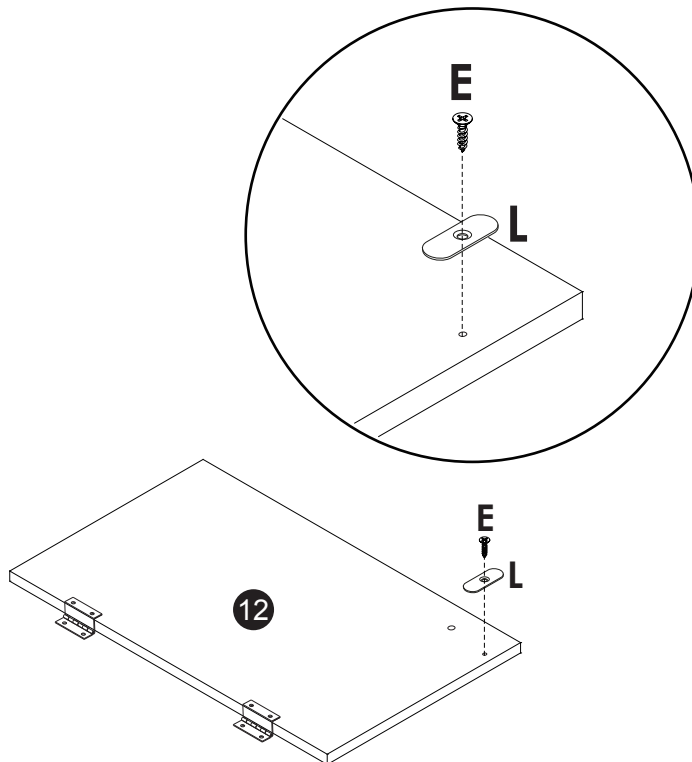
Step 25

Hardware Needed		
E		X4
F		X2






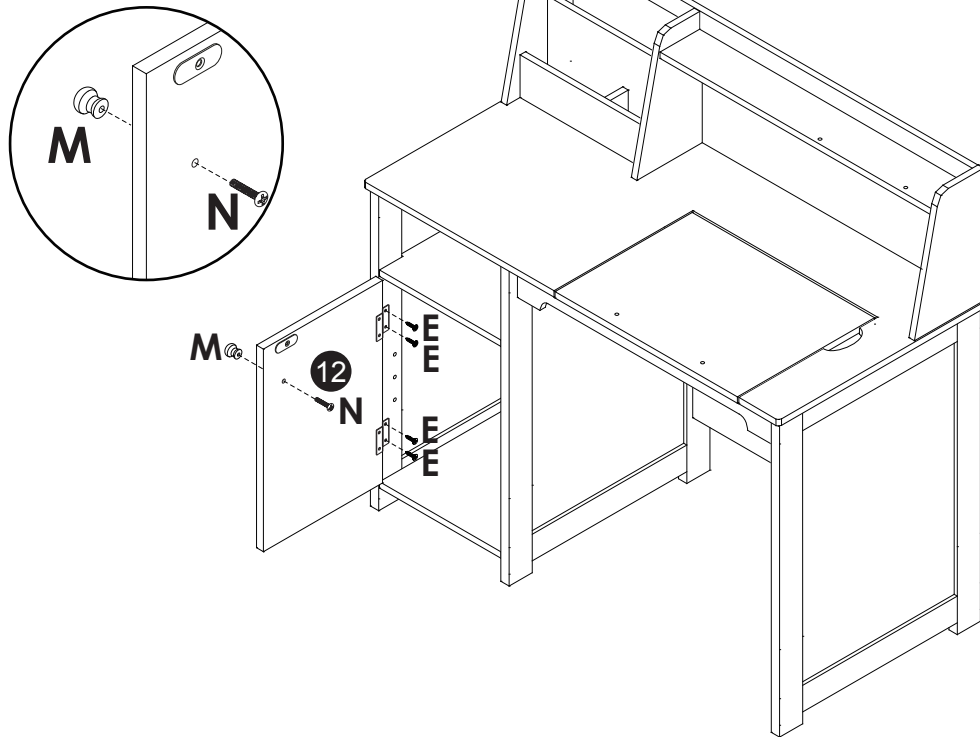
Step 26

Hardware Needed		
E		X1
L		X1




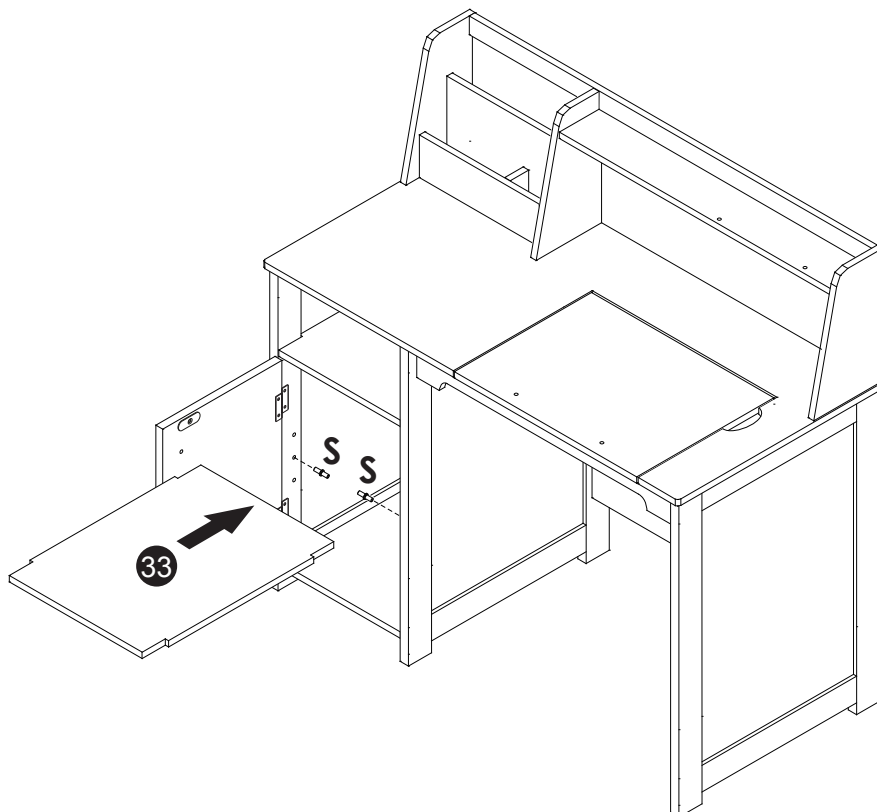
Step 27

Hardware Needed		
E		X4
M		X1
N		X1



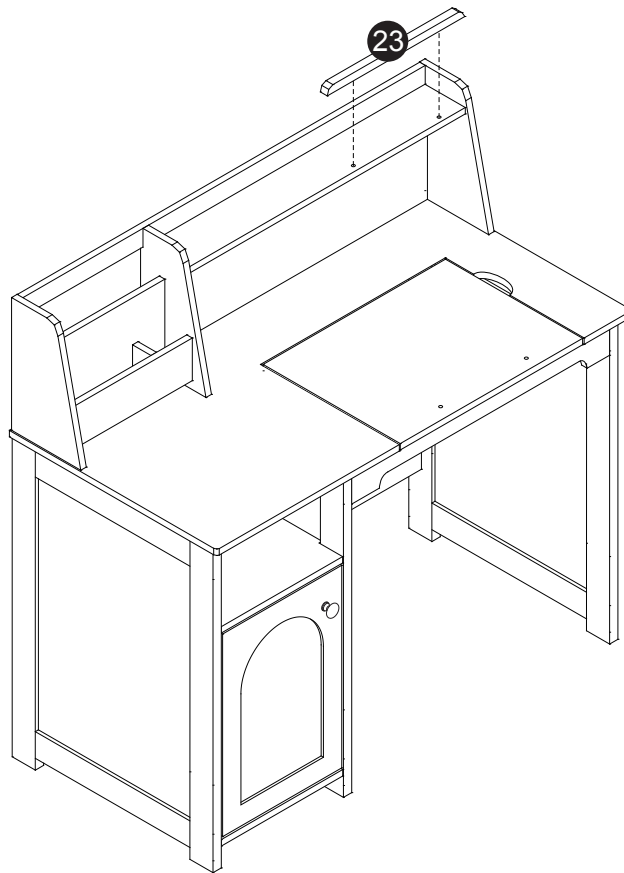
Step 28

Hardware Needed		
S		X4



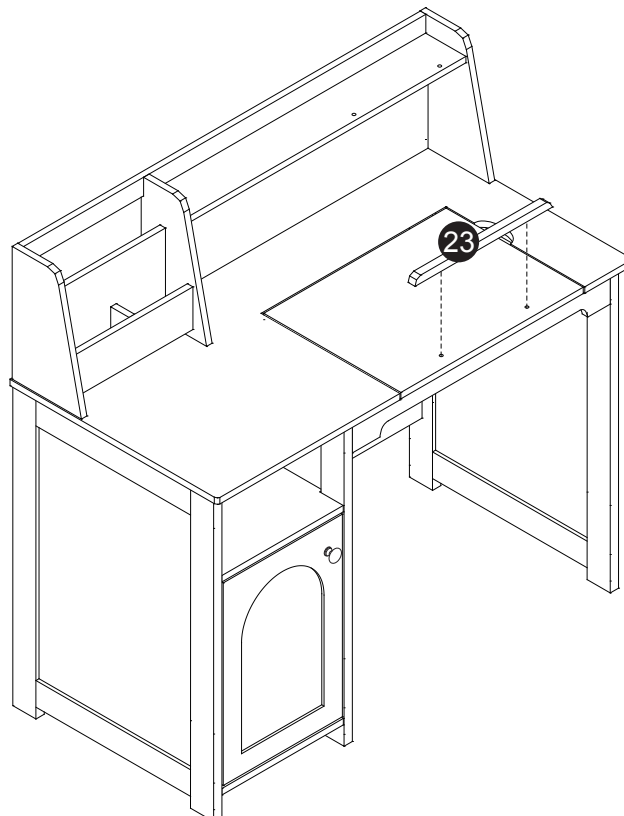
Step 29

Scenario 1: When the stop bar (23) is not needed, it can be placed in the reserved hole of the upper layer board





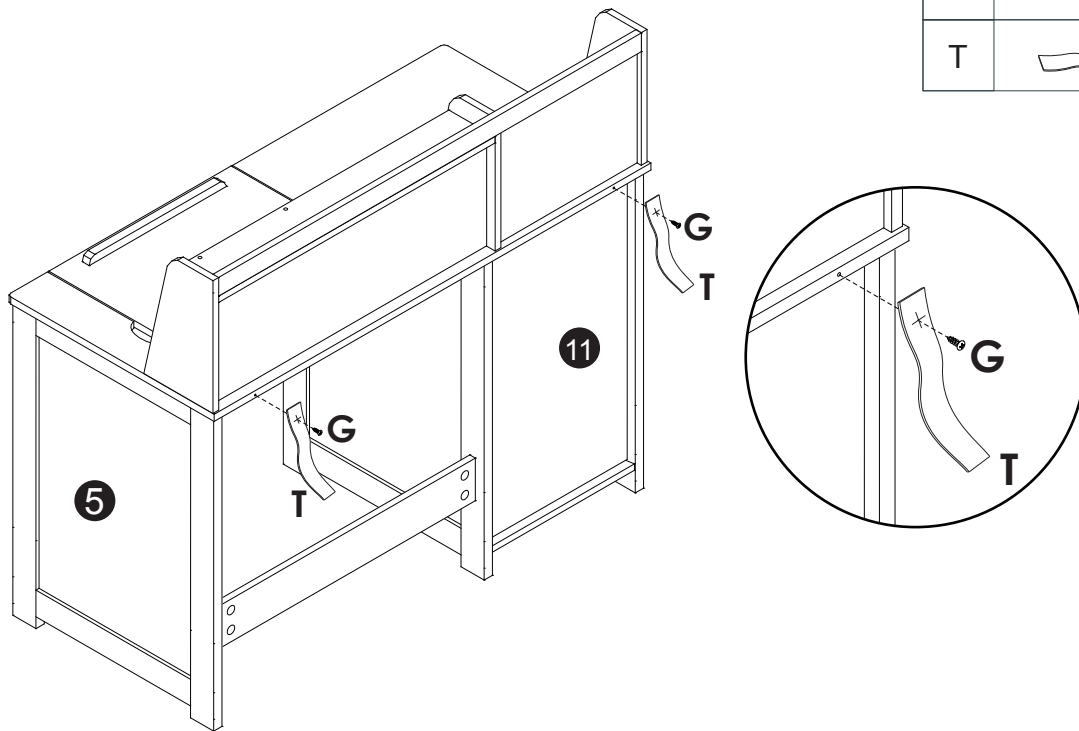
OR

Scenario 2: When the desktop is raised for use, the stop bar (23) can be placed in the reserved hole of the desktop to prevent objects on the desktop from sliding down;

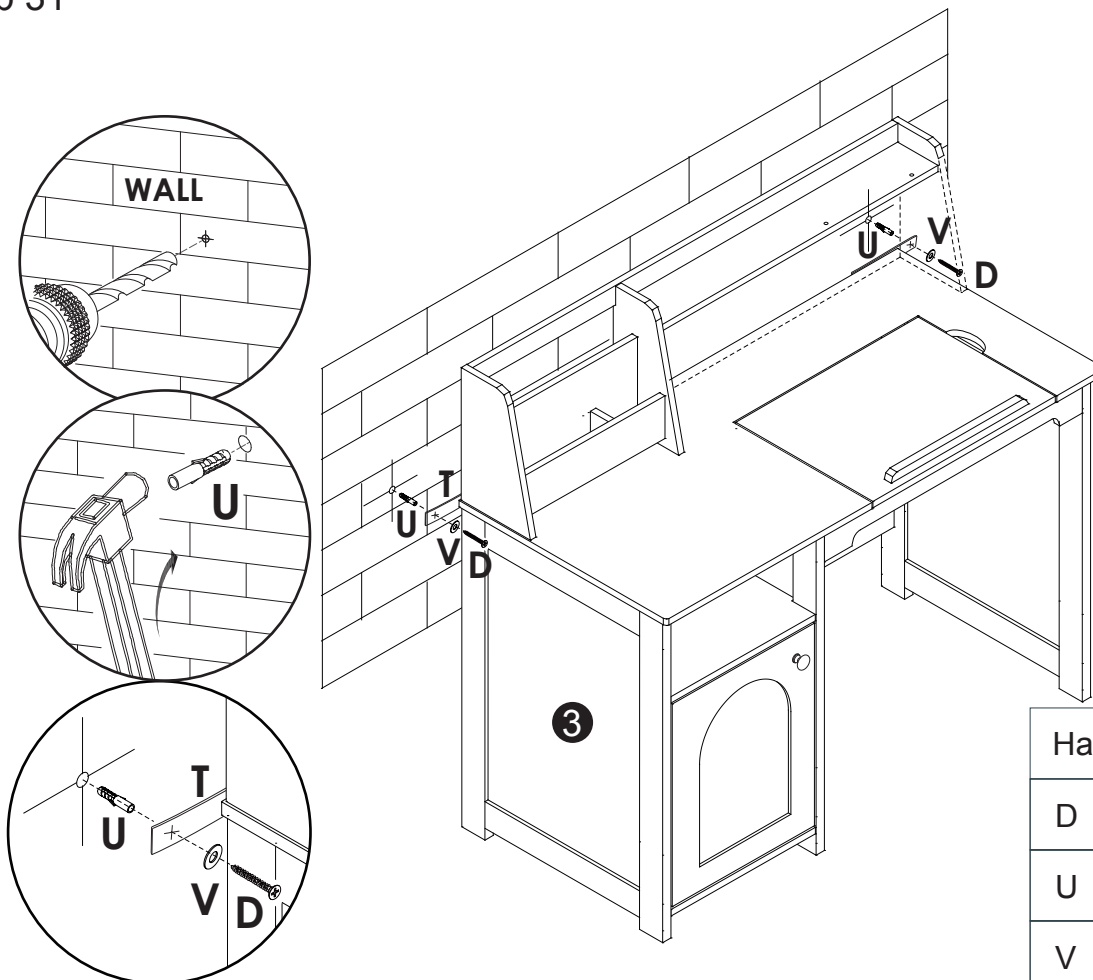





Step 30

Hardware Needed		
G		X2
T		X2

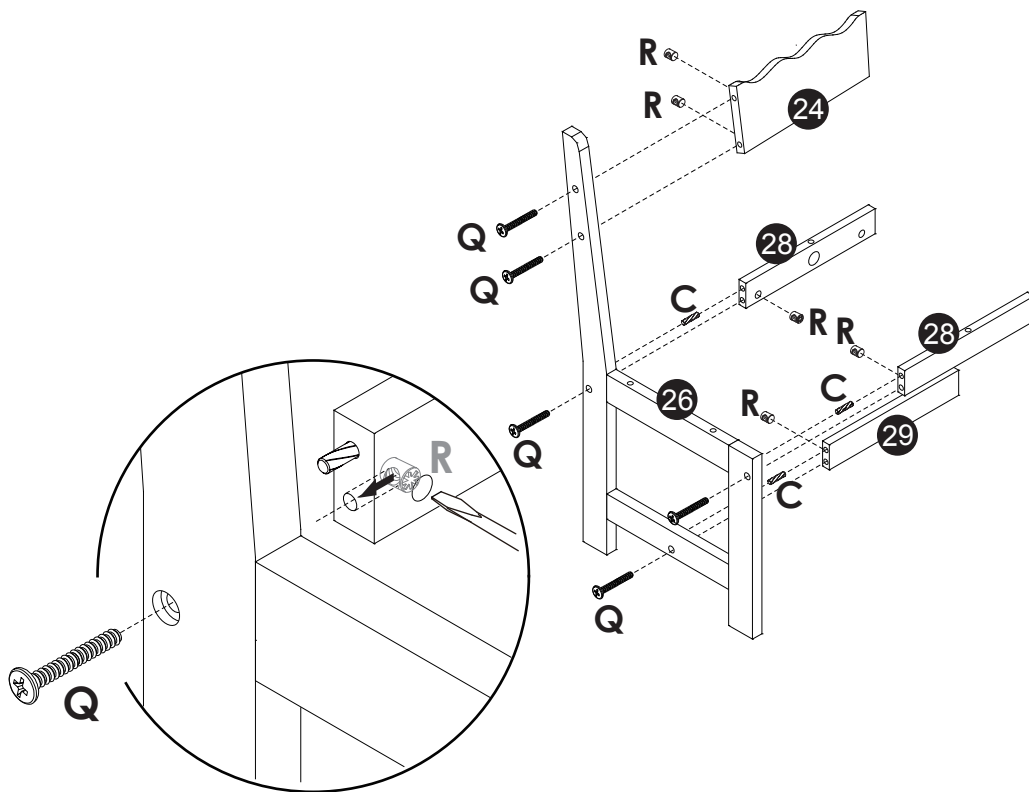


Step 31



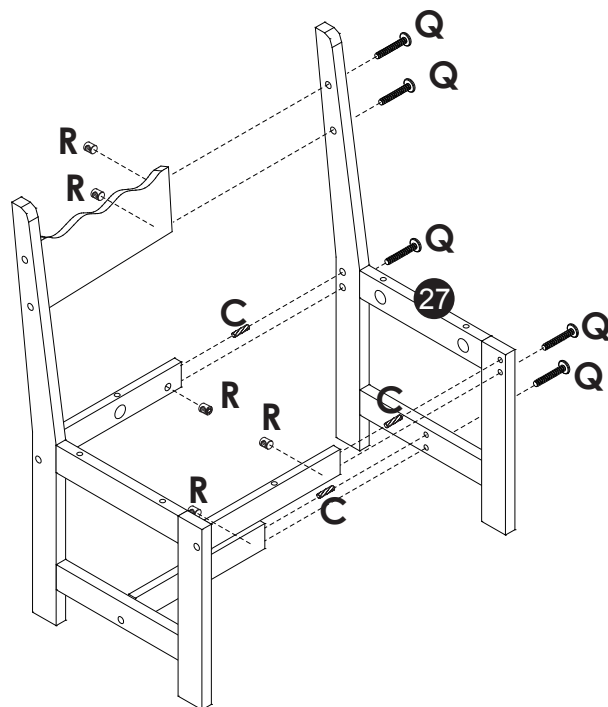
Hardware Needed		
D		X2
U		X2
V		X2

Step 32



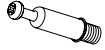

Hardware Needed		
C		X3
Q		X5
R		X5

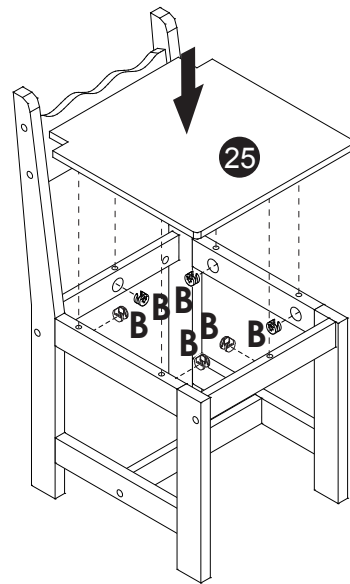
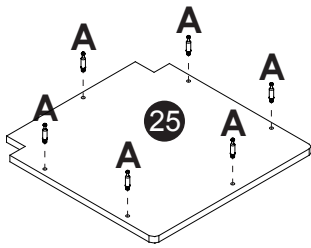
Step 33




Hardware Needed		
C		X3
Q		X5
R		X5

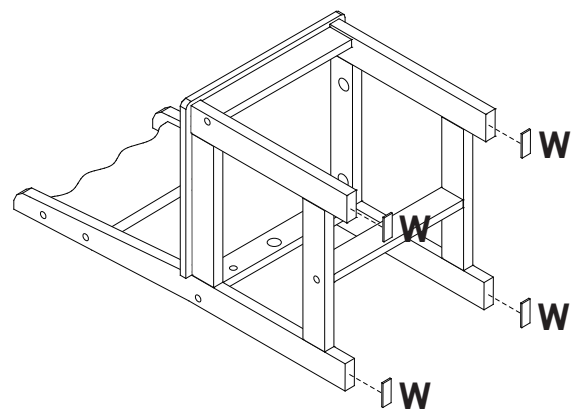
Step 34

Hardware Needed		
A		X6
B		X6



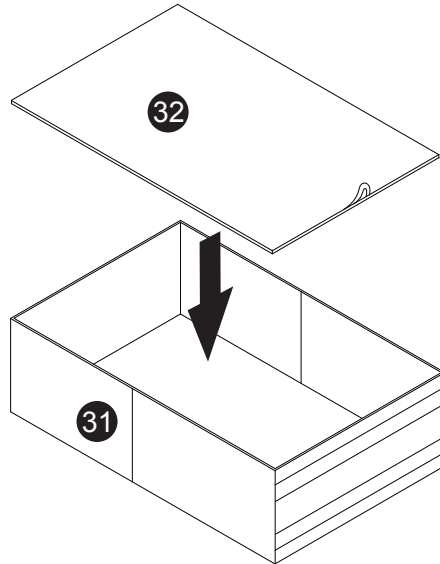
Step 35

Hardware Needed		
W		X4





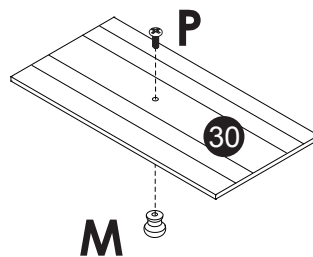
Step 36

TIP:
Open the fabric drawer and put the bottom plate in.



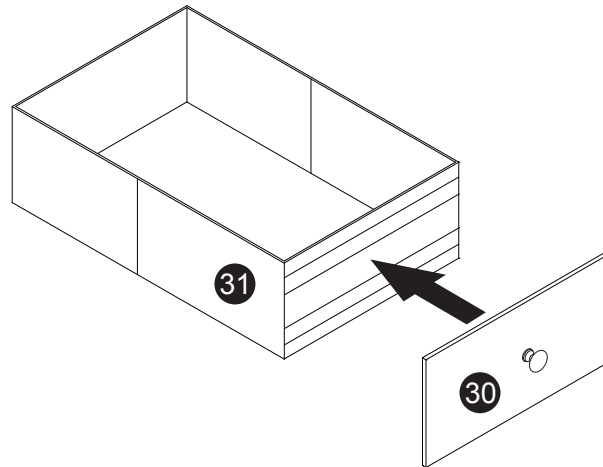
Step 37

Hardware Needed		
M		X1
P		X1

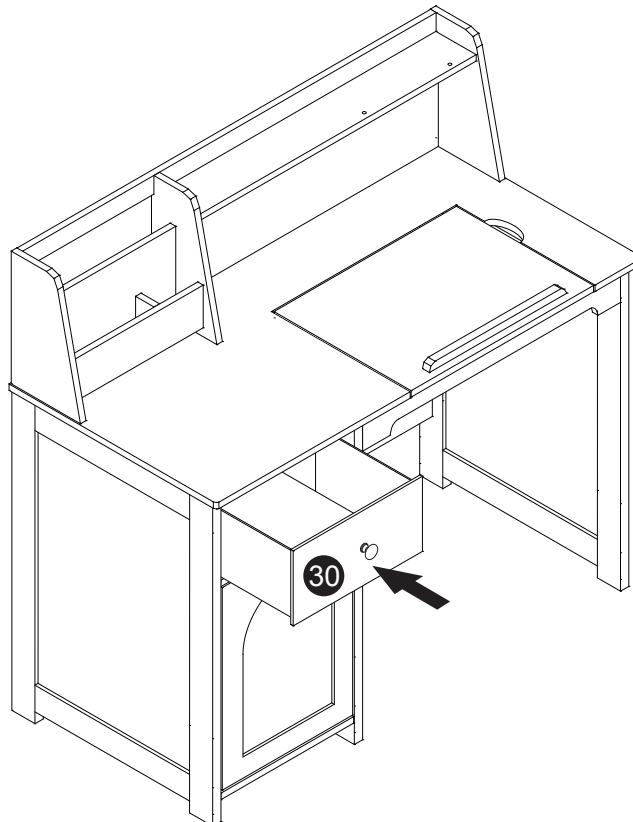


Step 38

TIP:
Glue the drawer fronts to the
fabric drawers



Step 39



Step 40

