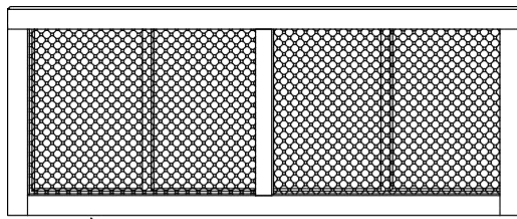
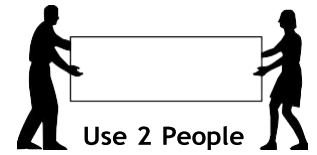


# Queen Headboard

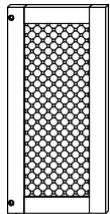
## Assembly Instructions

W11-0419

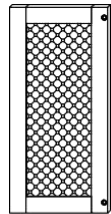
### 1 Parts List



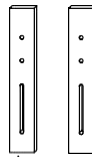
**A** Headboard Panel x 1



**B** Headboard Side Panel (Left hand) x 1



**C** Headboard Side Panel (Right hand) x 1



**D** Support Bar x 2

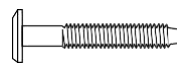


**Note:** Do not assemble using power tools. This can cause the bolts to be overtightened

### 2 Hardware List



**1** M6 x 60mm JCB x 4



**2** M6 x 35mm JCB x 4



**3** Barrel Nut x 4



**4** Wood Dowel (M10 x 40mm) x 4



**5** Spring Washer x 4

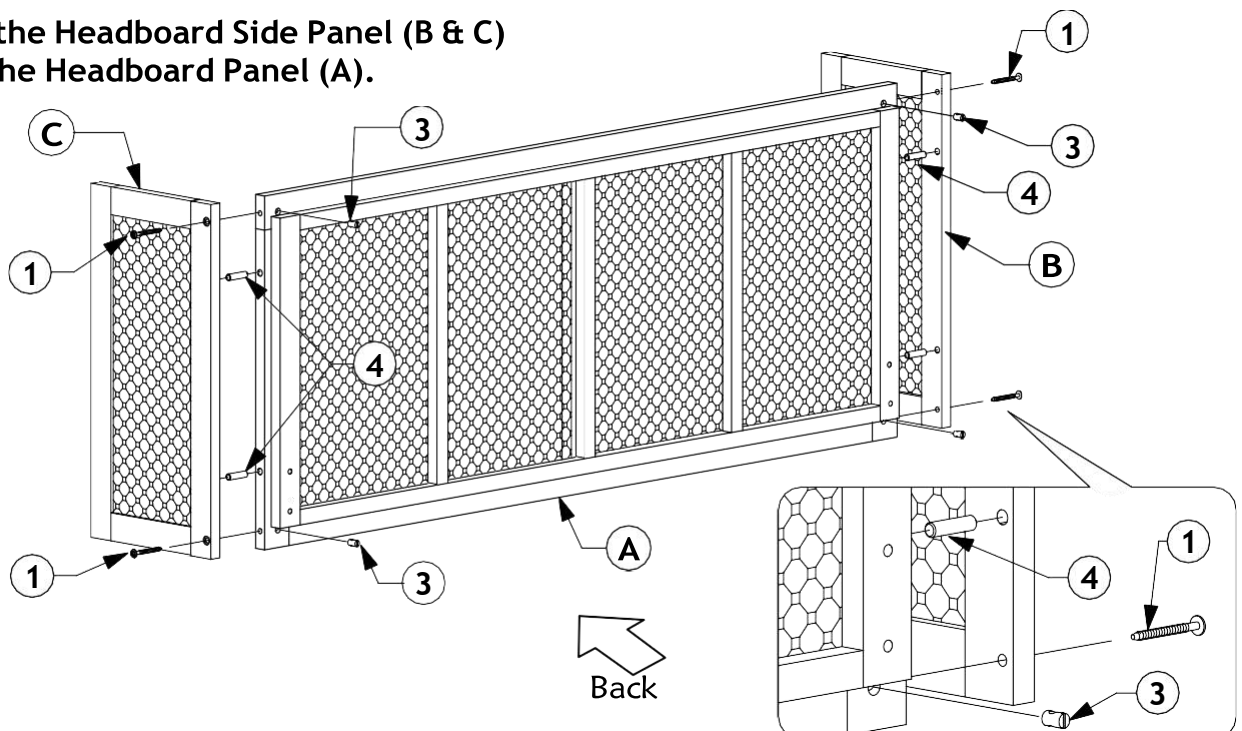


**6** Flat Washer x 4



**7** M4 Allen Key x 1

### 3 Fit the Headboard Side Panel (B & C) to the Headboard Panel (A).

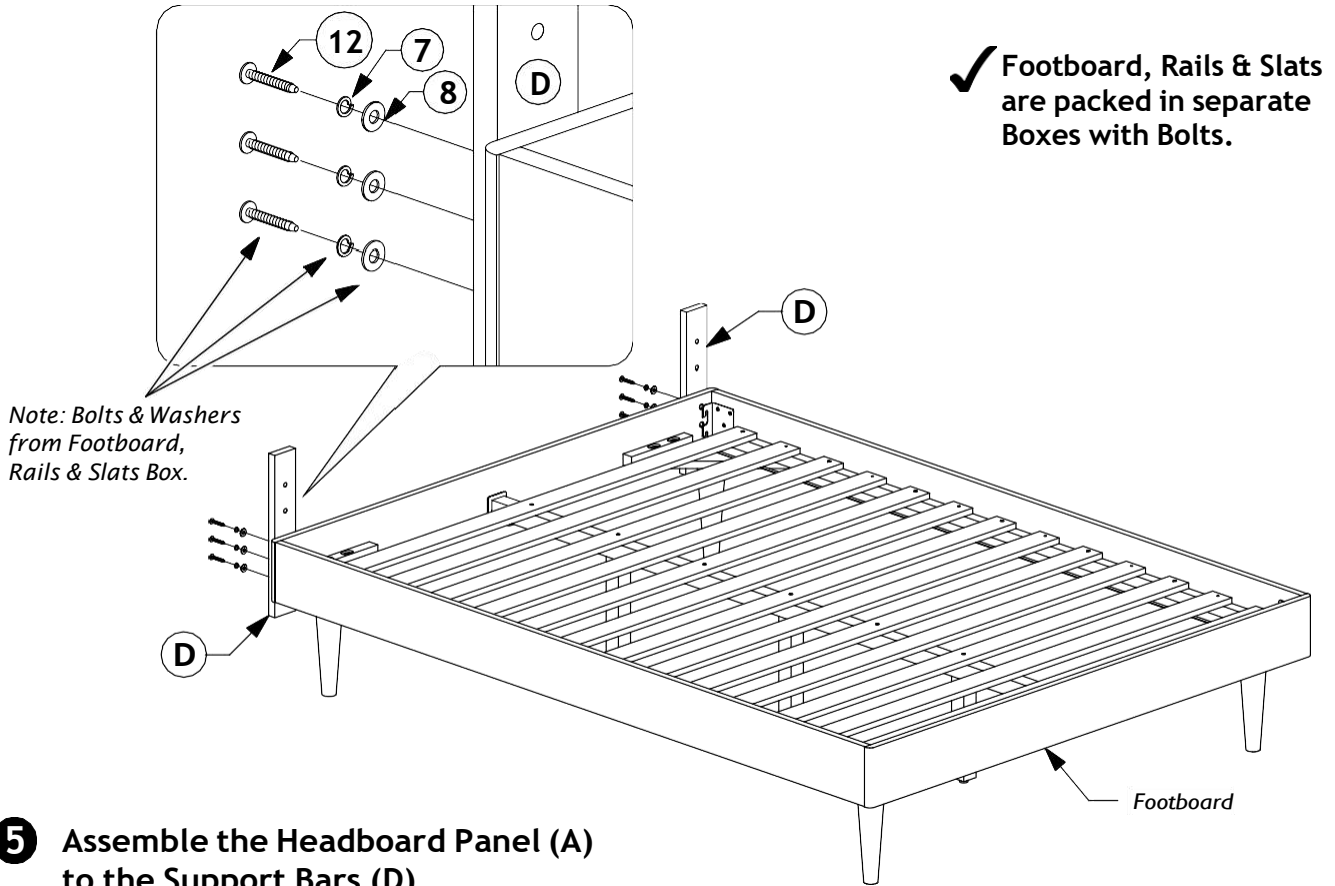


# 97151 Full / Queen Headboard

## Assembly Instructions

W11-0419

### 4 Assemble the Support Bars (D) to the Headboard Panel.



### 5 Assemble the Headboard Panel (A) to the Support Bars (D).

