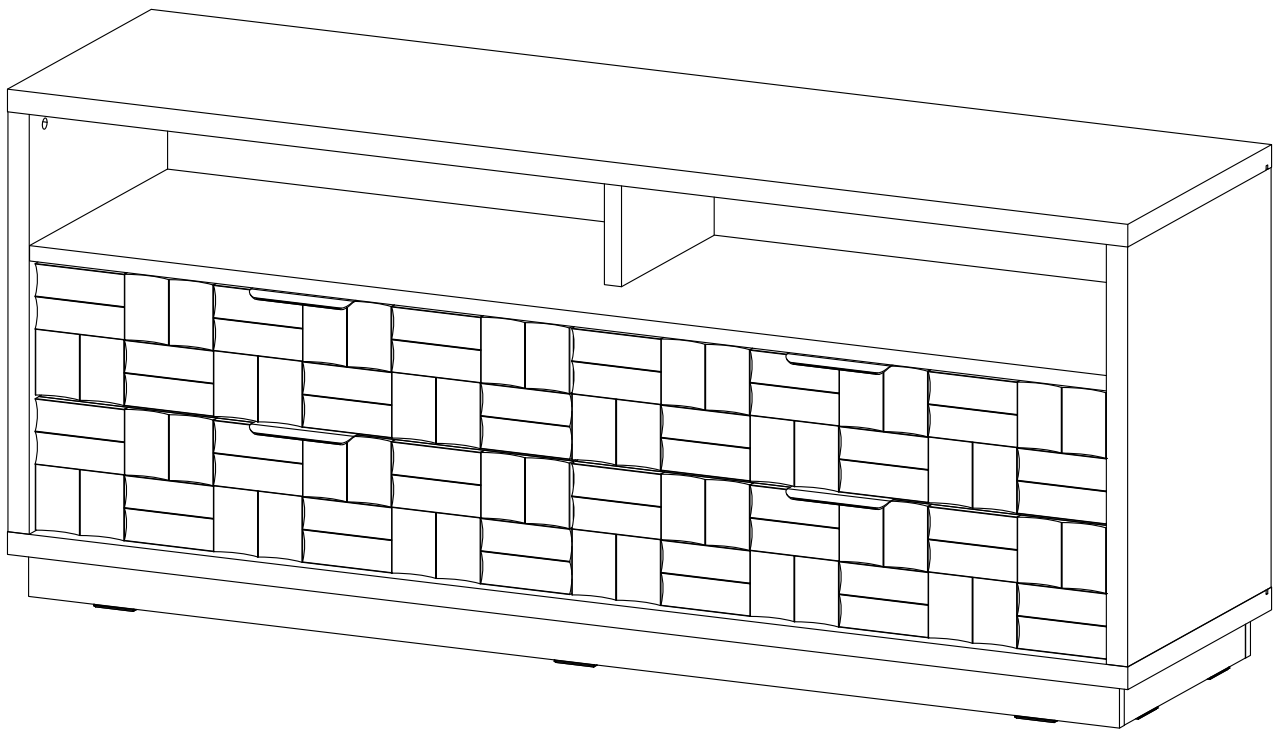
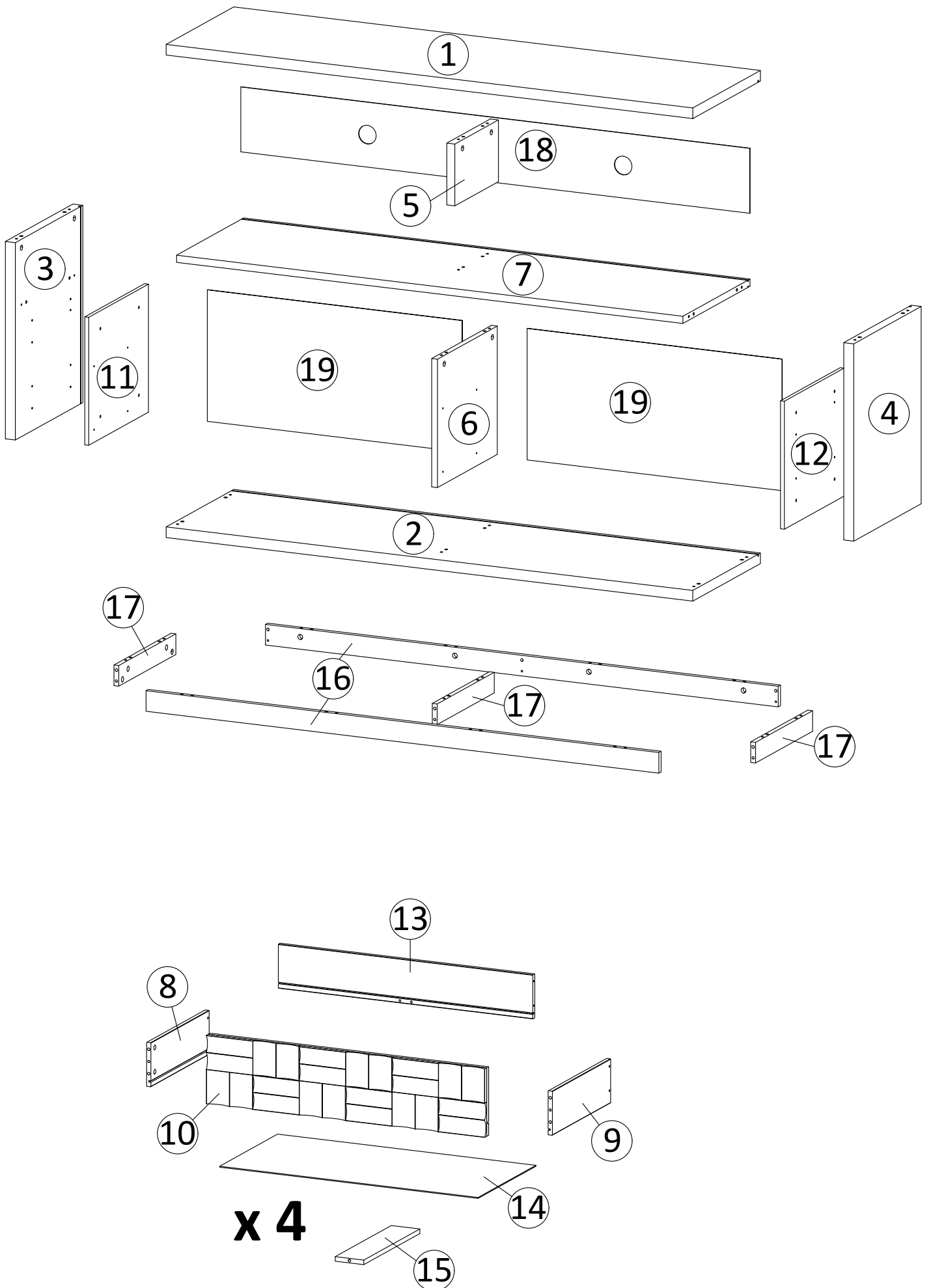


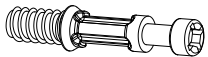
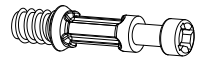
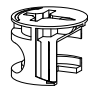


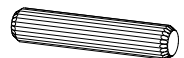


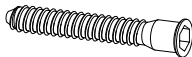


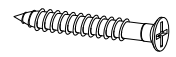


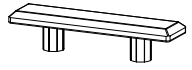
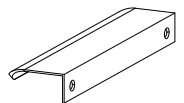
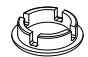
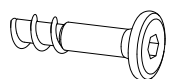
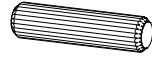

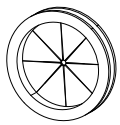
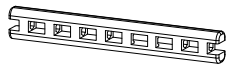
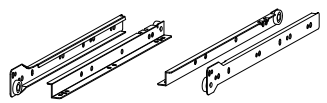
ASSEMBLY INSTRUCTIONS

1340047



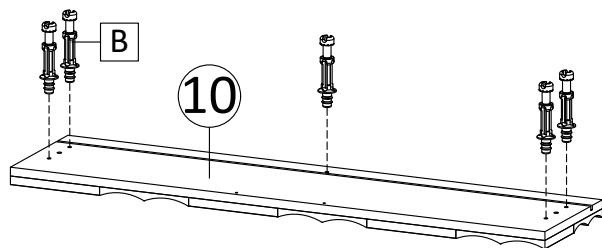
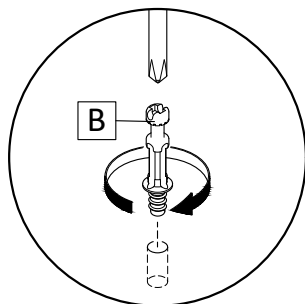
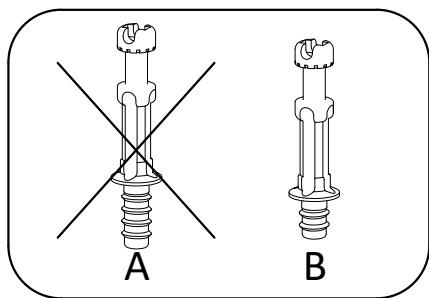


Hardware

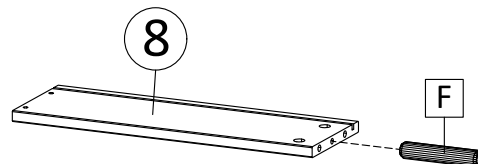
<p>A x 32</p>  <p>Ø6 x 35 mm</p>	<p>B x 20</p>  <p>Ø6 x 32 mm</p>	<p>C x 32</p>  <p>Ø15 mm</p>	<p>D x 20</p>  <p>Ø12 mm</p>
<p>E x 32</p>  <p>Ø8 x 30 mm</p>	<p>F x 8</p>  <p>Ø6 x 30 mm</p>	<p>G x 8</p>  <p>Ø10 x 50 mm</p>	<p>H x 2</p>  <p>L 4</p>
<p>I x 8</p>  <p>M 7 x 50 mm</p>	<p>J x 16</p>  <p>M 6 x 10.5 mm</p>	<p>K x 32</p>  <p>M 3.5 x 13 mm</p>	<p>L x 24</p>  <p>M 4 x 39 mm</p>
<p>M x 34</p>  <p>M 3.5 x 15.5 mm</p>	<p>N x 34</p> 	<p>O x 12</p> 	<p>P x 4</p> 
<p>Q x 6</p>  <p>Ø15 mm</p>	<p>R x 8</p>  <p>M 6.4 x 25 mm</p>	<p>S x 8</p>  <p>Ø5 x 20 mm</p>	<p>T x 1</p> 
<p>U x 2</p> 	<p>V x 1</p> 	<p>RM35A x 4</p>  <p>350 mm</p>	

 <p>SET-UP TIME : 60 MINUTES</p>	 <p>NUMBER OF PERSONS : 02</p>	 <p>TOOLS : </p>
---	--	---

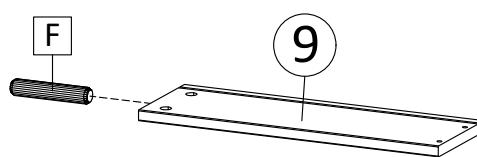
1



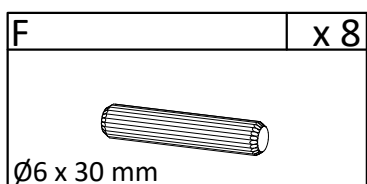
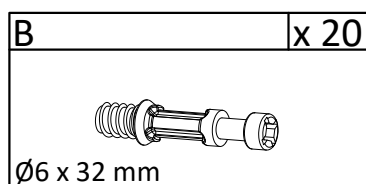
x 4



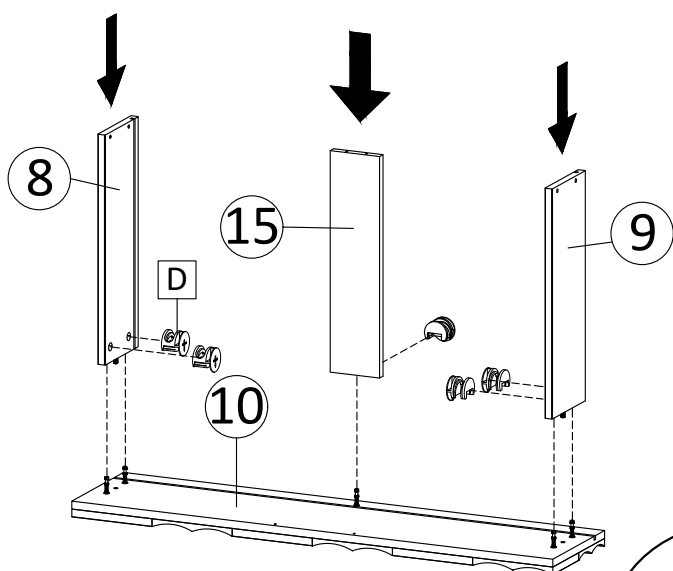
x 4



x 4

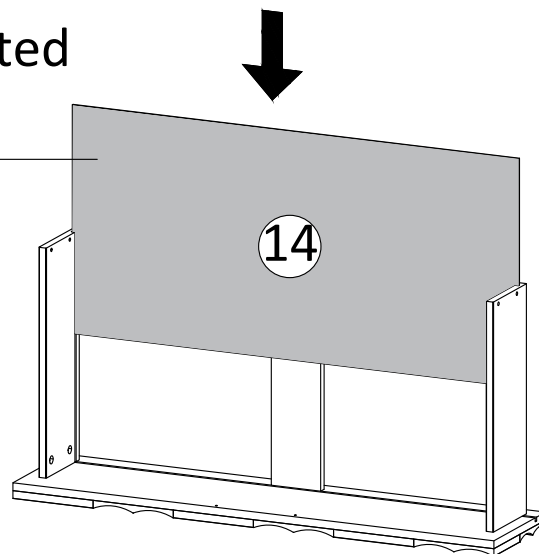


2

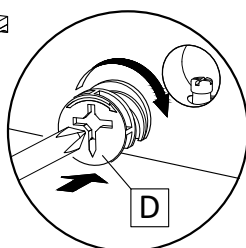
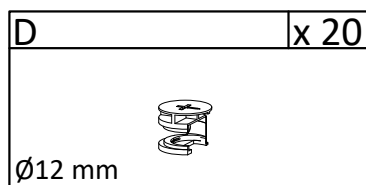


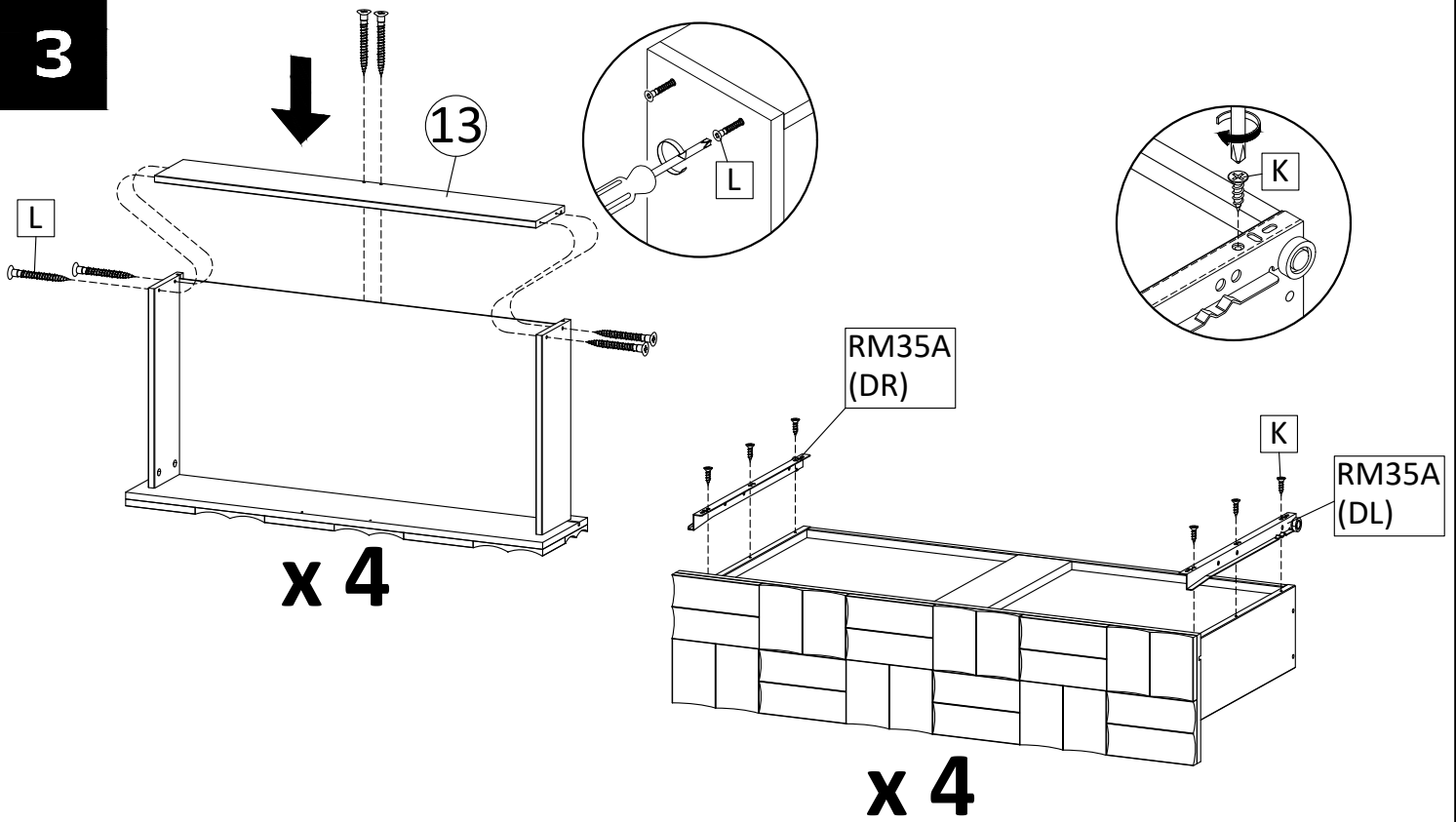
x 4


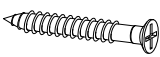
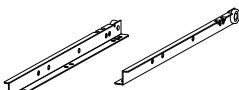
Laminated

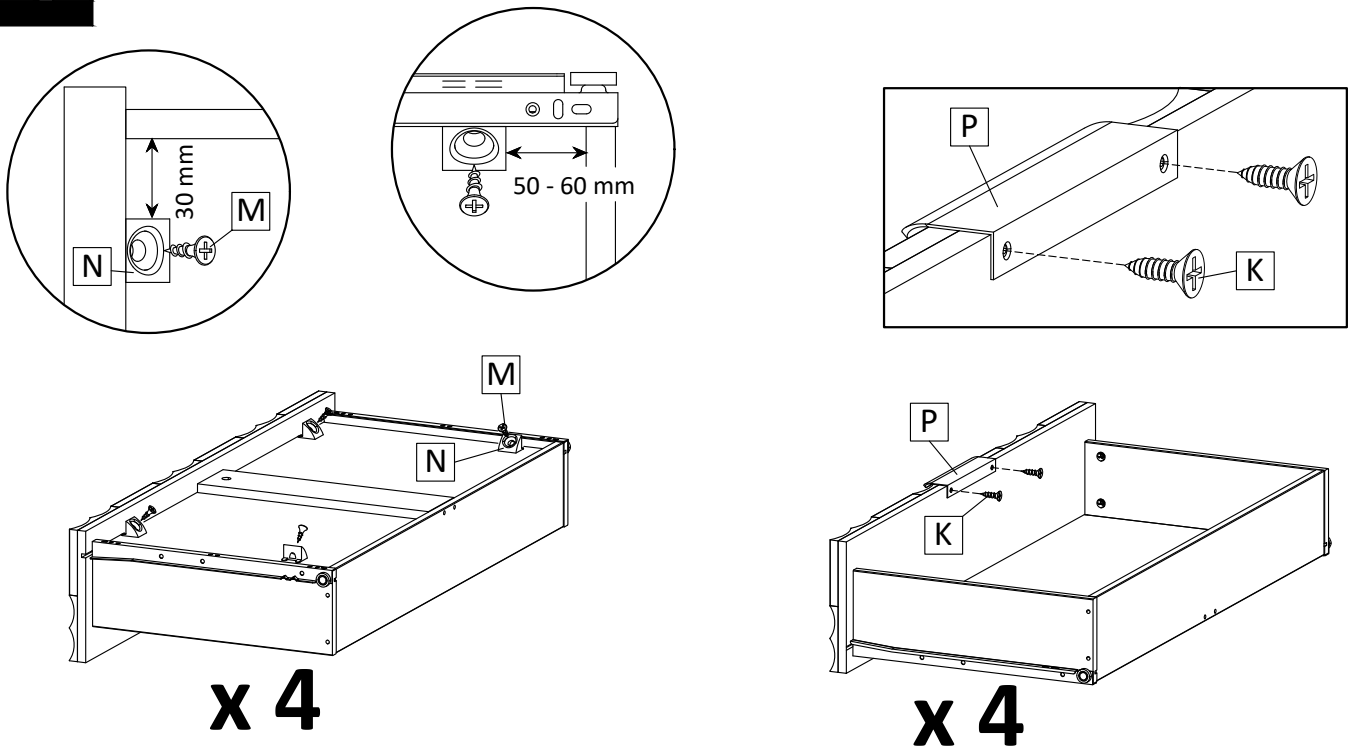





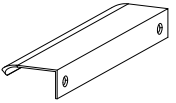
x 4



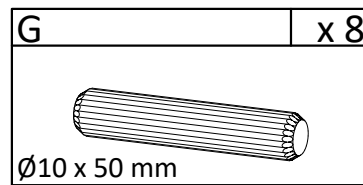
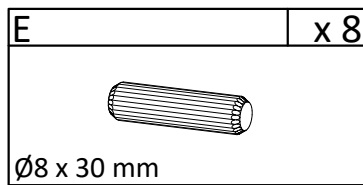
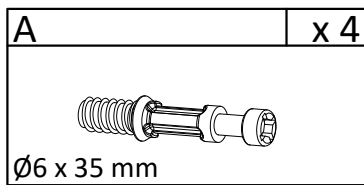
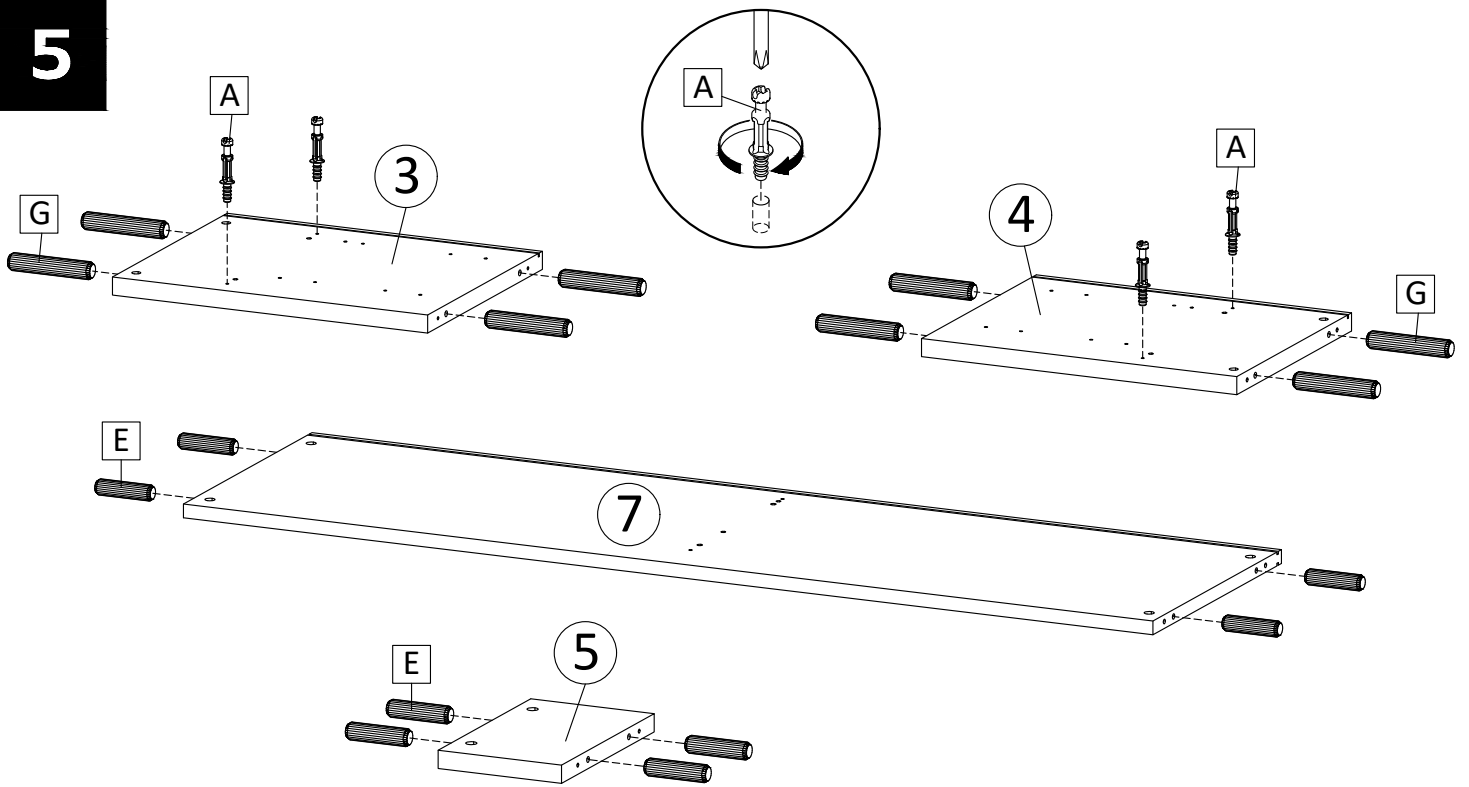
3

K	x 24	L	x 24	RM35A	x 2
 M 3.5 x 13 mm		 M 4 x 39 mm		 350 mm	

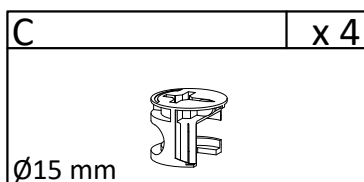
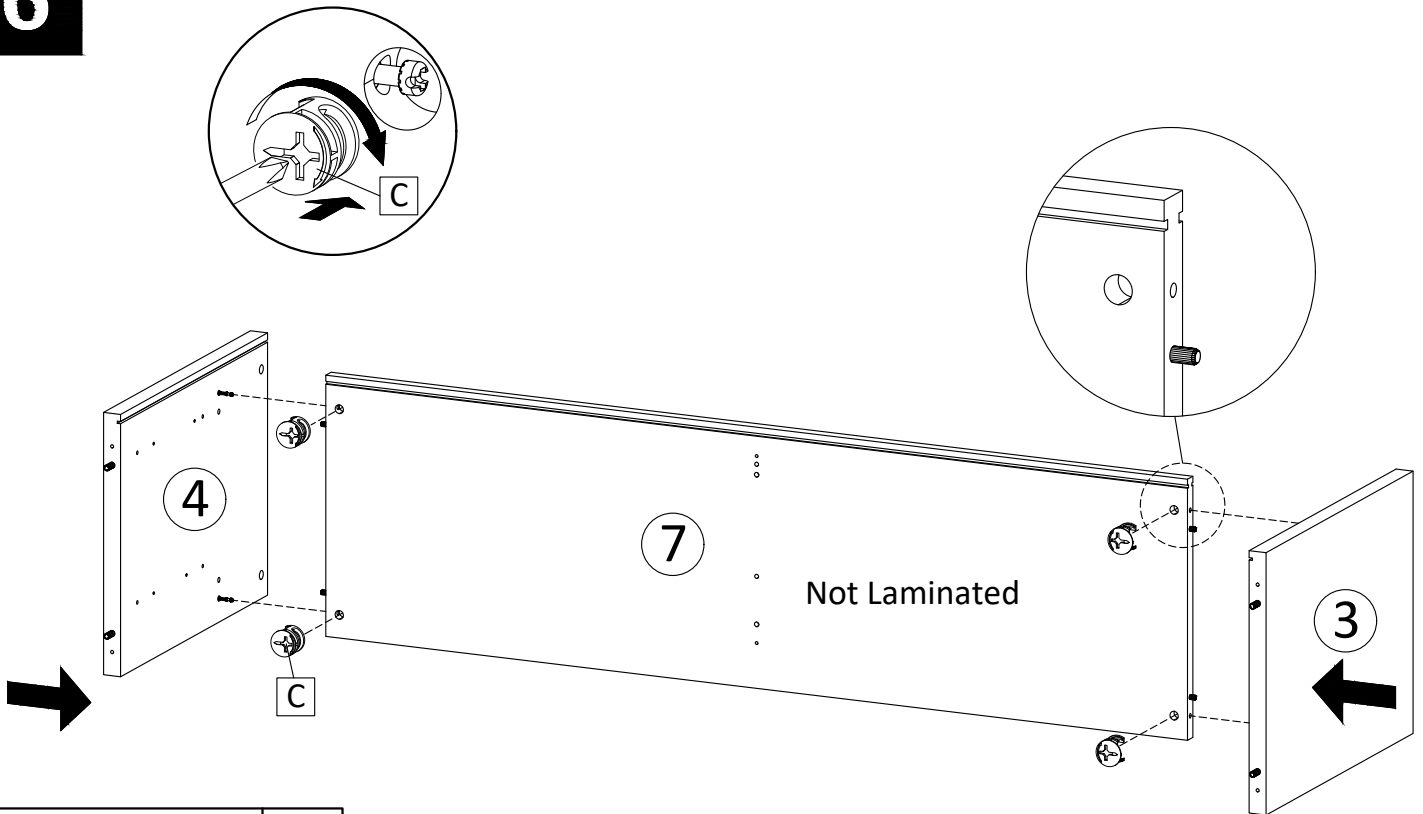
4

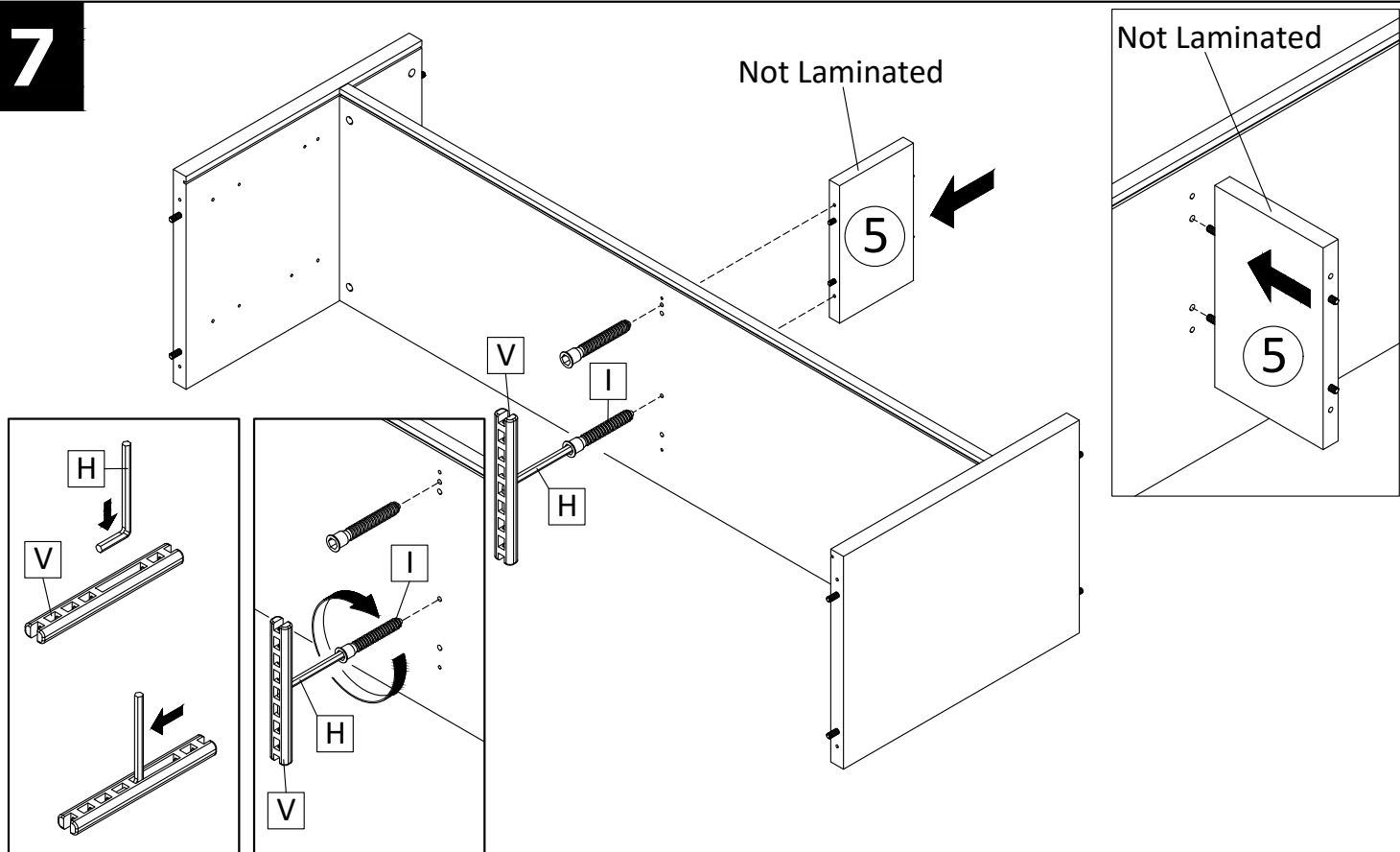
K	x 8	M	x 16	N	x 16	P	x 4
 M 3.5 x 13 mm		 M 3.5 x 15.5 mm					


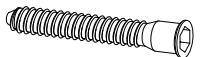
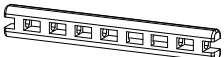
5

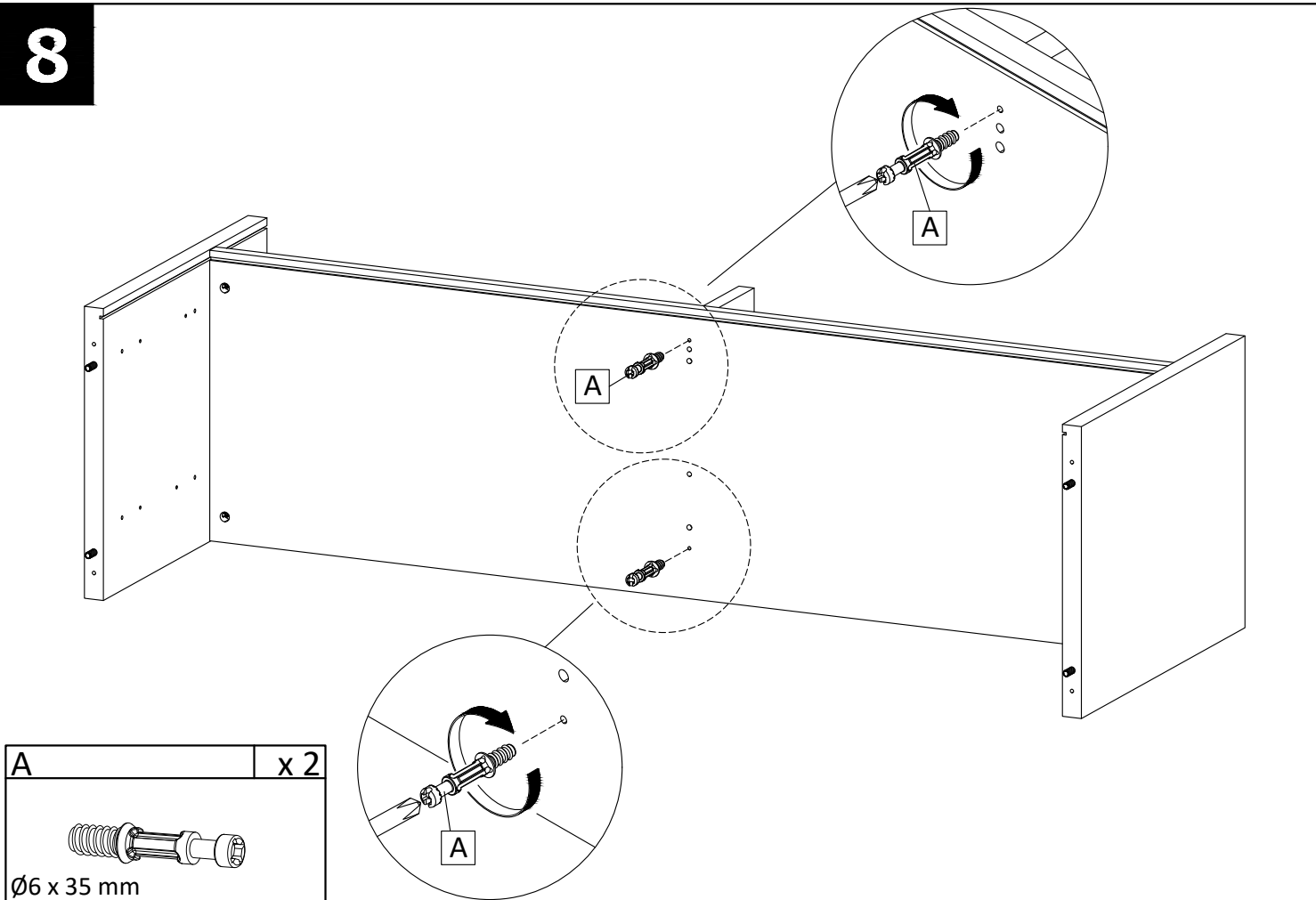


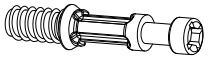
6



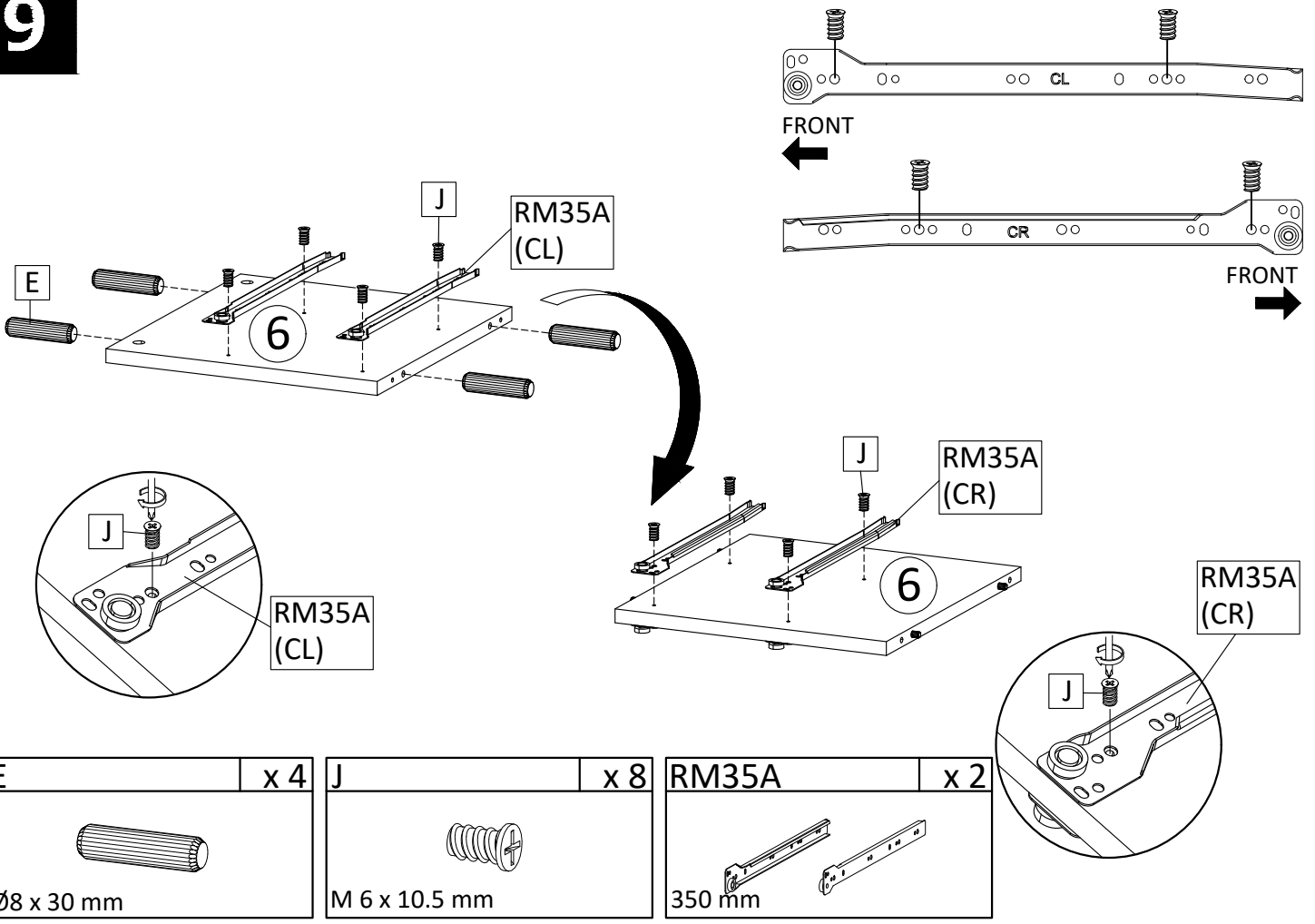
7

H	x 1	I	x 2	V	x 1
 L 4		 M 7 x 50 mm			

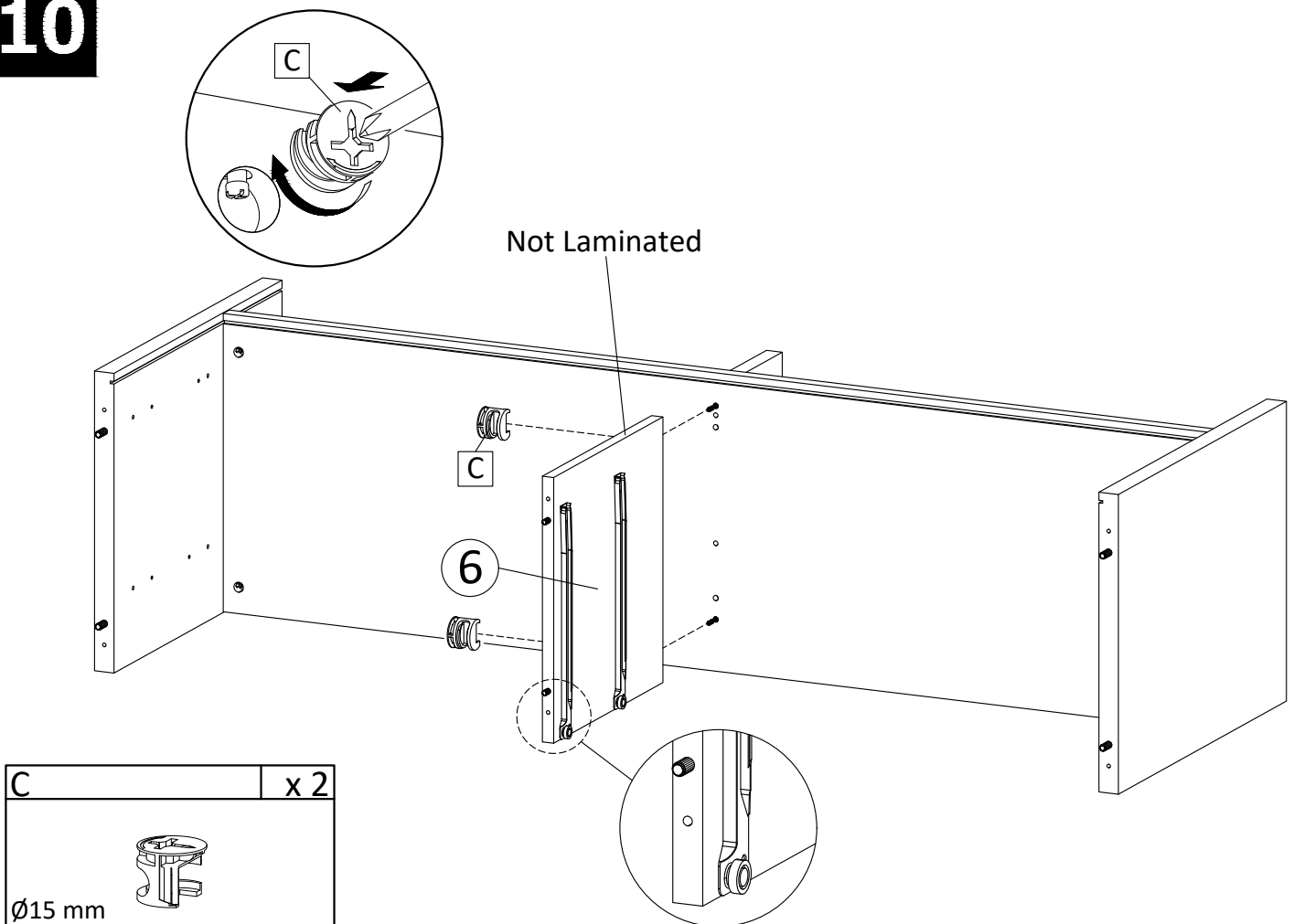
8

A	x 2
 Ø6 x 35 mm	

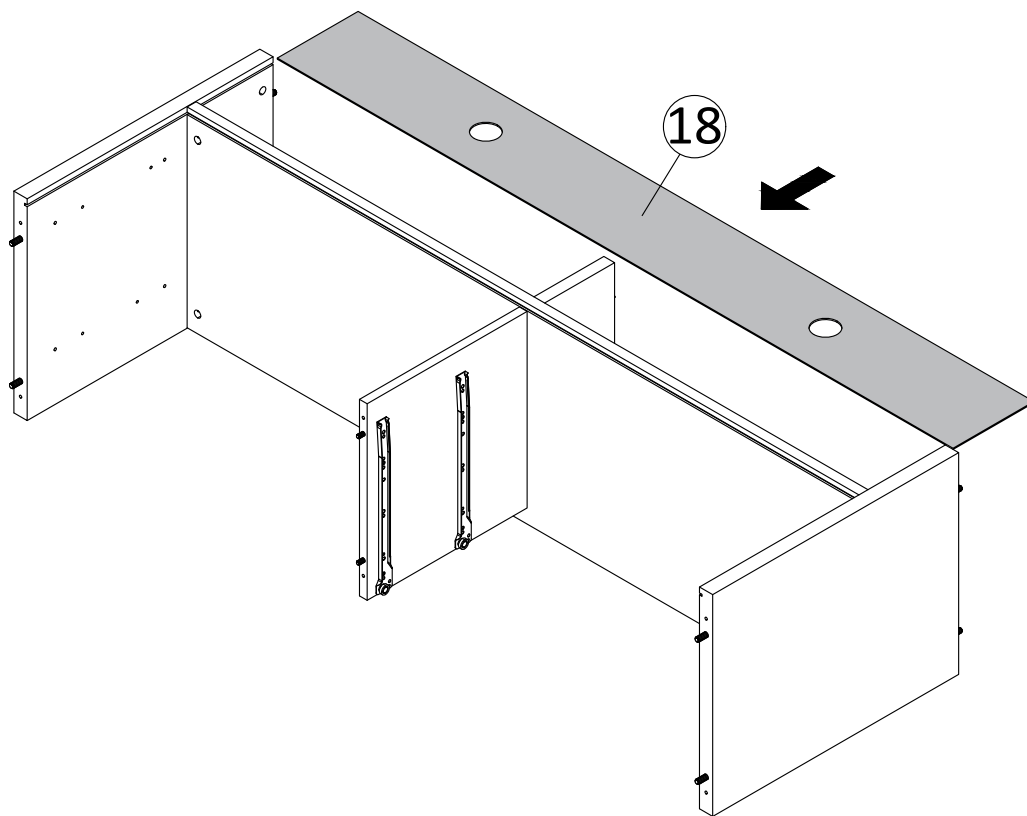
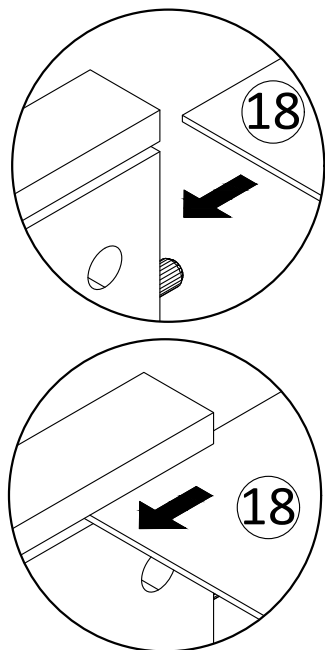
9



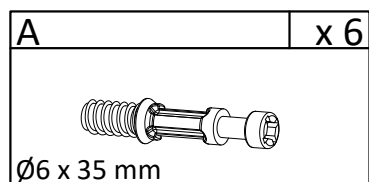
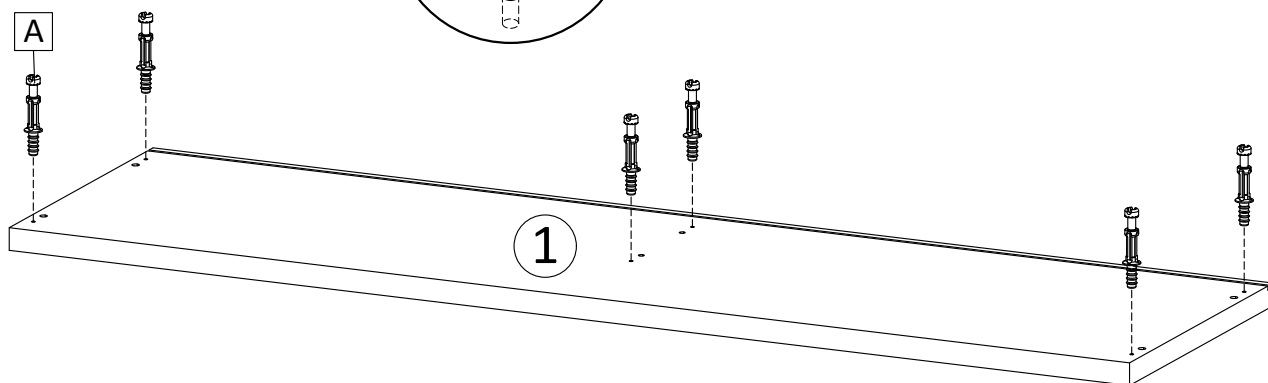
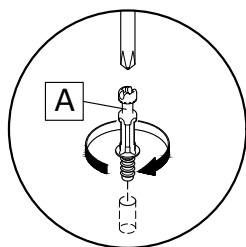
10



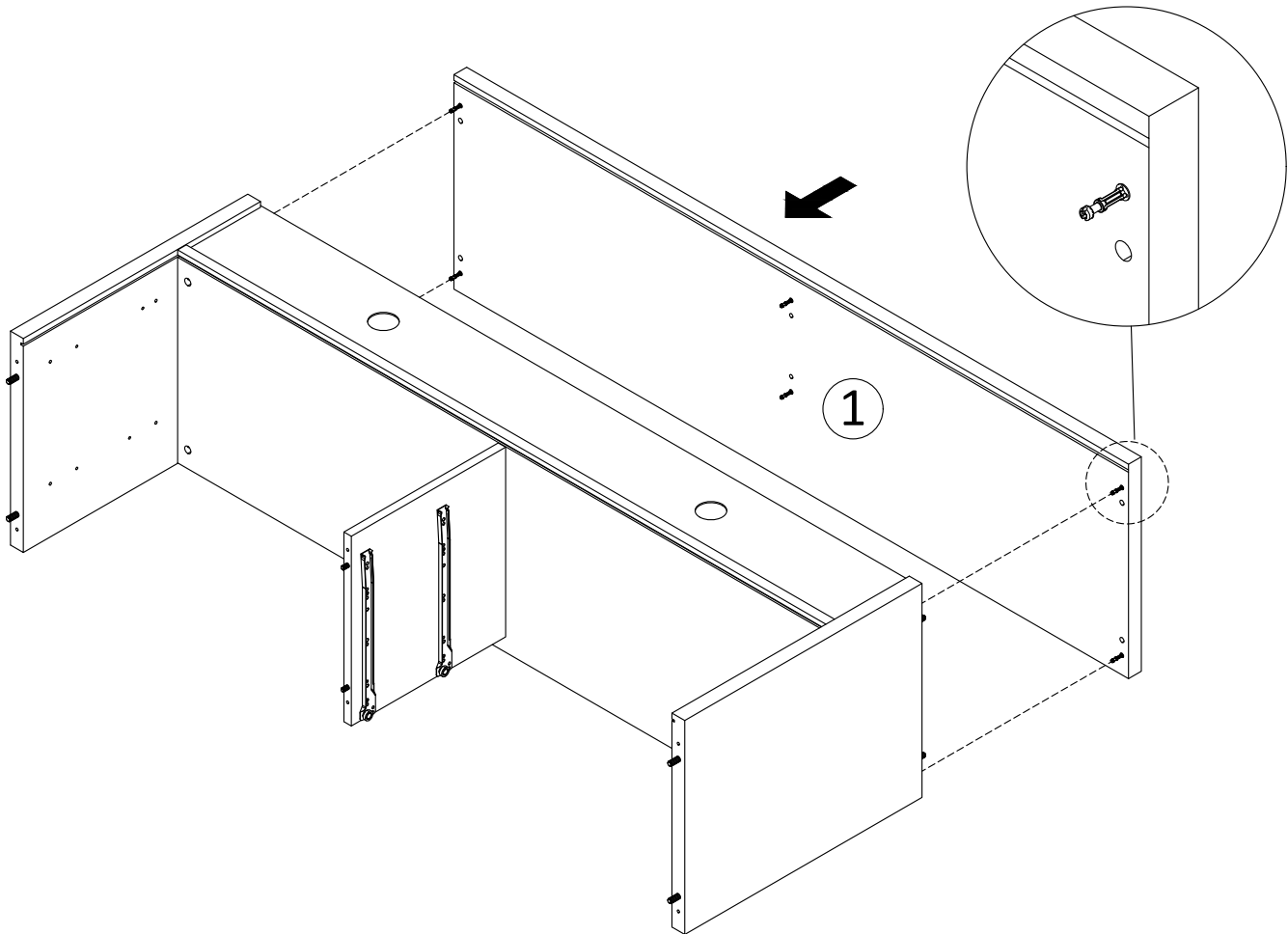
11



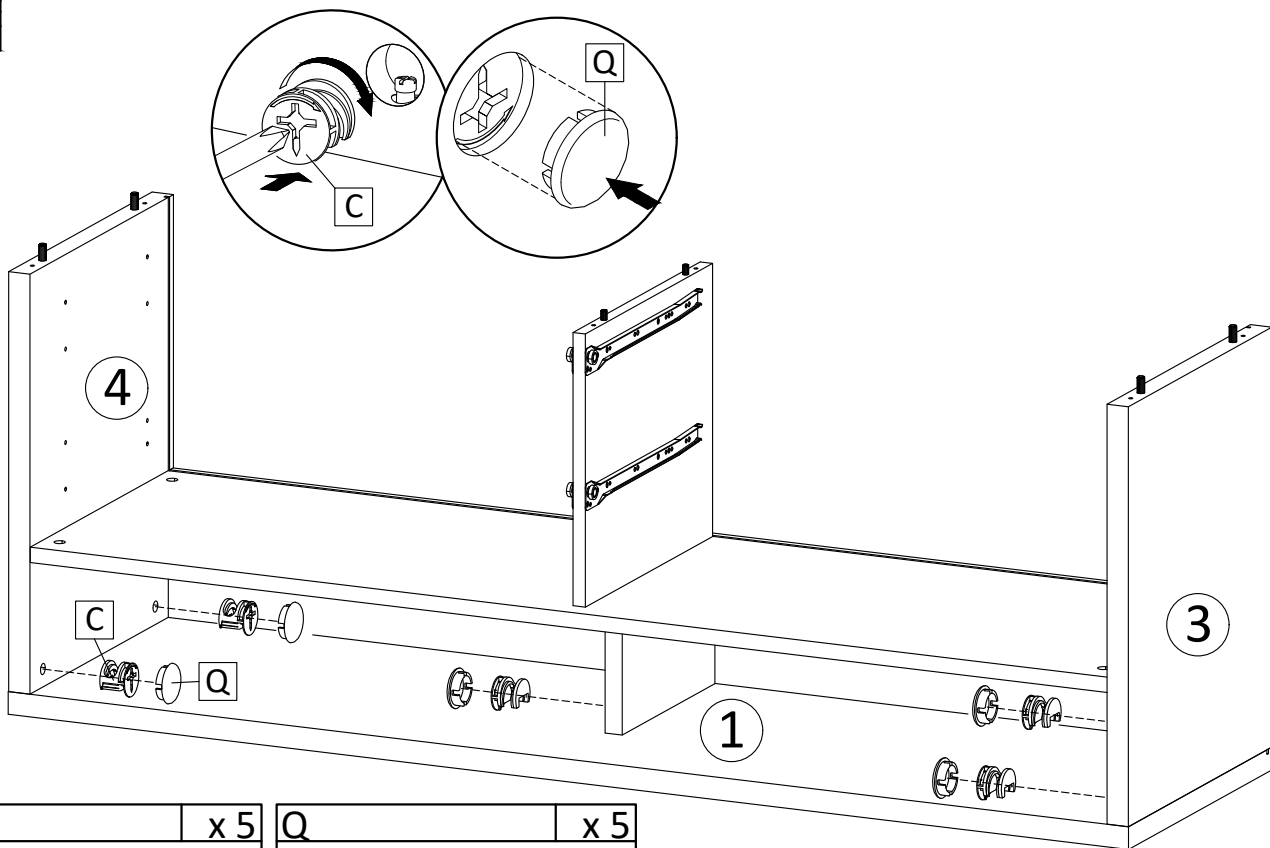
12



13



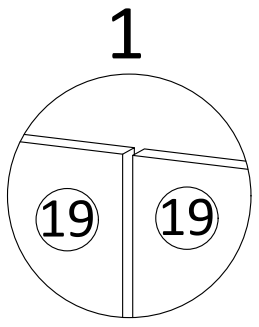
14



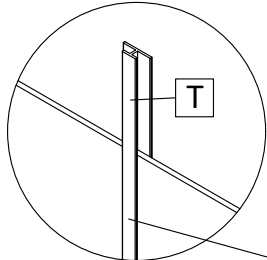
C	x 5
Ø15 mm	

Q	x 5
Ø15 mm	

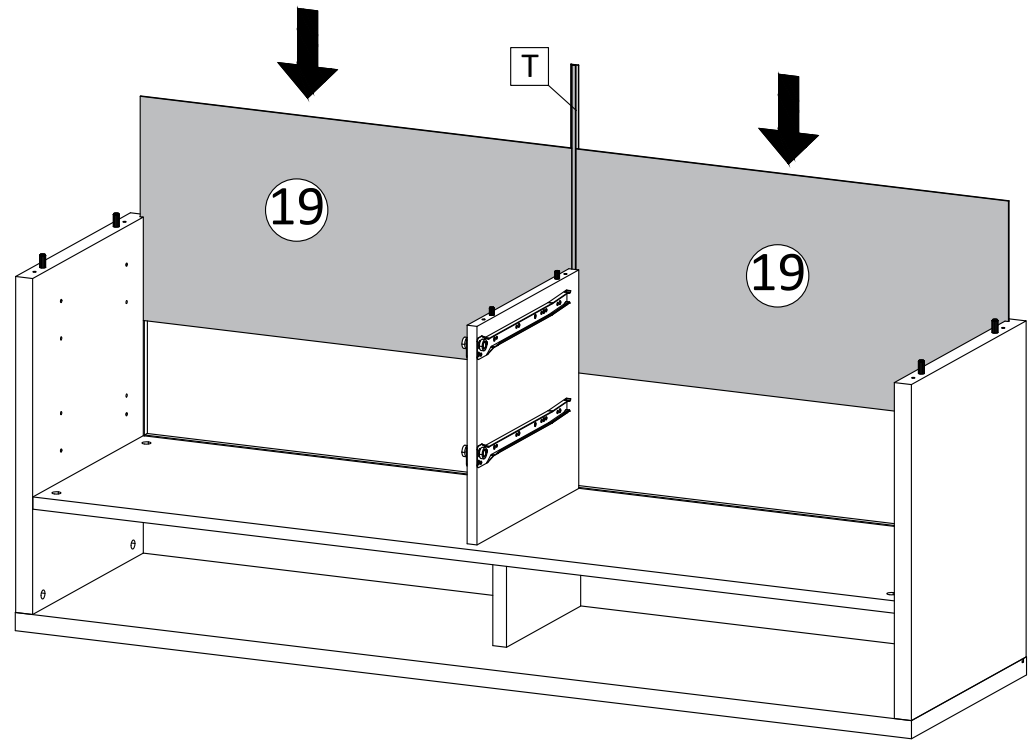
15



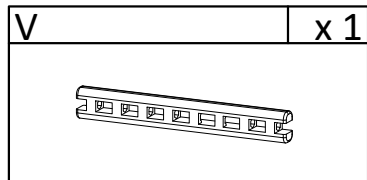
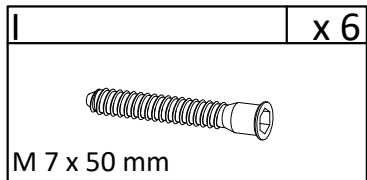
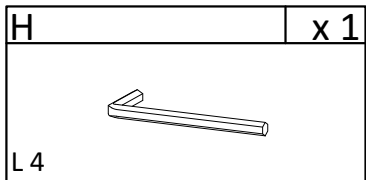
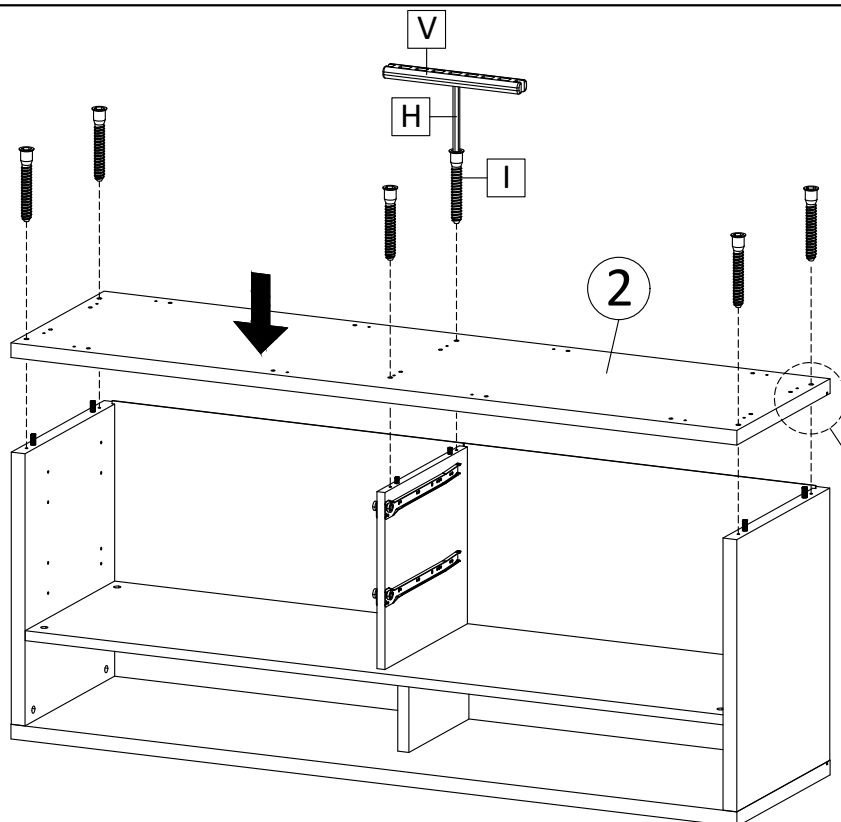
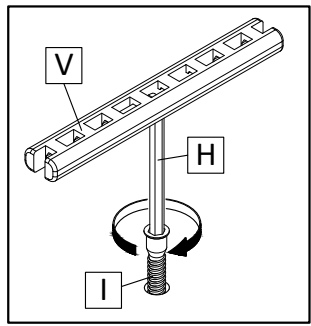
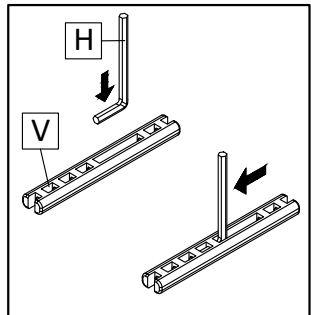
2



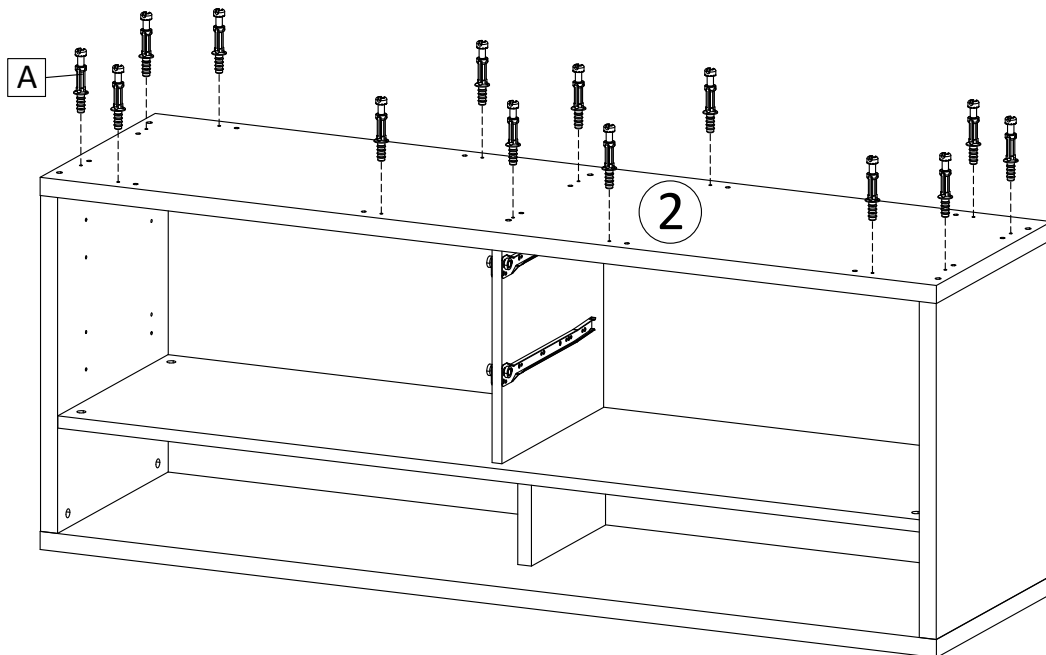
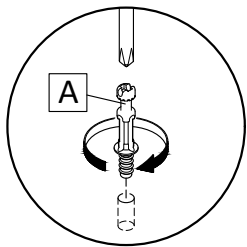
Laminated

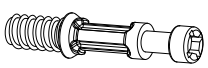


16

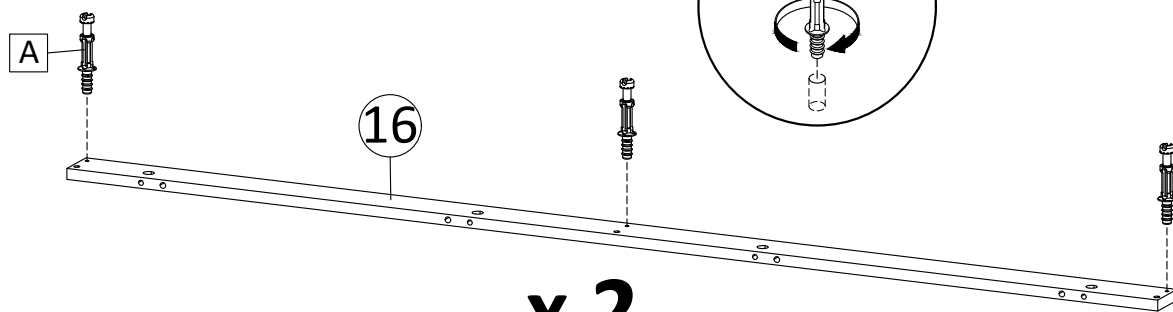
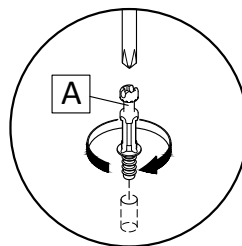


17

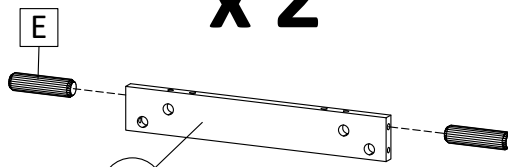


A	x 14
	
$\text{\O}6 \times 35 \text{ mm}$	

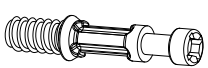
18

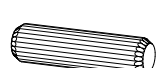


x 2

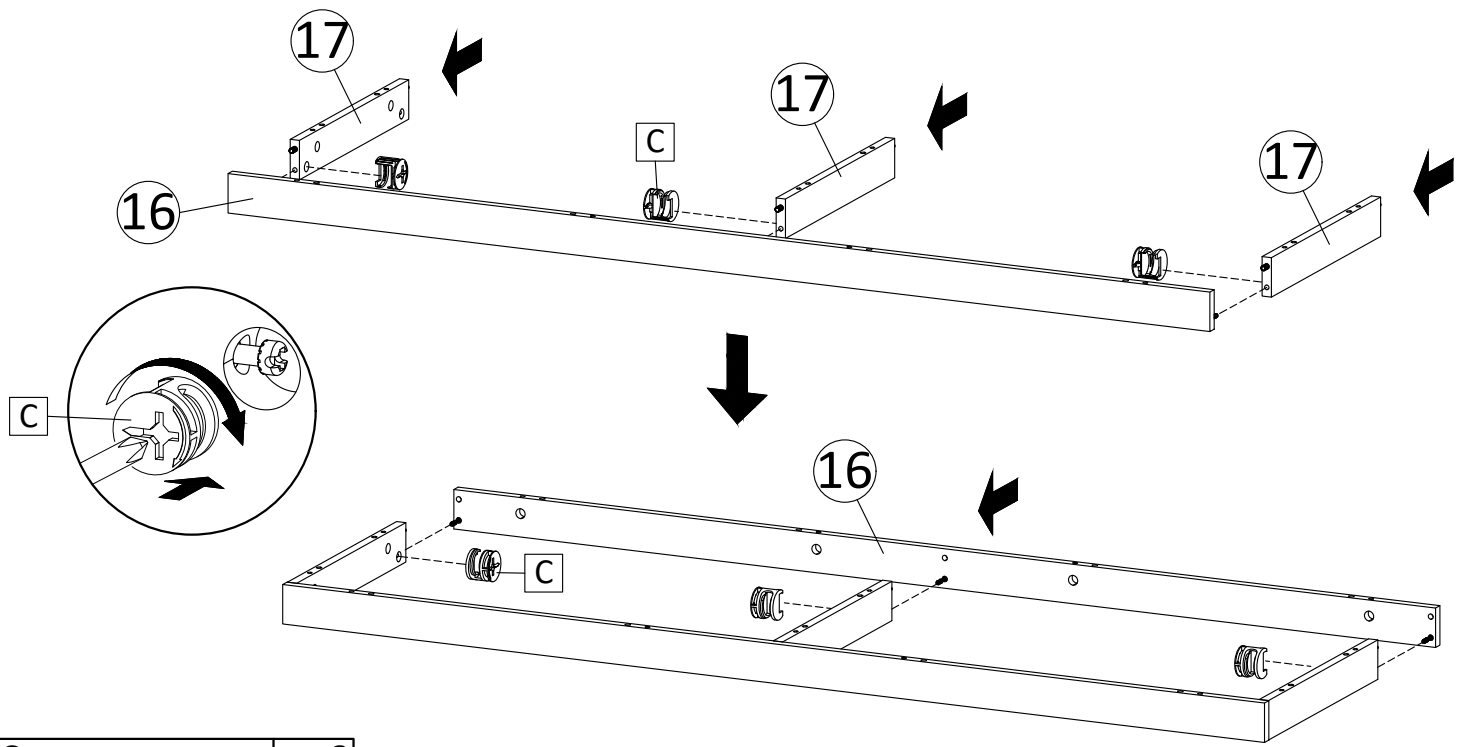


x 3


A	x 6
	
$\text{\O}6 \times 35 \text{ mm}$	

E	x 6
	
$\text{\O}8 \times 30 \text{ mm}$	

19

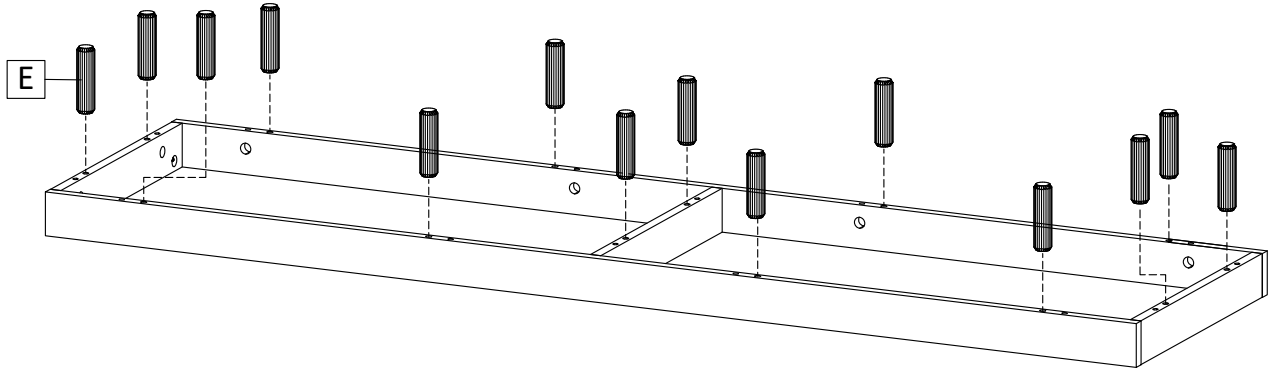


C	x 6
---	-----




Ø15 mm

20

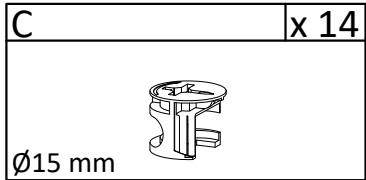
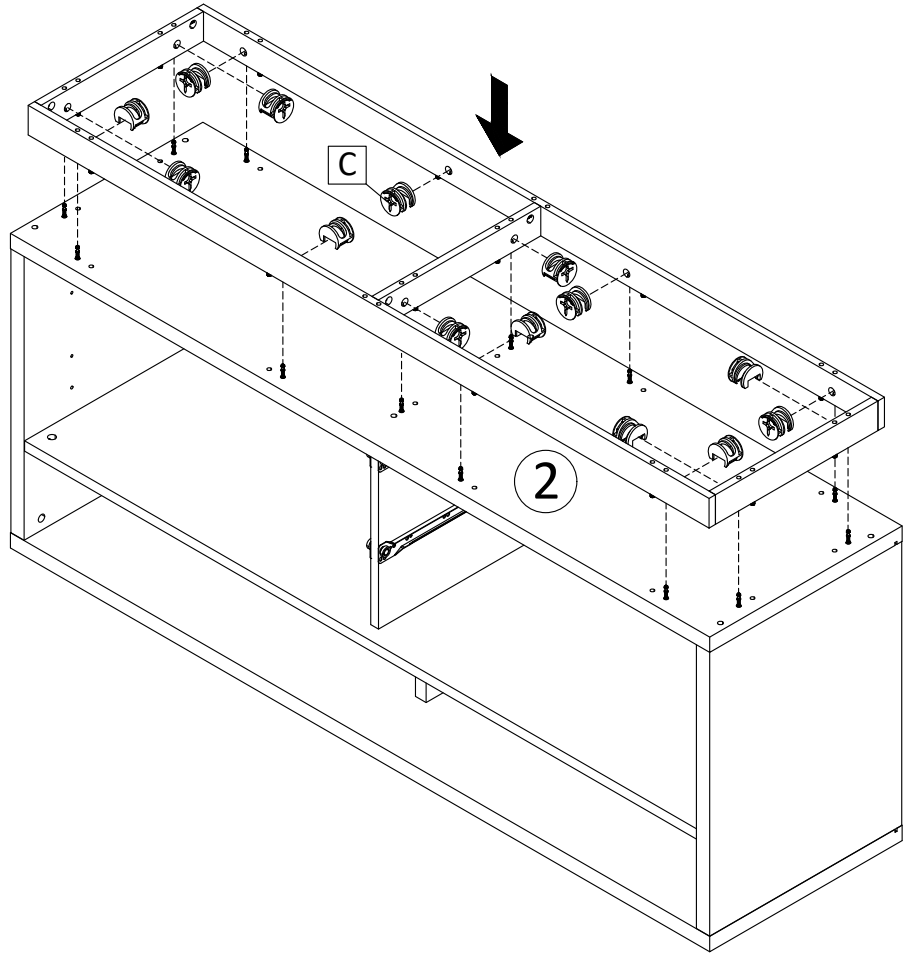
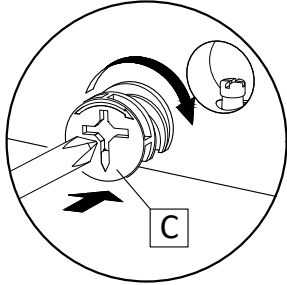


E	x 14
---	------

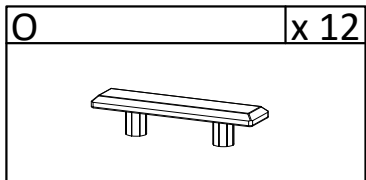
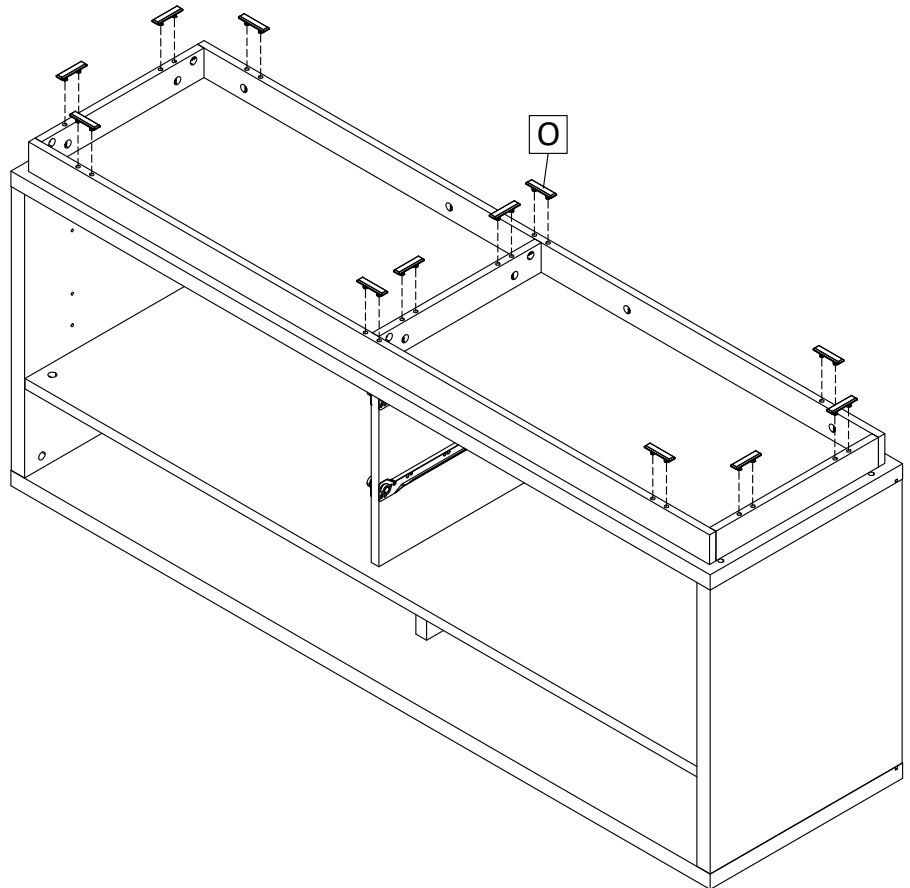
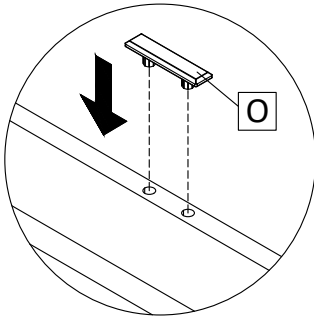


Ø8 x 30 mm

21

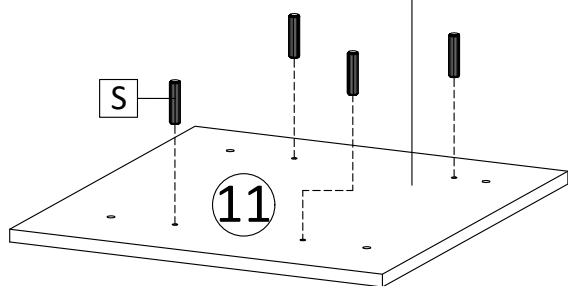


22

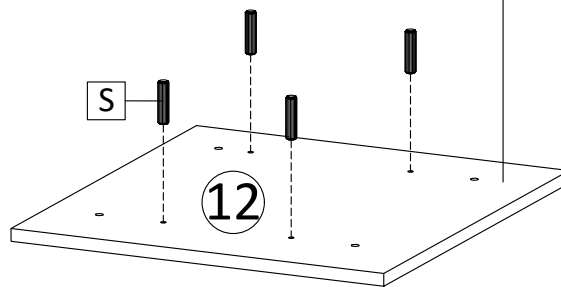


23

Not Laminated



Not Laminated

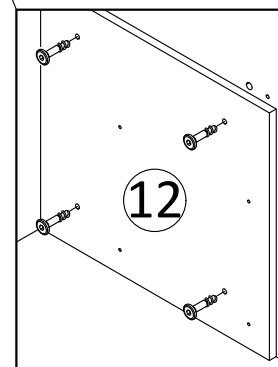
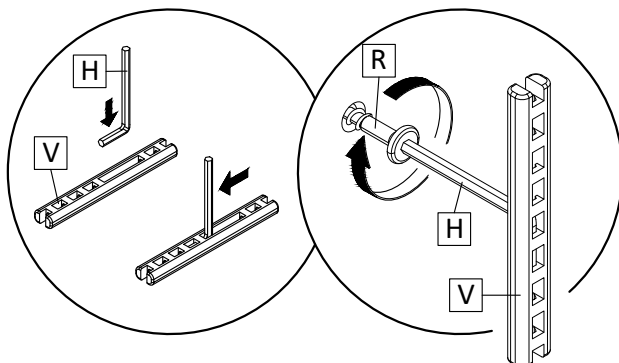
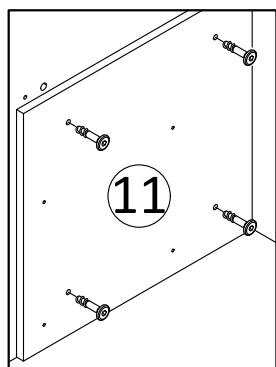
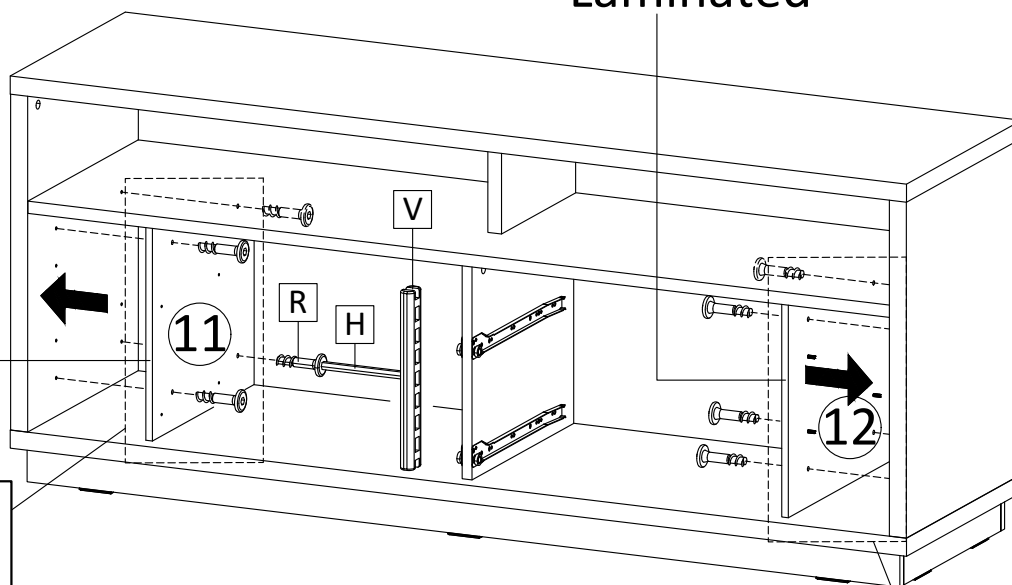


S	x 8
<p>Ø5 x 20 mm</p>	

24

Laminated

Laminated

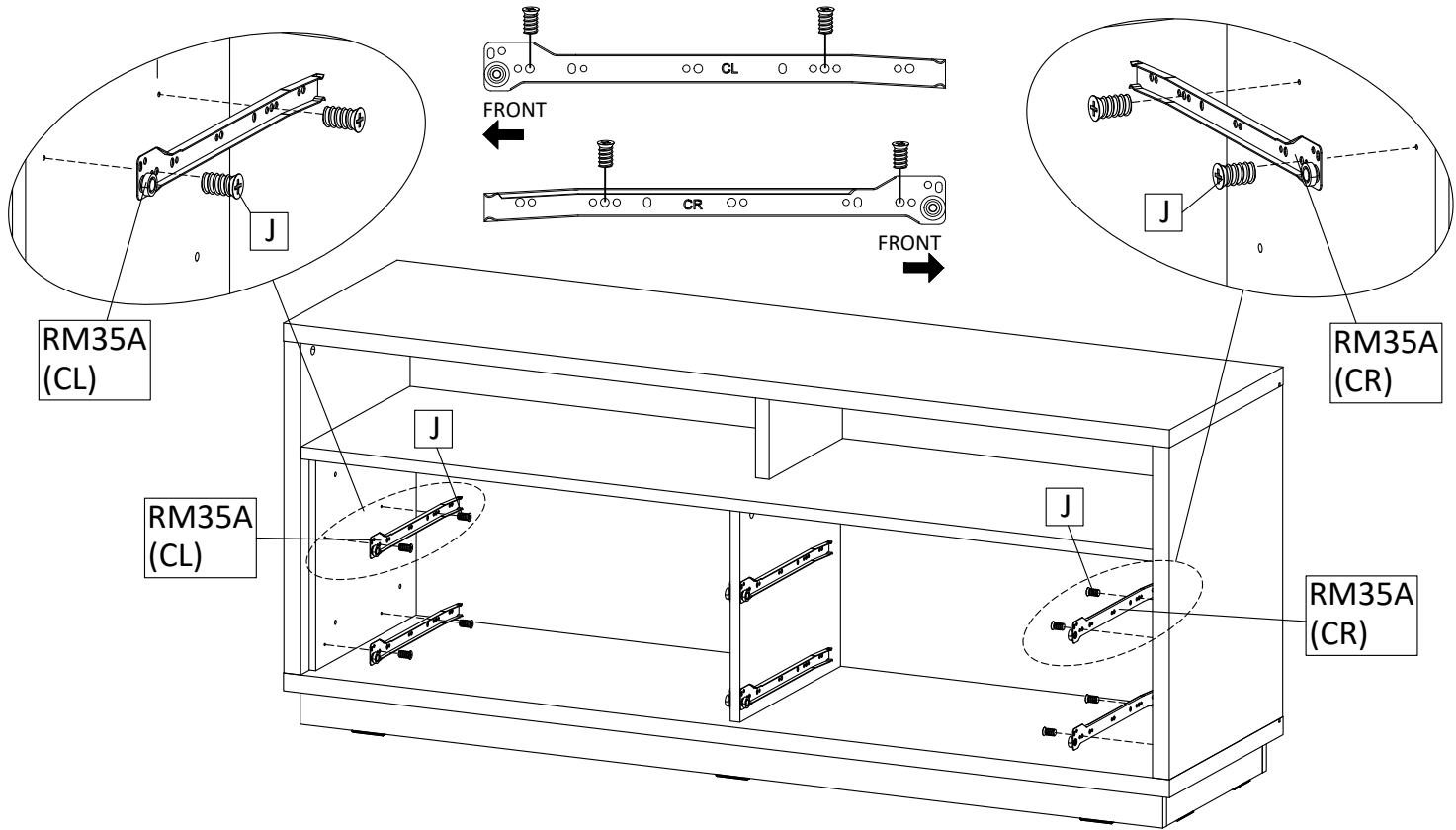


H	x 1
<p>L 4</p>	

R	x 8
<p>M 6.4 x 25 mm</p>	

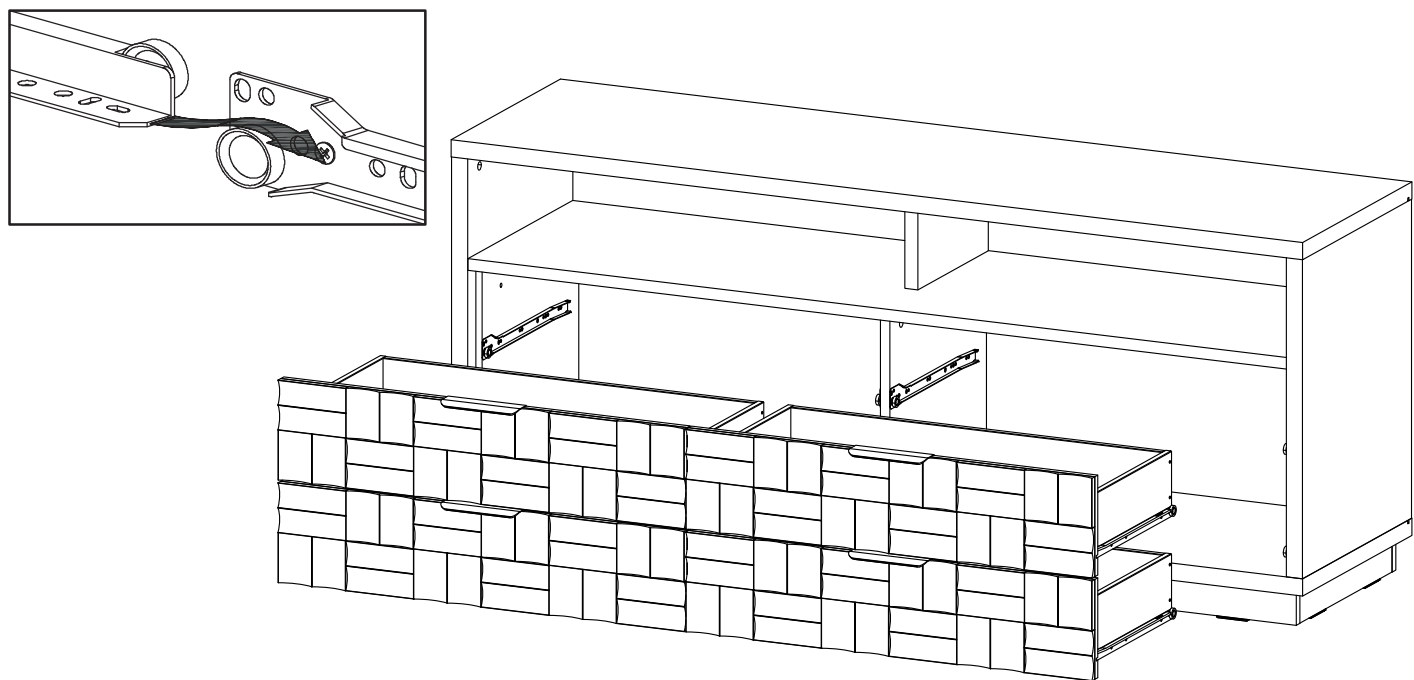
V	x 1

25

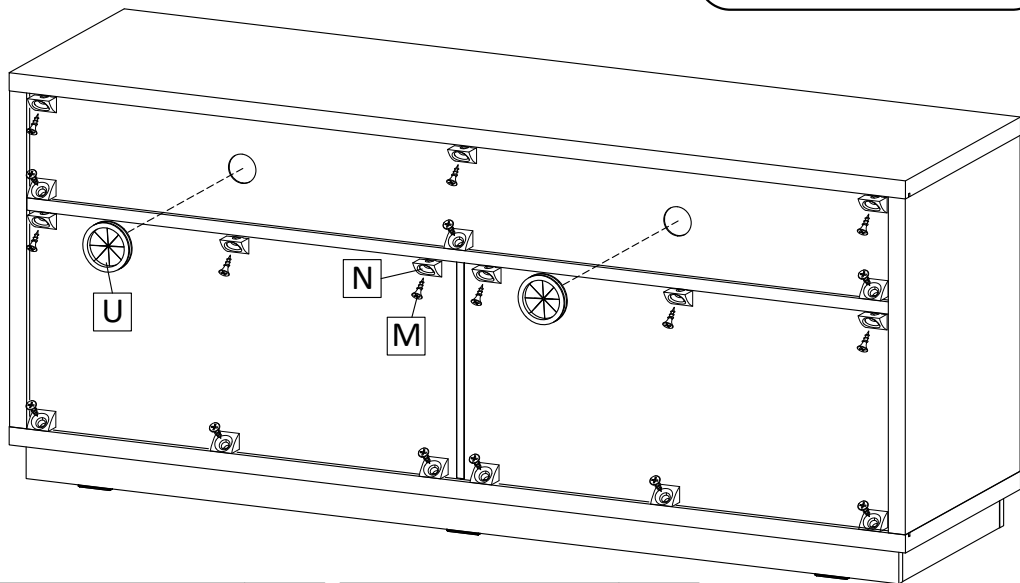
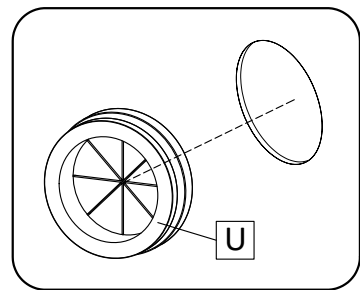
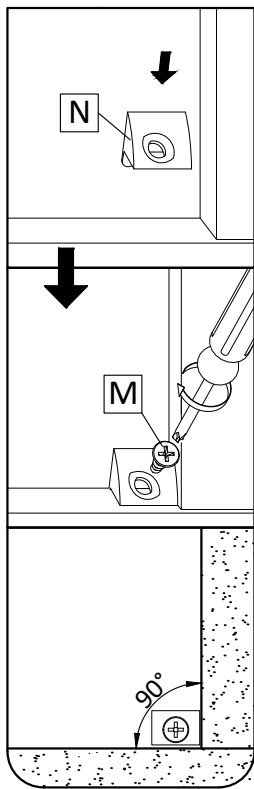



J	x 8	RM35A	x 2
			
M 6 x 10.5 mm		350 mm	


26




27



M	x 18
	
M 3.5 x 15.5 mm	

N	x 18
	

U	x 2
	

28

