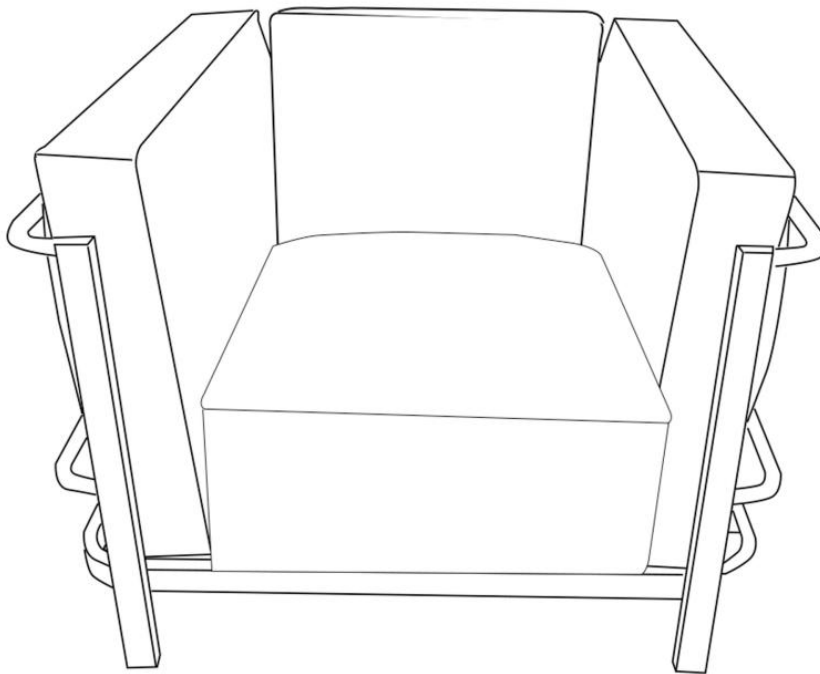


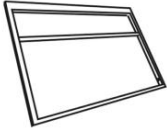
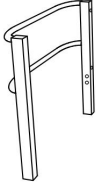
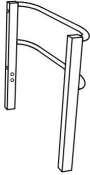

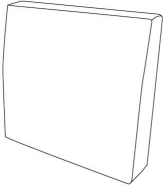
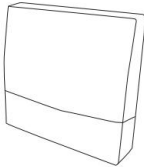
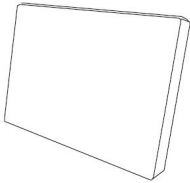
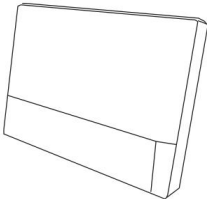
# Assembly Instructions

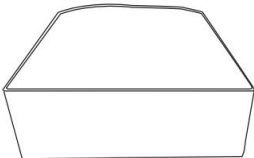
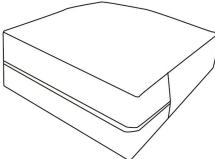
**Note: Please help to read my instruction before you ready to assemble.**

## Chair




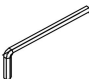


## **Part List**

Label	Picture	Description	QTY (PCS)
A		Back Frame	1
C		Left Armrest	1
D		Right Armrest	1
E		Seat Frame	1
H		Inner Back Cushion	1
H -Cover		Fabric Cover	1
I		Inner Armrest Cushion	2
I-Cover		Fabric Cover	2

J		Inner Seat Cushion	1
J-Cover		Fabric Cover	1

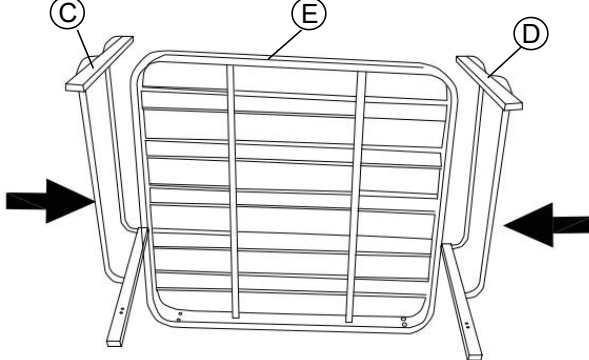
### Hardware

①		Bolt (M6*35)	13
②		Flat Washer	13
③		Spring Washer	13
④		Allen Wrench (S4)	1

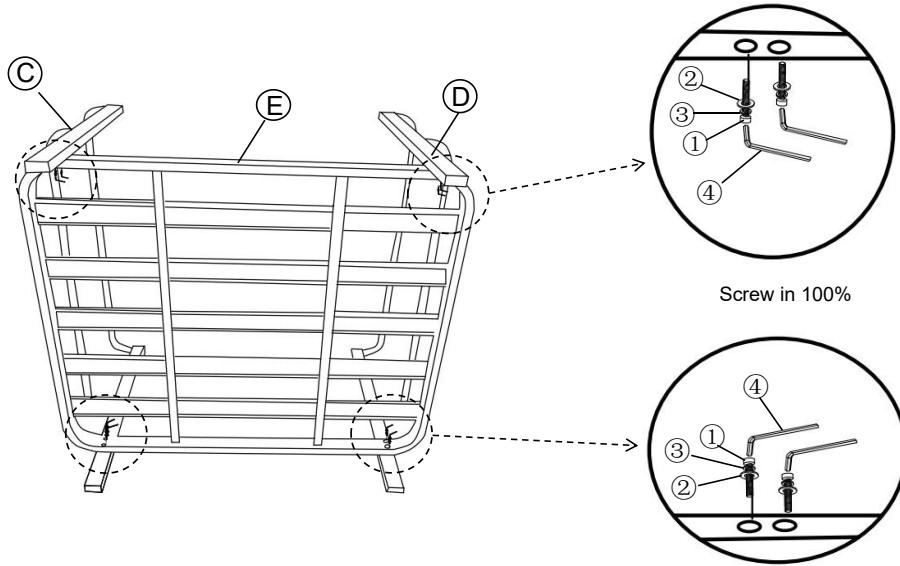
### **NOTICE:**

- Please read the instruction from cover to cover in detail.Thanks.
- Installed by at least two adults
- To avoid damaging your furniture , Please don't assemble on flooring or carpet.
- Please assemble on a clean non-marring surface, example for packing foam.
- Saving all packaging until have finished.

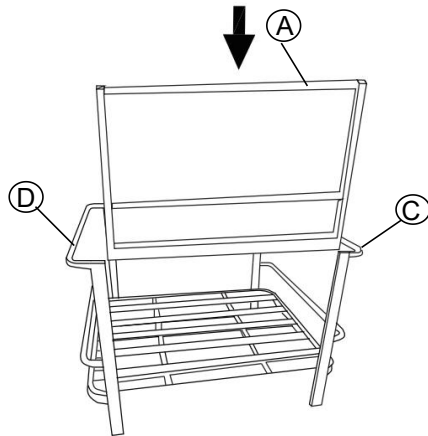
### Assembly Steps:

Step 01	
---------	--

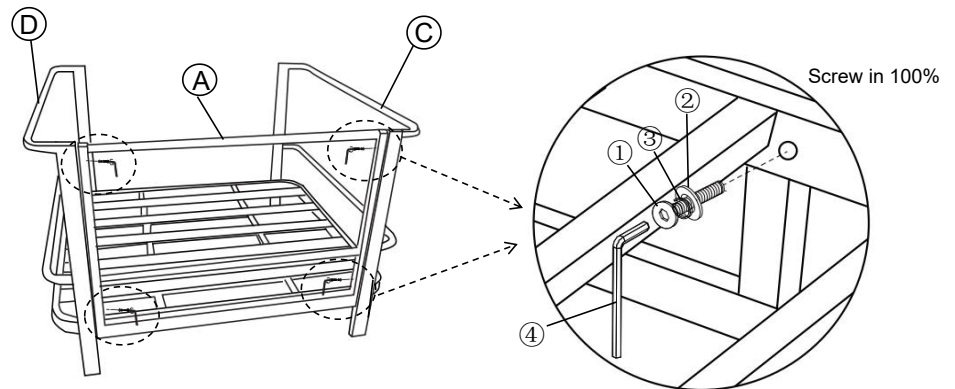
**Step 02**



**Step 03**

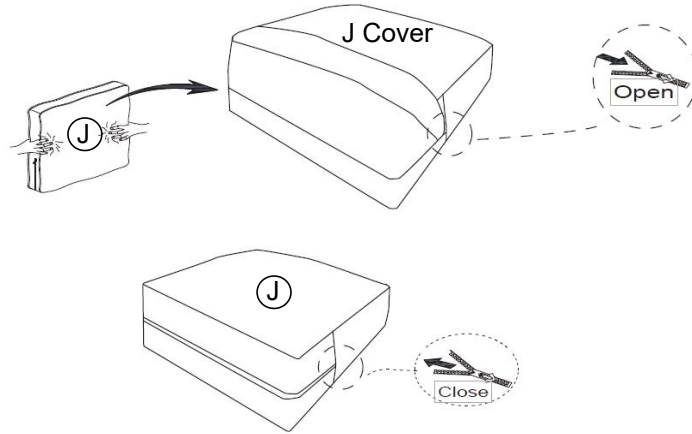


**Step 04**

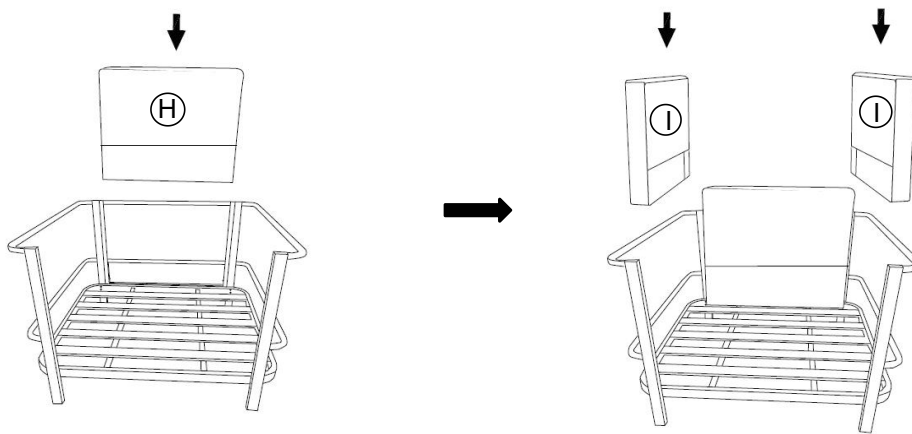




**Step 08**



**Step 09**



**Step 10**

