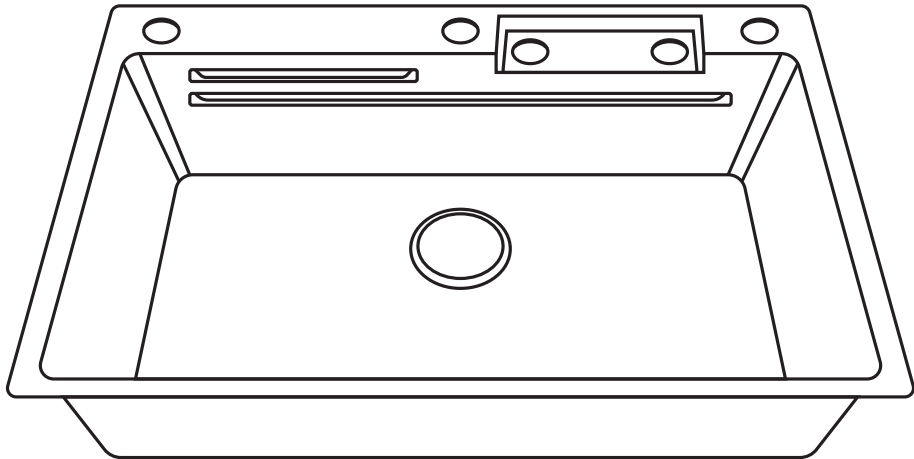


# Installation Instructions



## Drop In Kitchen Sink

Use and Care Manual

# INSTALLATION INSTRUCTIONS

## CAUTION

Due to the weight of the sink, exercise caution when handling, moving or lifting the box or the sink. Use safety gloves and protective gear for eyes and ears. Get assistance when lifting or mounting the sink at any time during the installation procedure. DO NOT attempt to handle or install this product if doing so post a risk of bodily injury or you are medically unfit to carry out the installation.

**IMPORTANT:** We strongly recommends that this product be installed by a licensed plumber. Ensure that installation complies with applicable plumbing and building codes.

## TOOLS

Safety glasses / maker / silicone adhesive sealant / tape measure / Jigsaw / rags / wood braces / level / screws / bladed screwdriver

## ATTENTION

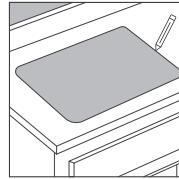
**Read these instructions thoroughly before installation.**

1. Check all the matching products inside when opening the package.
2. Inspect your sink for any noticeable damage before installation.
3. Consult your cabinet dealer before custom order cabinet for the sink.
4. This sink is dual mount installation. You can choose the installation type you prefer.

# INSTALLATION INSTRUCTIONS

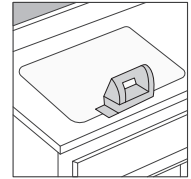
## 1. Drop In Sink Installation

1. Check the cut-out template against the actual sink to ensure a proper sized cut-out, then Place the cut-out template in the desired location on the countertop. Trace the cutout template with pencil accordingly.



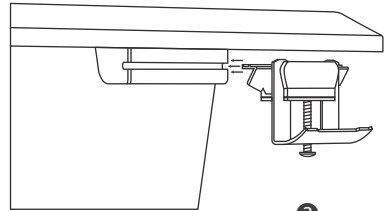
1

2. Cut the opening in the countertop by carefully following the traced line. Please use the appropriate saw that best fits your countertop material.



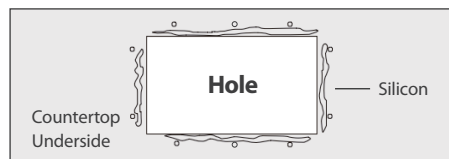
2

3. Take the clips bag out of our package and insert the clips from right to left into the sink grooves as shown in the picture and keep it in place for later installation.



3

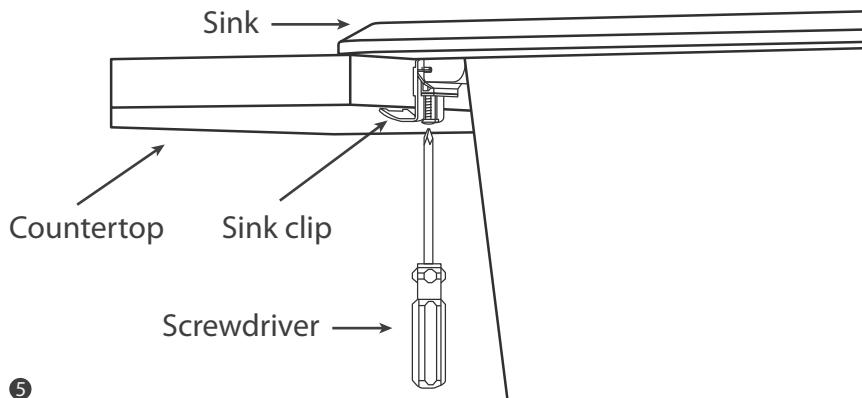
4. Secure Sink to Countertop. Use a bead of silicone (or preferred adhesive) around the rim of the sink/countertop underside. Check the alignment of the sink to the cutout in the countertop. Place sink over cutout hole and press firmly.



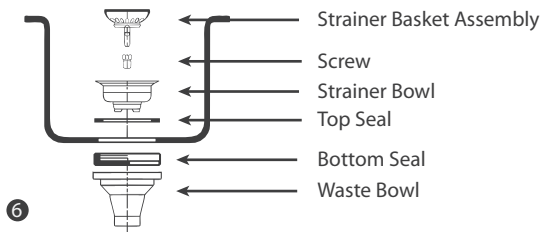
4

# INSTALLATION INSTRUCTIONS

5. Lock the countertop under the sink edges as showed in picture by adjusting screw of the clips.  
**NOTE: Installation clips are made for countertop does measure in range of 1"-1.5" thick ONLY**



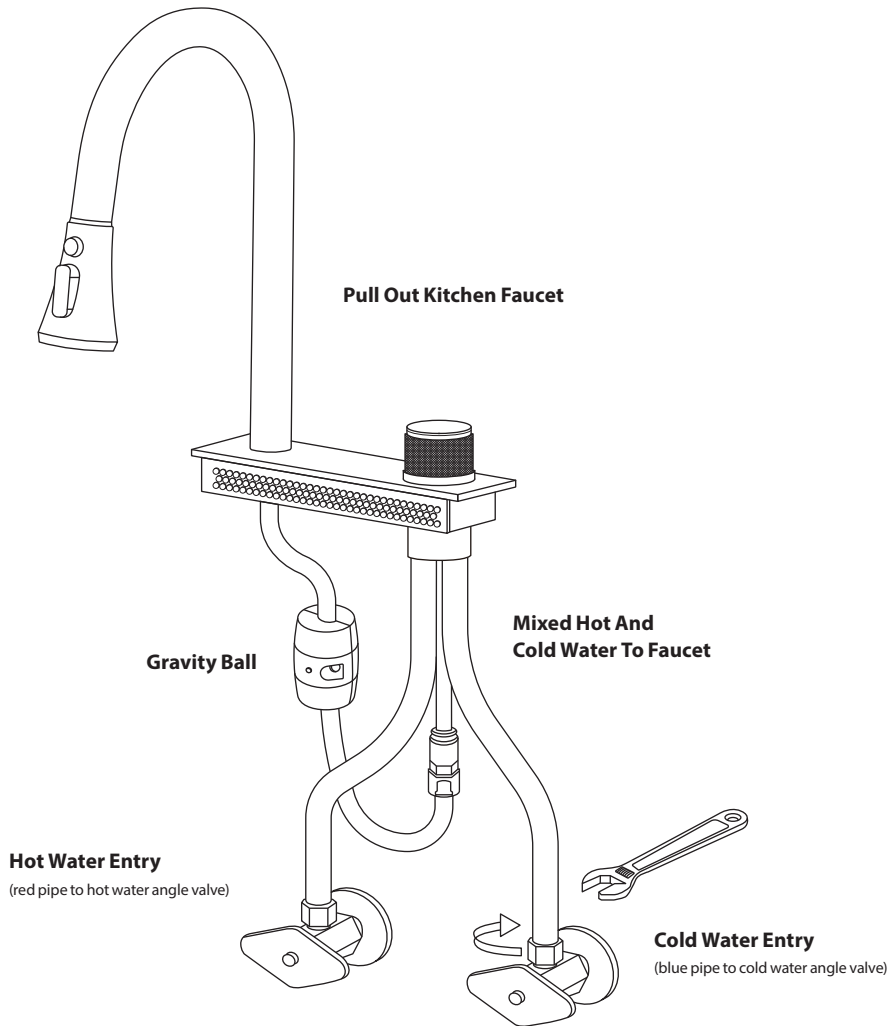
6. Install plumbing fixtures to the sink according to manufacturer's instructions. Drain the water into the sink and check for leaks.



Drain Installation Guide

# INSTALLATION INSTRUCTIONS

## 2. Kitchen Faucet Installation



# INSTALLATION INSTRUCTIONS

## LIST OF PRODUCT CONFIGURATIONS:

- |                                      |                                          |                                  |
|--------------------------------------|------------------------------------------|----------------------------------|
| 1. Main body of faucet               | 4. Mixed water outlet lead pipe          | 7. Cold water access hose (blue) |
| 2. Faucet mounting parts and gaskets | 5. Split temperature control valve       | 8. Hot water inlet hose (red)    |
| 3. Faucet water inlet hose           | 6. Main valve mounting parts and gaskets | 9. Gravity ball                  |

## INSTALLATION AND MAINTENANCE PRECAUTIONS:

1. Paint, coating or acid mist on the faucet surface has a corrosive effect, so it should be installed after the decoration process is completed and cleaned.
2. Before installing the faucet, it is necessary to first turn on the water source switch to remove residual impurities from the tap water pipe.

### **IF THE FAUCET IS BLOCKED AND AFFECTS THE WATER OUTPUT, PLEASE FOLLOW THE FOLLOWING STEPS TO CHECK:**

- (1) Please remove the hot and cold water hoses and check for debris inside the hose and at the rubber ring of the filter.
  - (2) Make sure the hose is not clogged, check the bubbler inside the water outlet, remove the bubbler and rinse thoroughly.
  - (3) If the problem still cannot be solved, remove the handle, remove the spool to check for clogging, and clean the mixed water inlet and outlet pipes before installing.
3. To ensure the normal operation of the valve core, the minimum water pressure should reach 0.05MPa, and the maximum working pressure of the shower should be 0.6MPa. If the water pressure exceeds 0.6MPa, a pressure reducing valve must be installed. The maximum working temperature of the faucet is less than 80 °C the ambient temperature greater than 0 °C but less than 50 °C .
4. The faucet body has been factory tested and commissioned, please do not disassemble it by yourself. After the installation of the faucet, it is necessary to check whether the connection is tight and whether there is any leakage in the pipeline. When installing the hose, only tighten it by hand and no other tools are required.
5. Please do not use inappropriate tools to clean your faucet. If there are stains on the surface of the faucet, please clean it with toothpaste.

# MAINTENANCE INSTRUCTIONS

## DO

---

1. Clean daily and keep the sink dry after you use it. Because any standing water can cause a build-up of mineral deposits, which will become hard water stains.
2. Use a soft towel or sponge to clean the sink with warm water. Mixing in some washer-fluid is advisable. Wipe the sink dry after cleaning.
3. Rinse the sink after using any cleaning agent and wipe dry. If any mineral deposits built the sink, clean up it as soon as possible.
4. Use a bottom basin rack to help protect your sink surface.

## DO NOT

---

1. Leave cleaning agents or bleach in your sink which may cause the sink to discolor or damage the surface.
2. Place extremely hot kitchenware directly on the surface of the sink as this can cause damage.
3. Use cleaners that are abrasive or containing bleach.
4. Use abrasive cleaning materials to wipe the surface of the sink, such as steel wool or scouring pad.
5. Use the inside of the sink as cutting surface.

# MAINTENANCE INSTRUCTIONS

## TIPS

---

### **Scratch Marks & Discoloration**

Granite sinks may become discolored or scratched - unless you protect them properly. To avoid these problems, you should prevent placing hot objects directly on the surface of the sink for a long time or scratching the surface with sharp objects. You can use a bottom basin rack to help protect your sink surface.

### **Food Stains & Water Marks**

Water stays in the sink for a long time and is not wiped clean after each use will cause water stains. To remove these stains you can use a soft cloth with detergent to gently wipe them away. Make it a habit to clean it daily and dry the sink after cleaning.

### **Codes / Standards Applicable:**

- In Accordance with Industry Codes & Standards for USA & Canada.

# WARRANTY & SUPPORT

## 1 Year Limited Warranty Sinks

- We warrant to the original purchaser of our granite sink that the sink will be free from defects in workmanship and materials since the time of manufacture. If the sink is damaged, we will replace or repair the product, at our option, free of charge.
- Except for those stated in this warranty, there are no other express warranties and all representations or affirmations made by us or any other person are for illustration purposes only.
- Warranties and replacements are non-transferable and apply only to the original purchaser of the granite sink. The limited warranty period begins on the initial date of purchase of the product by the original purchaser.

## Exclusions

- This warranty does not apply to products that have not been installed or operated in accordance with instructions supplied by us..
- This warranty does not apply unless the our product is installed by a fully insured and licensed trade professional.
- This warranty does not cover damage caused by environmental factors, normal wear including dents and scratches.
- This warranty does not cover damage caused by improper care and cleaning including the use of aggressive cleaning agents and abrasive cleaning materials.
- This warranty does not cover shipping costs, labor costs, or any other charges for such items as installation or replacement of the sink, diagnosis or replacement of any component part, or any other expense or loss.
- This warranty does not cover marine or outdoor Installation.
- This warranty does not cover Installation in violation of applicable state or local plumbing or housing codes.

If you have any problems with the sink you received, please contact our customer service.Thank you.

Choose it, Choose a better life .