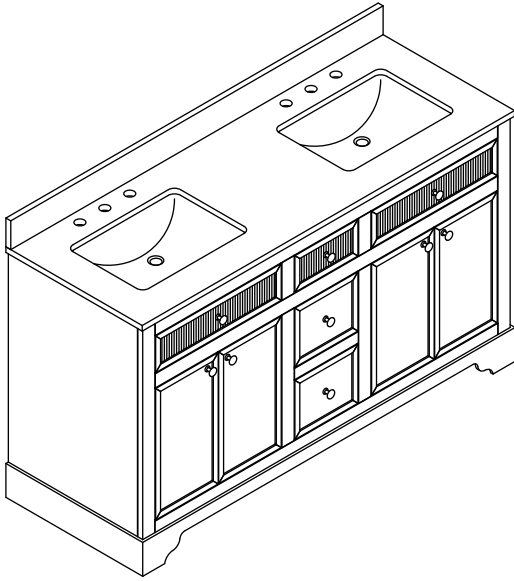

BATHROOM SET

Colors/Finishes: LIGHT WOOD

Nominal Dimension:60W*22D*35H inches

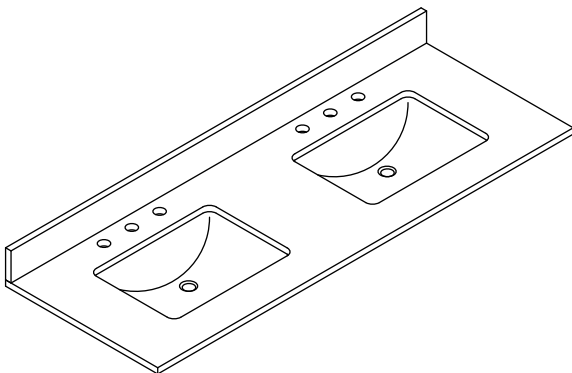


Contents

60"Vanity.....PAGE2

60"Vanity Top.....PAGE3

Vanity Installation.....PAGE4



VANITY FEATURES:

- 1.Material: Solid poplar wood frame, high-quality veneer plywood.
- 2.Doors: 4 soft-close doors, Austria BLUM Soft-close hinges system.
- 3.Drawers:3 Dovetail Drawers, DTC concealed soft-close sliders.
- 4.2 Flip drawer
- 5.Hardware: Metal alloy
- 6.Installation Type: Freestanding
- 7.Built-in Adjusters: Adjustable height levelers
- 8.Vanity Top: High-quality quartz/marble with single undermount sink
- 9.Assemble required: No
- 10.Vanity top Included: Yes
- 11.Mirror Included: Optional
- 12.Medicine Cabinet Included: Optional

VANITY TOP FEATURES:

- 1.Material: Highly resilient, nonporous, scratch-and stain-resistant quartz,or natural Italian Carrera white marble.
- 2.Top Color: Carrera white
- 3.Sink: 2*20"undermount rectangle sink
- 4.Faucet Hole s: Top pre-drilled for 8"widespread faucet holes
- 5.Sink Certified: CUPC certified
- 6.Backsplash: 4"backsplash included
- 7.Faucet Included: No
- 8.Nominal Dimension(W*D*H): 60W*22D*0.79H inches

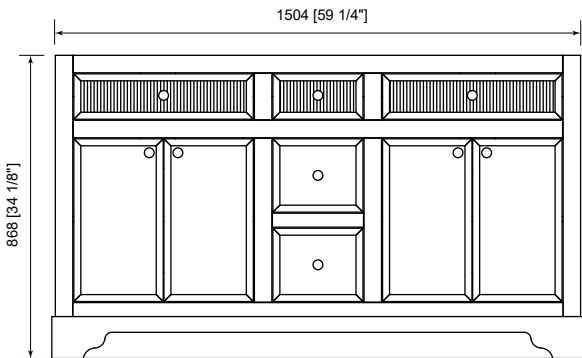
BATHROOM SET

COMPONENTS:

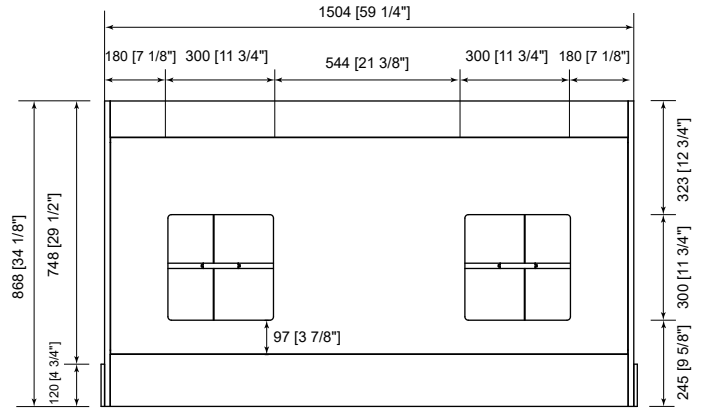
Vanity	
Vanity Top	
Wall Mirror	
Medicine Cabinet	

PRODUCT DIAGRAMS:

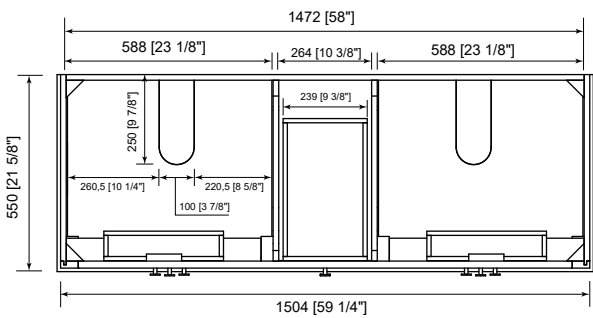
Front



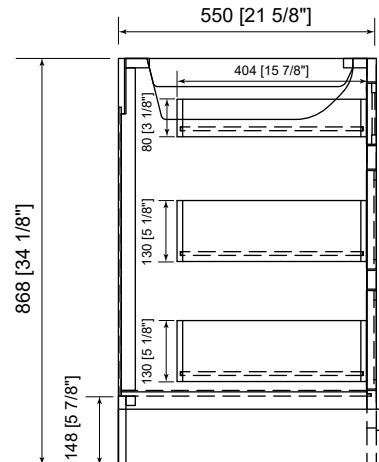
Back



Top

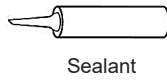


Side



Installation

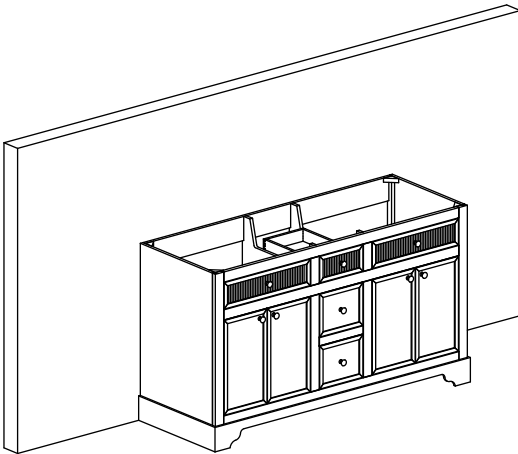
SUGGESTED TOOLS AND MATERIALS:



INSTALLATION INSTRUCTLONS

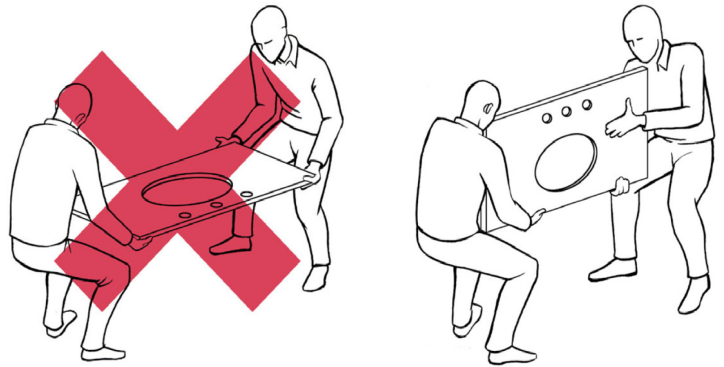
We recommend consulting a professional if you are unfamiliar with installing bathroom fixtures and plumbing .We accept no liability for any damage to the floor,plumbing, vanity cabinet,sink,counter top,or personal injury during installation.

1



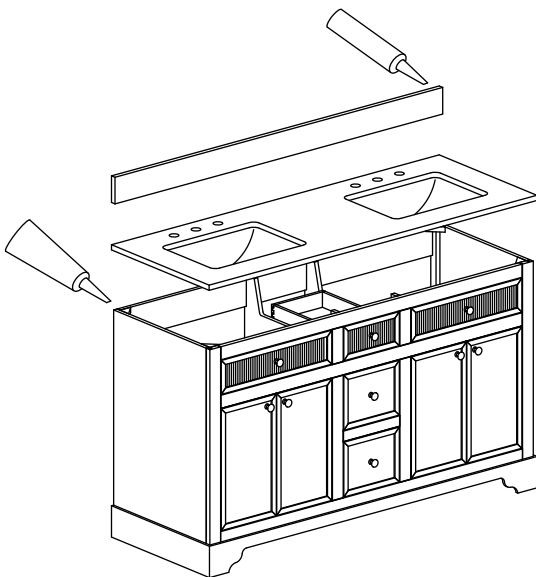
Remove vanity from box and examine vanity for any defects or damage.Carefully place vanity against wall.

2



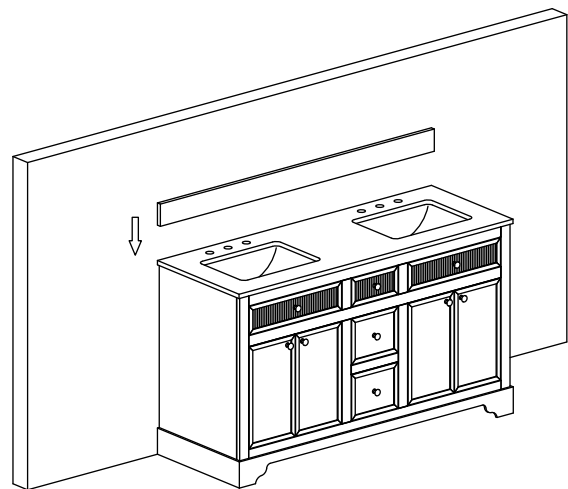
Always use a two man crew,a single person crew is much more likely to break or chip the stone top.

3



Apply bead of quality sealant evenly along the bottom of backsplash and the top of the vanity.

4



Finally,place the bottom side of back splash with sealant onto the counter top and check alignment of back splash.