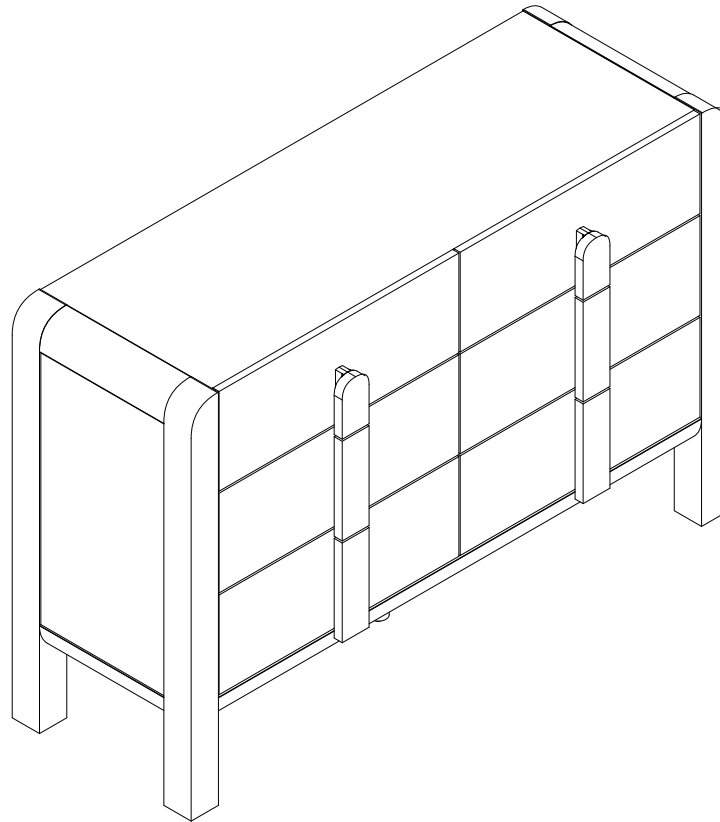


# Assembly Instructions



IMPORTANT : Please read this manual carefully before beginning assembly of this product.Keep this manual for future reference.

1

★ Thank you for choosing our products, please read the instructions carefully before installation, and please keep the instructions properly

#### Tips and tricks

1. Do not attempt to move this furniture without first removing all equipment
2. Death or serious injury may occur when children climb on audio and/or video equipment furniture. A remote control or toys placed on the furnishing may encourage a child to climb on the furnishing and as a result the furnishing may tip over onto the child.
3. Please contact us using the details shown for further advice

⚠ **WARNING** If any parts are missing or damaged, do not return the damaged item to your dealer; contact Customer Service. Never use damaged parts!

2

★ ¡Gracias por elegir nuestros productos, por favor lea las instrucciones cuidadosamente antes de la instalación, y guárdelas correctamente!

#### Consejos y trucos

1. Si no quita todos los equipos en el primer lugar, no intente mover este mueble
2. Cuando los niños suben a los muebles con el equipo de audio y / o video, la muerte o las lesiones graves podrían ocurrir. El control remoto o los juguetes colocados en el mueble pueden estimular a un niño a subir en él y el mueble podría volcarse sobre el niño.
3. Póngase en contacto con nosotros utilizando los detalles mostrados para obtener más sugerencias.

⚠ **ADVERTENCIA** Si las piezas faltan o están dañadas, no devuelva el producto dañado a su distribuidor; póngase en contacto con los Servicios al Cliente. ¡Nunca utilice las piezas dañadas!

3

★ Vielen Dank für Ihre Auswahl für unsere Produkte, lesen Sie bitte die Anweisungen sorgfältig vor Ihrer Installation und halten Sie bitte die Anweisungen richtig!

#### Tips and tricks

1. Versuchen Sie bitte nicht, diese Möbel zu bewegen, ohne zuerst alle Geräte zu entfernen
2. Wenn die Kinder auf Audio und / oder Videogerätemöbel klettern, kann Tod oder schwere Verletzungen kommen. Eine Fernbedienung oder Spielzeug kann die Kinder ermutigen, die auf die Einrichtung gestellt wird, sich auf die Einrichtung zu klettern. Dies bewirkt, dass die Möbel auf Ihre Kinder umfallen könnte.
3. Bitte kontaktieren Sie uns mit den Details für weitere Beratung

⚠ **WARNING** Wenn irgendwelche Teile fehlen oder beschädigt sind, geben Sie bitte den beschädigten Artikel nicht an Ihren Händler zurück; Kontaktieren Sie bitte mit dem Kundendienst. Verwenden Sie bitte niemals beschädigte Teile!

4

★ 弊社の製品を選んでくれてありがとうございます。インストールする前に説明書をご覧いただき、それに当説明書を適切に保存してください。

#### 提示と技巧

1. 設備を全て開かない場合、当設備を移動することはできません。
2. 子どもがステレオまたはビデオの設備の上に登ると、体を壊したり、ひどく傷ついたりする恐れがある。設備のリモコンと玩具によって、子どもが設備の上に登りたがっているかも知れないので、設備は子どもの身の上に倒れる危険がある。
3. 設備の使用に関わる詳細な情報を弊社にご連絡してください。

⚠ **警告** どんな部品が紛失したり壊れたりする場合でも、そのままディーラーのところへ返送しないでください。顧客サービスセンターに連絡してください。壊れた部品を使用しないでください。

5

★ Nous vous remercions d'avoir sélectionné nos produits, lisez les instructions attentivement avant l'installation, et gardez les instructions correctement s'il vous plaît!

#### Conseils et astuces

1. Ne tentez pas de déplacer ce mobilier sans enlever tout l'équipement.
2. Des dégâts ou des blessures graves pourraient survenir lorsque les enfants grimpent sur des meubles audio et / ou vidéo. Une télécommande ou des jouets placés sur le meuble pourraient encourager un enfant à grimper sur le meuble, il en résulte que le meuble pourrait basculer sur l'enfant.
3. Contactez-nous en utilisant les détails affichés pour obtenir les conseils s'il vous plaît

⚠ **AVERTISSEMENT** S'il y a des pièces manquantes ou endommagées, ne renvoyez pas l'article endommagé à votre vendeur; Contactez le service clientèle. Ne jamais utiliser de pièces endommagées!

6

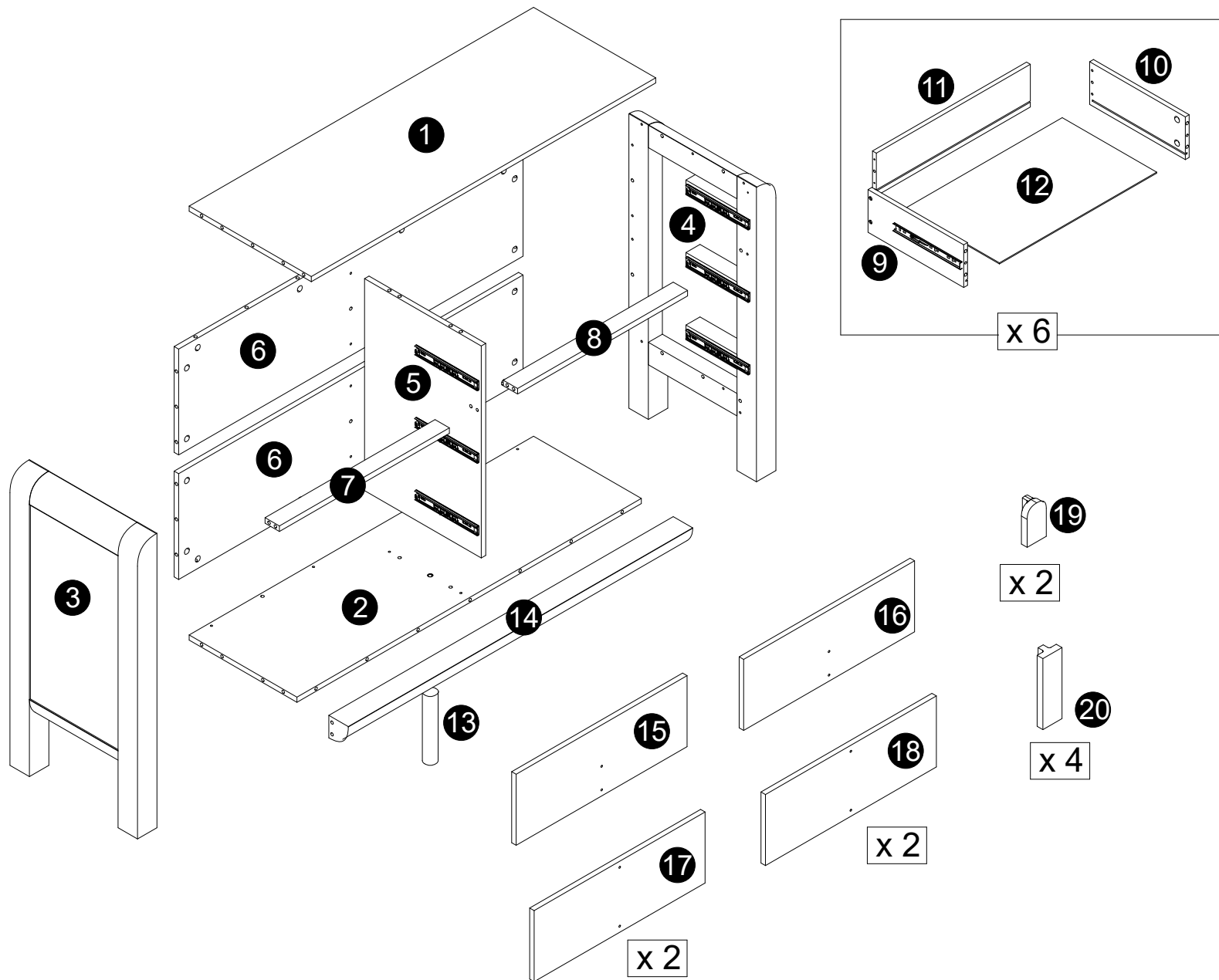
★ Grazie per aver scelto i nostri prodotti, si prega di leggere attentamente le istruzioni prima dell'installazione e rispettare le istruzioni corrette!

#### Suggerimenti e trucchi

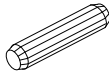

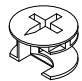

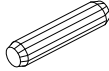



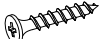
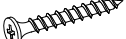








1. Non tentare di spostare questo mobile senza prima rimuovere tutte le apparecchiature
2. Possono verificarsi morti o gravi lesioni quando i bambini salgono su mobili per arredamento audio e/o video. Un telecomando o i giocattoli messi sull'arredamento possono incoraggiare un bambino ad arrampicarsi sull'arredamento, e di conseguenza l'arredamento può piegarsi sul bambino.
3. Vi preghiamo di contattarci utilizzando i dettagli mostrati per ulteriori consigli

⚠ **AVVERTENZA:** Se mancano o sono danneggiate parti, non restituire l'elemento danneggiato al rivenditore; Contattare il Servizio Clienti. Non utilizzare mai parti danneggiate!

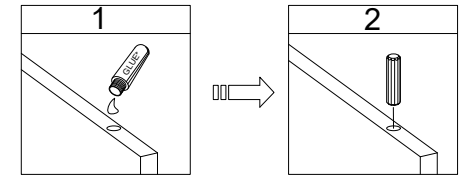
WHAT'S  
IN THE BOX



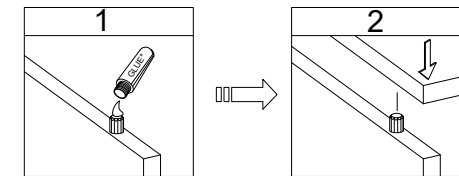
# WHAT'S IN THE BOX

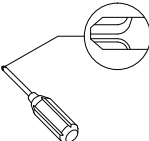
 Wooden dowel Ø8x30mm <b>A</b> x 31	 Cam bolt Ø6x35mm <b>B</b> x 64	 Cam lock Ø15x9mm <b>C</b> x 65	 Sticker <b>D</b> x 65
 Wooden dowel Ø6x30mm <b>E</b> x 24	 Glue tube <b>F</b> x 1	 Footpads <b>G</b> x 4	 Handle bolt Ø5/32*25mm <b>H</b> x 12
 Screw Ø4x30 <b>I</b> x 24	 Screw Ø4x40 <b>J</b> x 2	 Cam stud Ø6x62mm <b>K</b> x 1	 Nut <b>L</b> x 1
 Screw Ø4*12 <b>M</b> x 2	 Screw Ø4*25 <b>N</b> x 2	 Plastic strap <b>O</b> x 2	 Nut <b>P</b> x 2
 Meate bracket <b>Q</b> x 2	 Screw Ø3.5*12 <b>R</b> x 4		

• The provided glue(F) is to secure  
 When first inserting dowels, locate the wood dowels(A,E) in place.  
 appropriate hole for the dowel , place a small amount of glue in the hole and insert the dowel.  
 Wipe away excess glue immediately.



• In future assembly steps when dowels are necessary to attach assembly parts together, place a small amount of glue on the end of the dowel before attaching parts together.  
 Wipe away excess glue immediately.

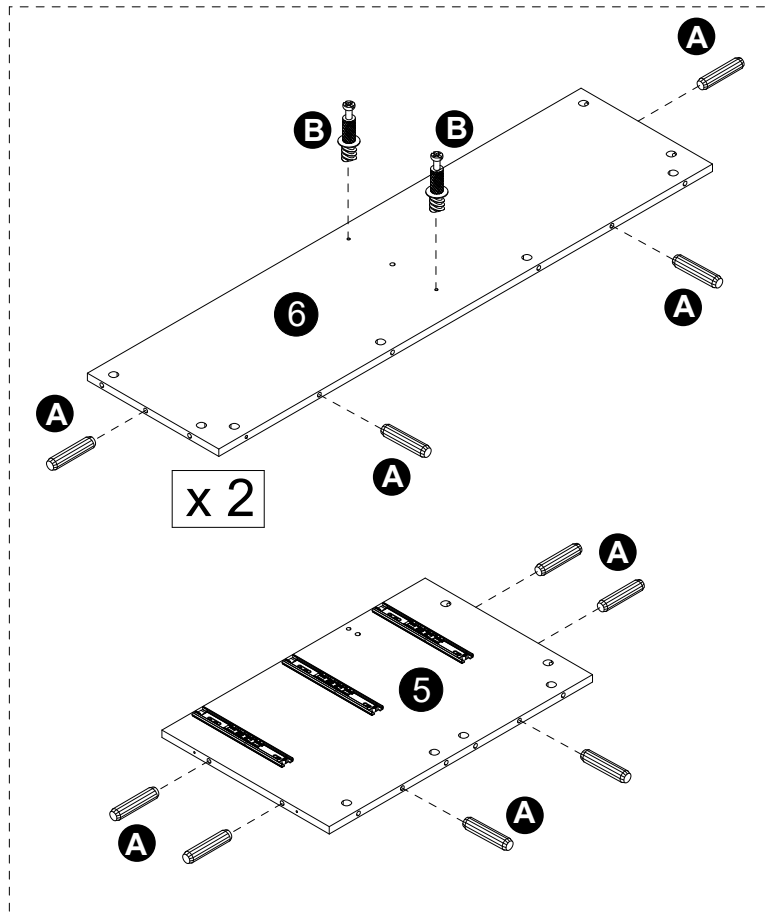


 Philips head screwdriver required for assembly (not included)

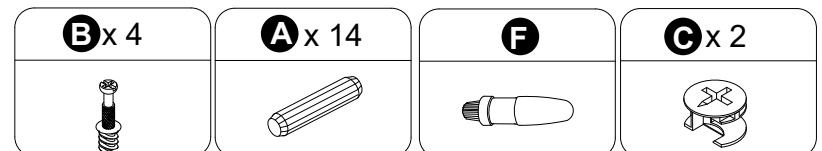
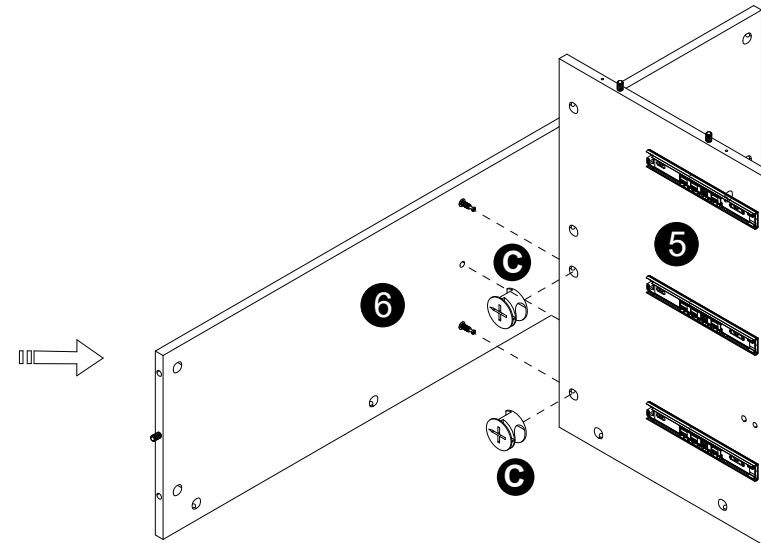
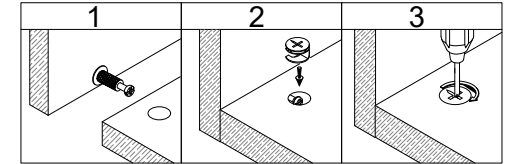
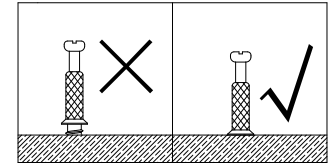
# 1

## INSTALLATION STEPS

•Unpack the unit and confirm that you have all the hardware and required parts.  
Assemble the unit on a carpeted floor or the empty carton to avoid any scratches.

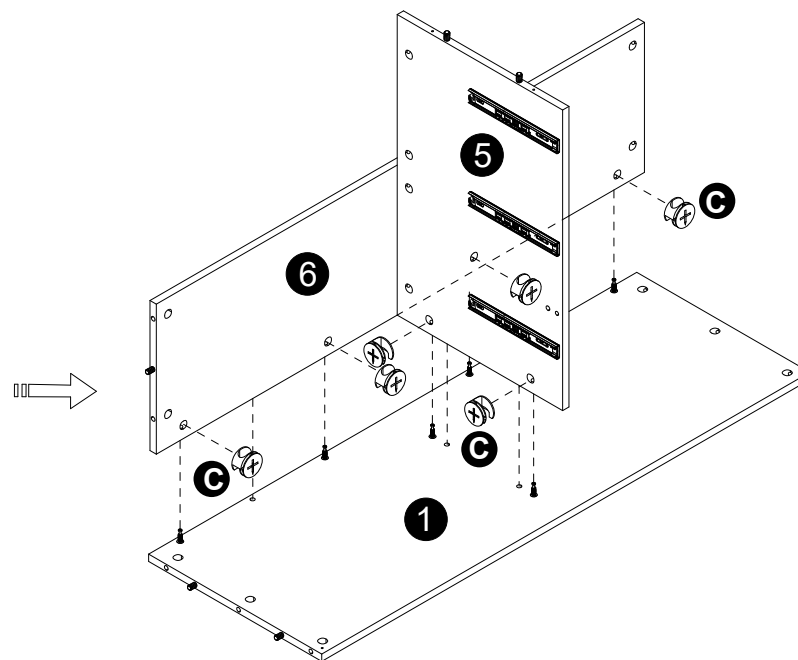
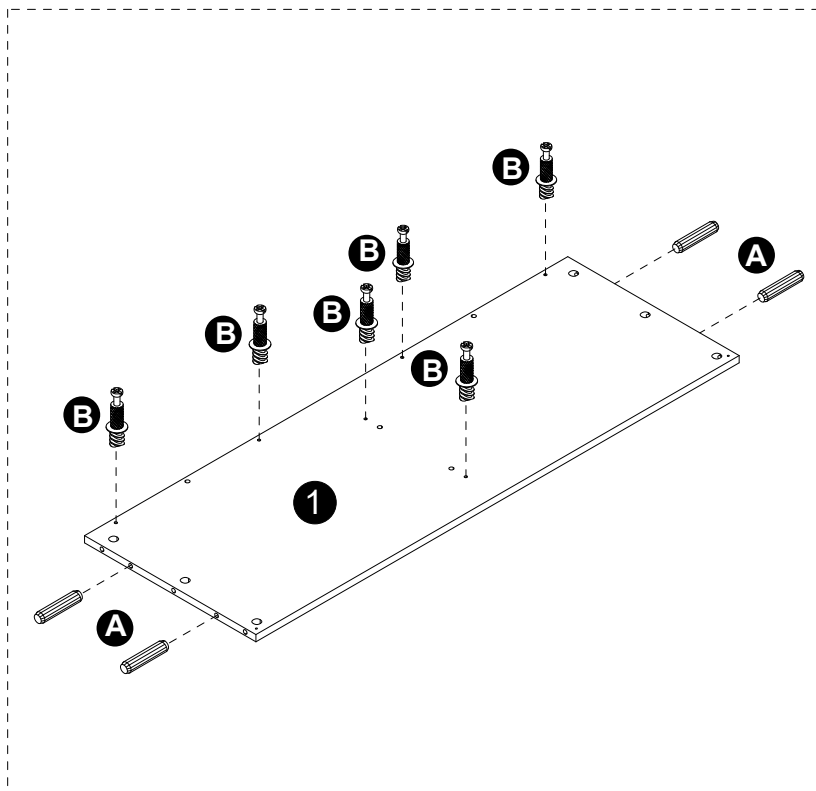
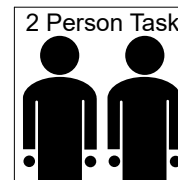
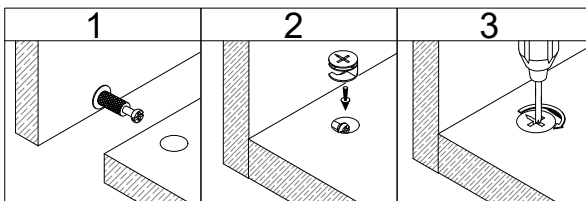
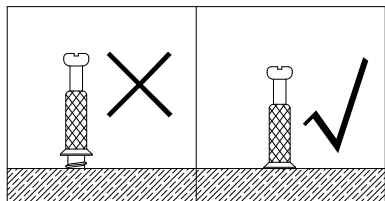


- Screw cam bolts (B) into panel (6).
- Insert dowels (A) into panels (5,6).
- Attach panel (6) to panel (5).
- Insert and secure cam locks (C) to panel (5) to lock it.

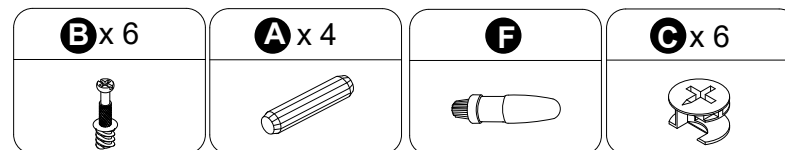


# 2

## INSTALLATION STEPS

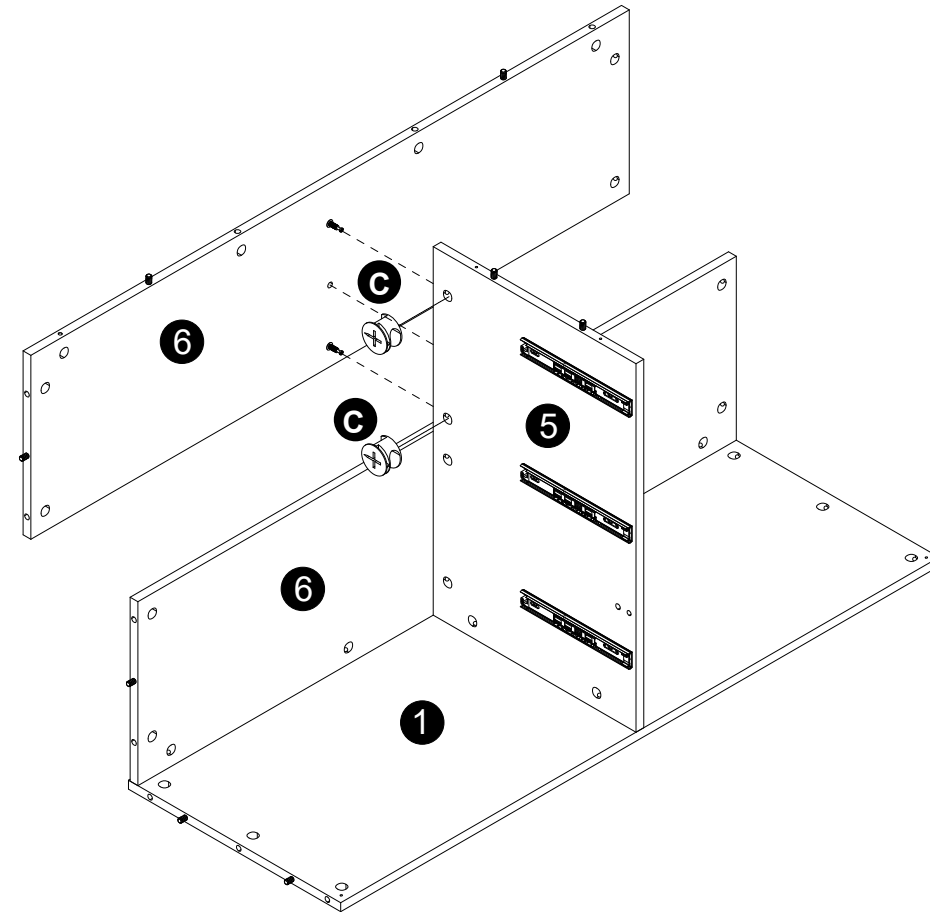
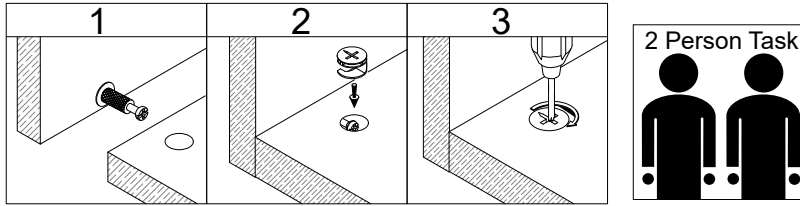


- Screw cam bolts (B) into panel (1).
- Insert dowels (A) into panel (1).
- Attach panels (5,6) to panel (1).
- Insert and secure cam locks(C) to panels (5,6) to lock it.

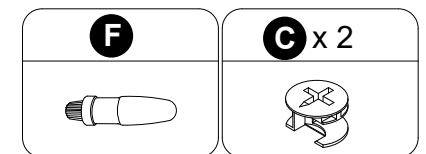


# 3

## INSTALLATION STEPS

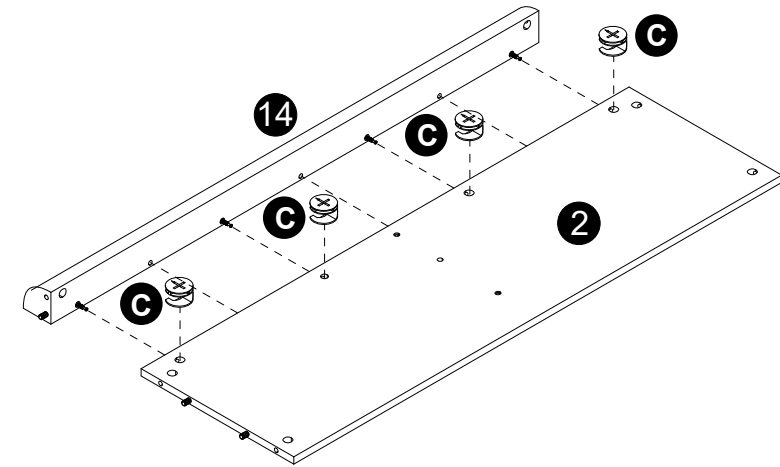
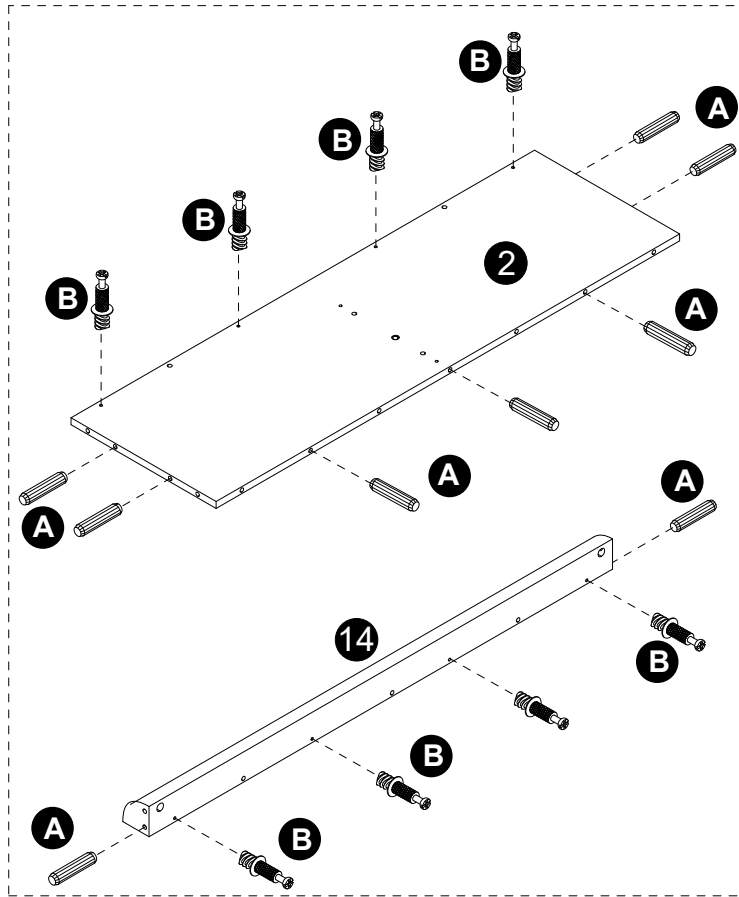
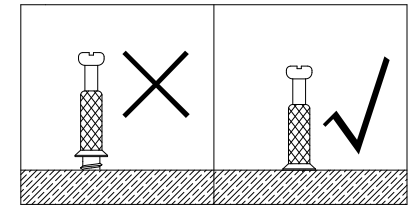
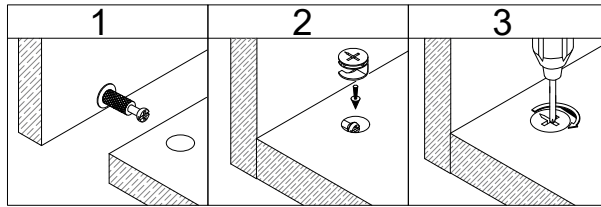


- Attach panel (6) to panel (5).
- Insert and secure cam locks (C) to panel (5) to lock it.

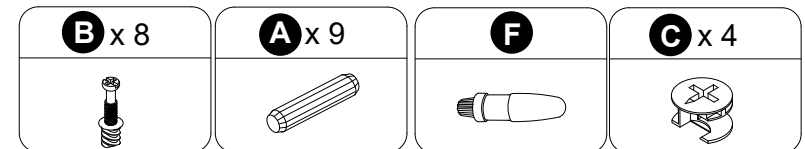


# 4

## INSTALLATION STEPS

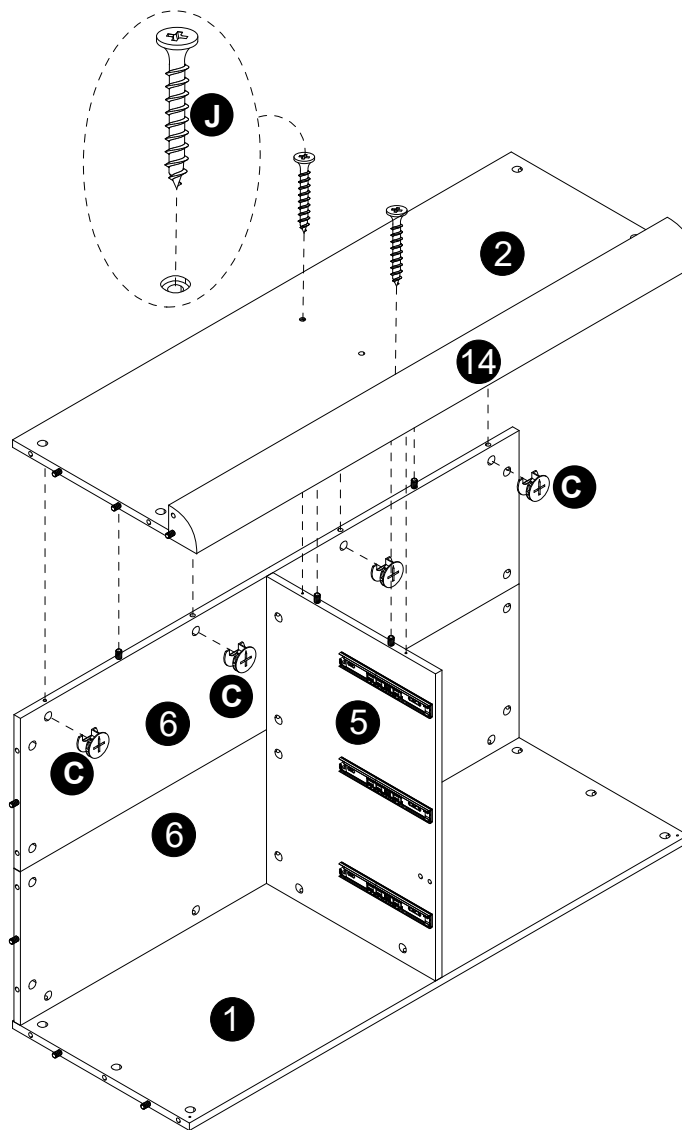
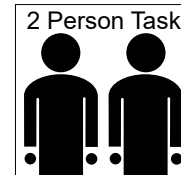
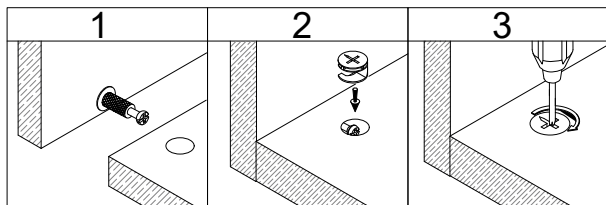


- Screw cam bolts (B) into panel (2,14).
- Insert dowels (A) into panel (2,14).
- Attach panel (14) to panel (2).
- Insert and secure cam locks(C) to panel (2) to lock it.

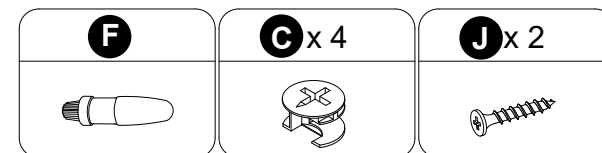


# 5

## INSTALLATION STEPS

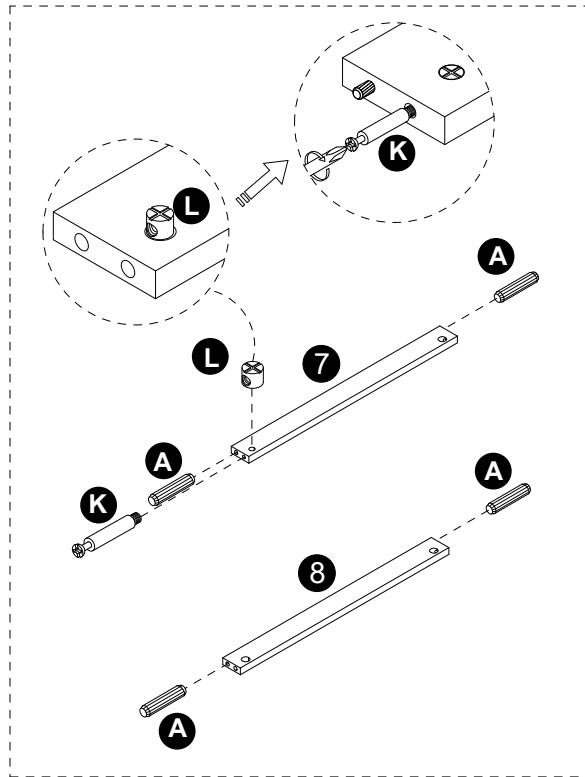


- Attach panels (2,14) to panels (5,6).
- Insert and secure cam locks(C) to panel (6) to lock it.
- Attach panel (2) to panel (5) with screws (J).

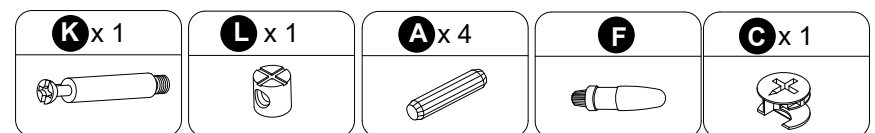
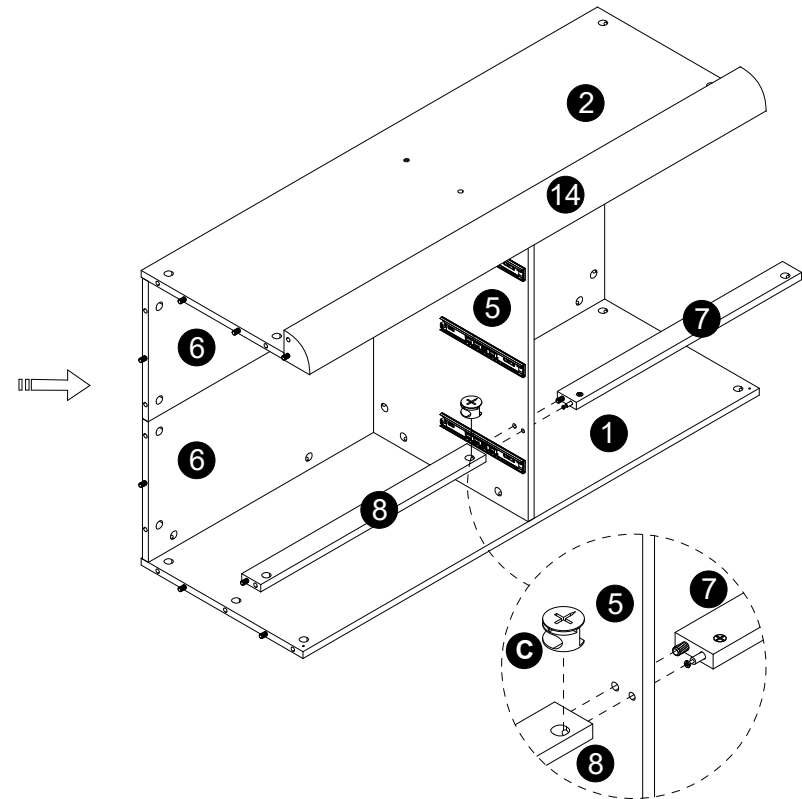
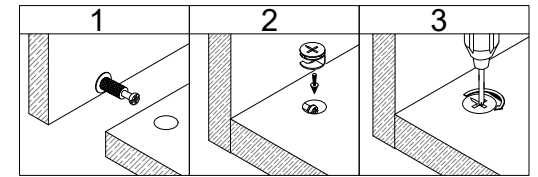
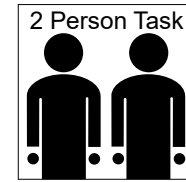


# 6

## INSTALLATION STEPS

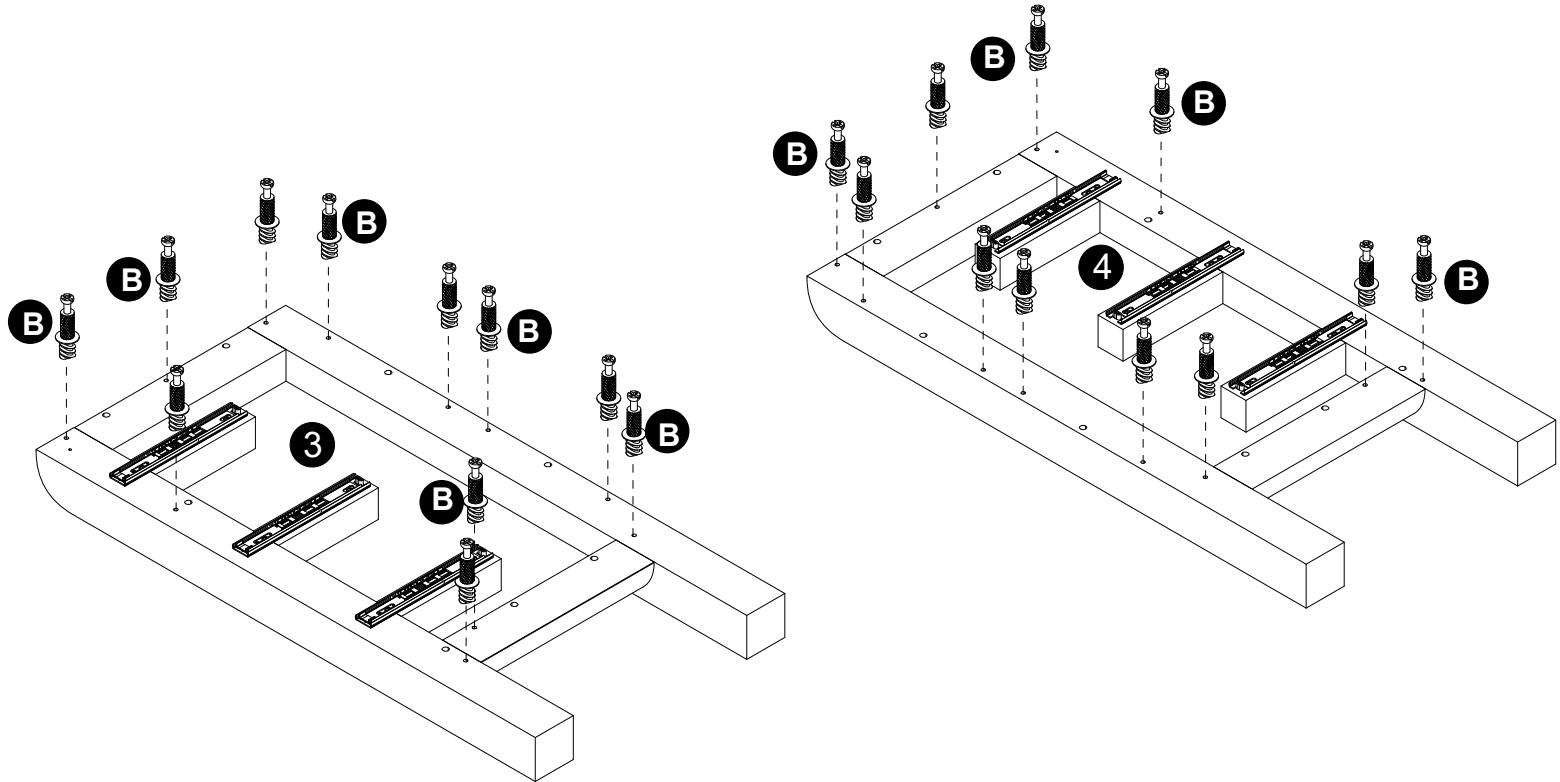
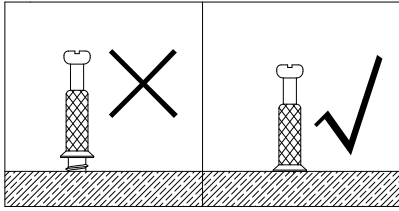


- Attach part (K) to panel (7) with part (L).
- Insert dowels (A) into panels (7,8).
- Attach panels (7,8) to panel (5).
- Insert and secure cam locks(C) to panel (8) to lock it.

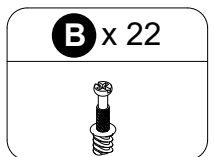


# 7

## INSTALLATION STEPS

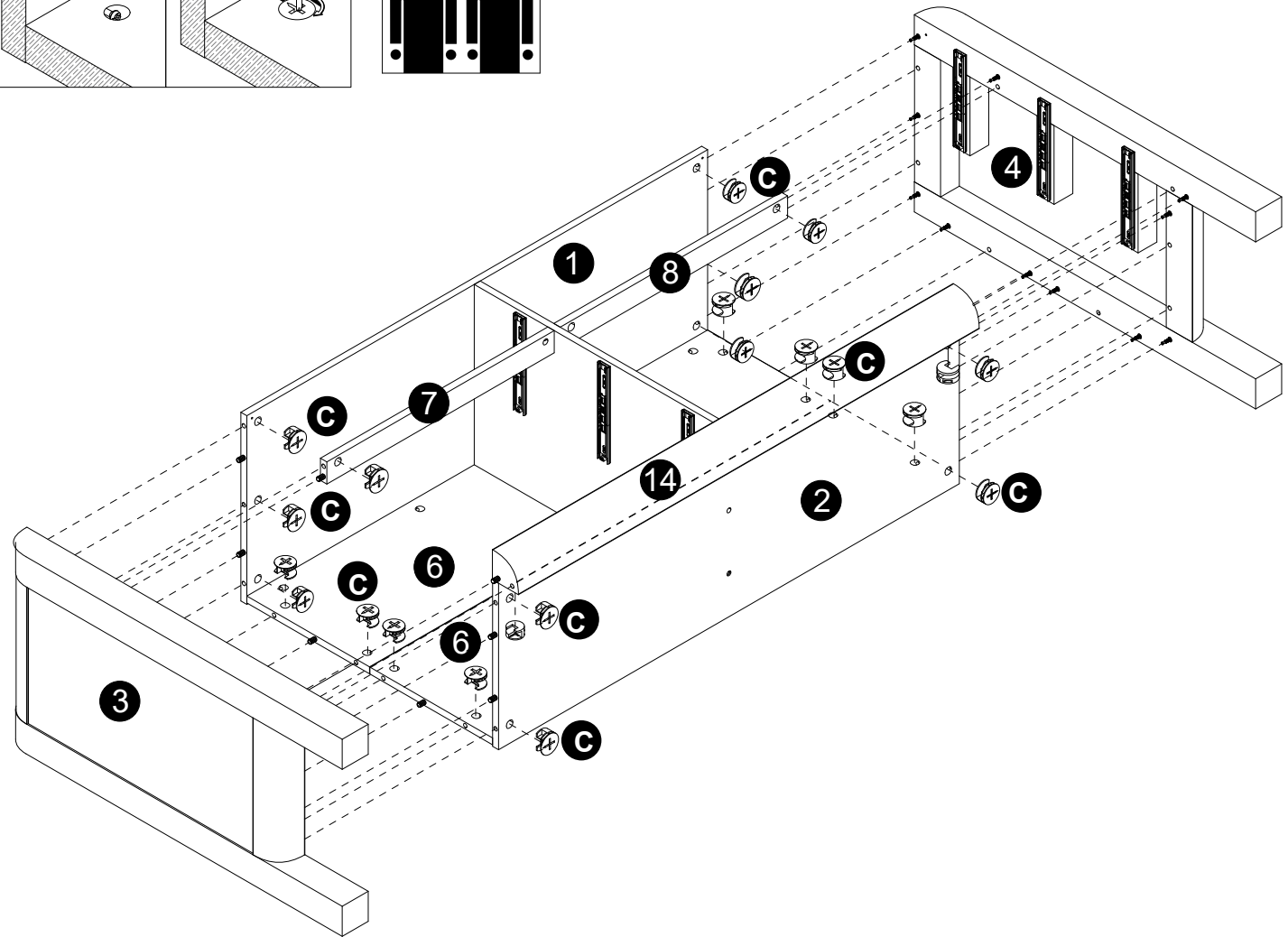
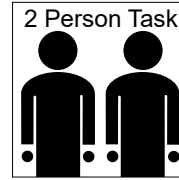
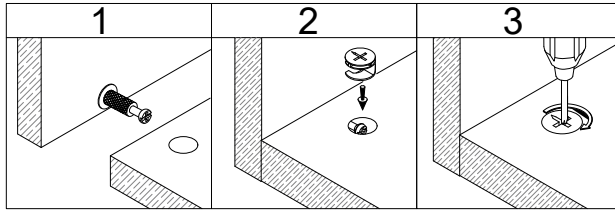


· Screw cam bolts (B) into panels (3,4).

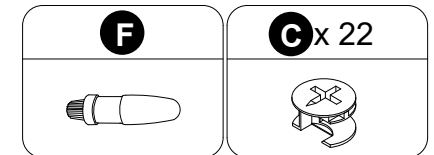


# 8

## INSTALLATION STEPS

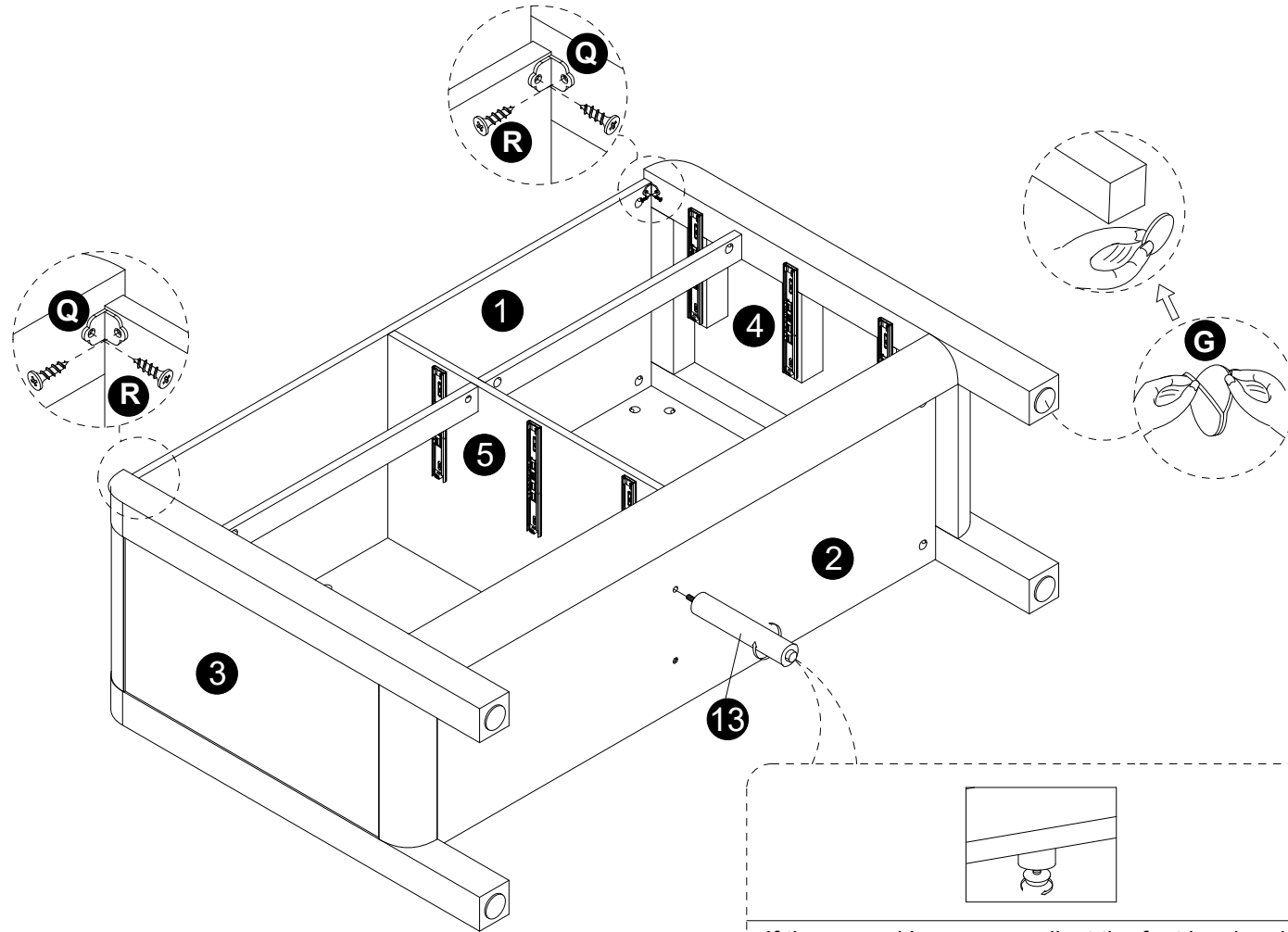


- Attach panel (3) to panels (1,2,6,7,14).
- Insert and secure cam locks (C) to panels (1,2,6,7,14) to lock it.
- Attach panel (4) to panels (1,2,6,8,14).
- Insert and secure cam locks (C) to panels (1,2,6,8,14) to lock it.






# 9

## INSTALLATION STEPS



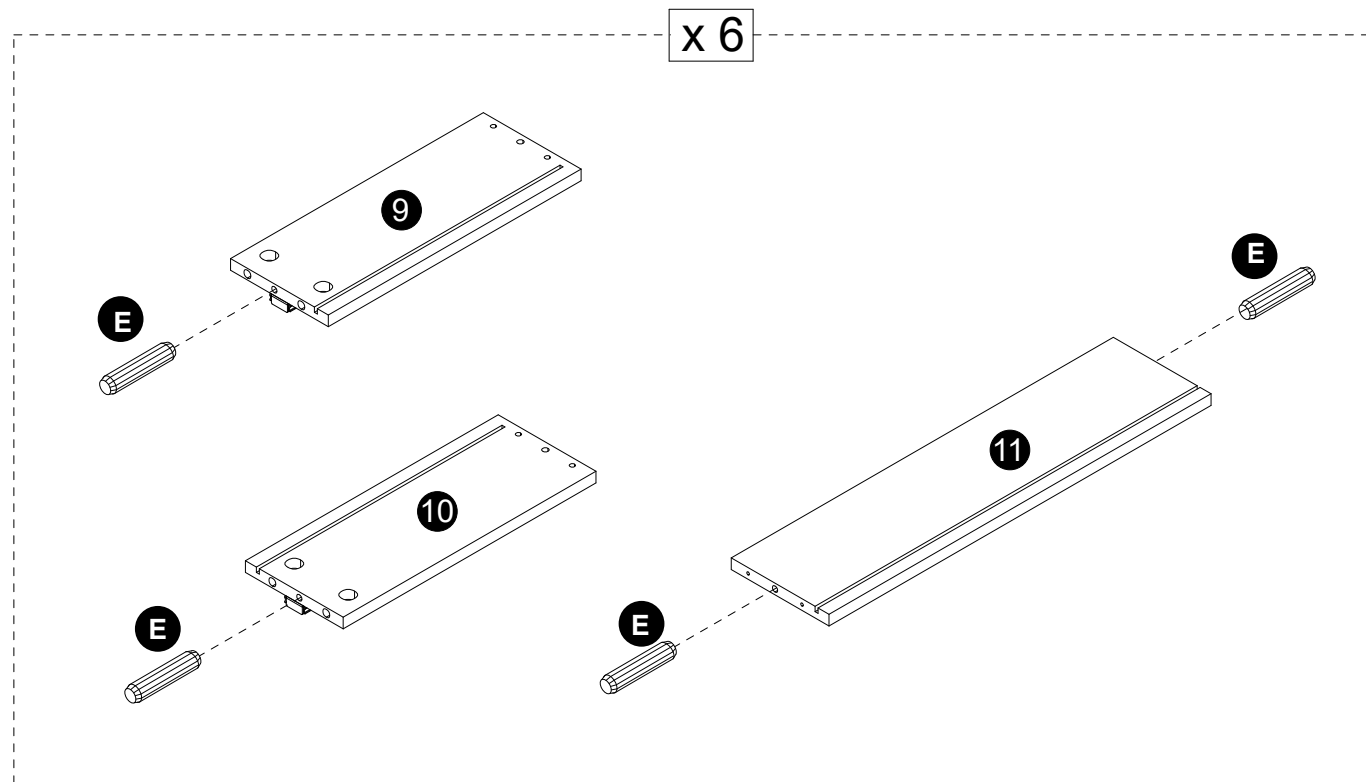
If the ground is uneven, adjust the foot levelers by rotating them to your preferred height. Once the desk is standing and the levelers are adjusted, make sure the unit does not wobble.

- Attach panel (13) to panel (2).
- Attach parts (Q) to panels (1,3,4) with screws (R).
- Stick the skid pads (G) on the bottom of the legs.

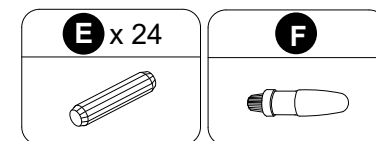
<b>G</b> x 4	<b>Q</b> x 2	<b>R</b> x 4
		

# 10

## INSTALLATION STEPS

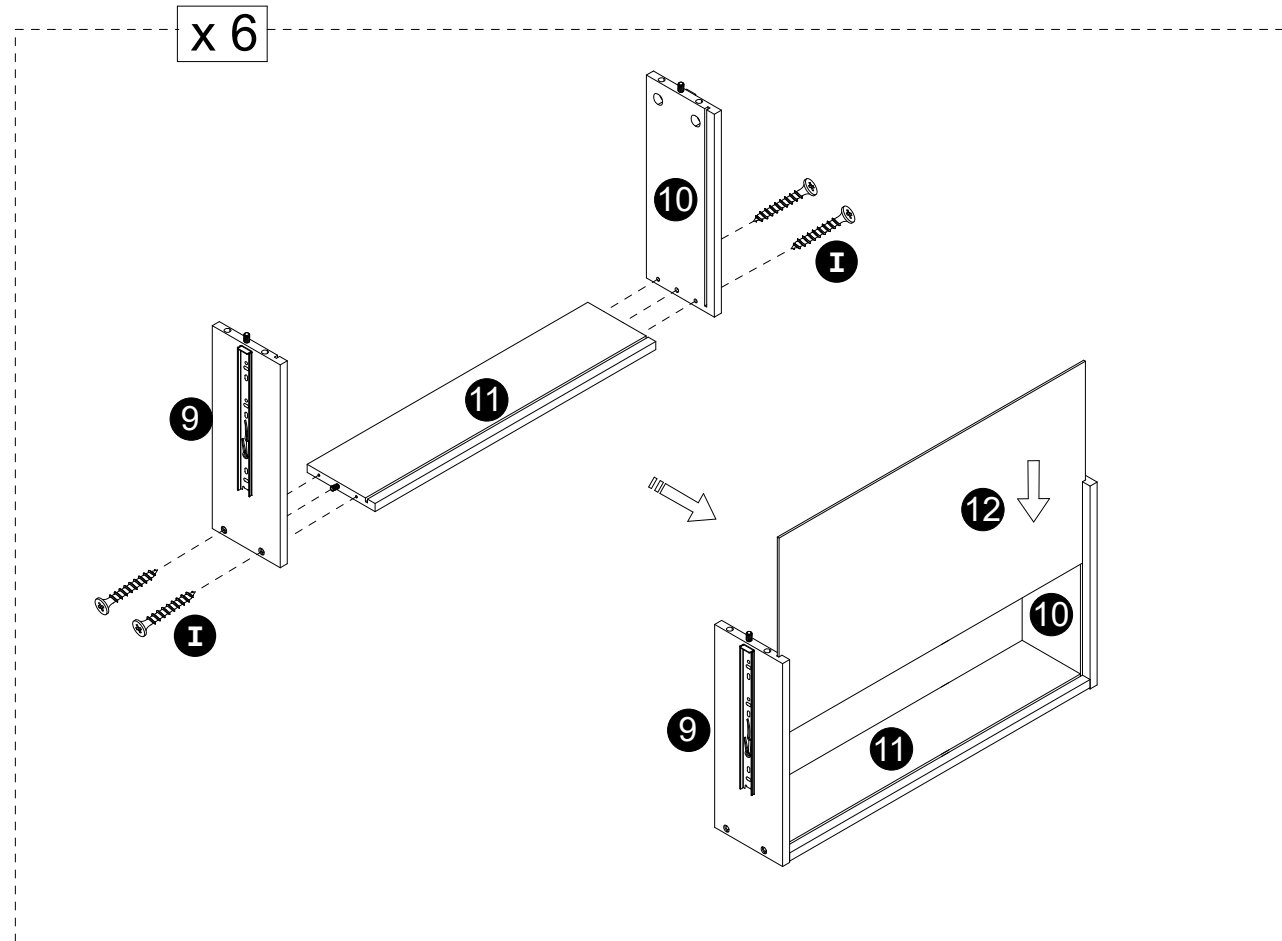


· Insert dowels (E) into panels (9,10,11).

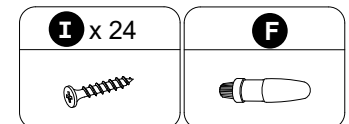


# 11

## INSTALLATION STEPS

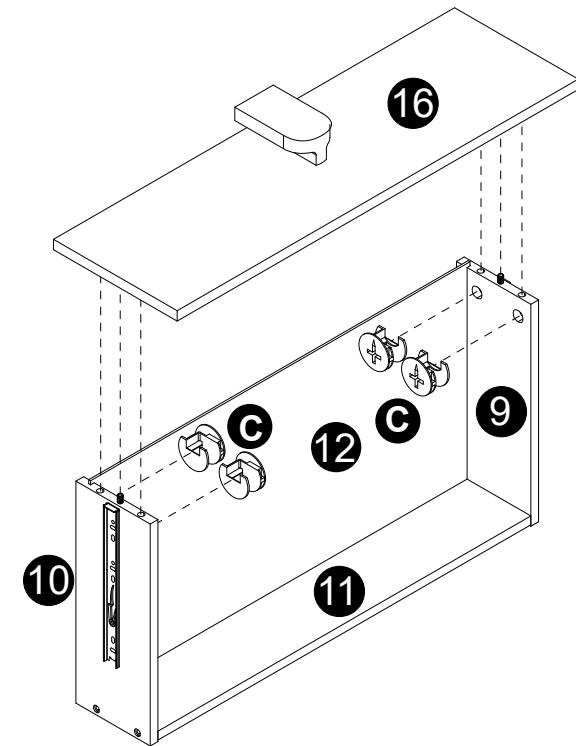
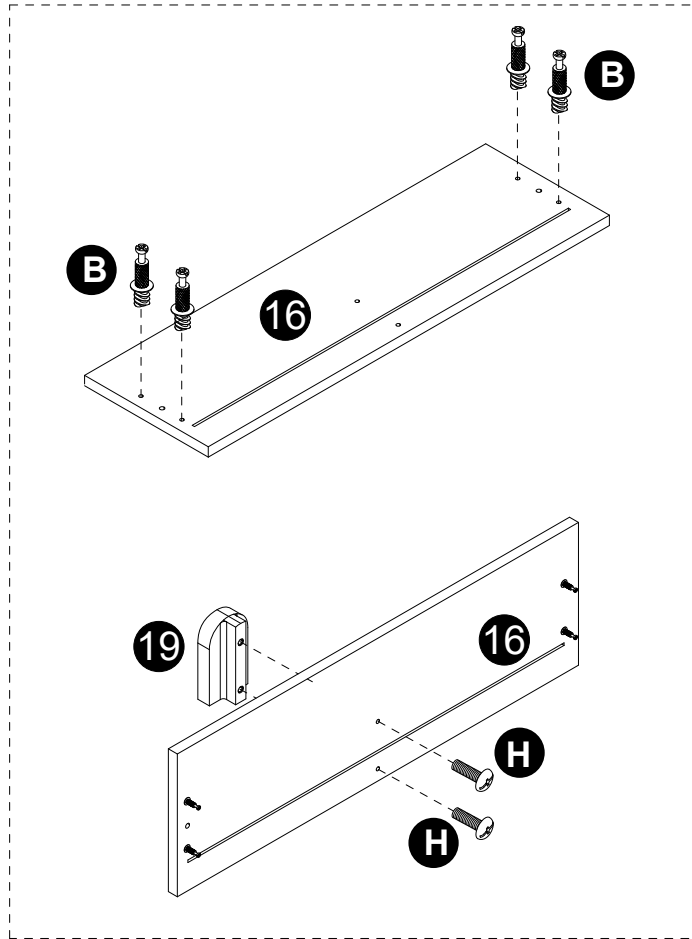
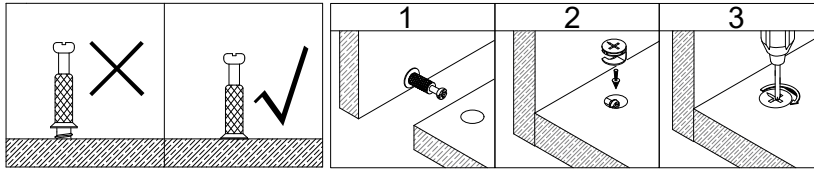


- Attach panels(9,10) to panel (11)with screws(I).
- Carefully slide panel (12) into place along the bottom of the assembly.

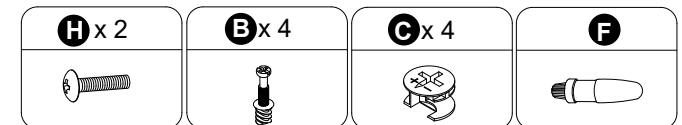


# 12

## INSTALLATION STEPS

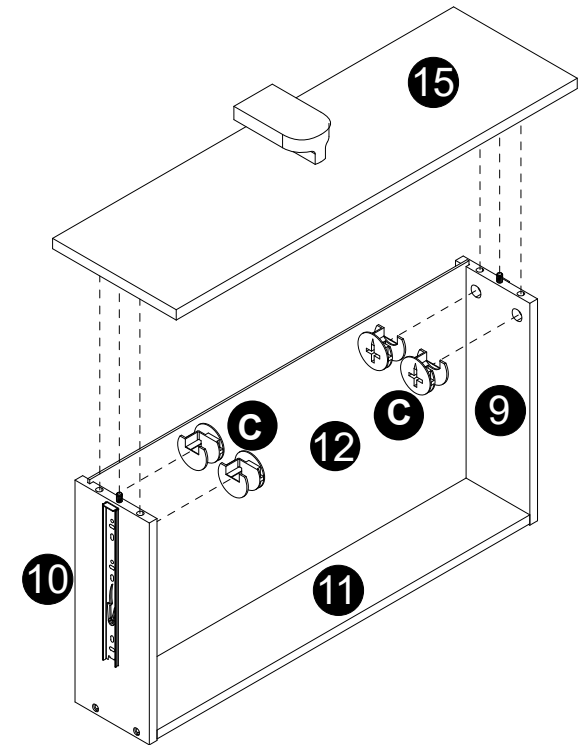
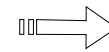
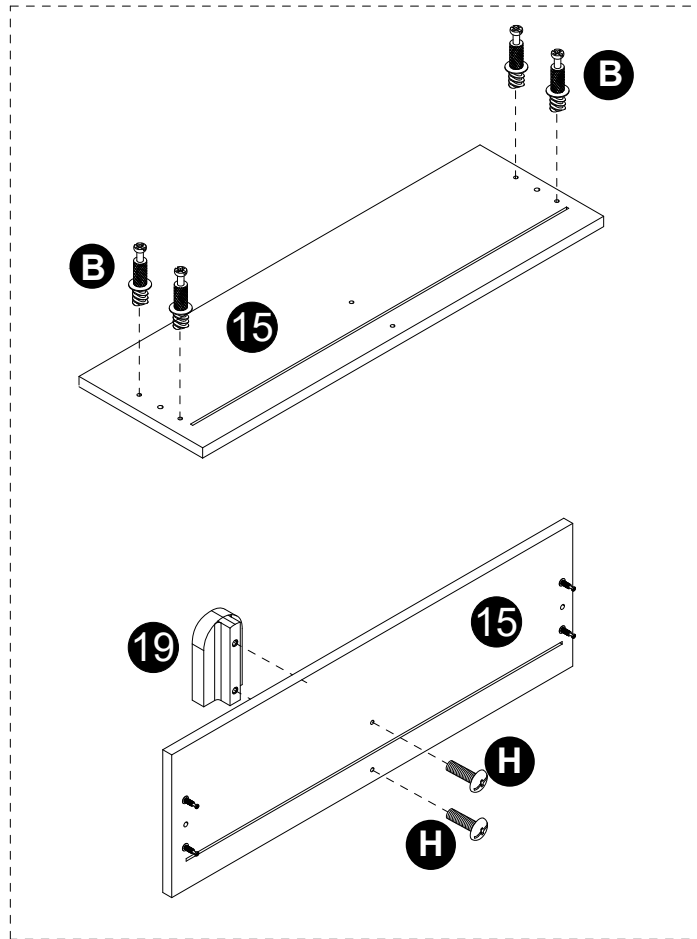
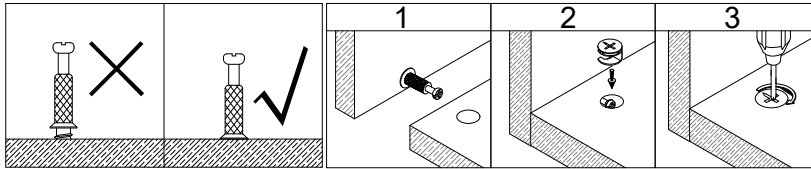


- Screwcams (B) into panel (16).
- Attach panel (19) to panel (16) with bolts (H).
- Attach panel (16) to panels (9,10).
- Insert and secure cam locks (C) to panels (9,10) to lock it.

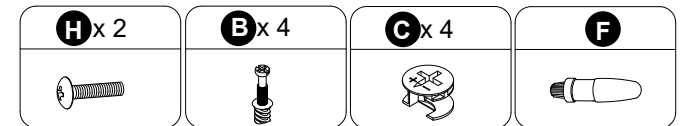


# 13

## INSTALLATION STEPS

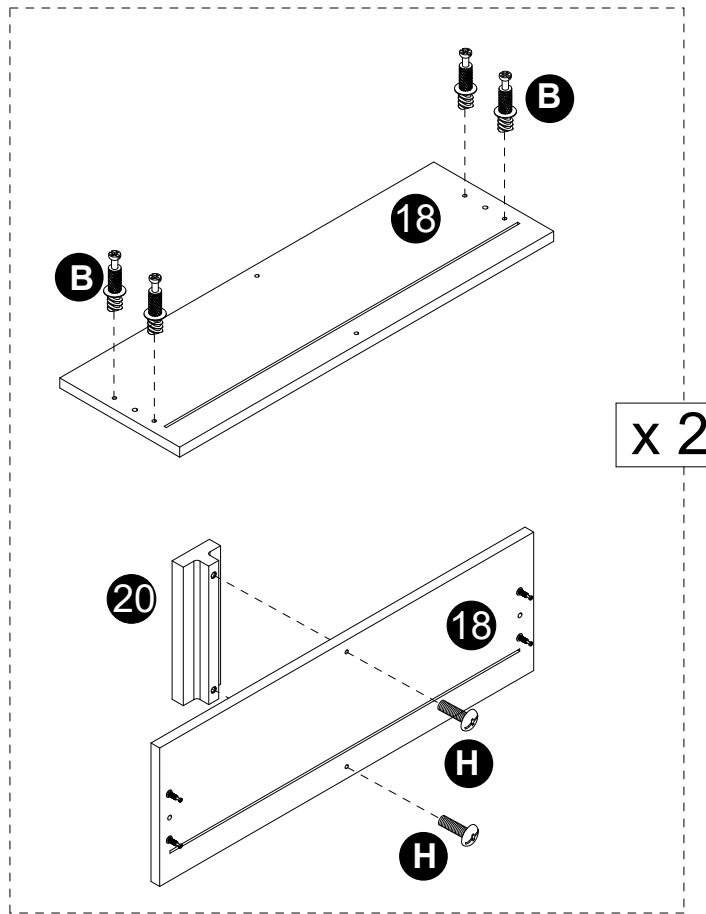
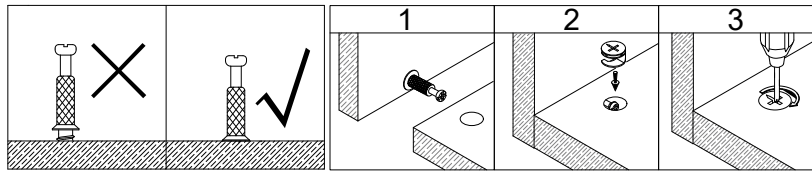


- Screwcam bolts (B) into panel (15).
- Attach panel (19) to panel (15) with bolts (H).
- Attach panel (15) to panels (9,10).
- Insert and secure cam locks (C) to panels (9,10) to lock it.

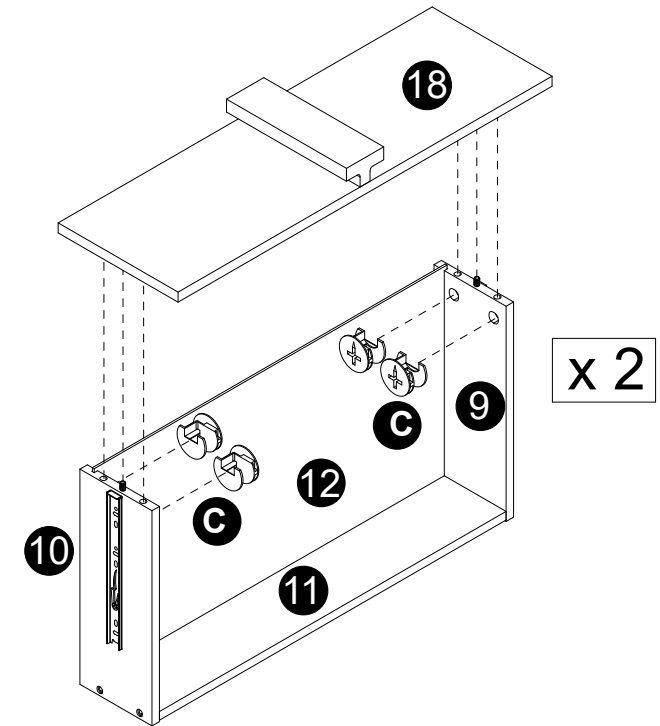
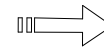


# 14

## INSTALLATION STEPS

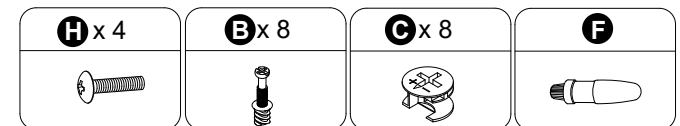


x 2



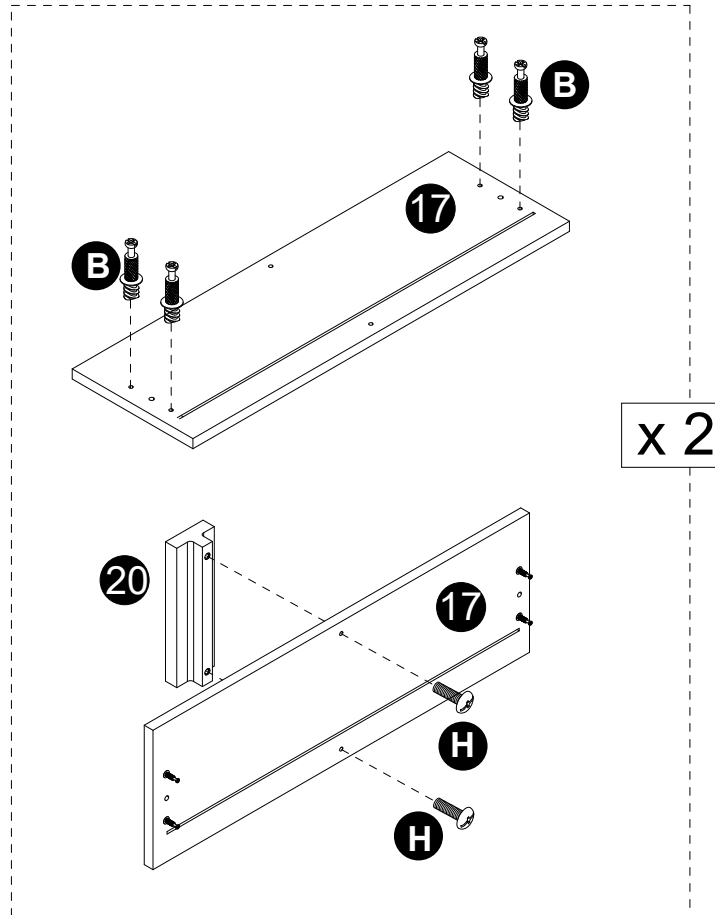
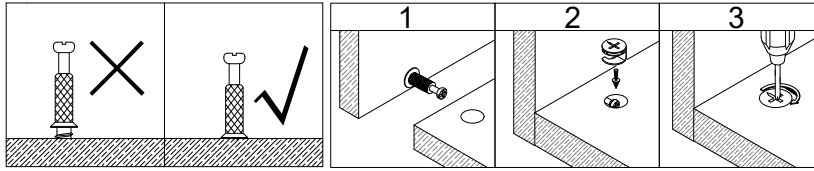
x 2

- Screwcam bolts (B) into panel (18).
- Attach panel (20) to panel (18) with bolts (H).
- Attach panel (18) to panels (9,10).
- Insert and secure cam locks (C) to panels (9,10) to lock it.

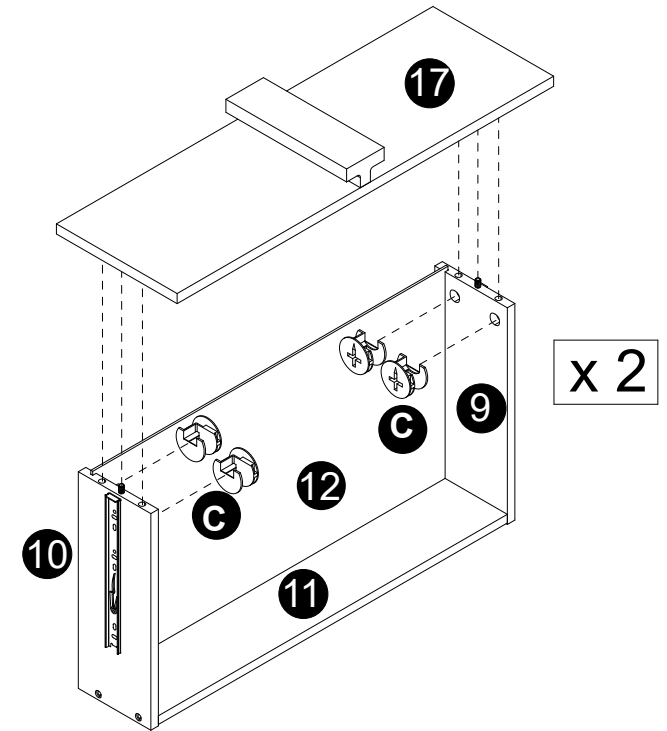


# 15

## INSTALLATION STEPS

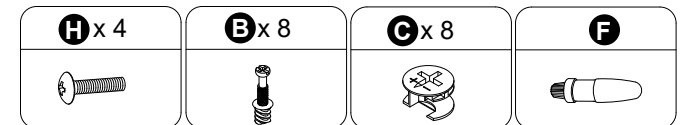


x 2



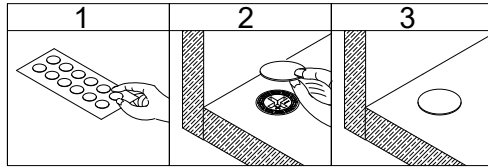
x 2

- Screwcam bolts (B) into panel (17).
- Attach panel (20) to panel (17) with bolts (H).
- Attach panel (17) to panels (9,10).
- Insert and secure cam locks (C) to panels (9,10) to lock it.

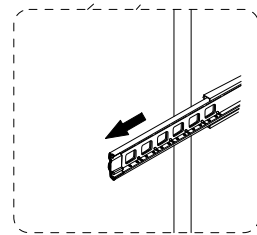
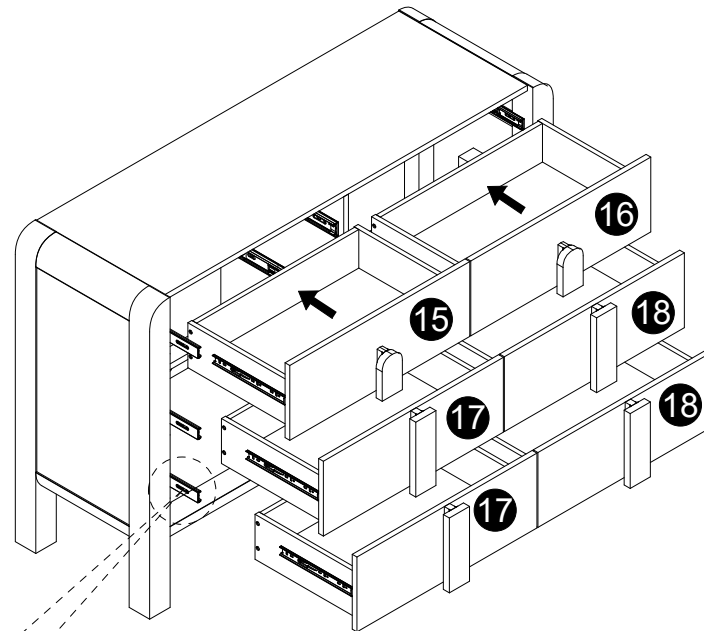


# 16

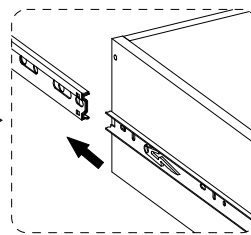
## INSTALLATION STEPS



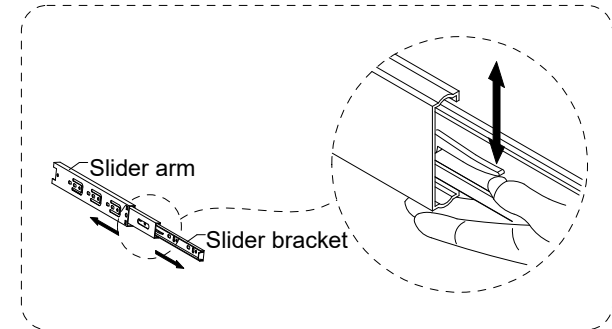
· Stick stickers (D) on cam locks (C).



Step 1



Step 2



· Assembled the drawers as per diagram

Note :

If the drawer does not go in smoothly.  
Press or lift the plastic release lever.  
Pull out the slider bracket from  
the slider arm.

Loosen the screws on slider brackets,  
You can adjust up or down by a few mm.  
Then tighten back up.  
Finally re-assembled the drawer until  
they were going in smoothly well.

# 17

## INSTALLATION STEPS

### WARNING

Serious or fatal injuries can occur from furniture tipping over. To prevent the furniture from tipping over we recommend that it is permanently fixed to the wall. Wall anchor and hardware are included with this product. Please make sure hardware is suitable for your walls before installing, as different wall materials may require different types of anchors.

