



# Bakersfield™

Undermount single-bowl kitchen sink  
**K-5832-5U**

## Features

- 33" (838 mm) minimum base cabinet width.
- Single bowl.
- 8" (203 mm) depth.
- Five oversized faucet holes.
- Oversized holes allow for easy installation of faucets and accessories.
- Sink drain with strainer sold separately.

## Material

- KOHLER® enameled cast iron.

## Installation

- Undermount installation kit not included.
- Undermount.

## Recommended Products/Accessories

- K-6517 Sink Rack
- K-6539 Drainboard with Sink Rack
- K-8801 Sink drain and strainer with tailpiece
- K-8799 Sink drain and strainer basket
- K-11352 Disposal Flange with Stopper
- K-9000 P-Trap
- 1411886
- K-23726 Drain treatment
- K-23725 Cast iron cleaner



## Codes/Standards




ASME A112.19.1/CSA B45.2

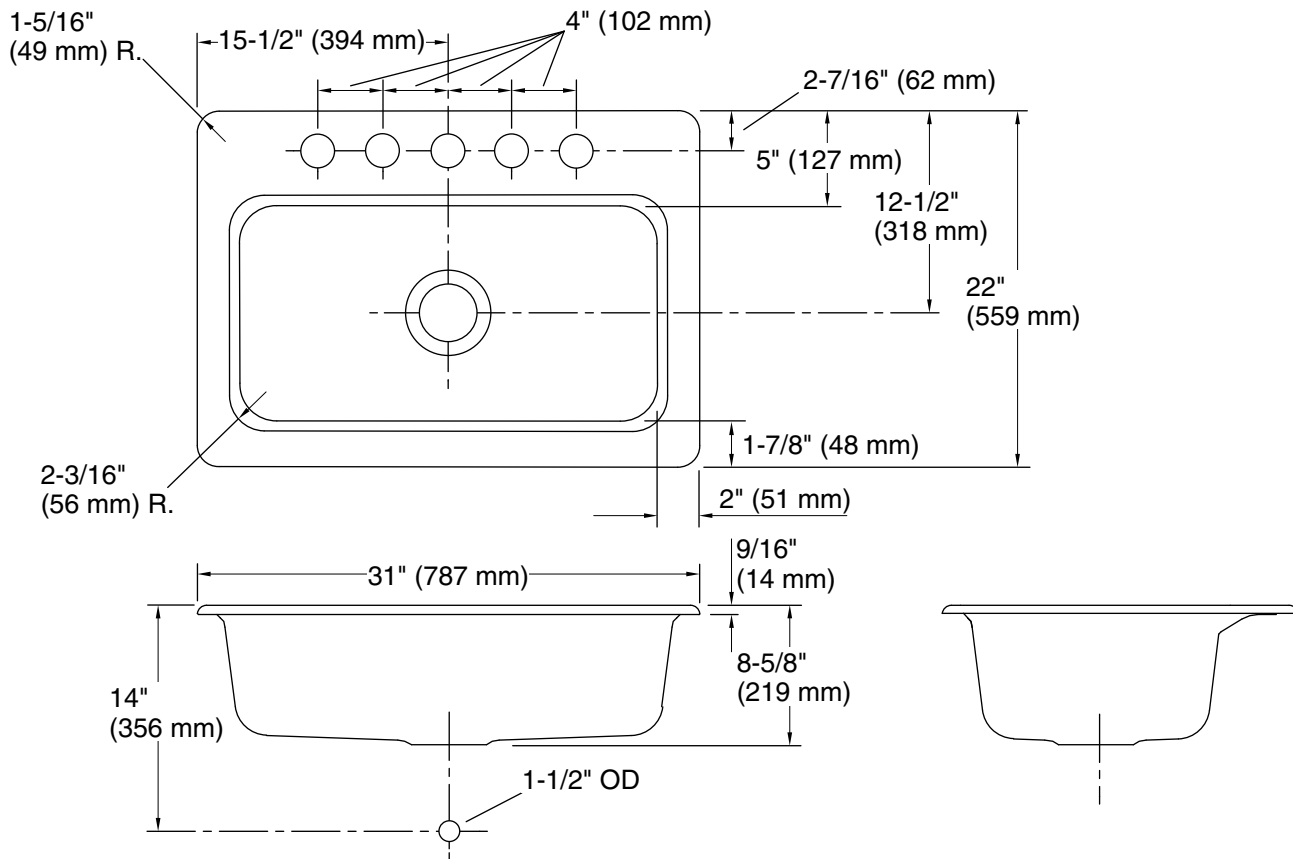
## KOHLER® Enameled Cast Iron Kitchen Sink Lifetime Limited Warranty

See website for detailed warranty information.

## Available Colors/Finishes

*Color tiles intended for reference only.*

Color	Code	Description
	0	White
	96	Biscuit
	7	Black Black™



### Technical Information

All product dimensions are nominal.

Bowl configuration:	Single
Installation:	Undermount
Min. base cabinet width:	33" (838 mm)
Bowl area:	Length: 27" (686 mm) Width: 15" (381 mm) Bowl depth: 8" (203 mm)
Number of deck holes:	5
Faucet hole(s):	2-3/8" (60 mm)
Drain hole:	3-5/8" (92 mm)
Template:	1139754-7, required, included

### Notes

Install this product according to the installation instructions.

Faucet holes in under-mount fixture are oversized at  $\varnothing$  2-3/8" (60 mm). Drill faucet holes in counter according to fitting rough-in.