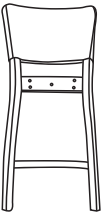
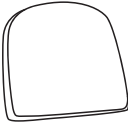

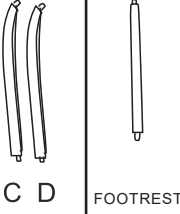
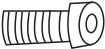
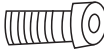




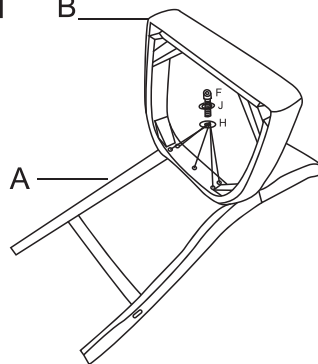


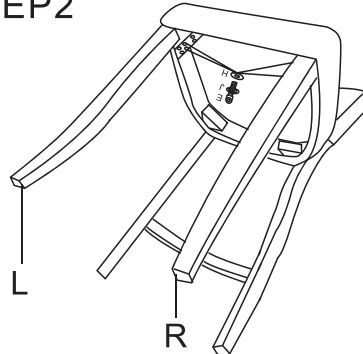
	Ax1 BACK	Bx1 SEAT	Cx2 FRONT LEGS	Dx3 SIDESTRETCHERS-CD FOOTREST	Ex4 SCREWS	Fx5 SCREWS	Gx6 TAPPING SCREWS	Hx9 WASHER	Ix1 SPANNER	Jx9 SPRING WASHER
										
					M8x60mm	M8x50mm	M4.5x45mm			

STEP1



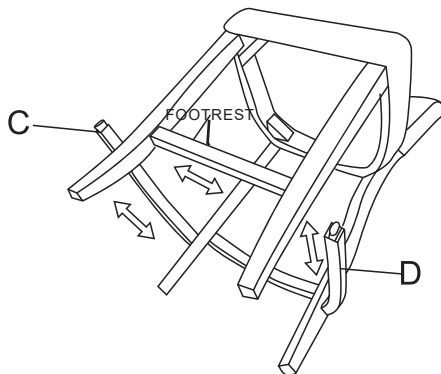
Loosely install the center bolt first, then loosely install both sides

STEP2



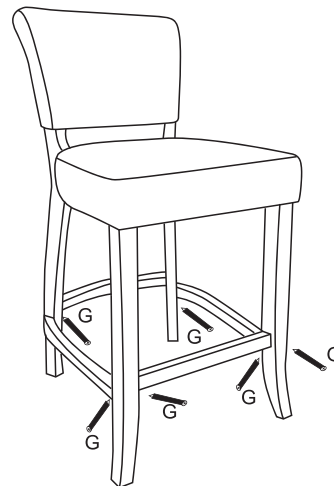
Firm pressure is required to push legs into the leg pockets

STEP3



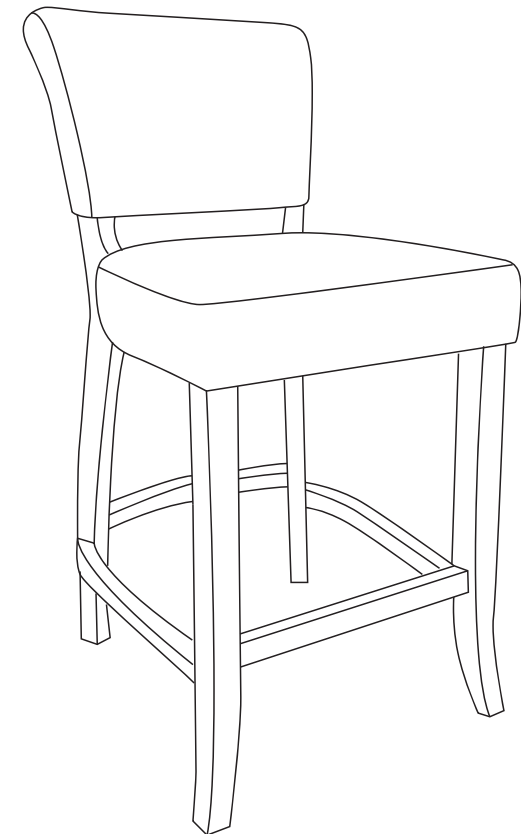
Note: Side stretchers are directional

STEP4



Tighten all bolts properly on even ground

ASSEMBLY INSTRUCTION



CLEANING OF PU\LEATHER COVER - WIPE CLEAN WITH A SOFT CLOTH MOISTENED WITH WATER AND NEUTRAL DETERGENT. DO NOT USE BLEACH,CHEMICAL OR BIOLOGICAL CLEANERS.