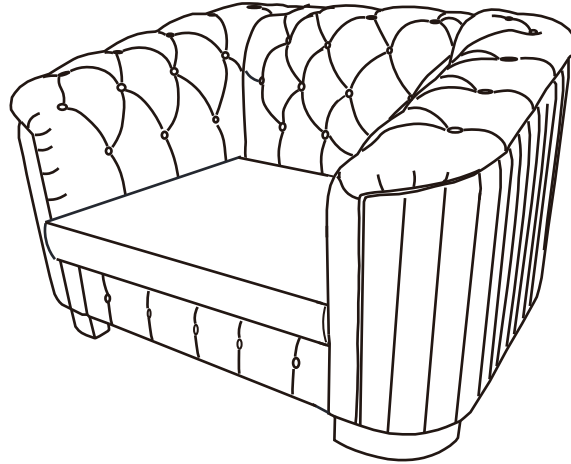

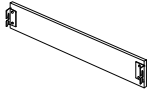

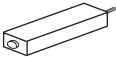
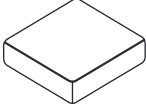
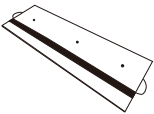
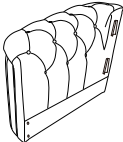
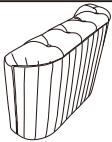


ASSEMBLY INSTRUCTIONS

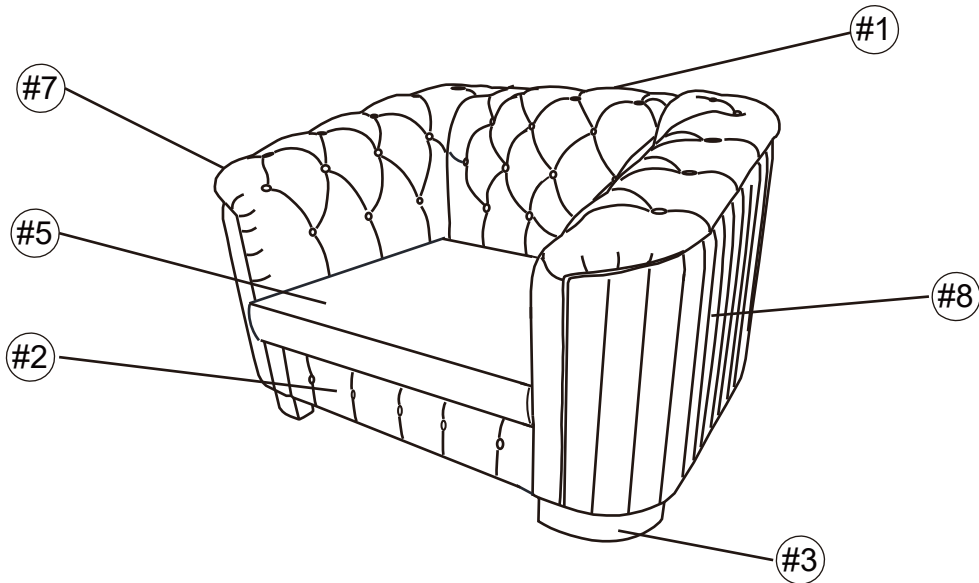
SINGLE SOFA



SINGLE SOFA is packed in 3 cases

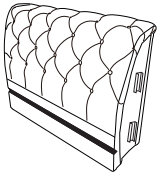
Carton	Disignation	Part	Hardware
1/3	Backrest	#1 	#A #B #C #D #E #F
	Former board	#2 	
	Leg	#3 	
	Support leg	#4 	
2/3	Cushion	#5 	
	Riser plate	#6 	
3/3	Left arm	#7 	
	Right arm	#8 	

ASSEMBLY INSTRUCTIONS



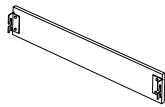
PARTS

#1 1 pc



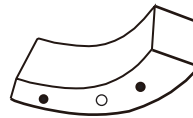
Backrest

#2 1 pc



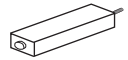
Former board

#3 4 pcs



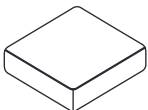
Leg

#4 2 pcs



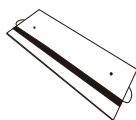
Support leg

#5 1 pc



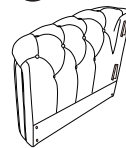
Cushion

#6 1 pc



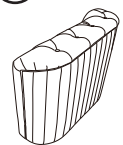
Riser plate

#7 1 pc



Left arm

#8 1 pc



Right arm

HARDWARE

#A 4 pcs



BOLT 1-1/2" L

#B 1 pc



ALLEN KEY 100mm L

#C 8 pcs



FLAT WASHER 16mm

#D 8 pcs



SPRING WASHER

#E 8 pcs



Screw 60mm L

#F 4 pcs

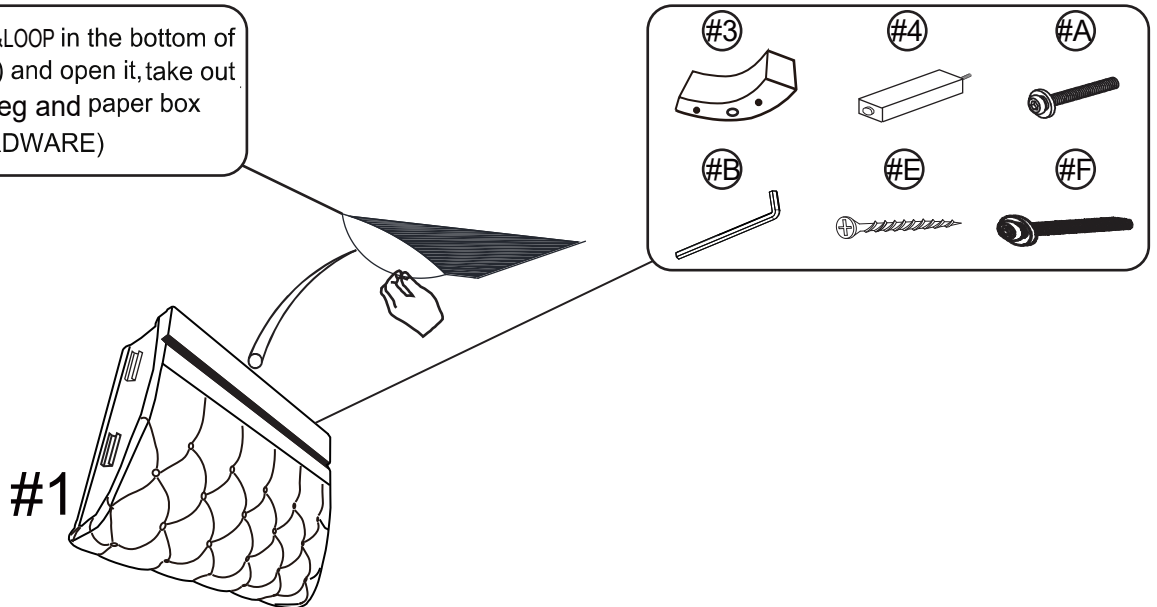


BOLT 2-1/2" L

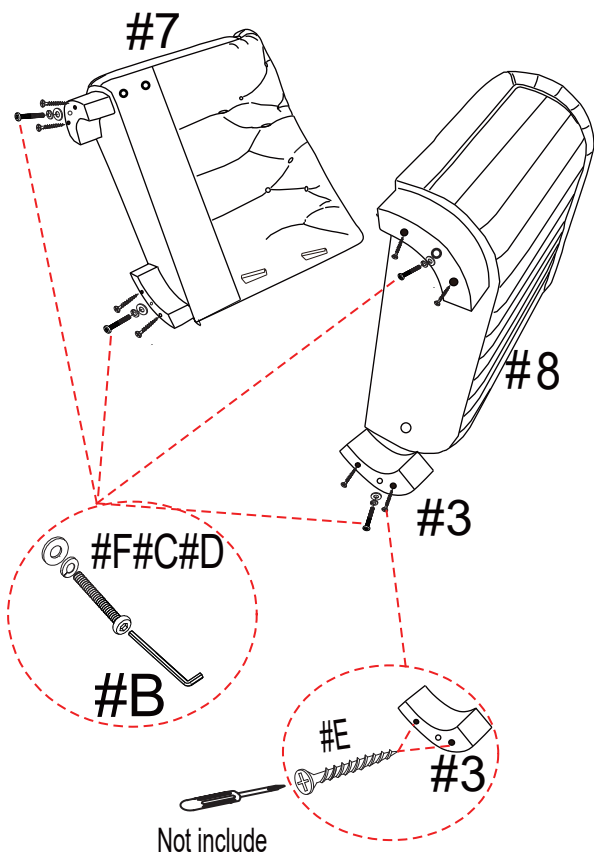
ASSEMBLY INSTRUCTIONS

STEP 1:

Pull the HOOK&LOOP in the bottom of backrest (#1) and open it, take out #4 support leg and paper box (legs(#3)HARDWARE)



STEP 2:



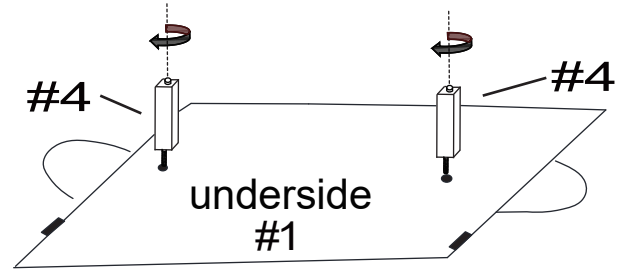
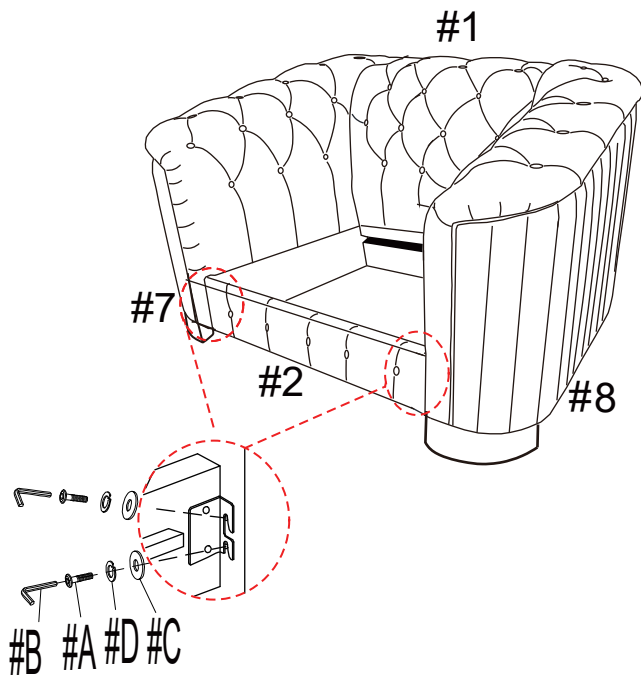
STEP 3:



ASSEMBLY INSTRUCTIONS

STEP4:

STEP5:



STEP6:

STEP7:

