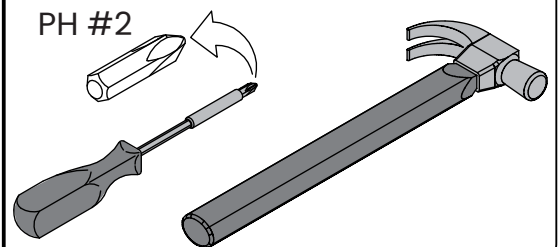
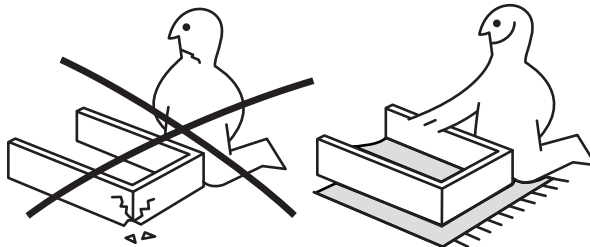
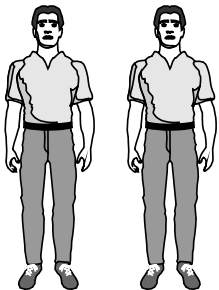
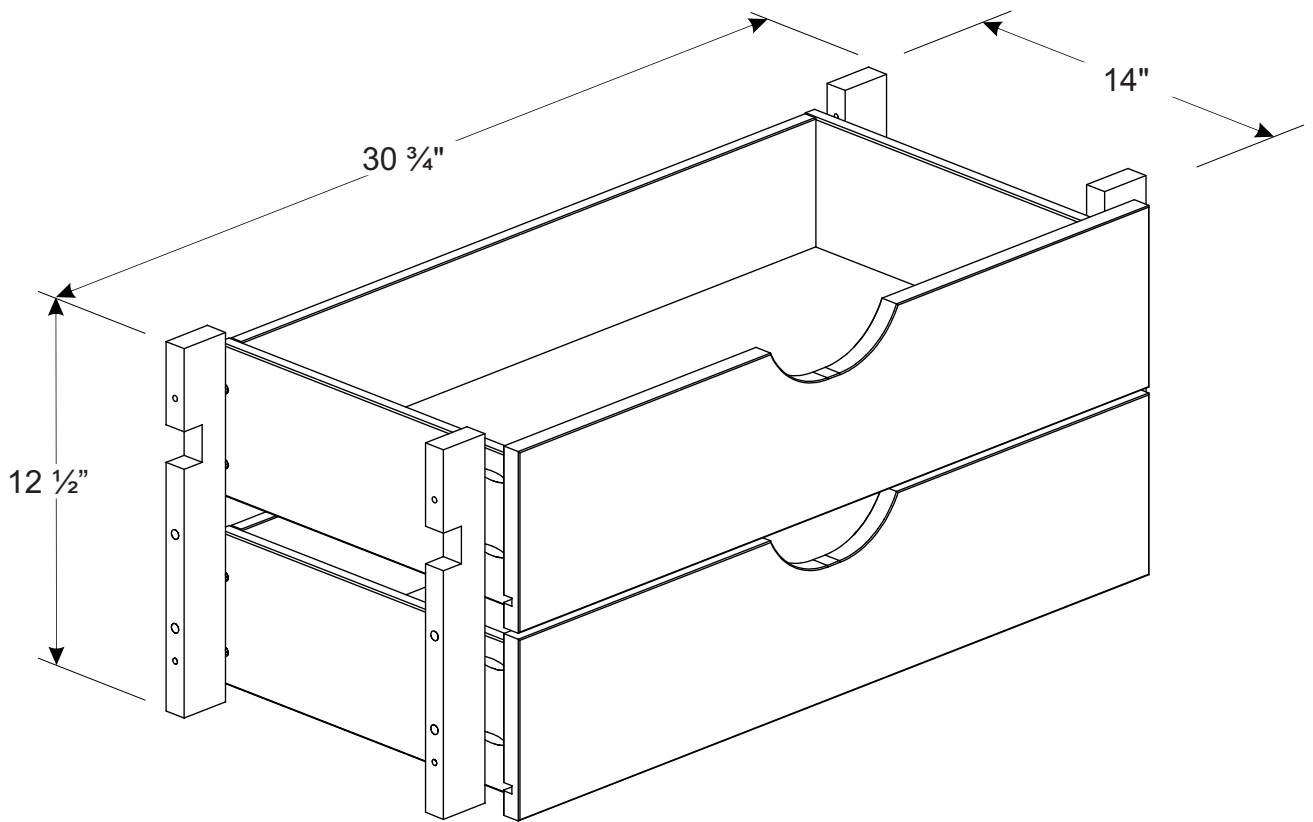


# ASSEMBLY GUIDE

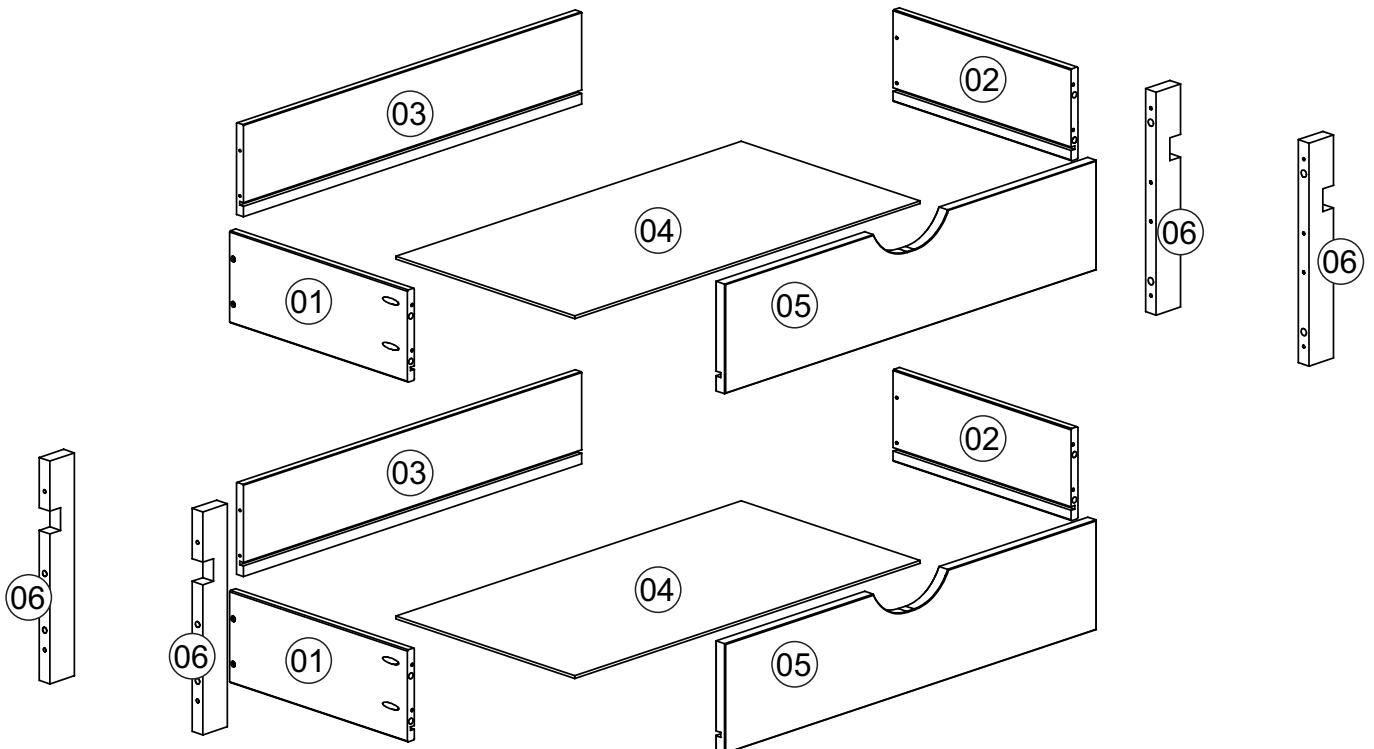
## PANTRY PULL OUT 2-DRAWER UNIT







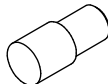
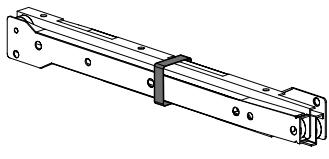
# PRE-ASSEMBLY PREPARATION

- Please check the contents before assembling. A full checklist of parts is provided below.
- If any parts are missing or damaged, please contact us
- Assemble on a flat, smooth surface on top of a blanket.
- Use only low-speed power drill setting.
- Assemble as near as possible to the point of use.
- The hardware pack contains SMALL ITEMS which should be KEPT AWAY FROM YOUNG CHILDREN.

## PARTS DIAGRAM

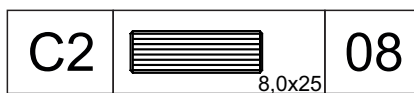
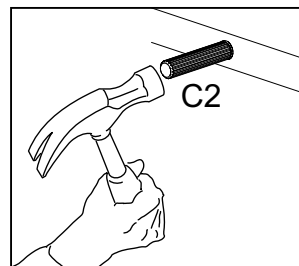
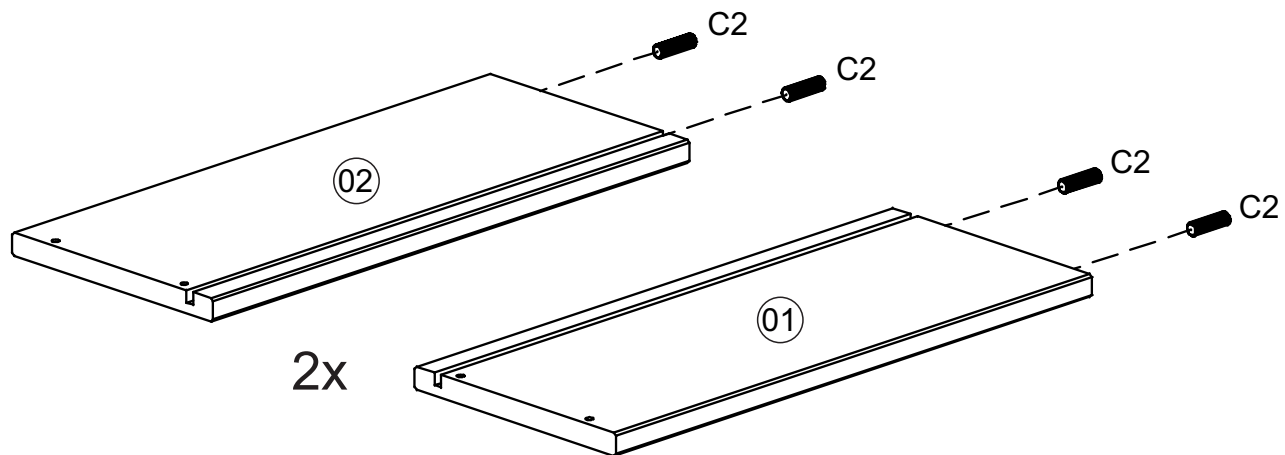


SCREWS ARE SHOWN IN ACTUAL SIZE

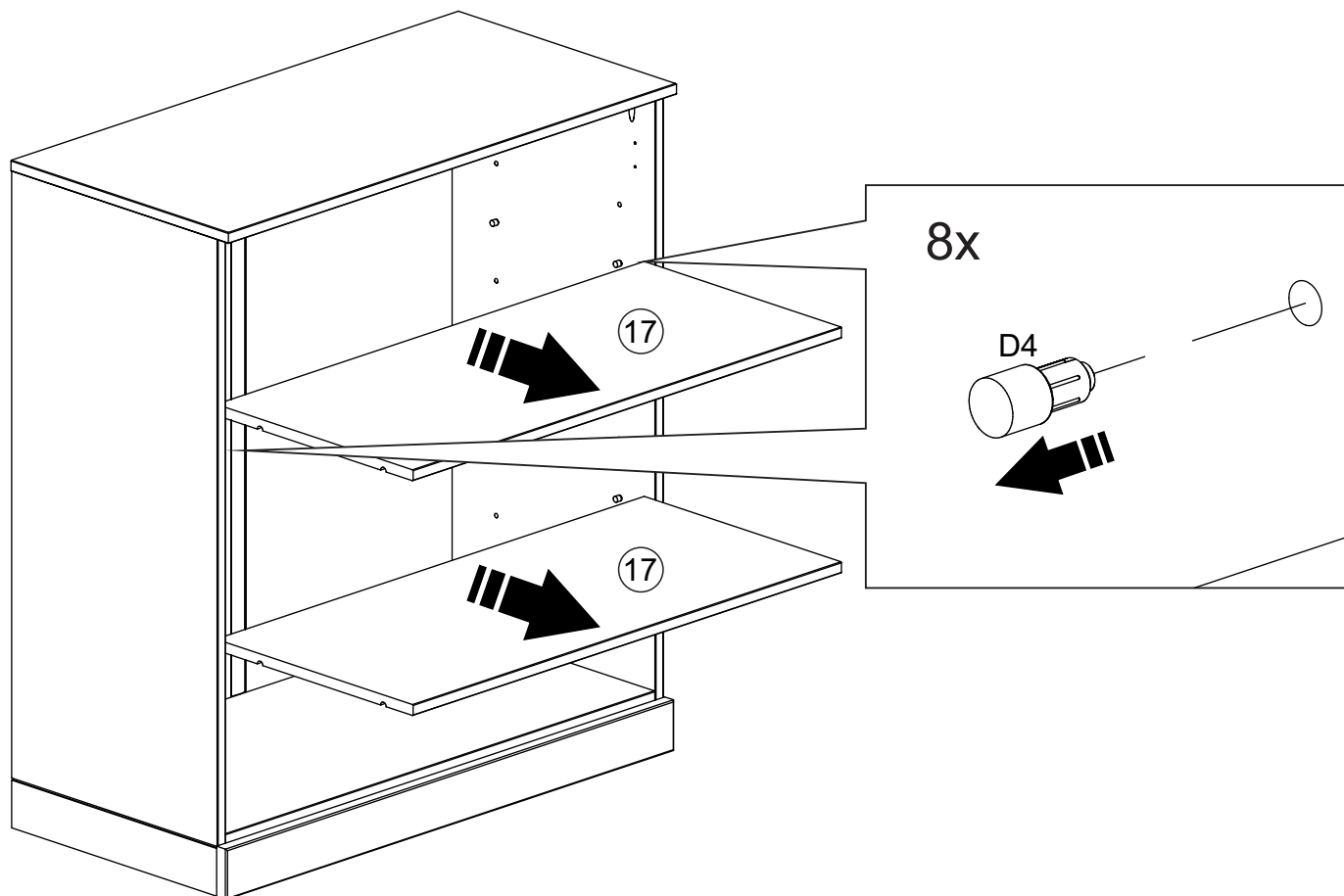
|     |  |      |
|-----|--|------|
| A1  | <br>4,0x30      | 24+2 |
| A42 | <br>4,0x14      | 08+1 |
| B31 | <br>6,0x10      | 08+1 |
| C2  | <br>8,0x25      | 08+1 |
| D4  |                 | 08+1 |
| E1  | <br>330mm - 13" | 02   |
| E2  |  | 02   |

 **WARNING:**  
**CHOKING HAZARD**  
 Small Parts.  
 Adult Supervision Required.  
 Not for children under 3 years old.

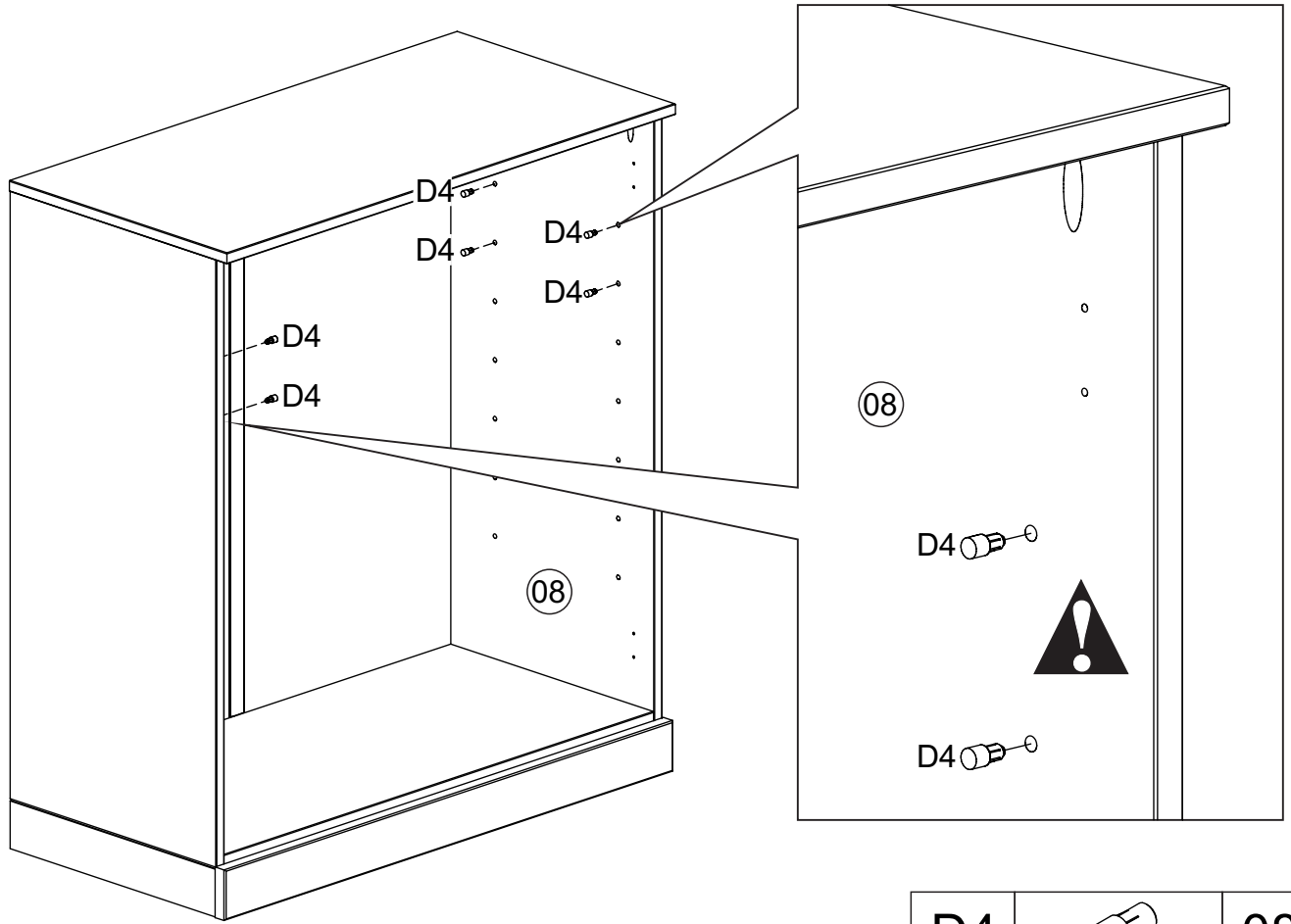
01)

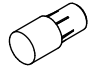


02)

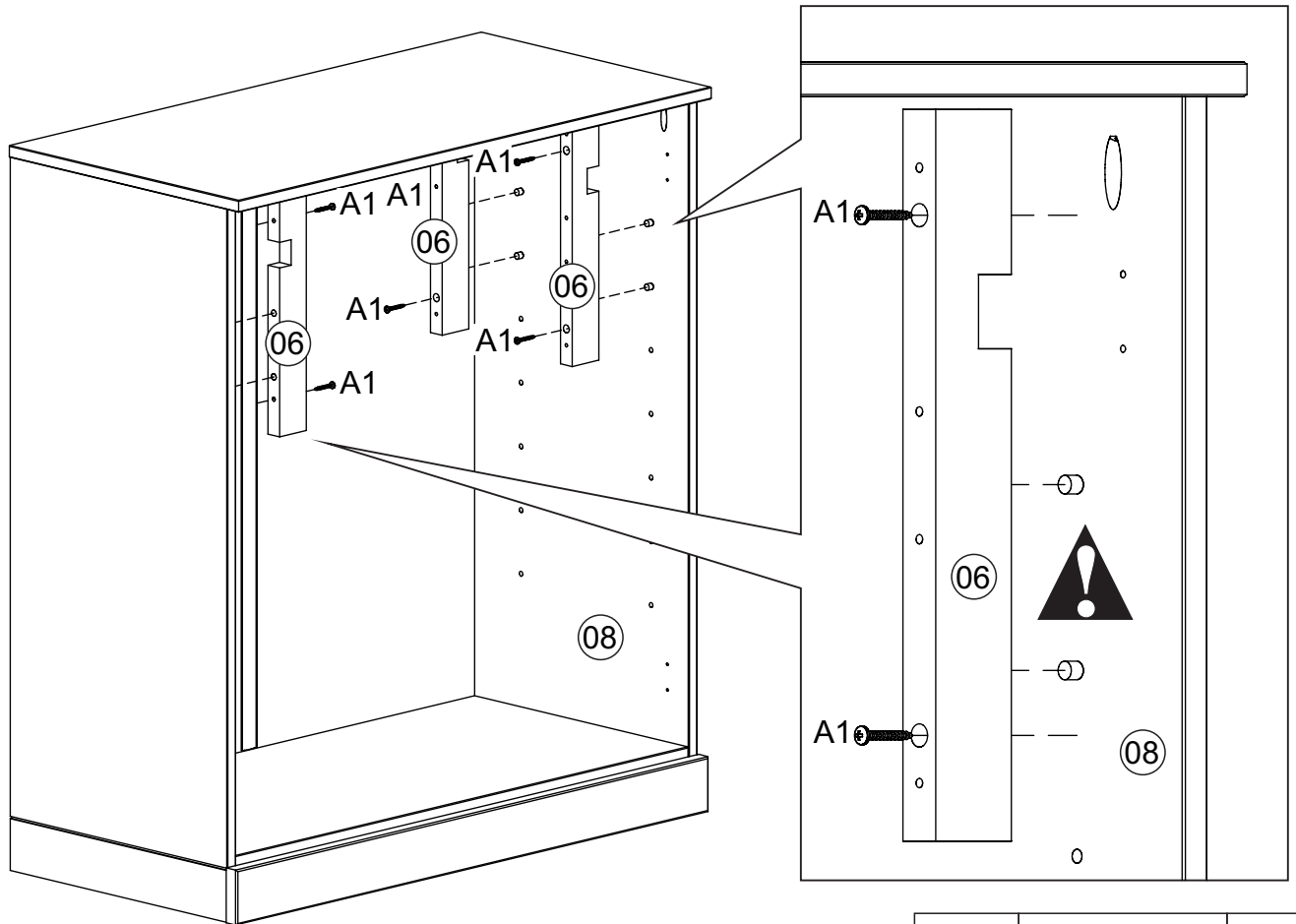


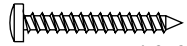
03)



|    |   |    |
|----|---|----|
| D4 |  | 08 |
|----|---|----|

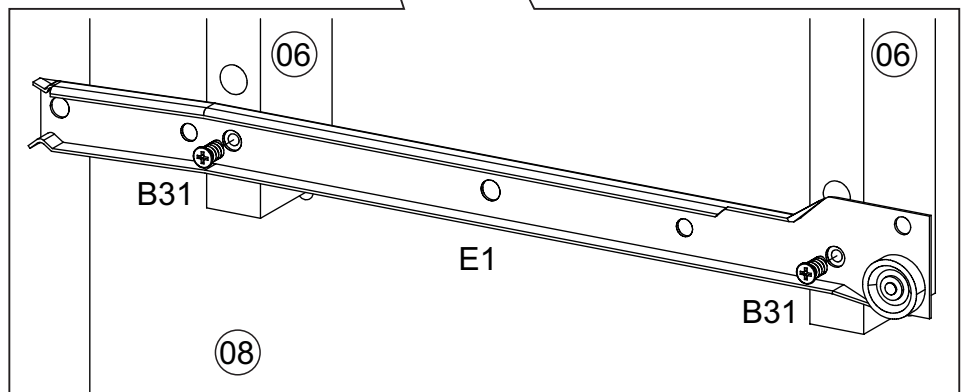
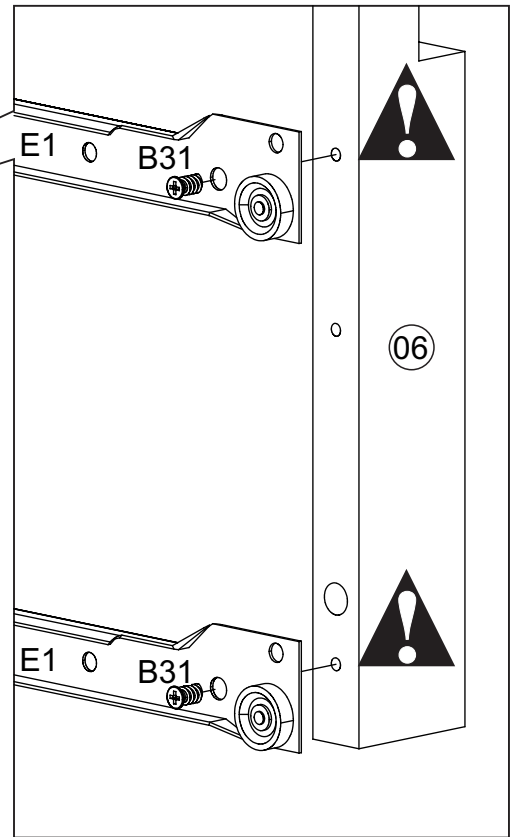
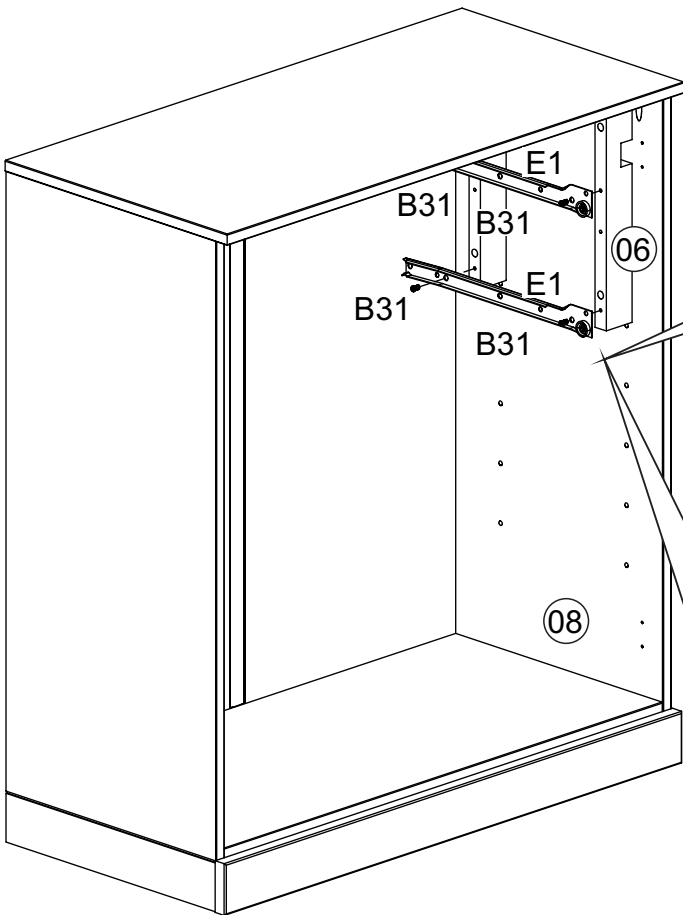
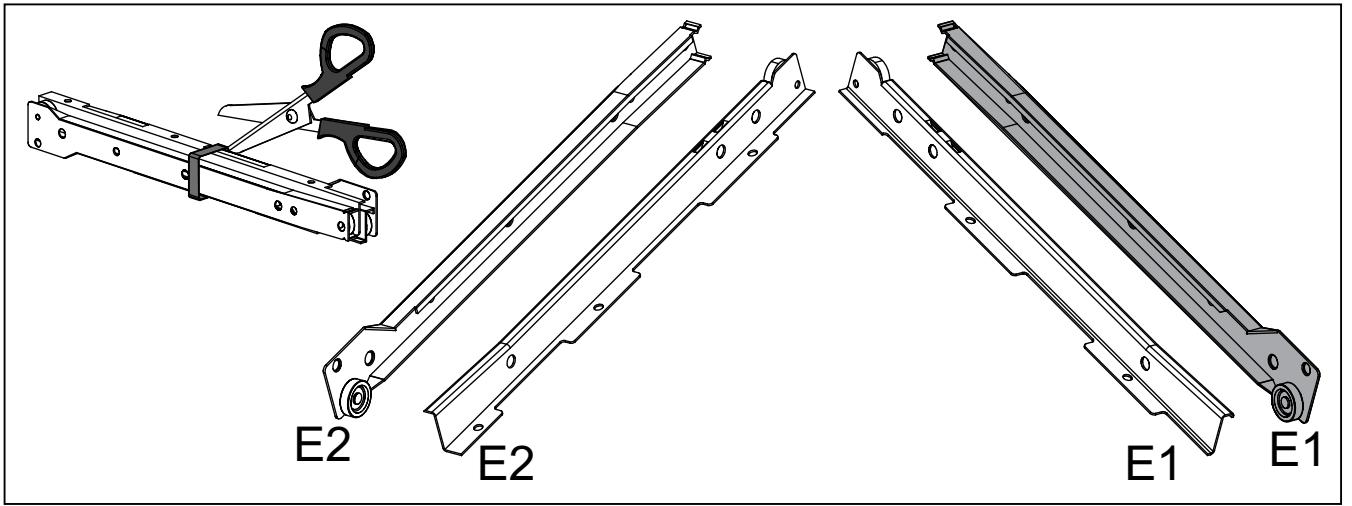
04)


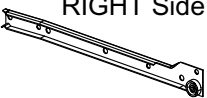


|    |   |    |
|----|---|----|
| A1 |  | 08 |
|----|---|----|

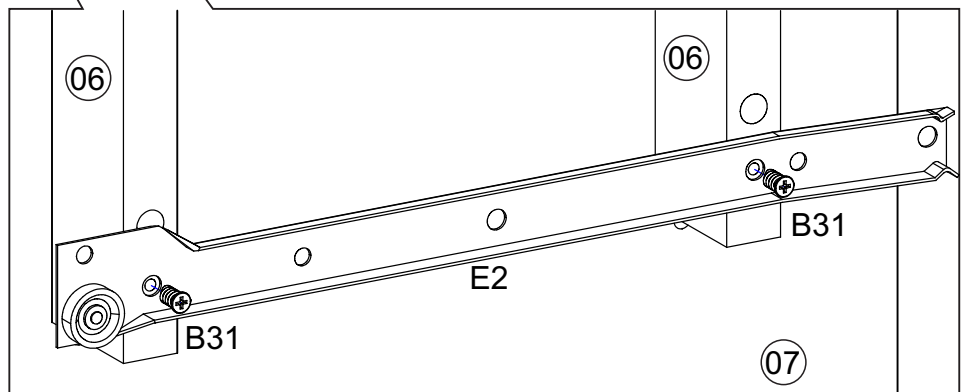
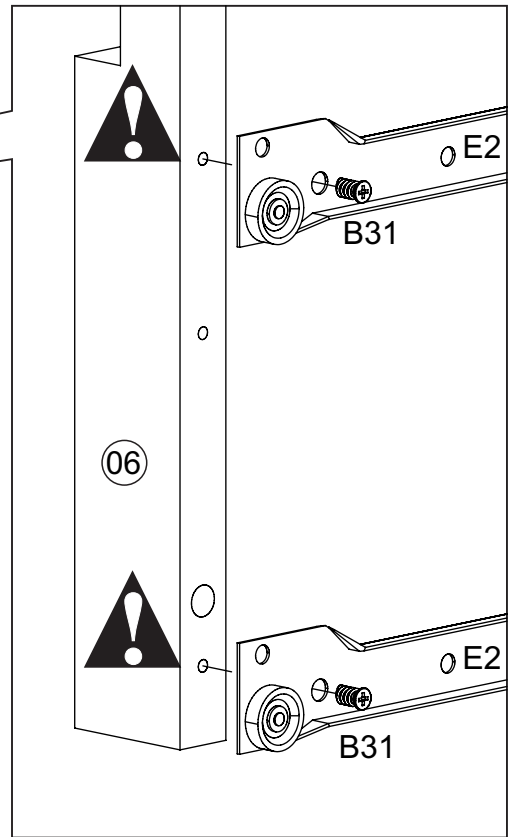
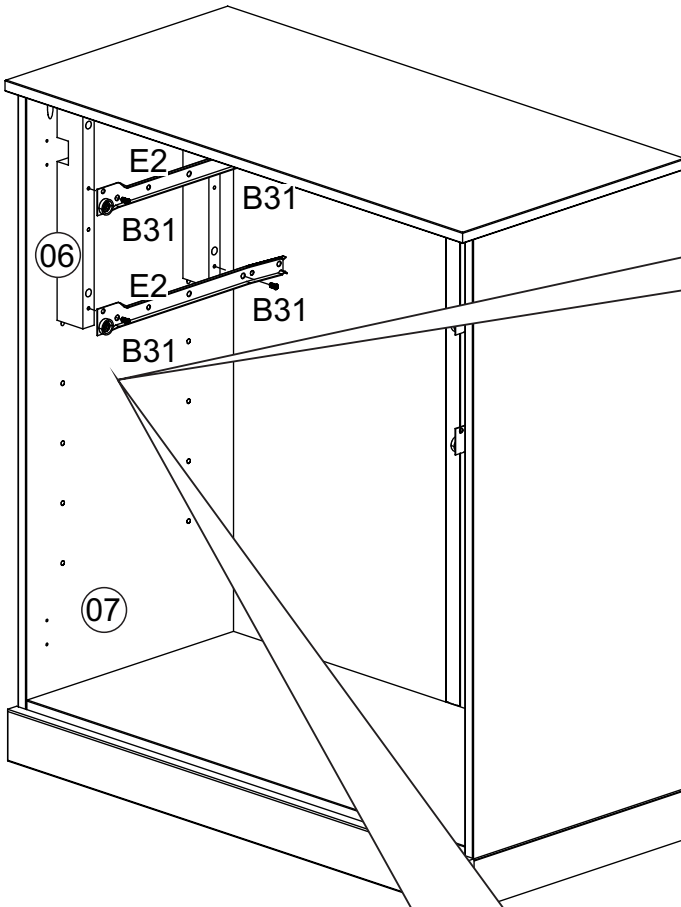
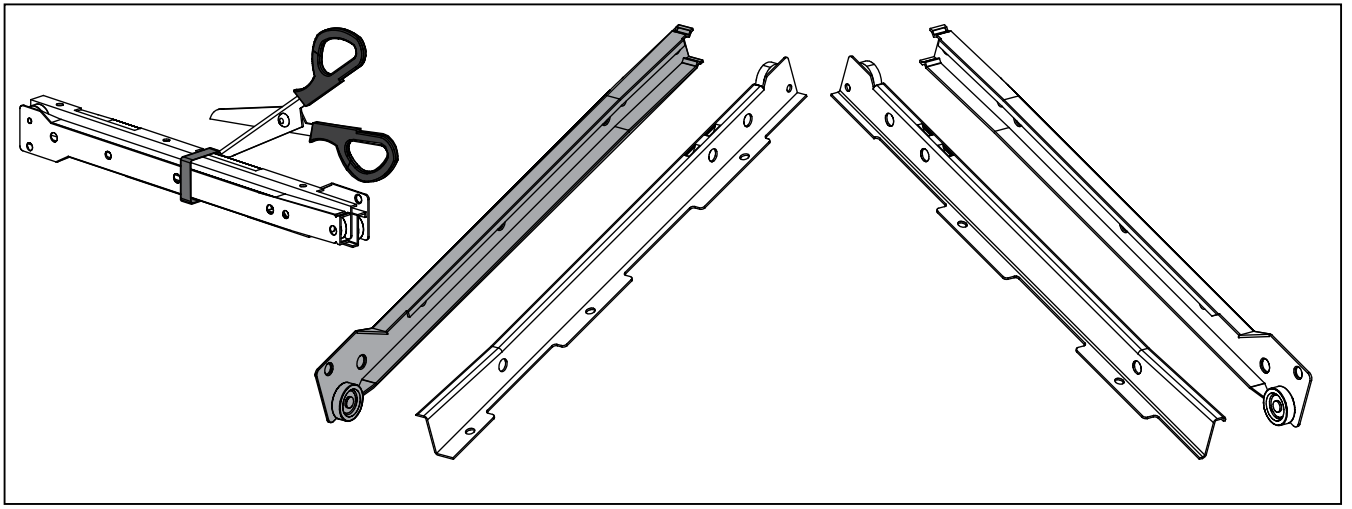
4.0x30


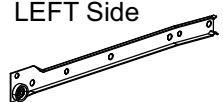
05)



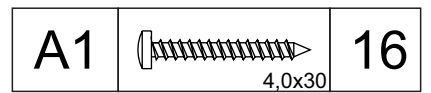
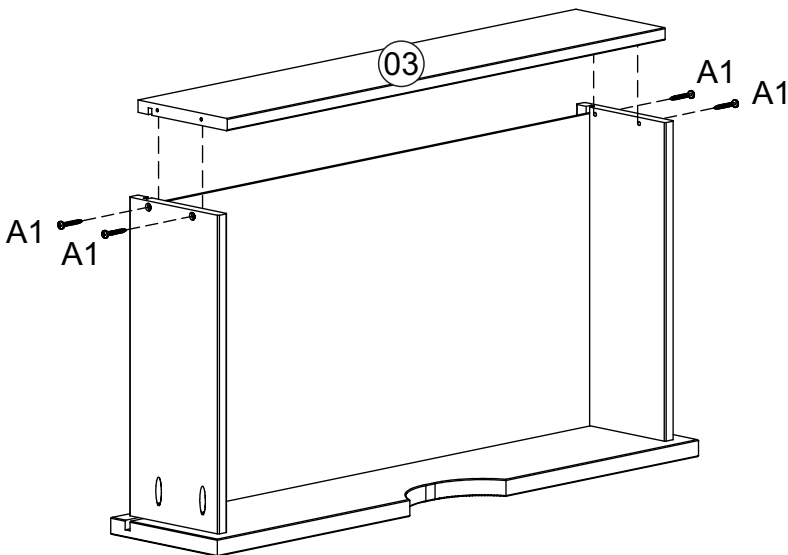
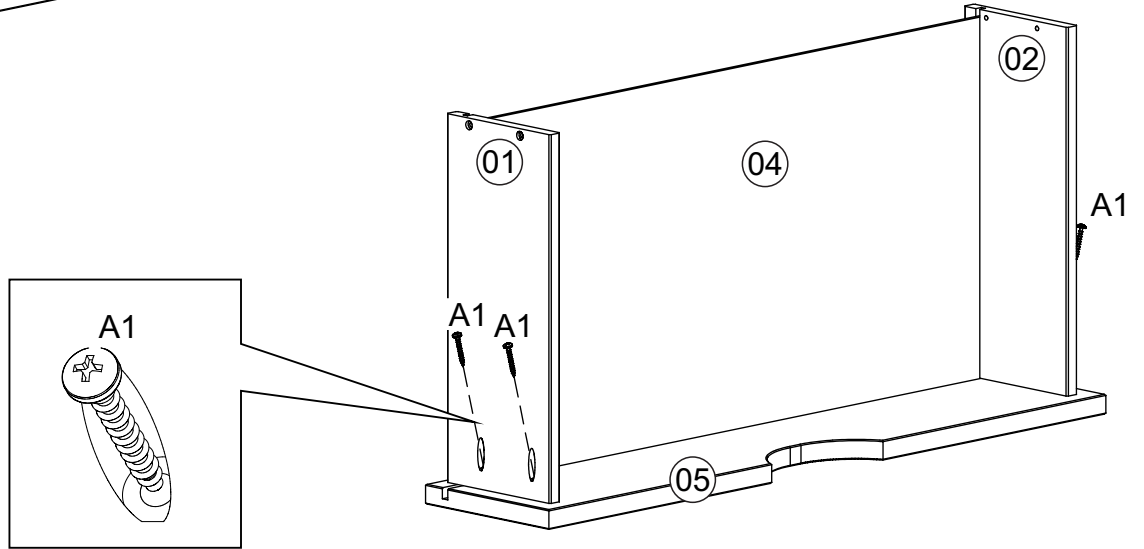
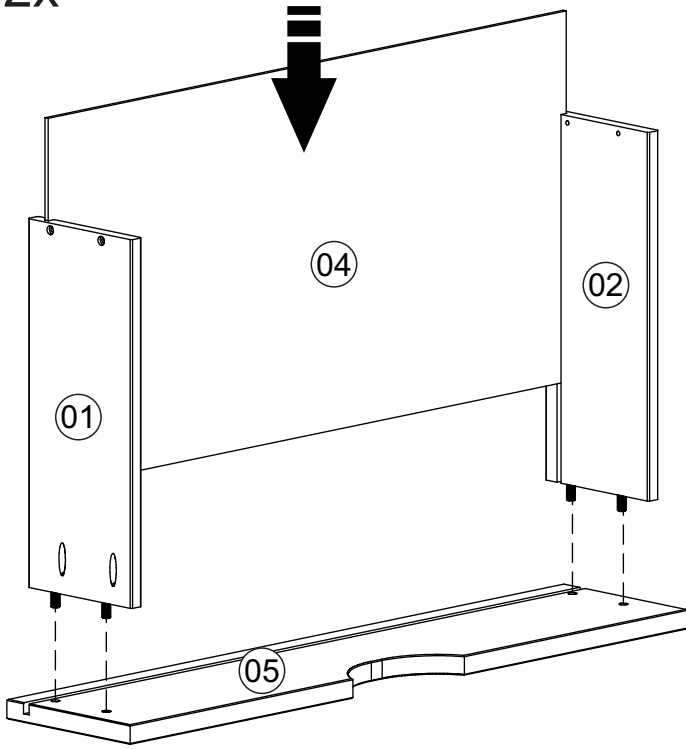
|     |   |    |
|-----|---|----|
| B31 | <br>6,0x10     | 04 |
| E1  | <br>RIGHT Side | 02 |

06)

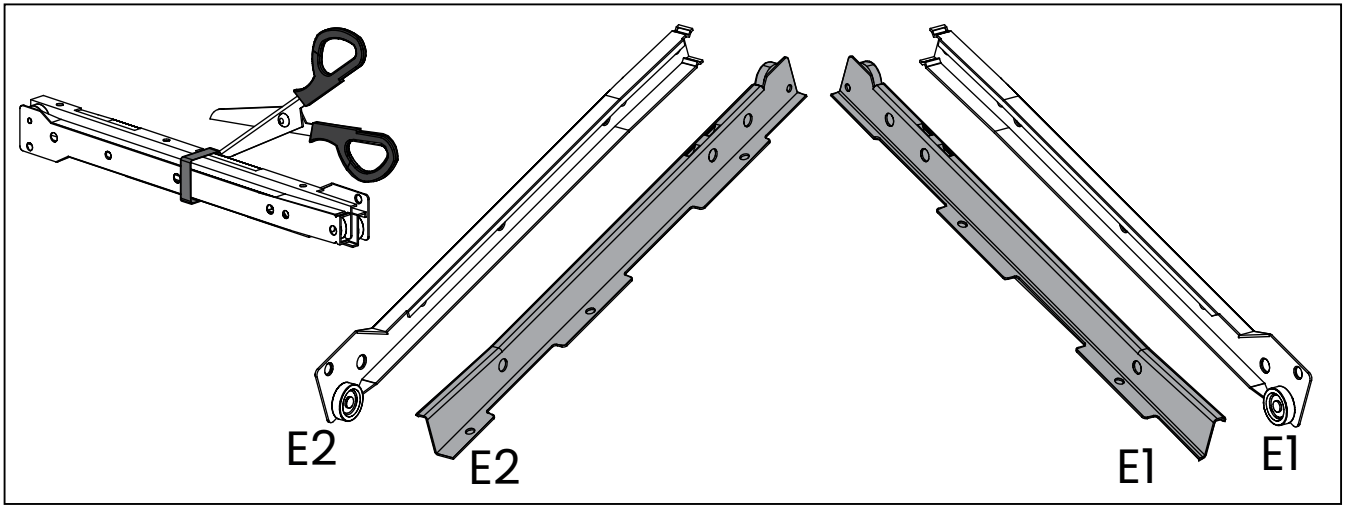


|     |  |    |
|-----|--|----|
| B31 | <br>6,0x10    | 04 |
| E2  | LEFT Side<br> | 02 |

07) 2x

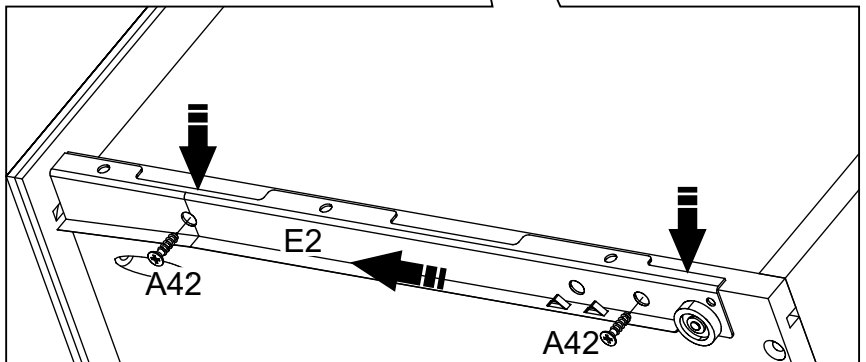
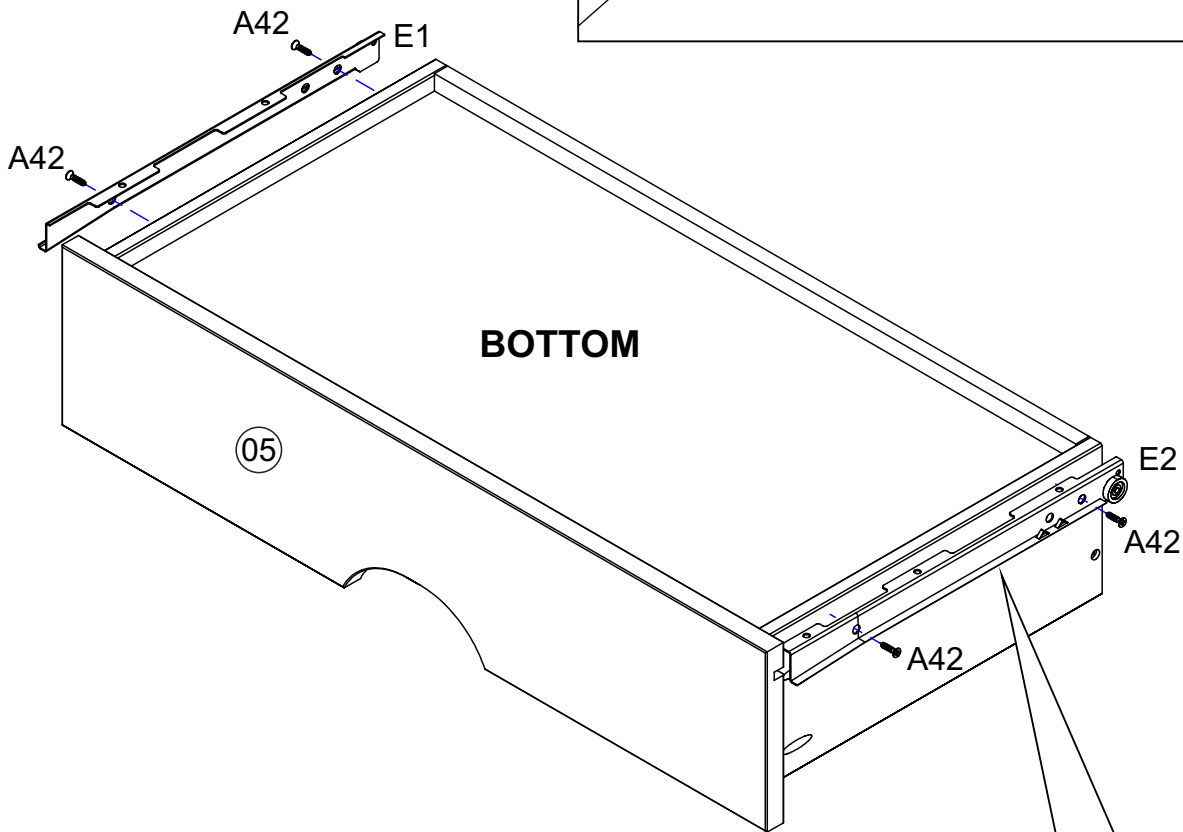
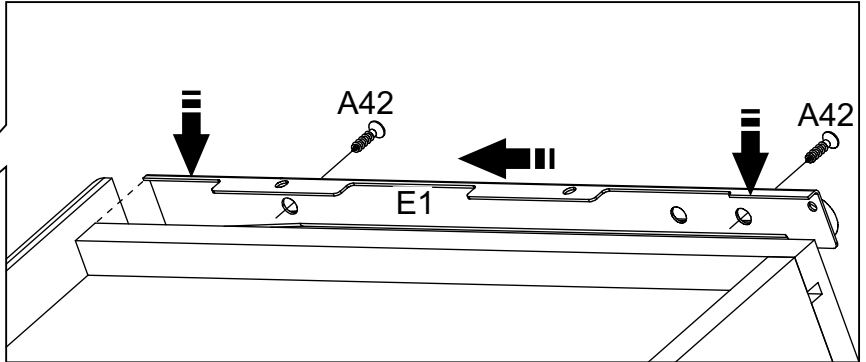



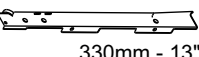

08)



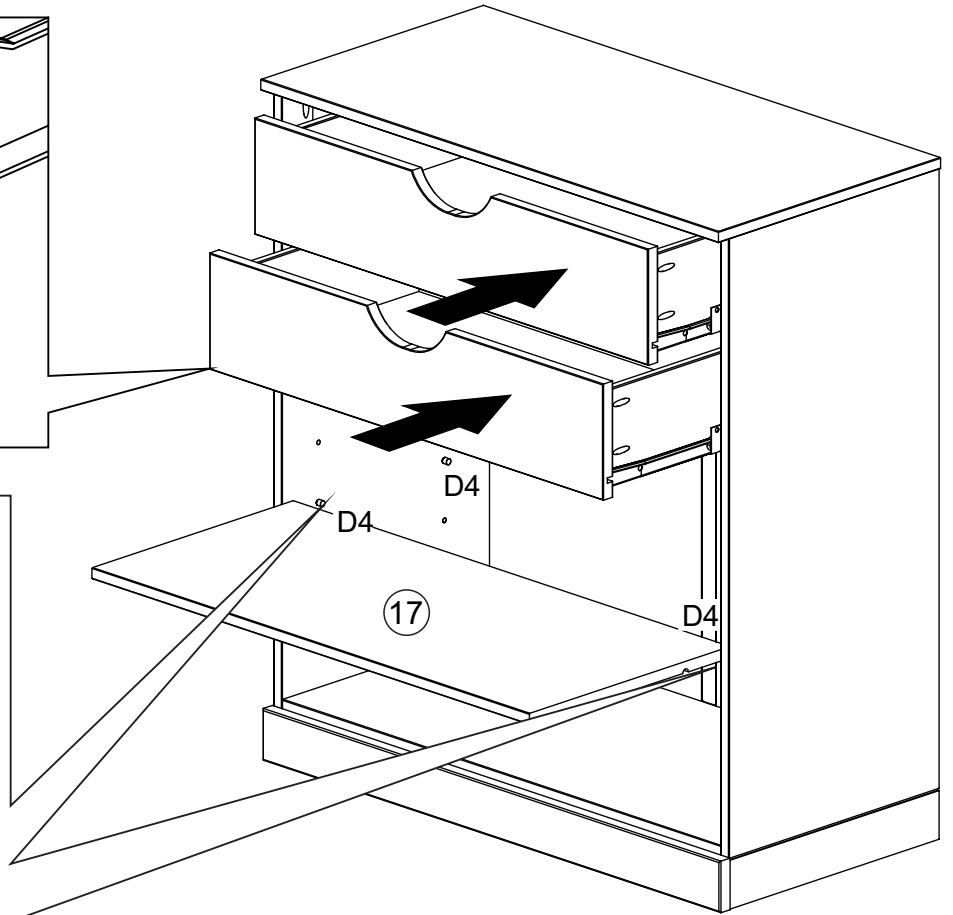
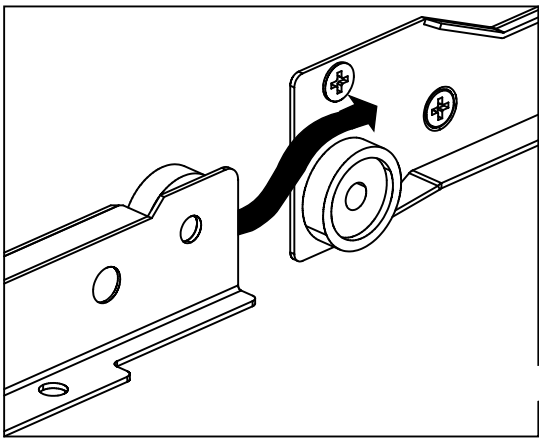
2x

Turn the assembled drawer  
OVER to install glides.

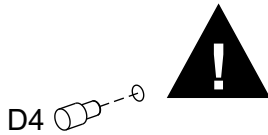


|     |  |    |
|-----|--|----|
| A42 | <br>4.0x14      | 08 |
| E1  | <br>330mm - 13" | 02 |
| E2  | <br>330mm - 13" | 02 |

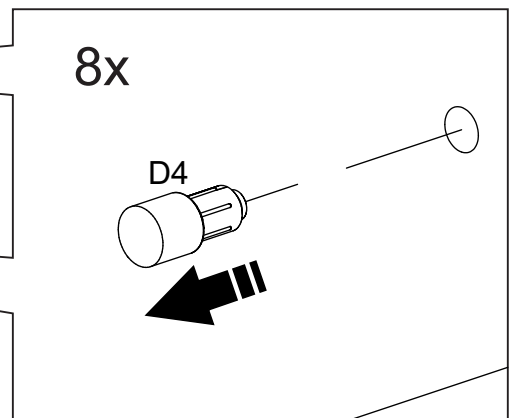
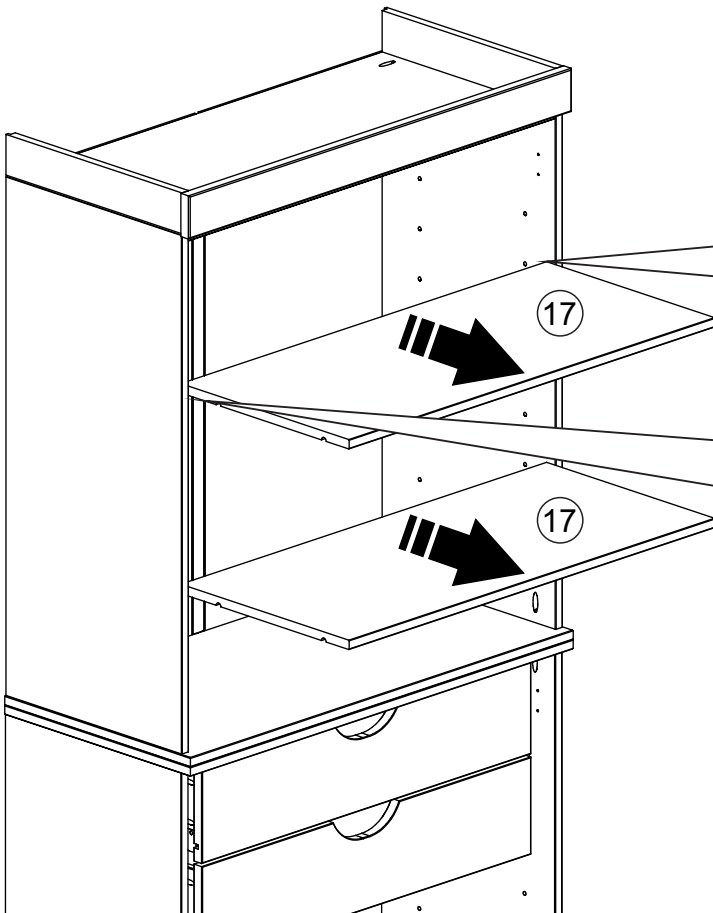
09)



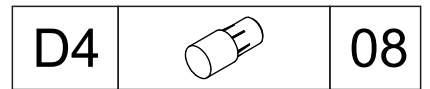
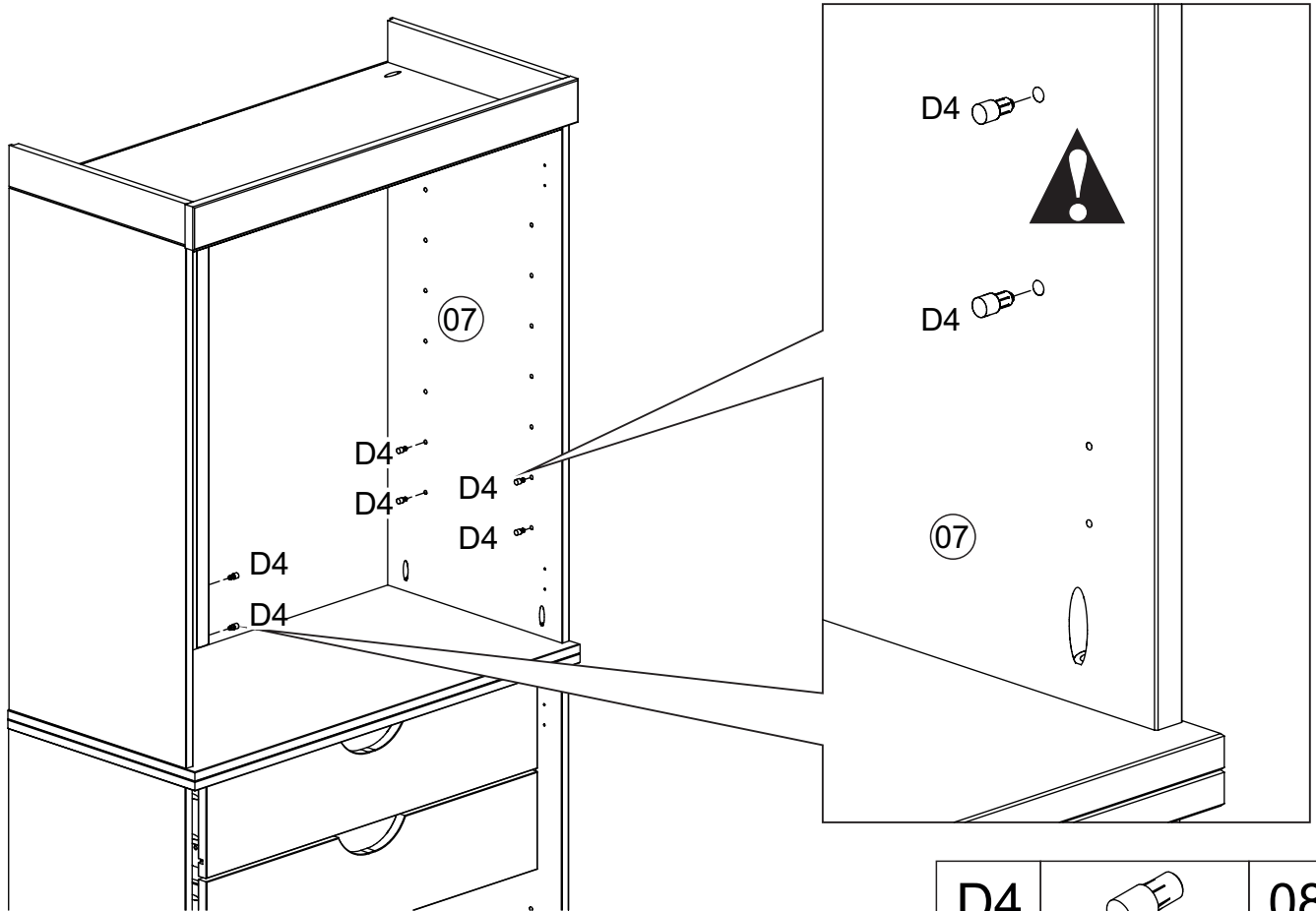
Choose the desired shelf position and insert metal pegs.



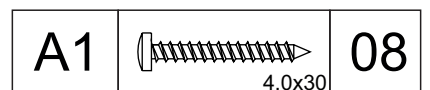
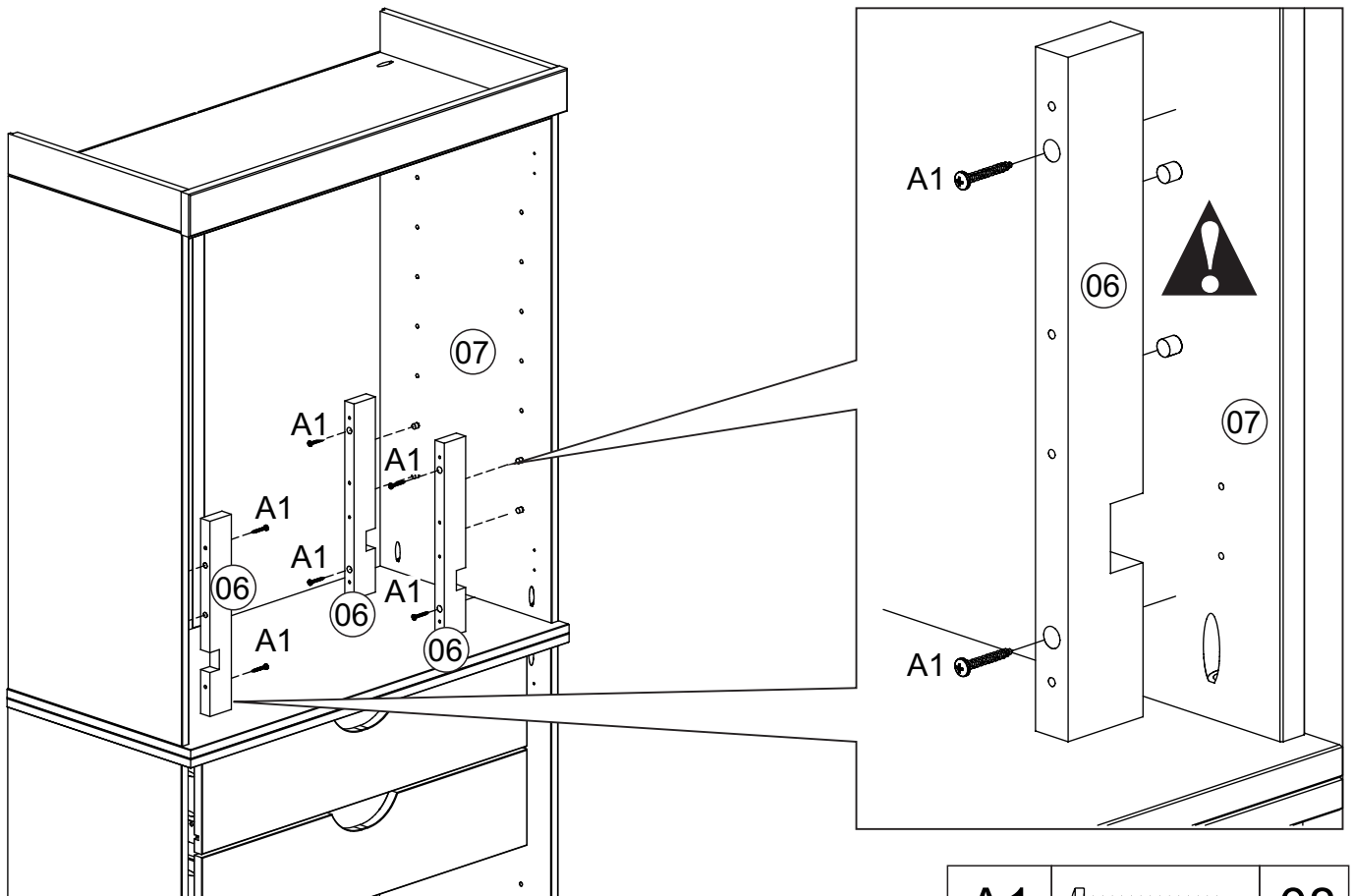
02) Adding second set of drawers for top cabinet (sold separately).



03) Adding second set of drawers for top cabinet (sold separately).

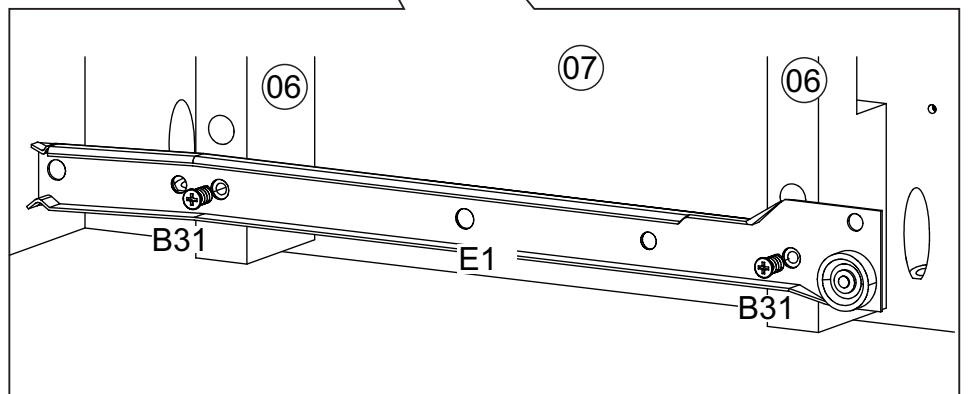
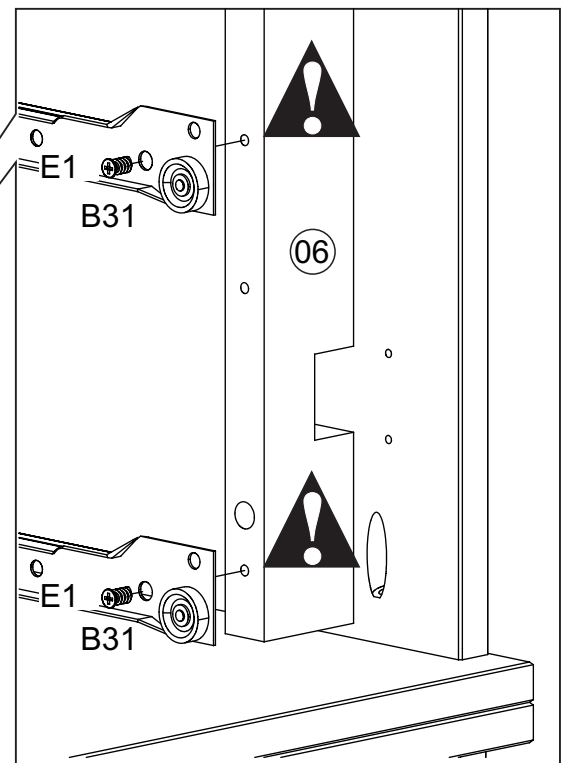
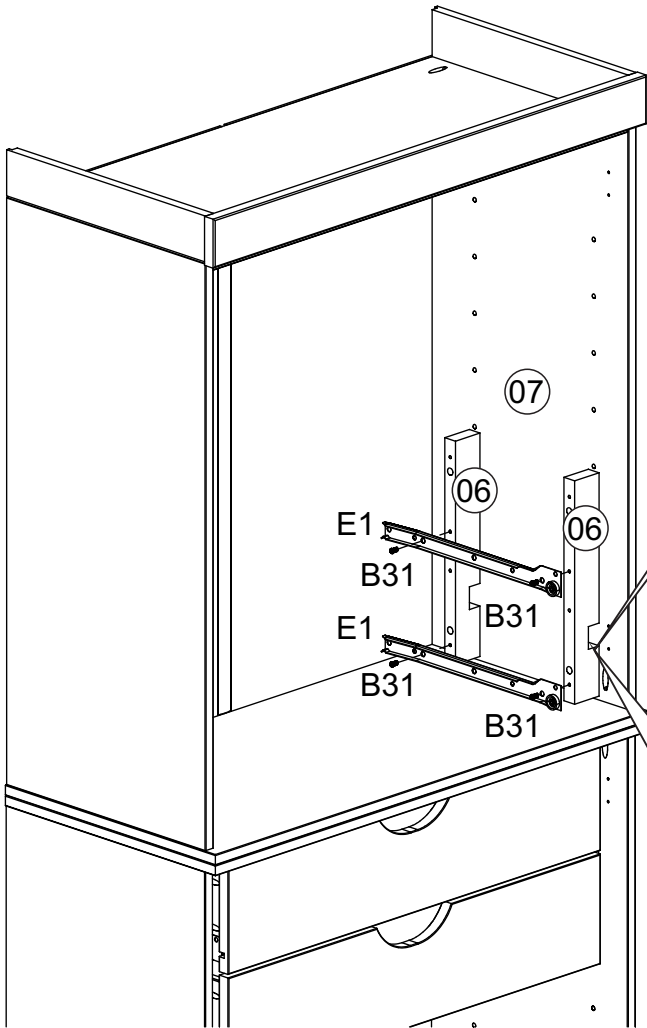
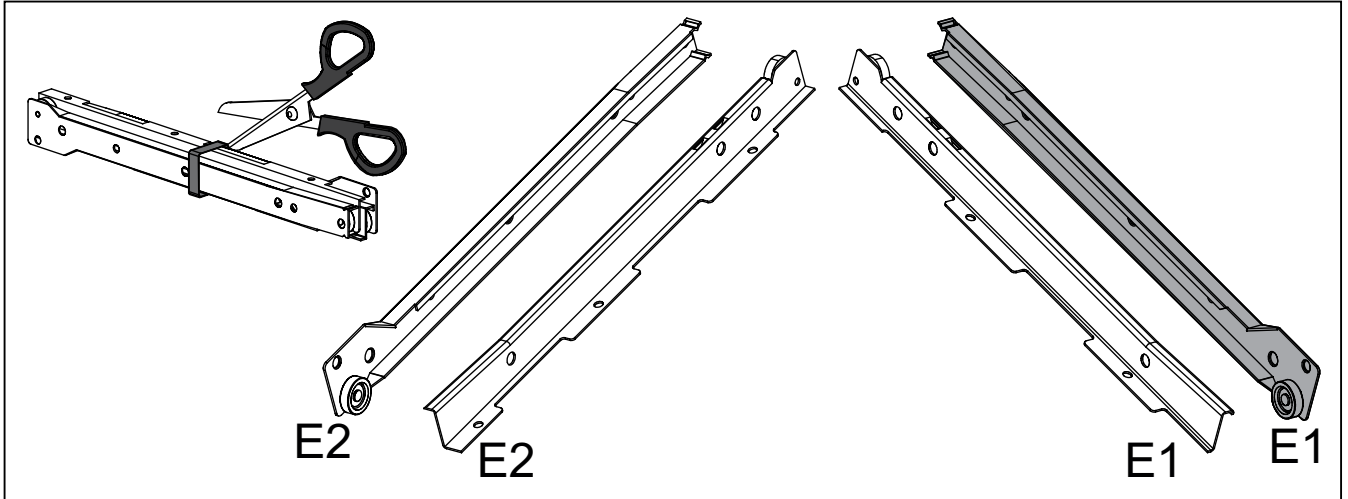


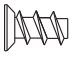
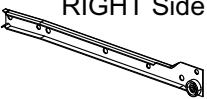
04) Adding second set of drawers for top cabinet (sold separately).



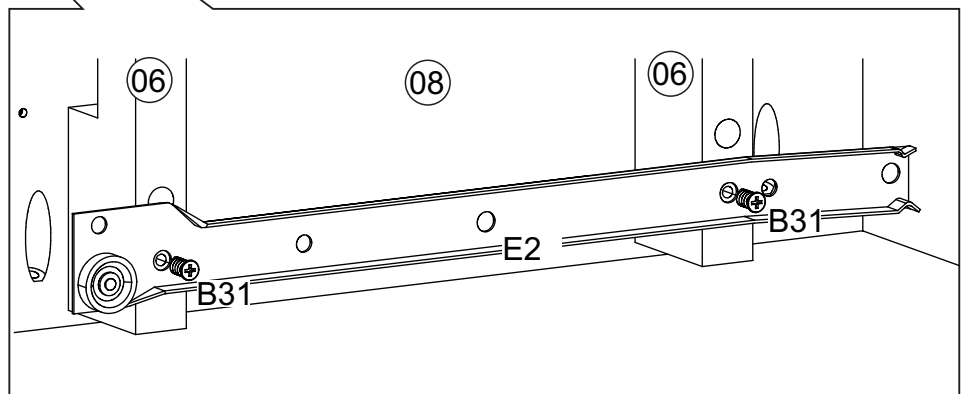
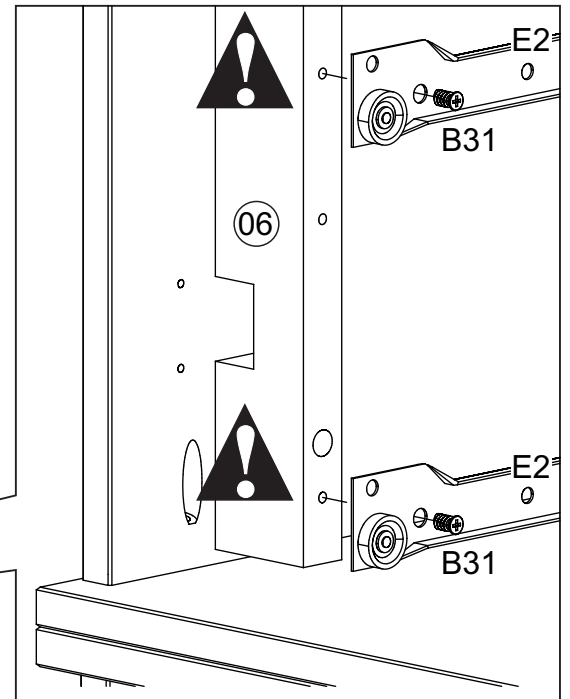
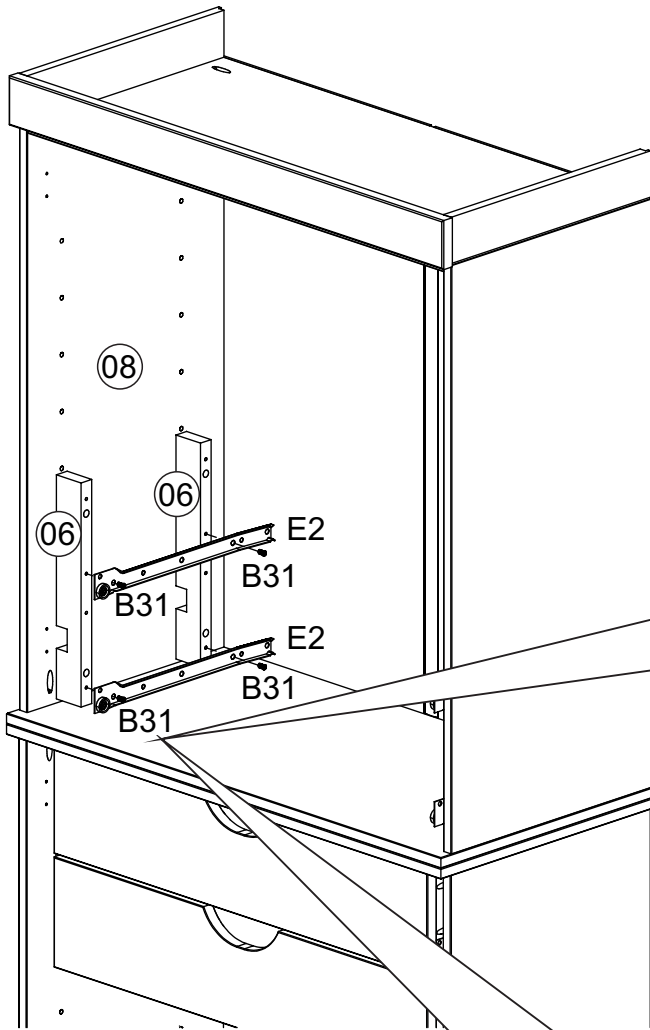
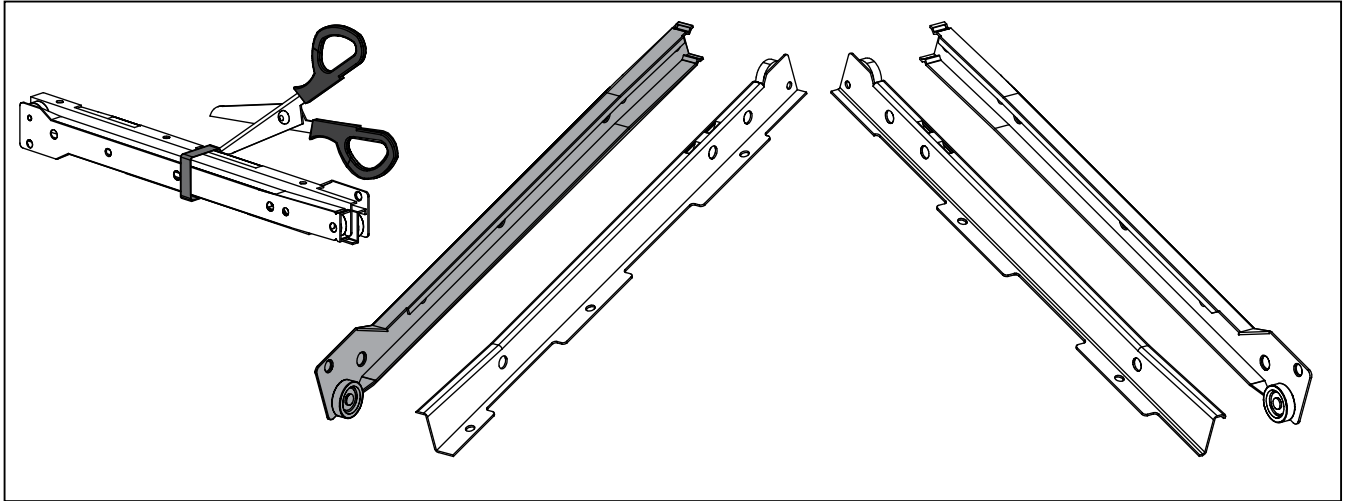
4.0x30

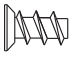
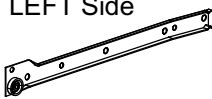
# 05) Adding second set of drawers for top cabinet (sold separately).



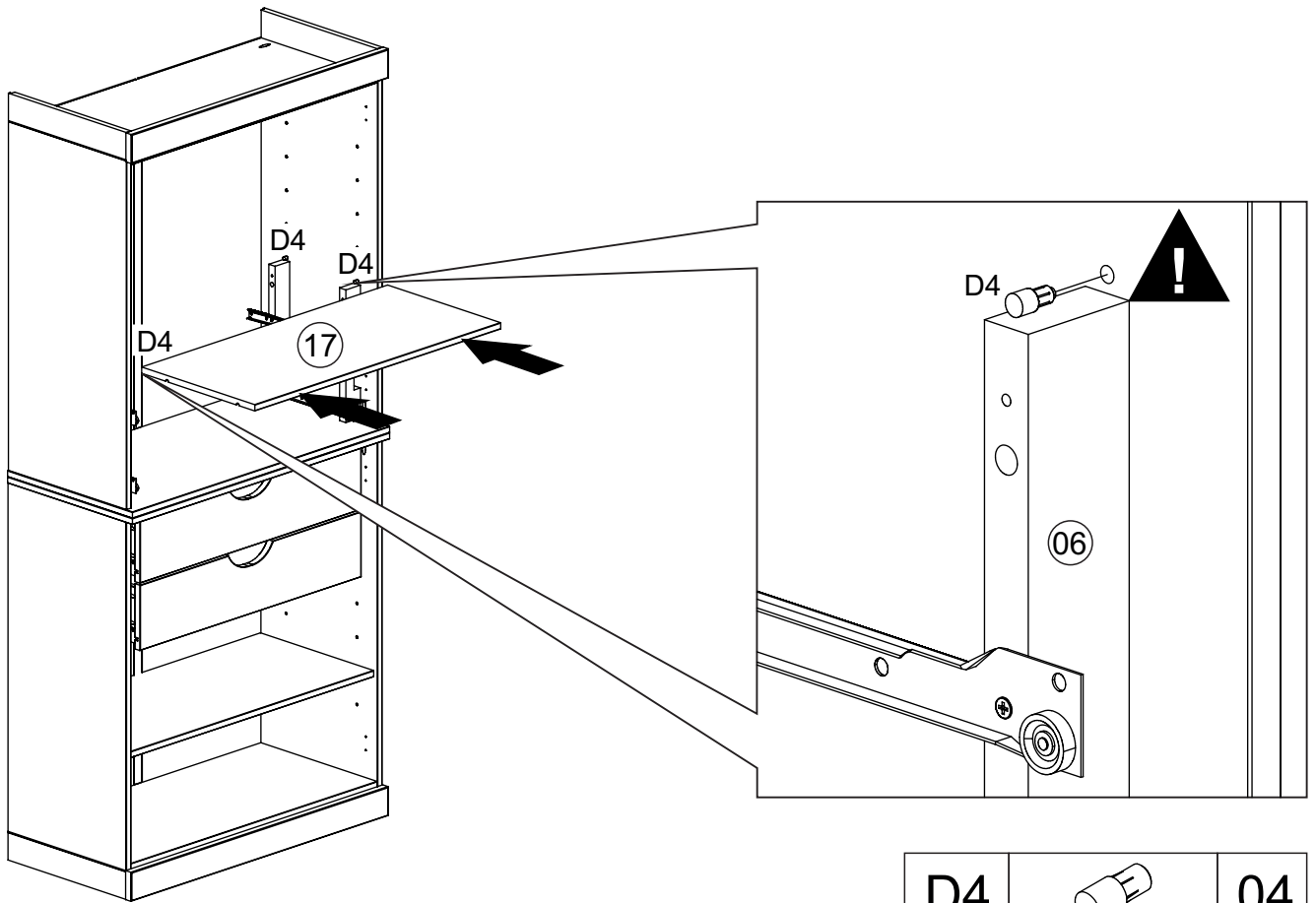
|     |   |    |
|-----|---|----|
| B31 | <br>6,0x10     | 04 |
| E1  | <br>RIGHT Side | 02 |

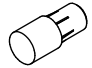
# 06) Adding second set of drawers for top cabinet (sold separately).



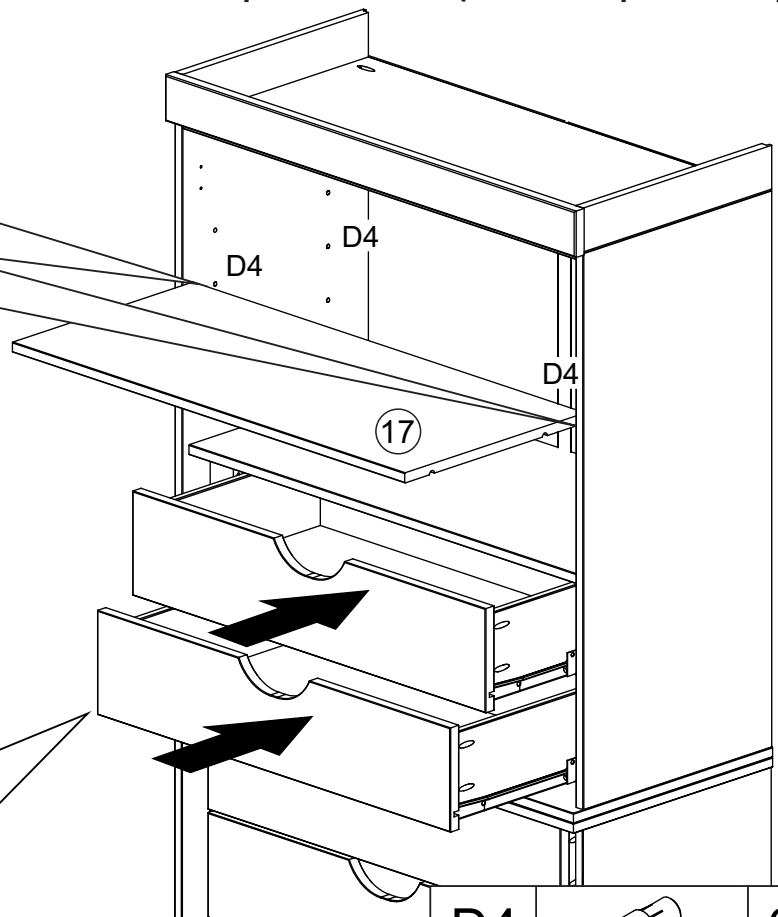
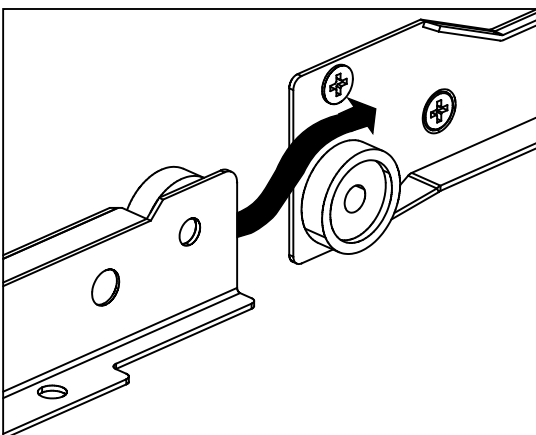
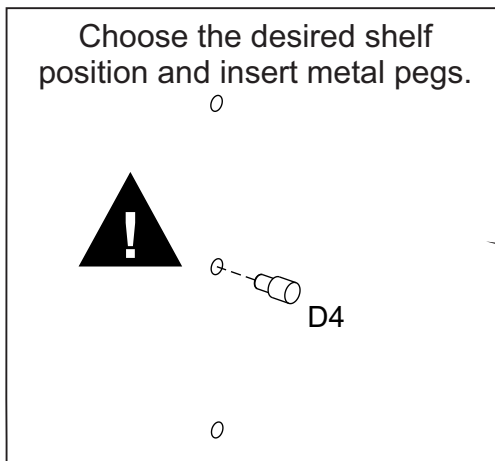
|     |  |    |
|-----|--|----|
| B31 | <br>6,0x10    | 04 |
| E2  | LEFT Side<br> | 02 |

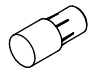
07) Adding second set of drawers for top cabinet (sold separately).



|    |   |    |
|----|---|----|
| D4 |  | 04 |
|----|---|----|

08) Adding second set of drawers for top cabinet (sold separately).



|    |   |    |
|----|---|----|
| D4 |  | 04 |
|----|---|----|