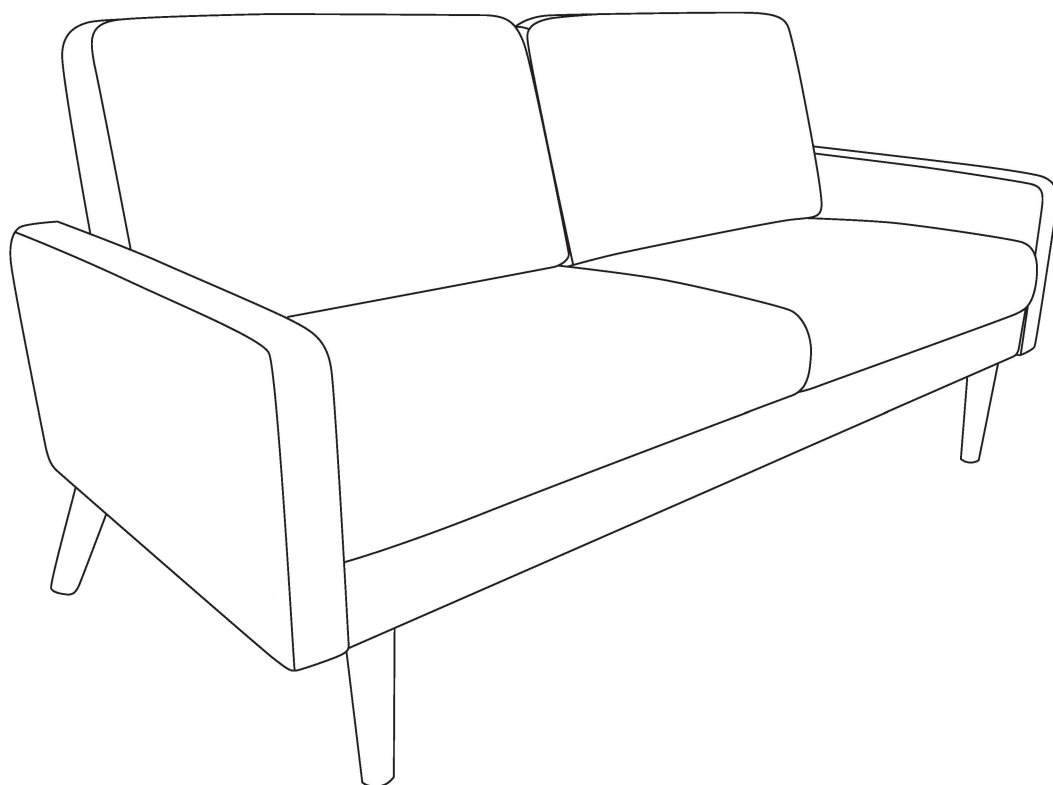
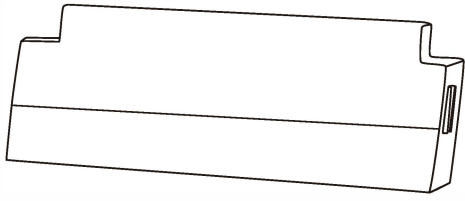


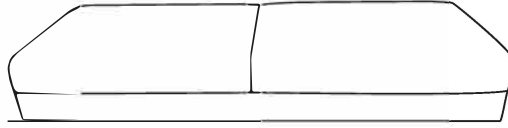
ASSEMBLY INSTRUCTION FOR SOFA



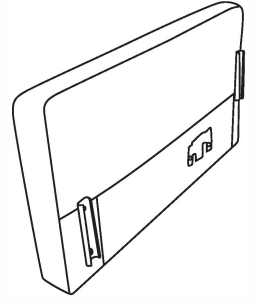
Components List



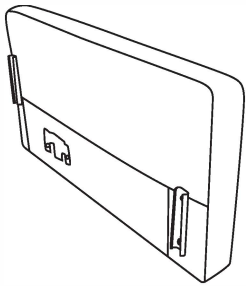
E1x1
Sofa Back



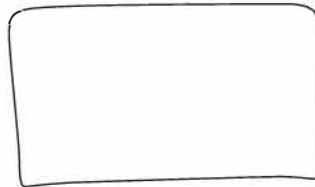
F1x1
Sofa Seat



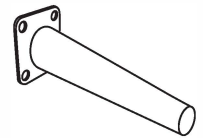
G-Lx1
Left arm



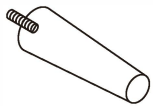
G-Rx1
Right arm



Hx2
back cushions



ix2
Back Leg



Jx2
Front Leg

Hardware List

A M8x20mm

B

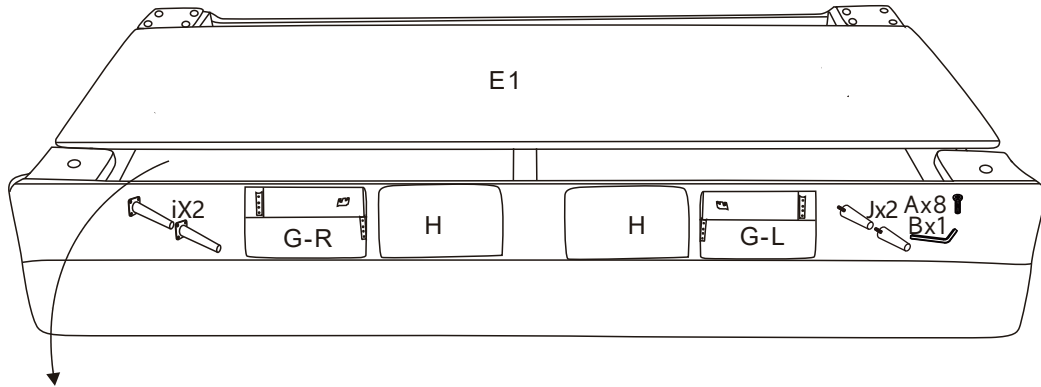


Bolt X8

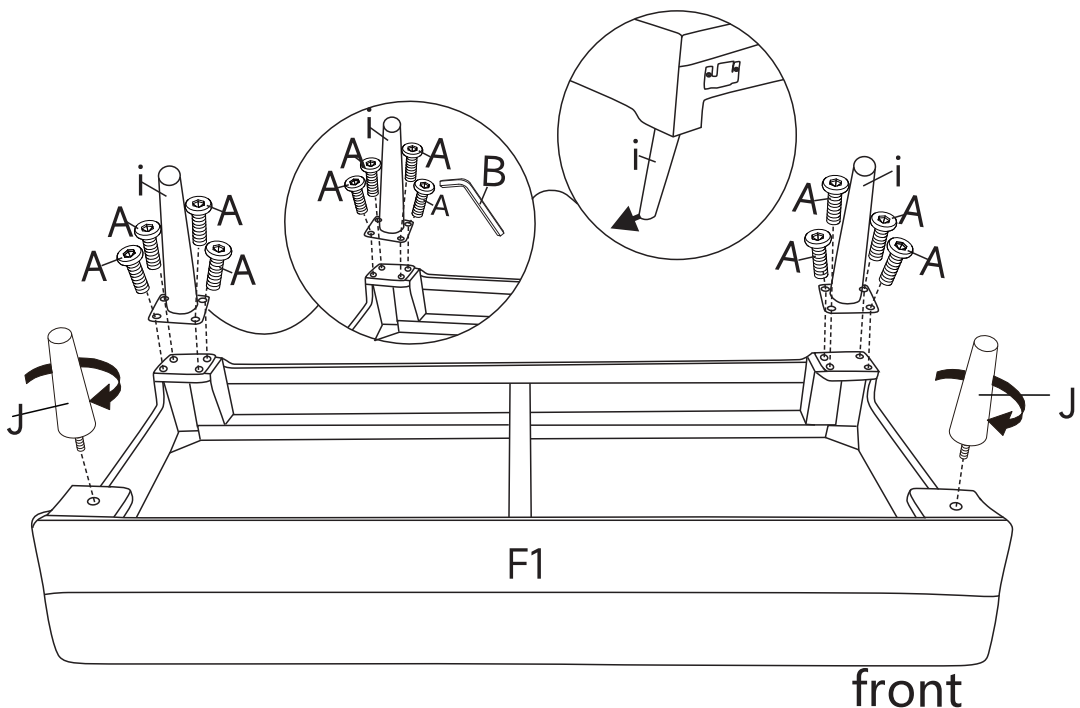




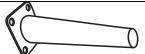

Allen key X1

STEP 1: Tighten 2 pieces of Front Legs (J) to the front bottom of the Sofa Seat (F1) clockwise as shown by hand. Attach 2 pieces of Back Legs (i) to the back bottom of the Sofa Seat (F1) by using 8 pieces of Bolts (A) as shown with Figure and Use Allen Key (B) to tighten all Bolts (A).

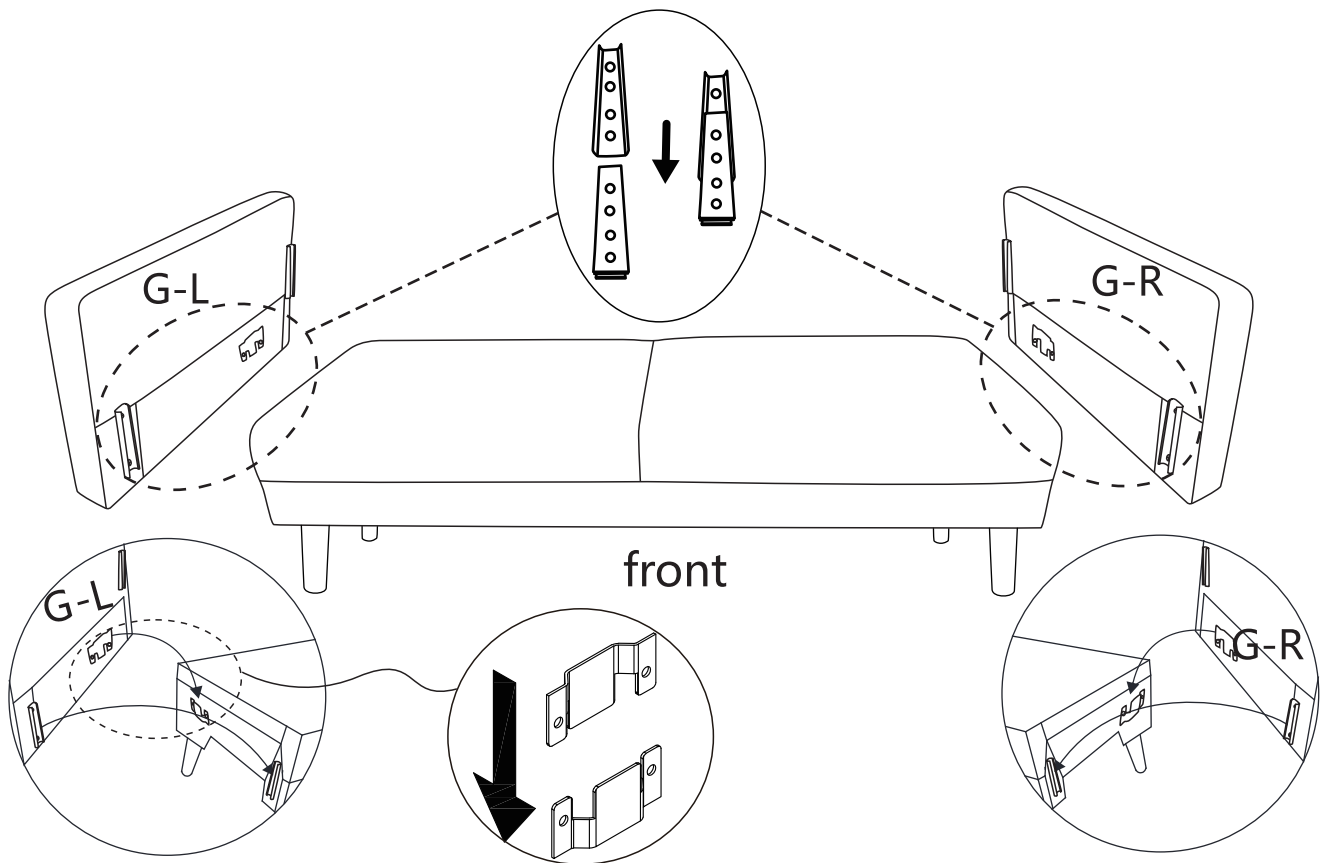


Taken.G-L(Left arm)x1,G-R(Right arm)x1
H(back cushionsx2,i(Back leg)x2,
J(Front leg)x2,A(Bolt)x8,B(Allen key)x1
E1(Sofa Back)x1

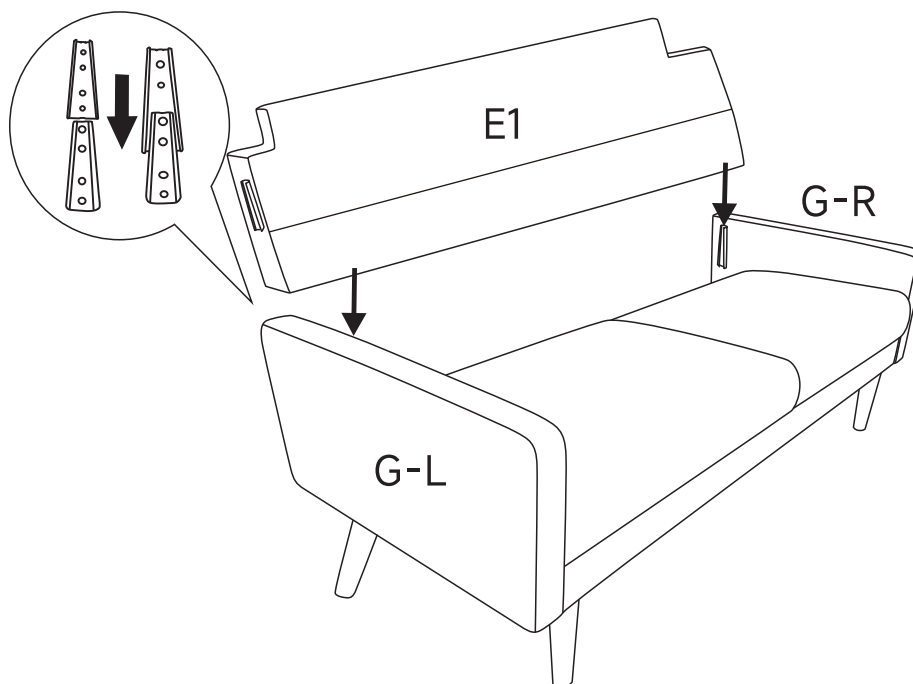


	Ax8
	Bx1
	ix2
	Jx2

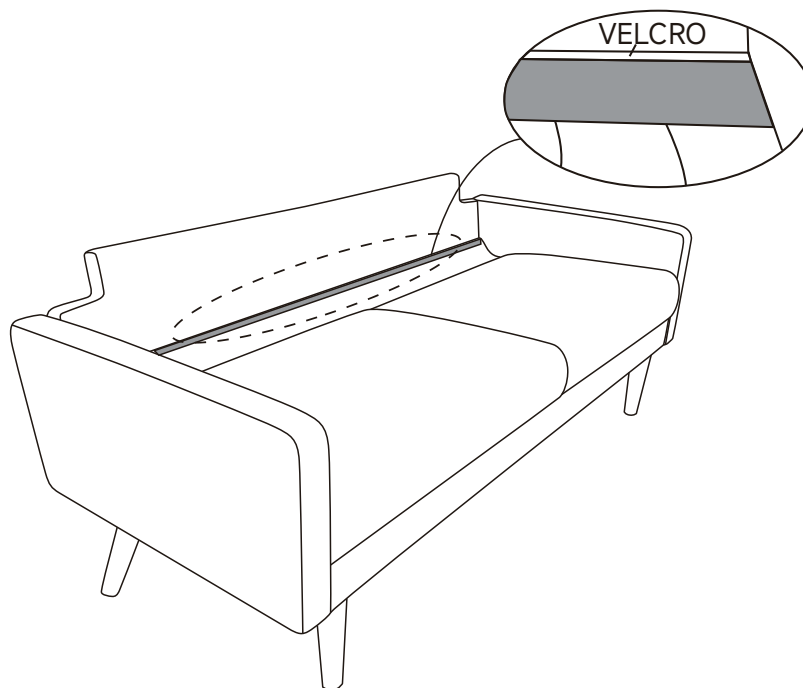
STEP 2: Insert Left Arm (G-L) and Right Arm (G-R) to Sofa Seat (F1) by using the pre-installed Clips on Sofa Seat (F1), Left Arm (G-L) and Right Arm (G-R) to lock each other as shown.



STEP 3: Insert Sofa Back (E1) to Left Arm (G-L) and Right Arm (G-R) by using the pre-installed Clips on Left Arm (G-L), Right Arm (G-R) and Sofa Back (E1) to lock each other as shown.



STEP 4: Lift up the sofa, adjust it to the front, then stick the Velcro tightly to the backrest and seat.



STEP 5: Carefully put 2 pieces of Back Cushions (H) to the assembled Sofa Seat (F1) as shown.

