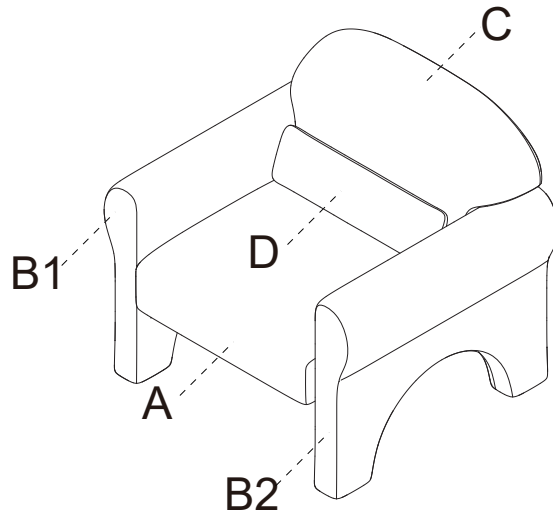


Assembly Instructions

(XG-059)



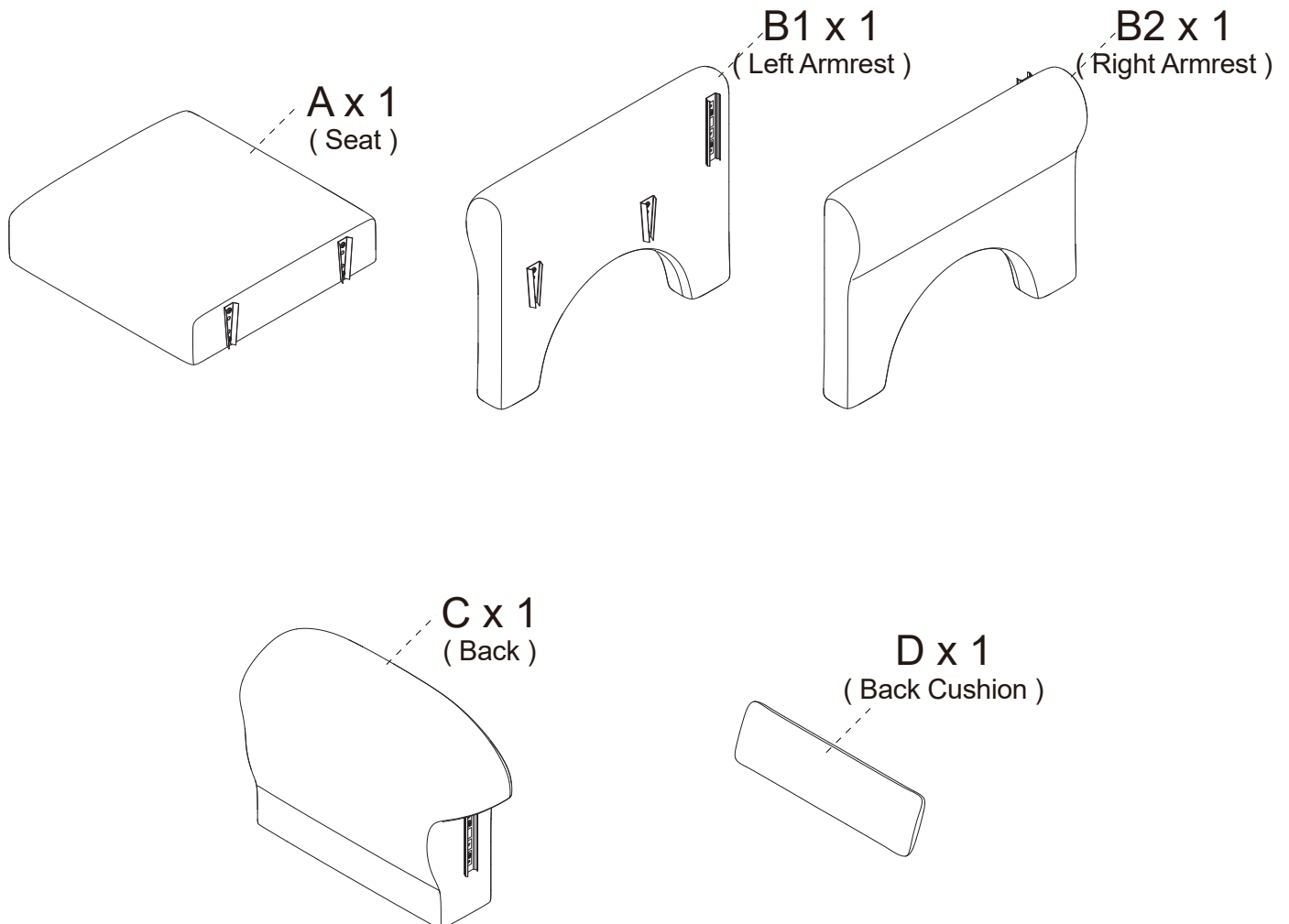
Assemble on the pad to avoid scratching the product.



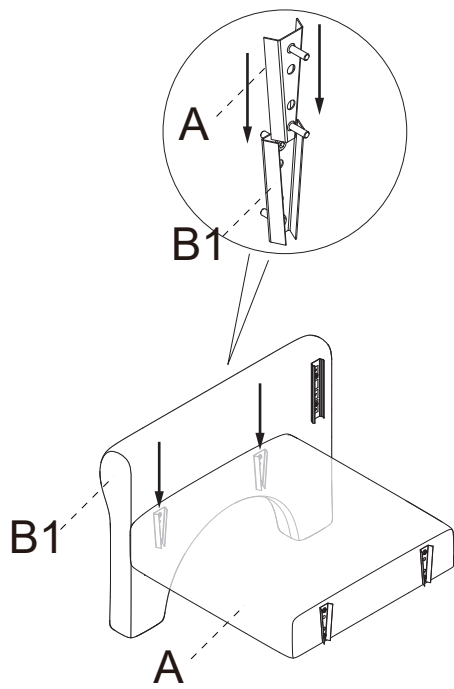
Parts List

Take out all parts and check QTY.

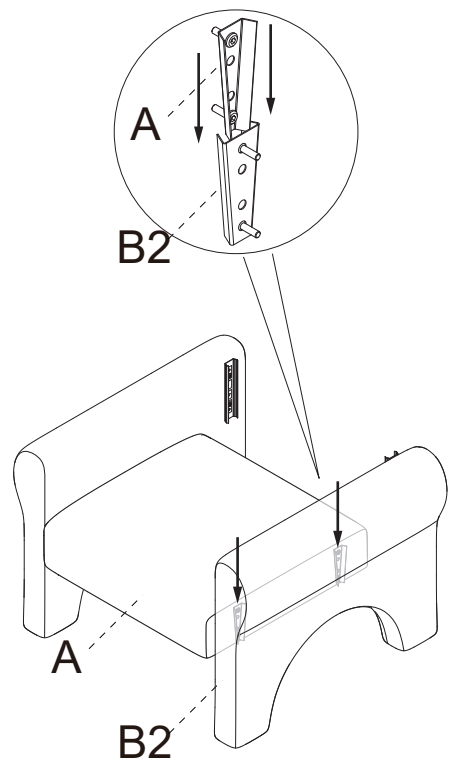
1/1
carton



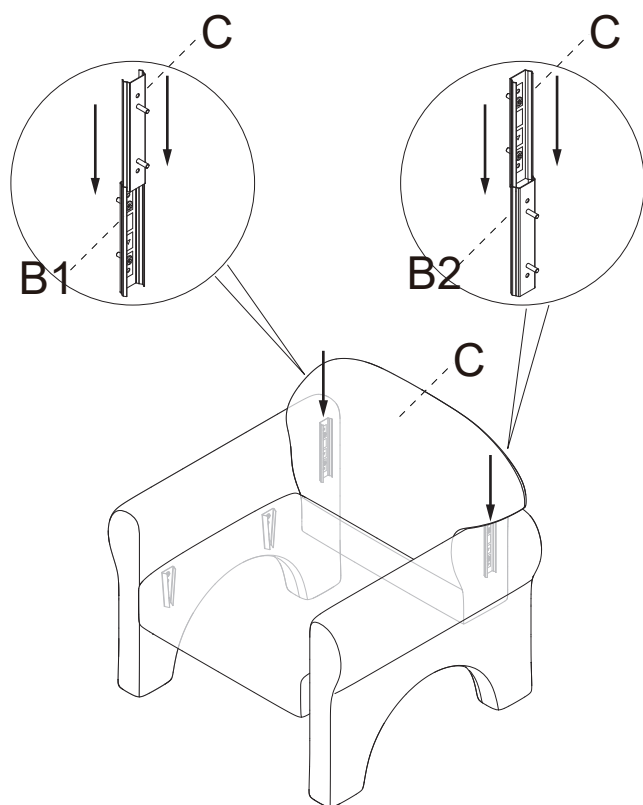
Step 1



Step 2



Step 3



Step 4

