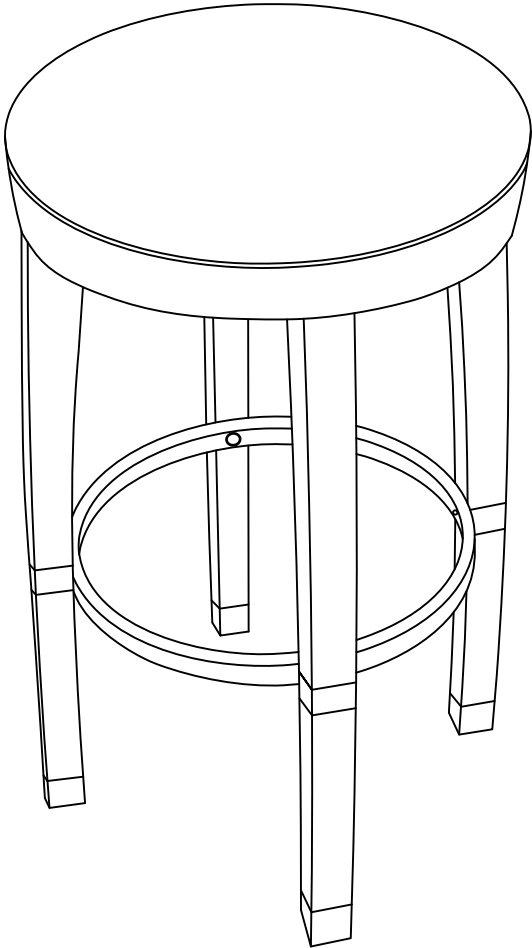


Assembly Instructions

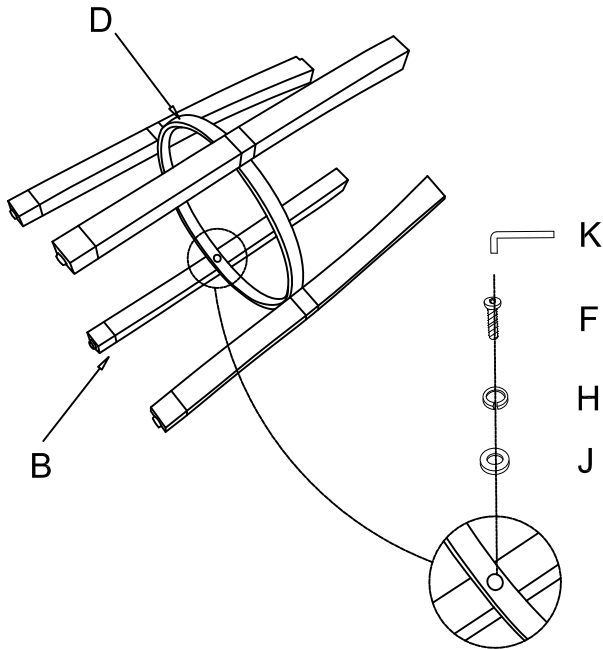
Wood Cask Stave Stool



A: Seat Pad	
B: (4) Legs	
C: Swivel Plate	
D: Metal Ring	
E: (4) Long Bolts	
F: (4) Medium Bolts	
G: (4) Short Bolts	
H: (12) Lock Washers	
I: (8) Big Flat Washers	
J: (4) Small Flat Washers	
K: Allen Wrench	

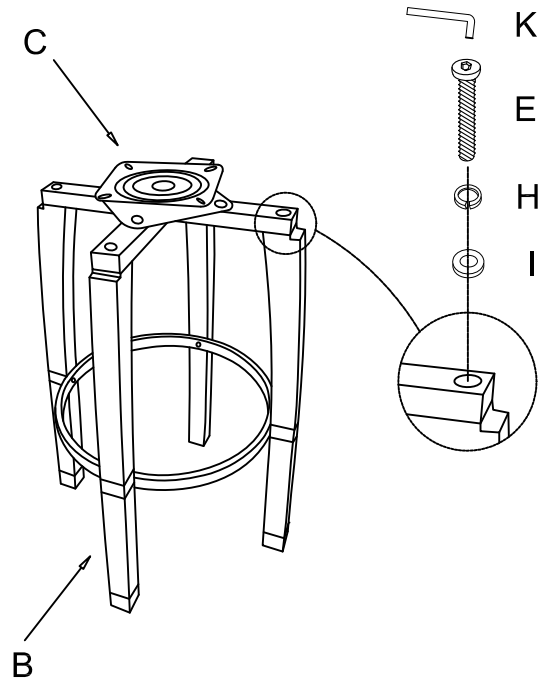
Step 1

Attach the Metal Ring (D) to the legs, fasten with (4) medium bolts (F), small flat washers (J) and lock washers (H) using the Allen wrench (K). Do not tighten yet.



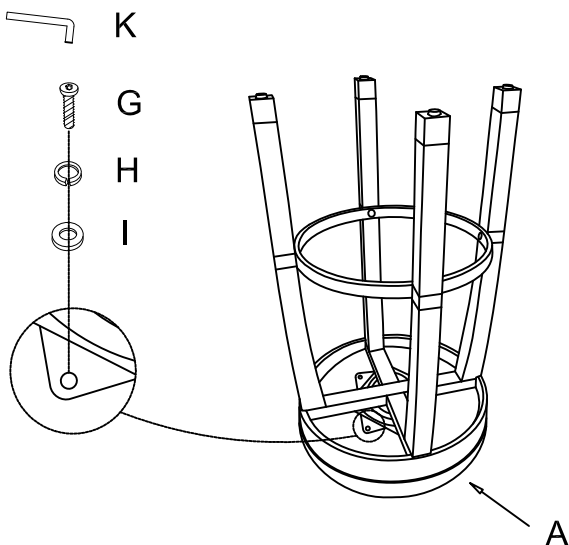
Step 2

Fasten the swivel plate into the legs with (4) long bolts (E), big flat washers (I) and lock washers (H) using the Allen wrench (K).



Step 3

Place the seat pad upside down and fasten the chair base onto the seat pad with (4) short bolts (G), big flat washers (I) and lock washers (H) using the Allen wrench (K). Tighten all bolts now.



Step 4

