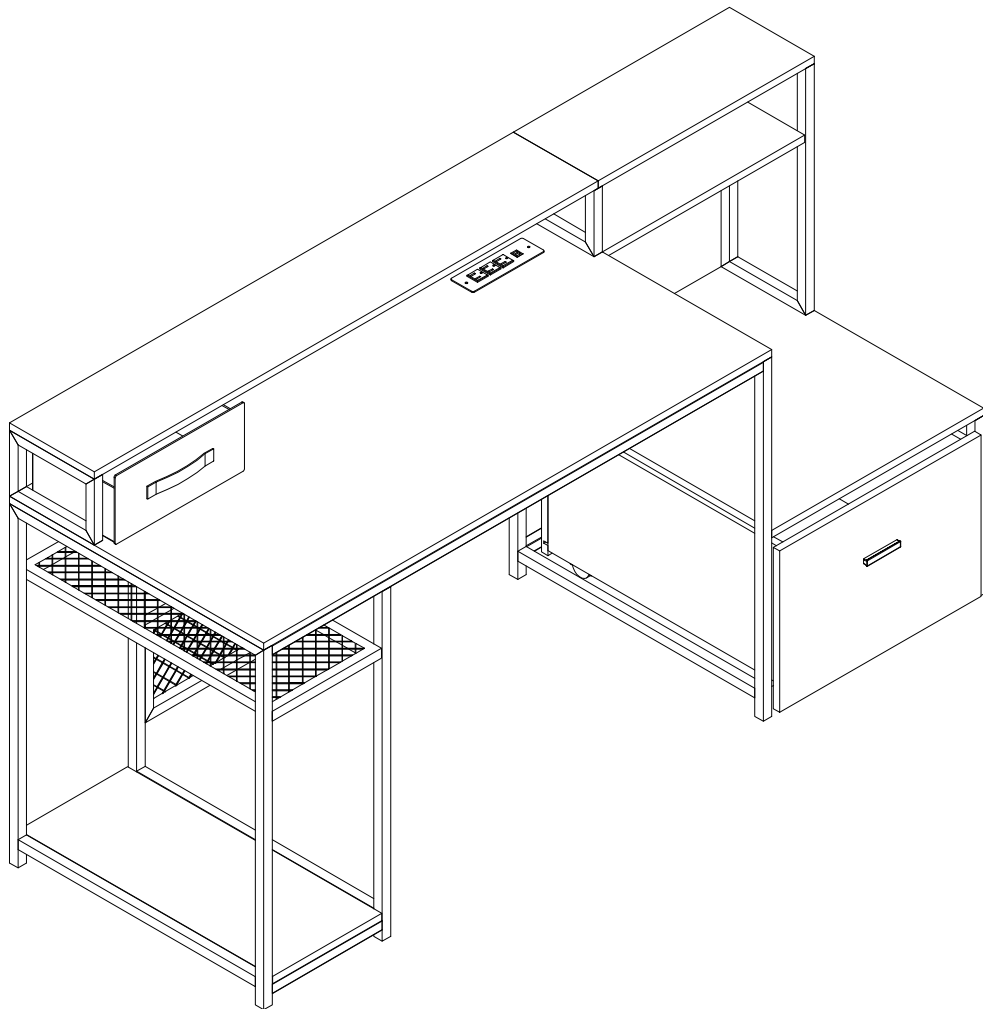


Assembly Manual

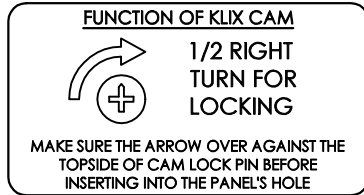
OFFICE DESK



Please read this manual carefully before any operation and keep it properly for future use.

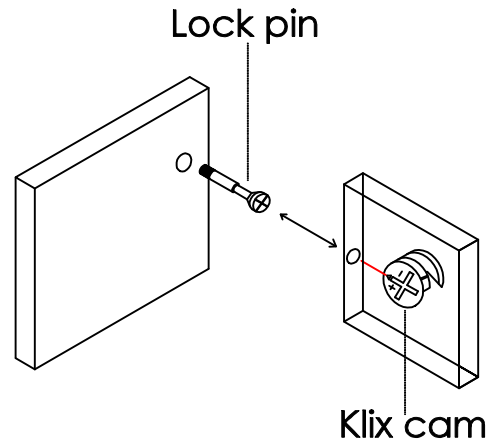
Warnings

ATTENTION:

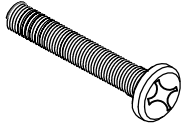
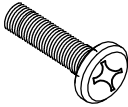
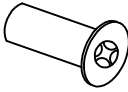

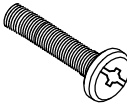
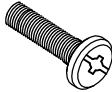
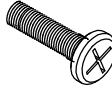
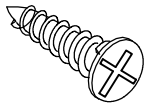
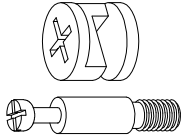

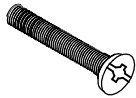



IMPORTANT!

After 180° right turn, if there is a gap between the boards, please check whether the cam lock pin is tightened enough.



Components List

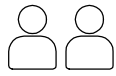
			
A M6*45(*33+2)	B M6*30(*31+2)	C M6*15(*6+1)	D M6*10(*8+1)
			
E M4*18(*2+1)	F M4*12(*2+1)	G M5*15(*2+1)	H ST3*15(*2+1)
			
I \varnothing 15*40L(*6+1)	J 8*40(*2+1)	K M6*45(*3+1)	L 5*150

Note: The number after "+" sign indicates the extra piece(s).

Components List

30min

Assemble Time

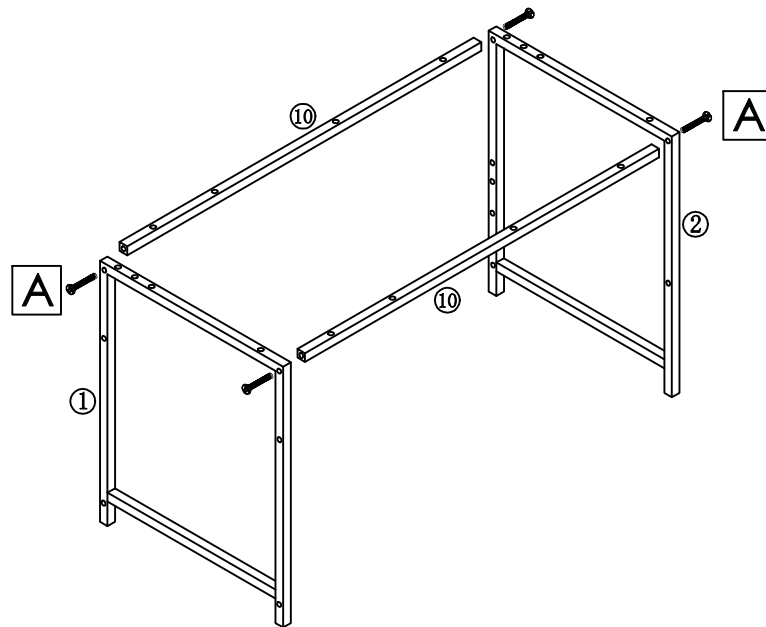


Two People

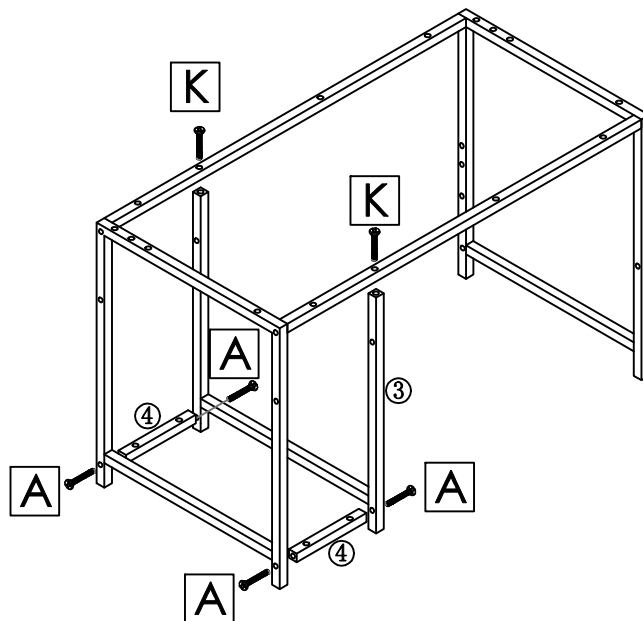
<p>1</p>	<p>2</p>	<p>3</p>	<p>4</p> <p>5</p>	<p>6</p> <p>7</p>
<p>8</p> <p>9</p>	<p>10</p> <p>11</p>	<p>12</p> <p>13</p>	<p>14</p> <p>15</p>	<p>16</p> <p>17</p> <p>18</p> <p>19</p>
<p>20</p> <p>21</p> <p>22</p> <p>23</p> <p>24</p>	<p>25</p> <p>27</p> <p>Drawer handle</p>	<p>26</p> <p>Angle iron</p> <p>Power socket</p>	<p>Drawer</p>	<p>NOTE:</p> <ul style="list-style-type: none"> Component(4)*2PCS Component(5)*2PCS Component(10)*2PCS Component(13)*2PCS Component(24)*2PCS

Assembly Instruction

STEP 1 Connect frame (1) and (2) with tubing (10).



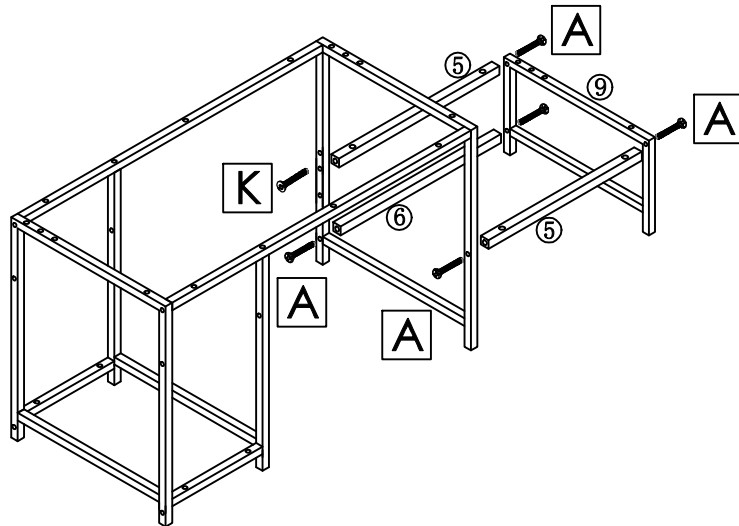
STEP 2 Attach tubing (3) and (4) to the assembled frame with screws (K and A).



Assembly Instruction

STEP 3

Attach tubing (5,6 and 9) with screws (A)、(K).



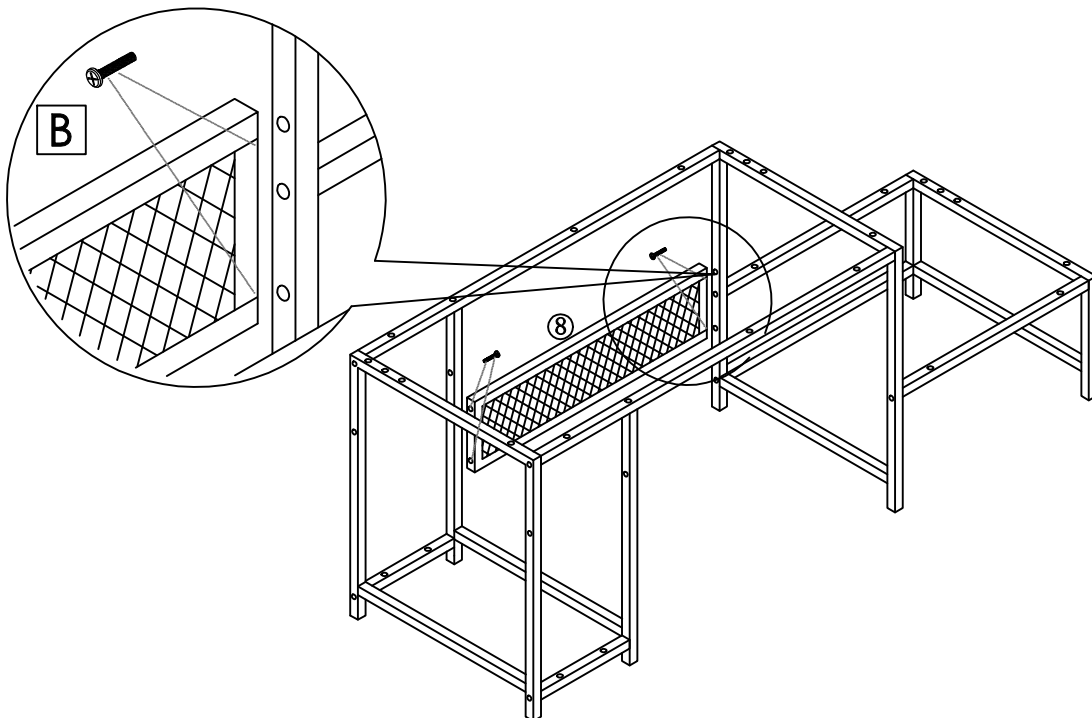
A*5



K*1

STEP 4

Attach modesty panel(8) to the assembled frame with screws(B).

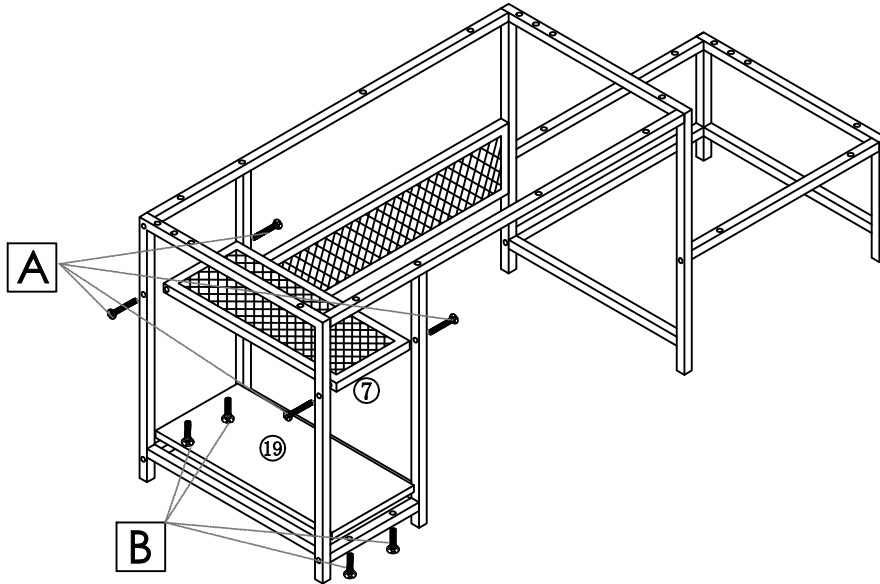


B*4

Assembly Instruction

STEP 5

Attach iron mesh panel(7) and bottom panel(19) with screws (A and B).



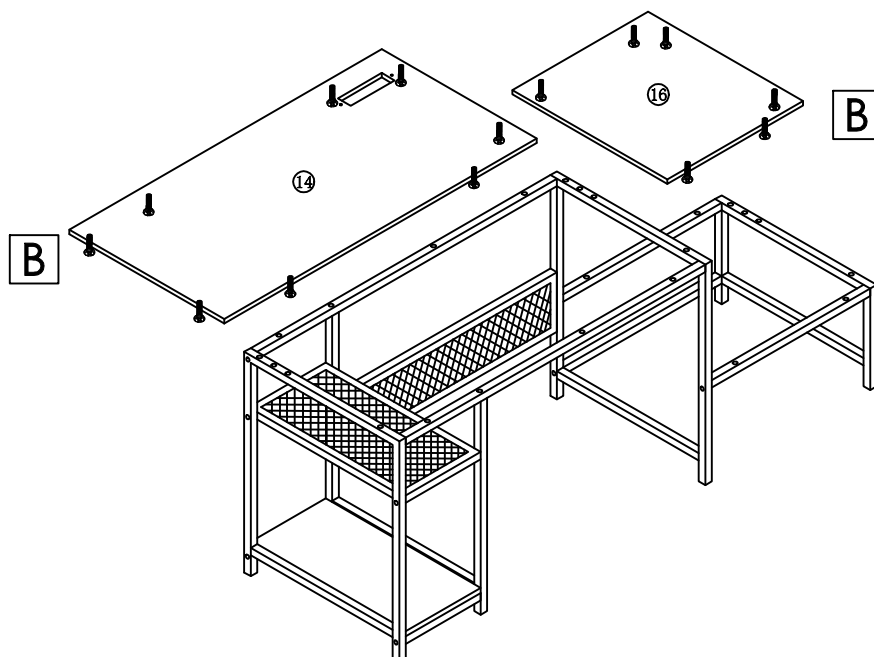
B*4



A*4

STEP 6

Attach table top to assembled frame with screws(B).

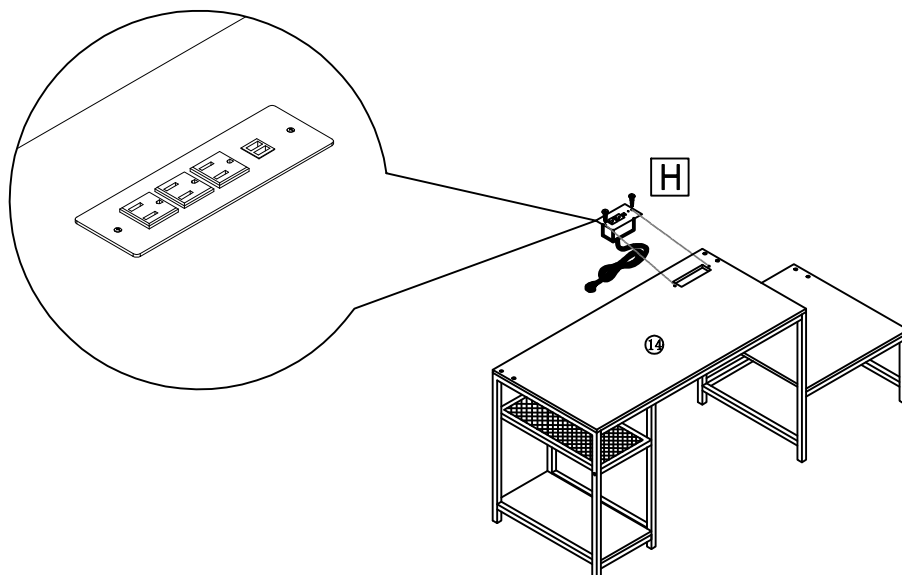


B*14

Assembly Instruction

STEP 7

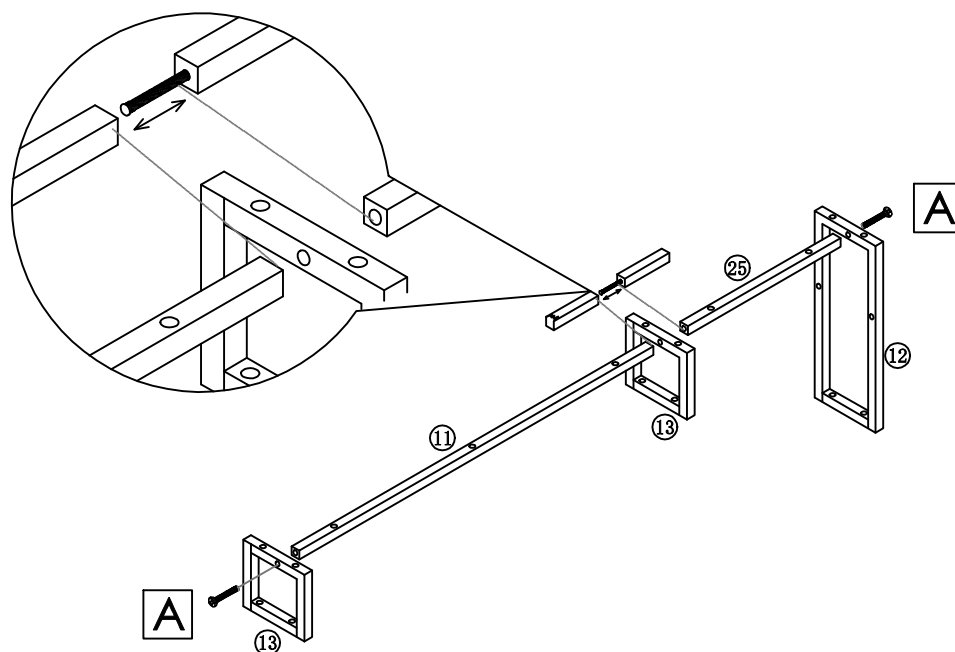
Attach the power socket to the table top with screws(H).



H*2

STEP 8

Put tubing(11,12,13 and 25)together with screws(A).

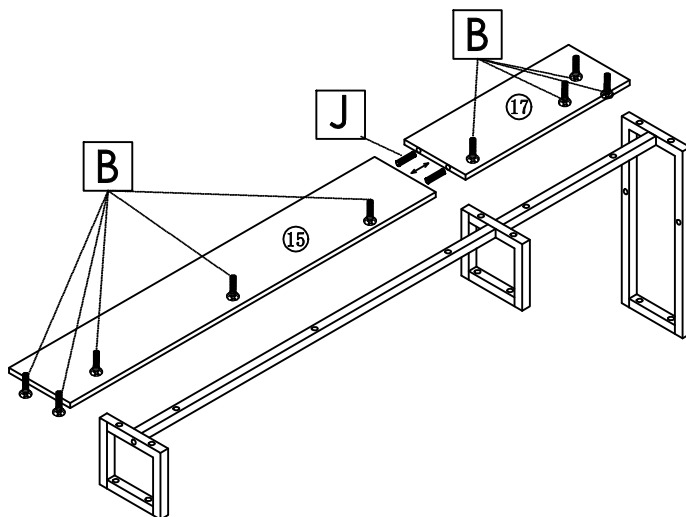


A*2

Assembly Instruction

STEP 9

Attach panels(15 and 17) to the frame assembled in the last step with dowels(J) and screws(B). Please do NOT screw completely until all the screws are right in the holes so that you can adjust the position easily during the assembly process.



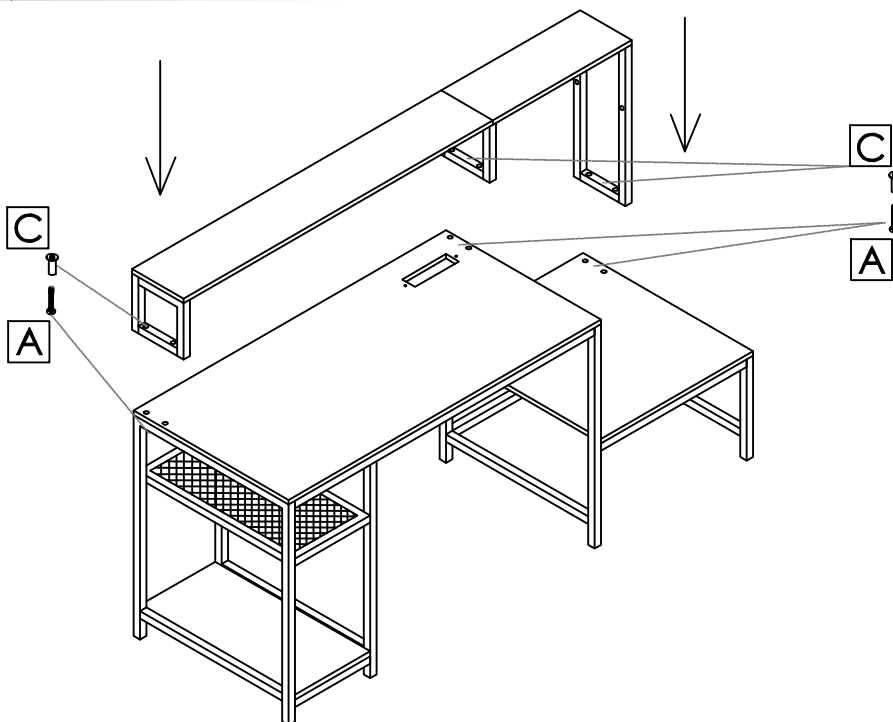
J*2



B*9

STEP 10

Attach the shelf assembled in the last step to the table with screws(C and A).



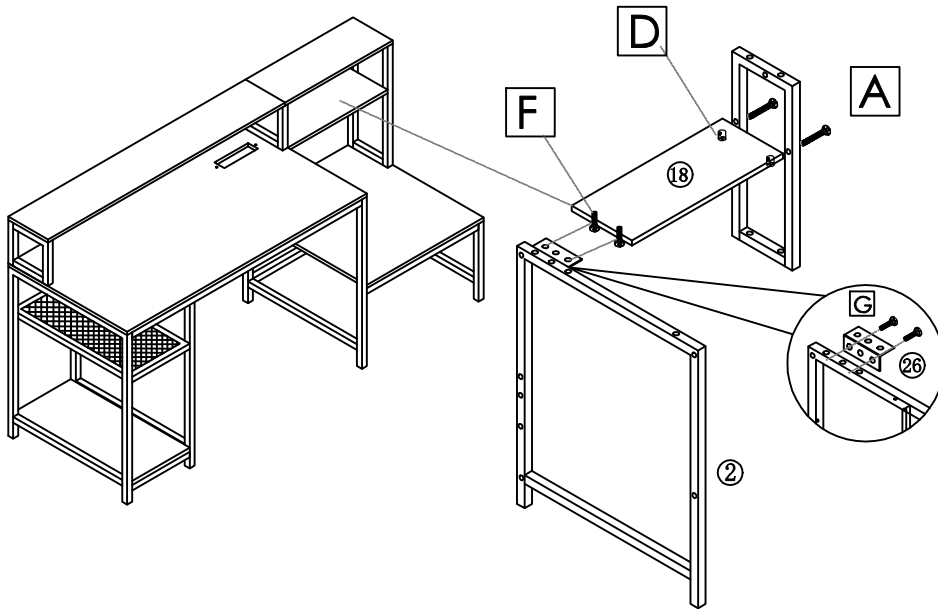
C*6







A*6

Assembly Instruction

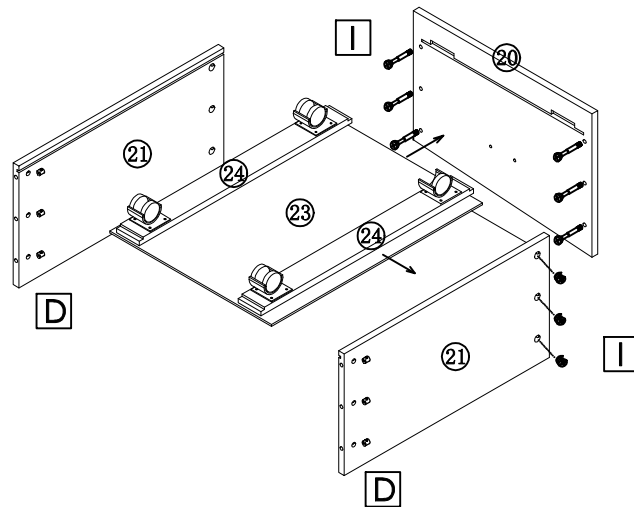
STEP 11 Attach shelf board to the frame with screws(A,F,D and G).





-  D*2
-  A*2
-  F*2
-  G*2

STEP 12

Screw the lock pins on the backside of front board of drawer(20) first. And then insert side boards(21), bottom panel(23) and boards(24) with casters to the slot of the front panel(20) of drawer. Insert the Klix cams and turn right about 180° to lock tightly(Attention: Be sure to make the arrow on the Klix cam right against the head of lock pin so that you can insert the Klix cam completely into the holes.)

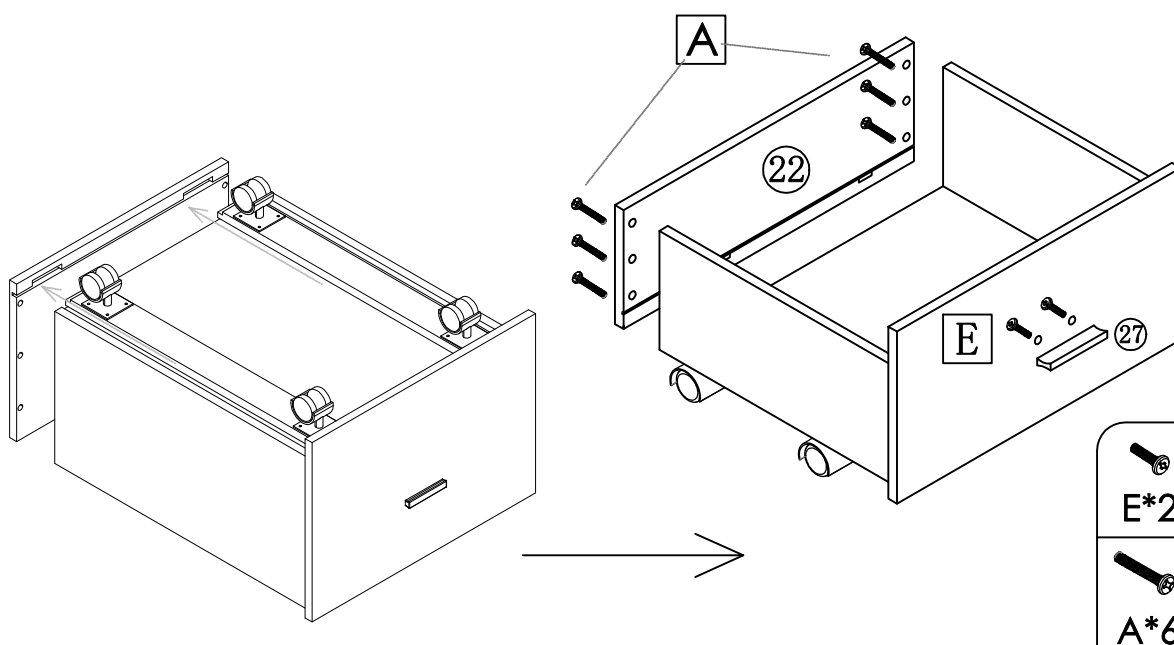


-  D*6
-  I*6

Assembly Instruction

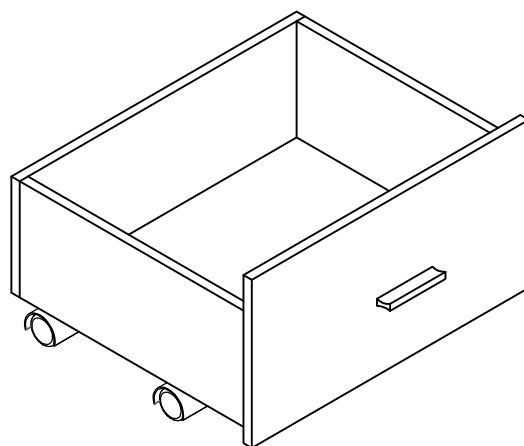
STEP 13

attach backboard(22) to the drawer with screws(A). And then attach the handle to front board of drawer(27) with screws(E).



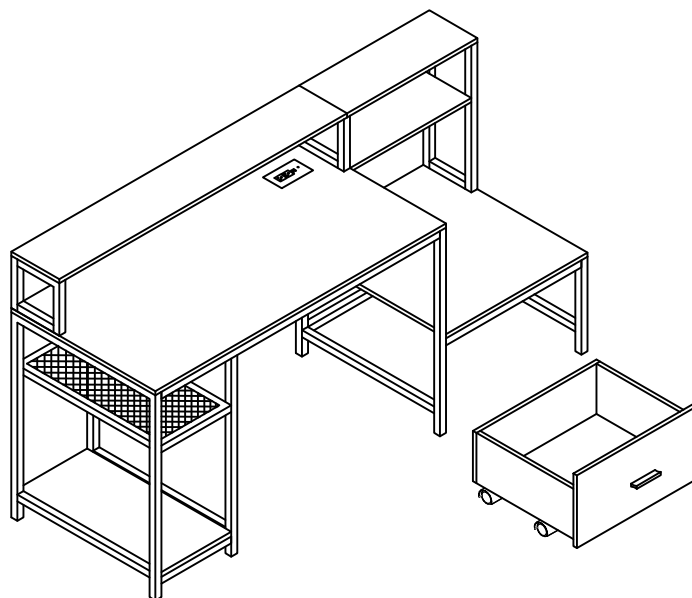
STEP 14

Completed drawer.



Assembly Instruction

STEP 15 Put the assembled drawer in the bottom-right corner.



STEP 16 Place the non-woven drawer where you want to organize your stuffs.

