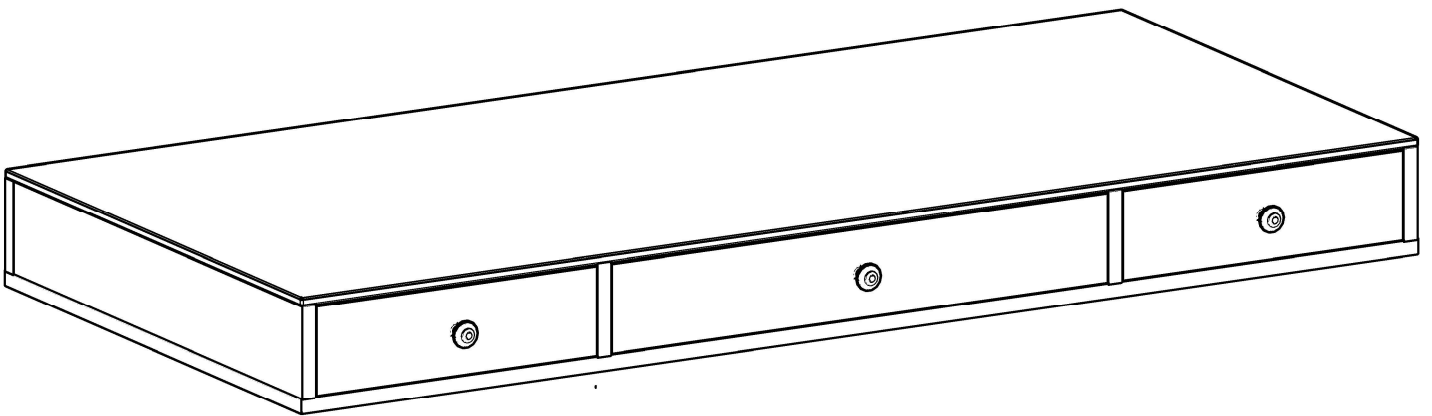


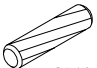


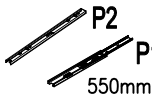

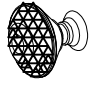
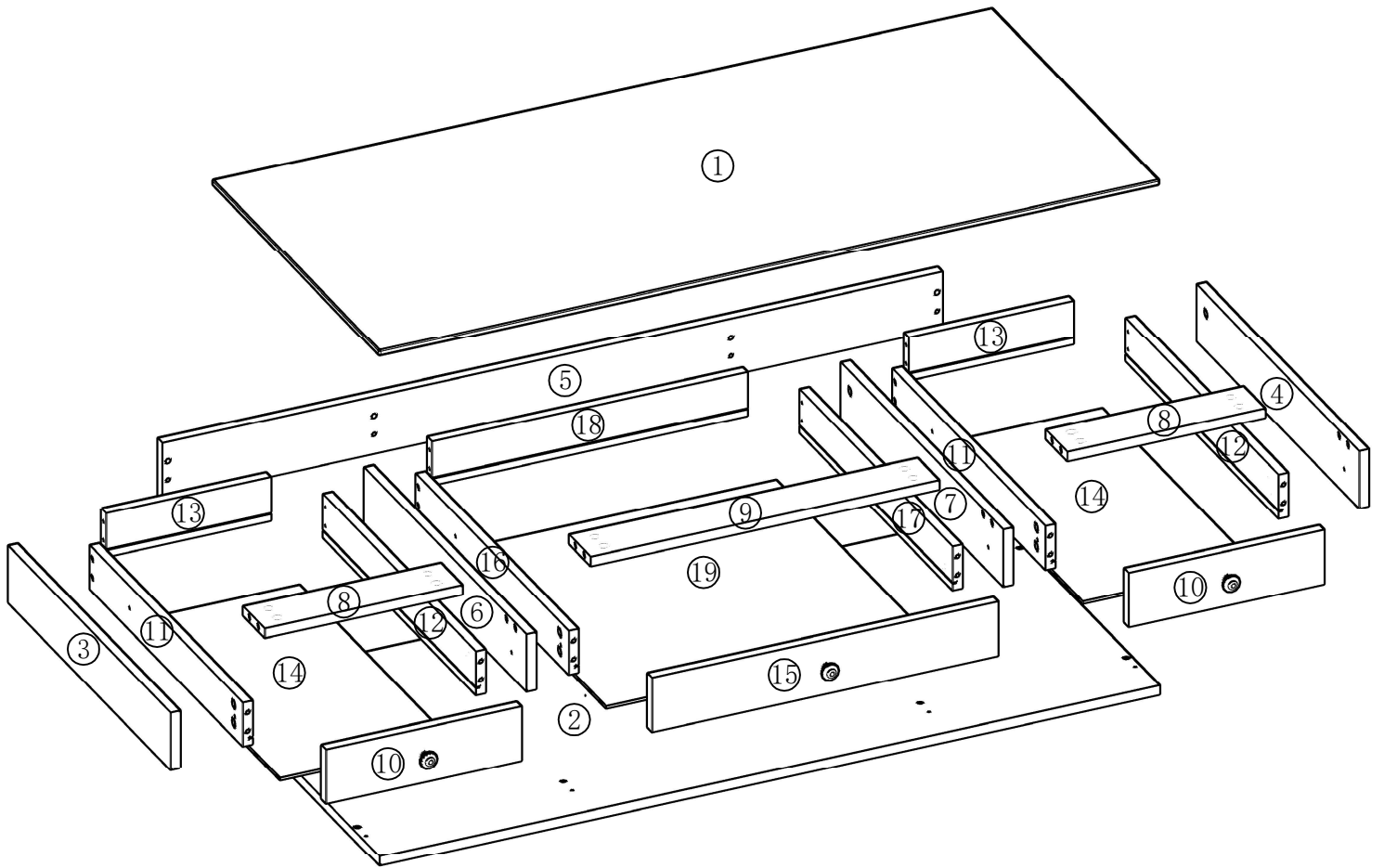
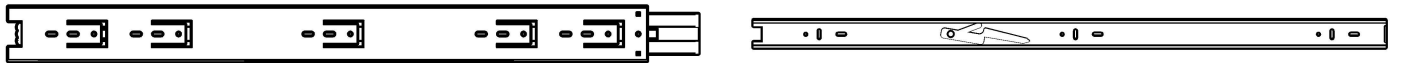
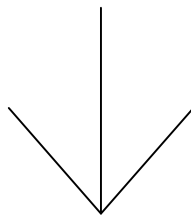
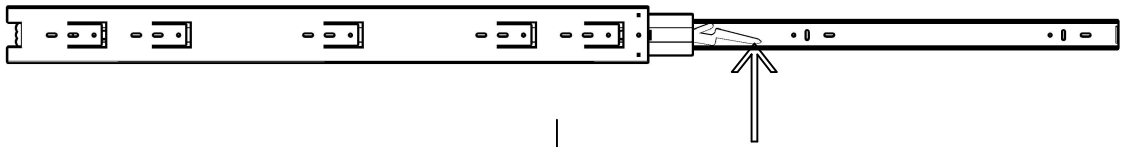


Assembly Instruction

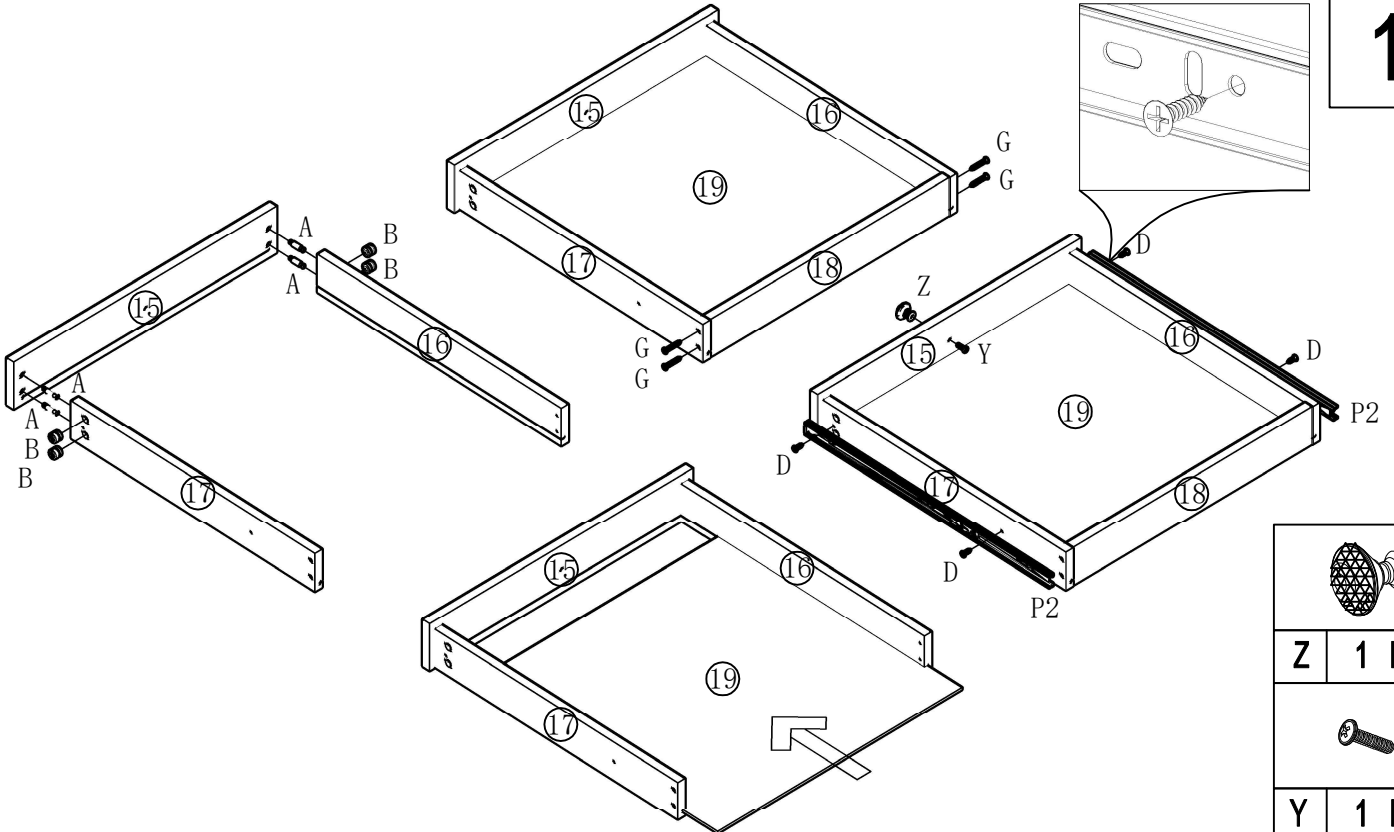


															
A	28 PCS	B	28 PCS	C	16 PCS	D	24 PCS	G	25 PCS	P	3 PCS	Y	3 PCS	Z	3 PCS





1

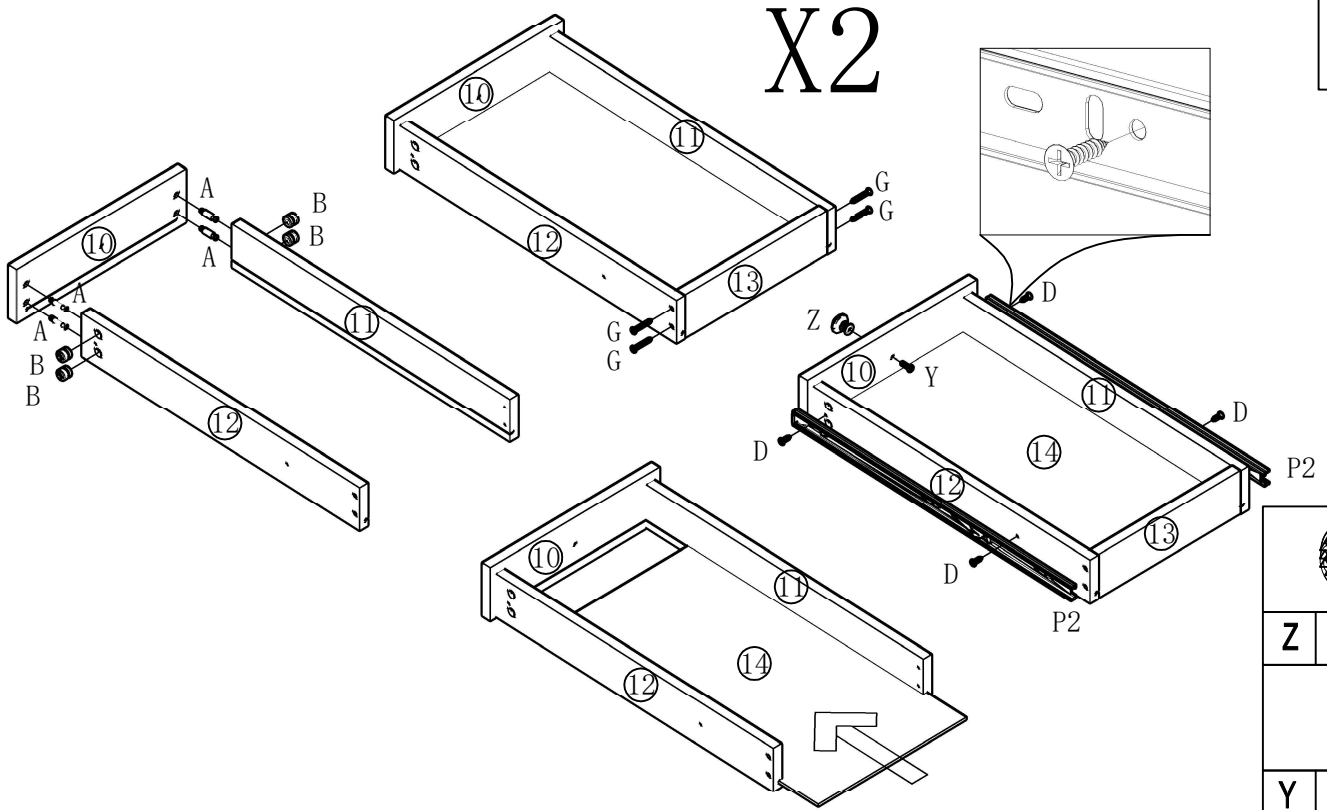


	Z	1 PCS
	Y	1 PCS

	$\phi 6 \times 38\text{mm}$		$\phi 15 \times 11\text{mm}$		ST3.5*14mm		ST4*35mm		P2		P1	550mm
A	4 PCS	B	4 PCS	D	4 PCS	G	4 PCS	P2	1 PCS			

2

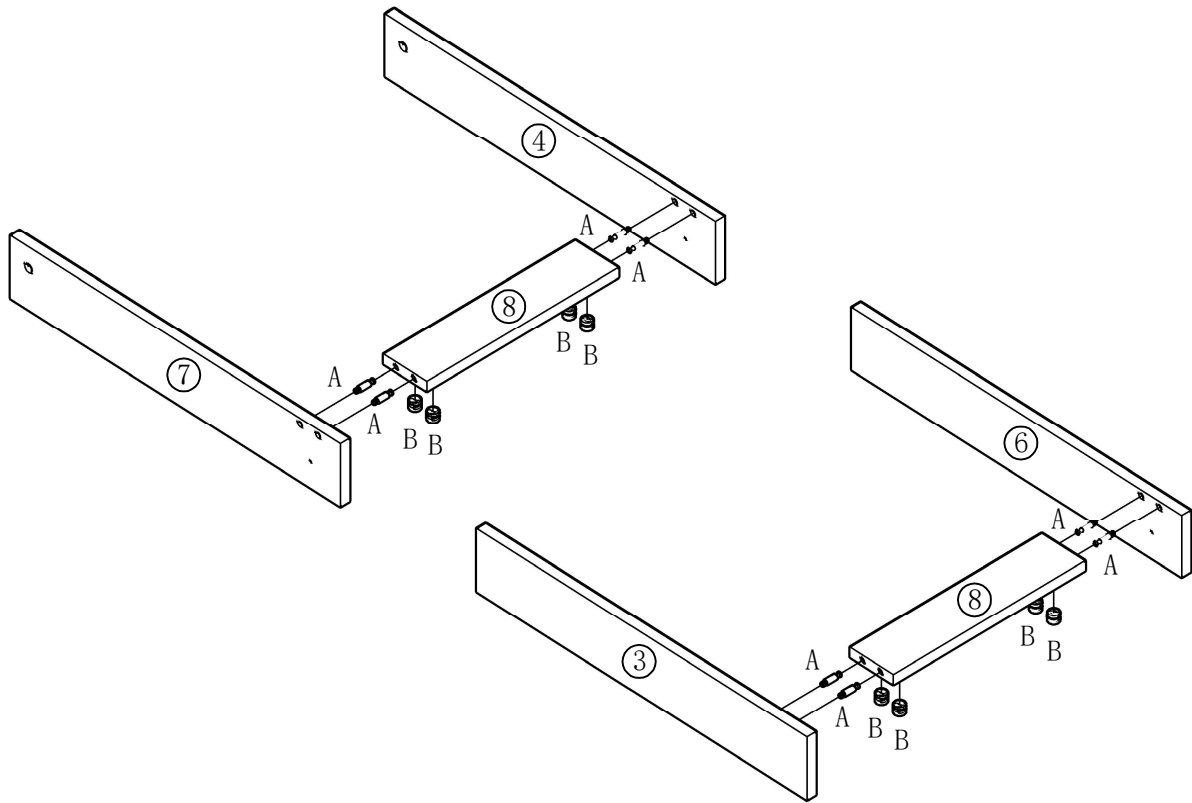
X2





	Z	2 PCS
	Y	2 PCS

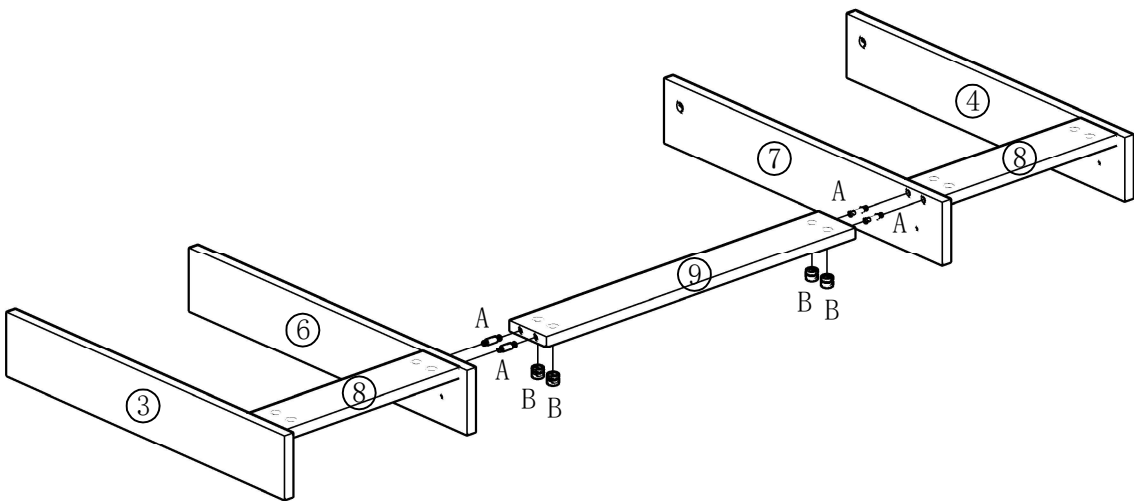
	$\phi 6 \times 38\text{mm}$		$\phi 15 \times 11\text{mm}$		ST3.5*14mm		ST4*35mm		P2		P1	550mm
A	8 PCS	B	8 PCS	D	8 PCS	G	8 PCS	P	2 PCS			



3



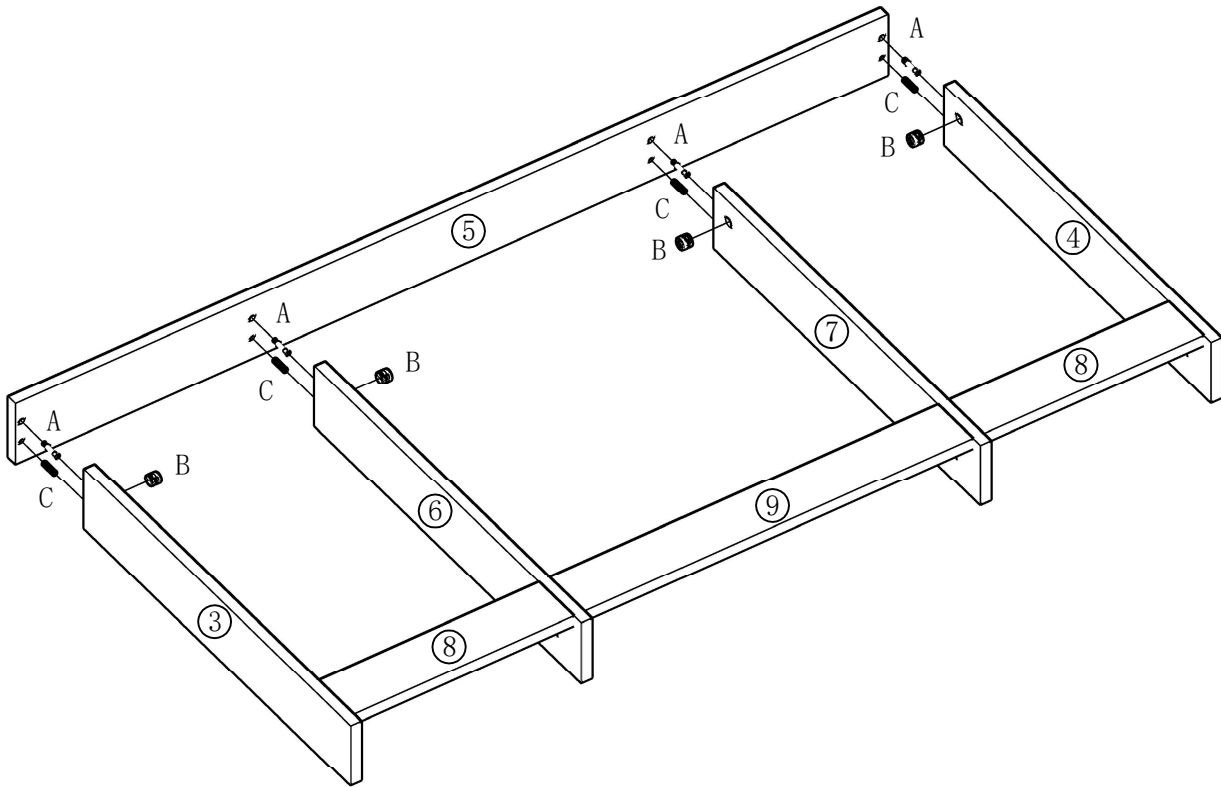
	$\pm 6 \times 38\text{mm}$		$\pm 15 \times 11\text{mm}$
A	8 PCS	B	8 PCS



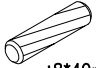
4



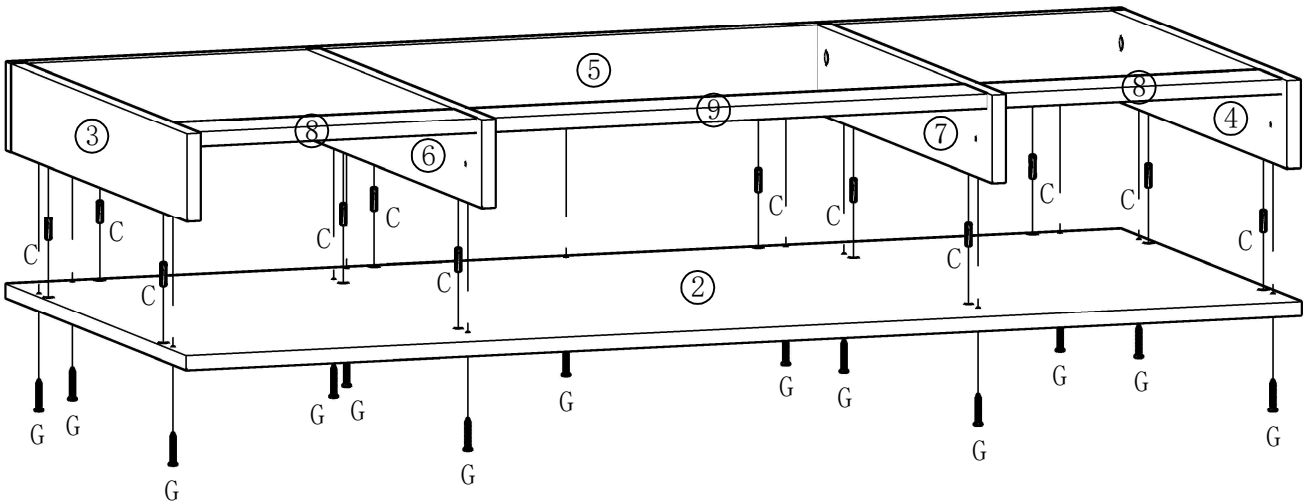
	$\pm 6 \times 38\text{mm}$		$\pm 15 \times 11\text{mm}$
A	4 PCS	B	4 PCS

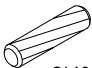

5



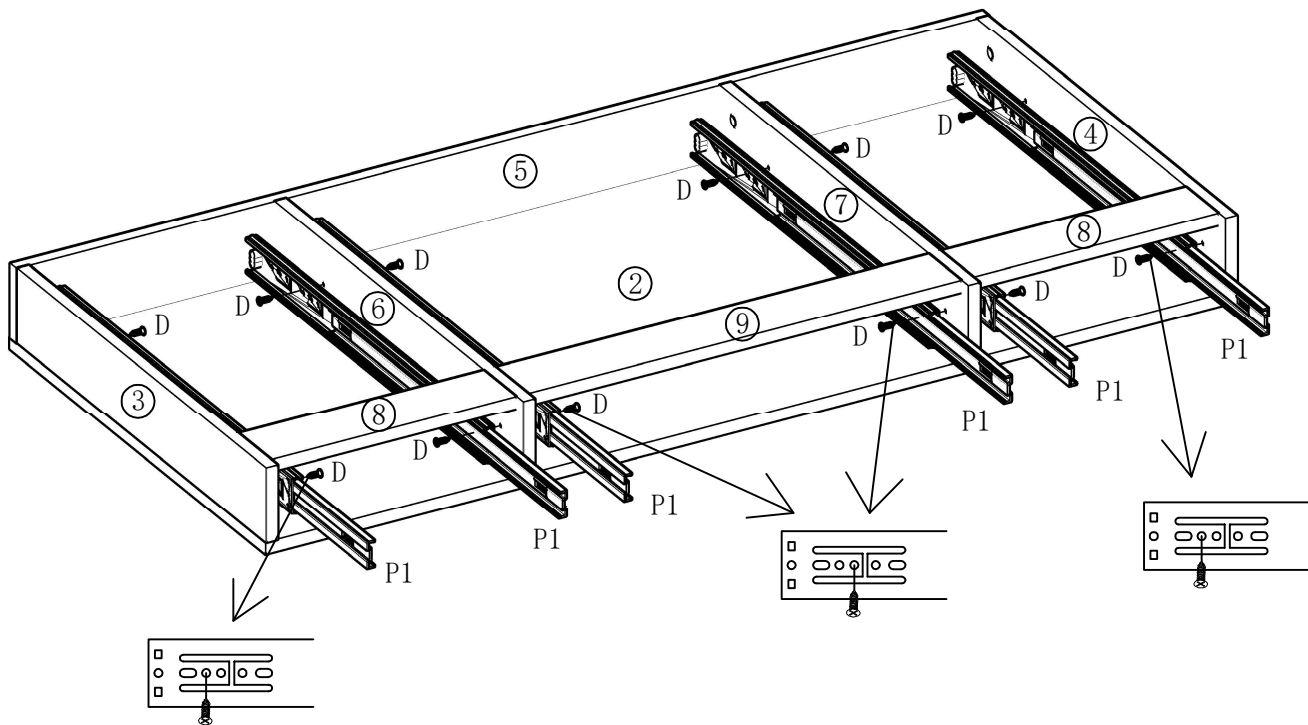
					
∅6*38mm	∅15*11mm	∅8*40mm			
A	4 PCS	B	4 PCS	C	4 PCS



6



			
∅8*40mm	ST4*35mm		
C	12 PCS	G	13 PCS

7



	 ST3.5*14mm	 P2 P1 550mm
D	12 PCS	P 3 PCS

8

