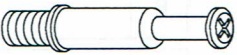



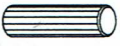

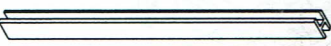

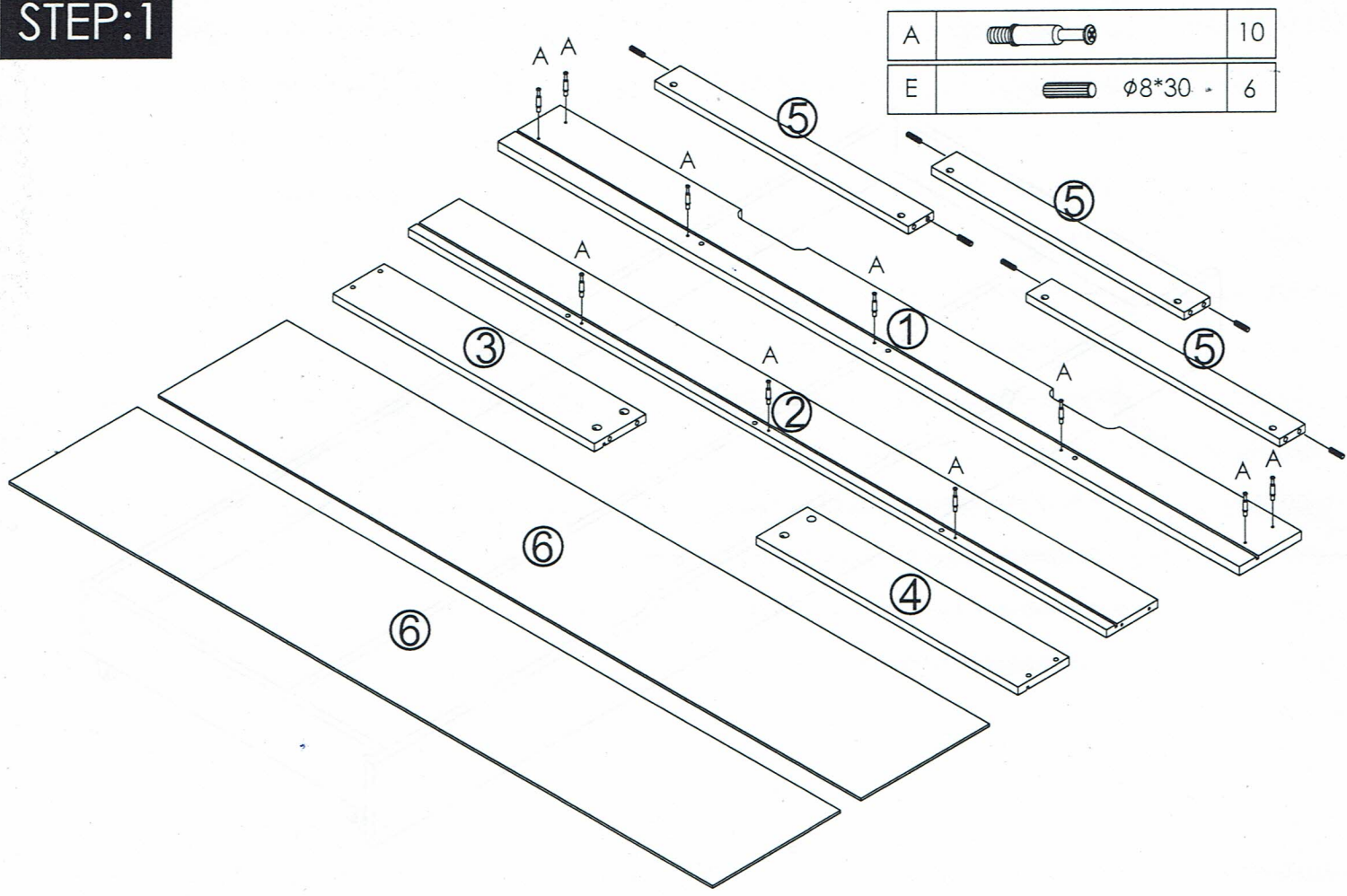
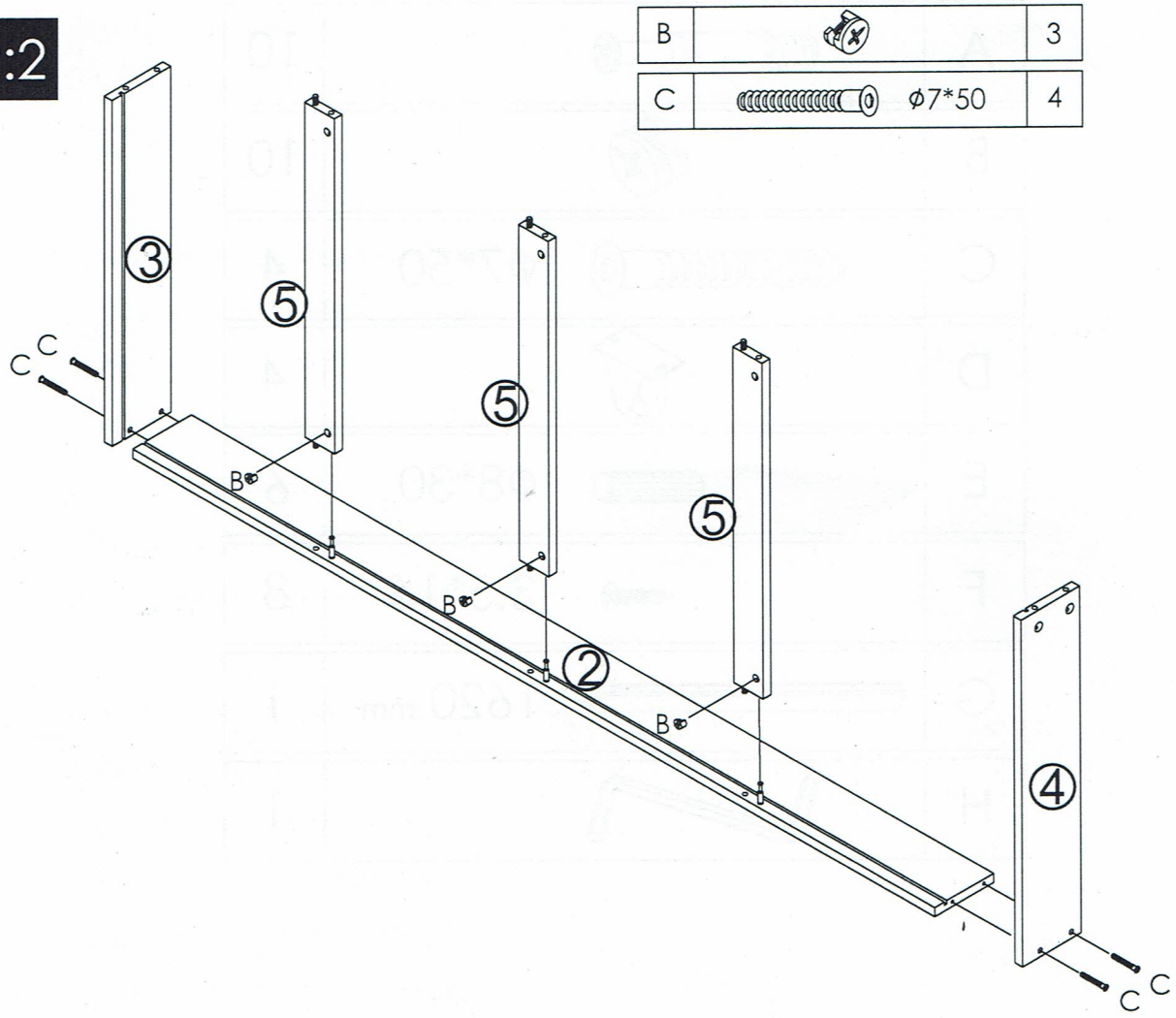


A			10
B			10
C		$\phi 7 * 50$	4
D			4
E		$\phi 8 * 30$	6
F		$3.5 * 16$	8
G		1620 mm	1
H			1

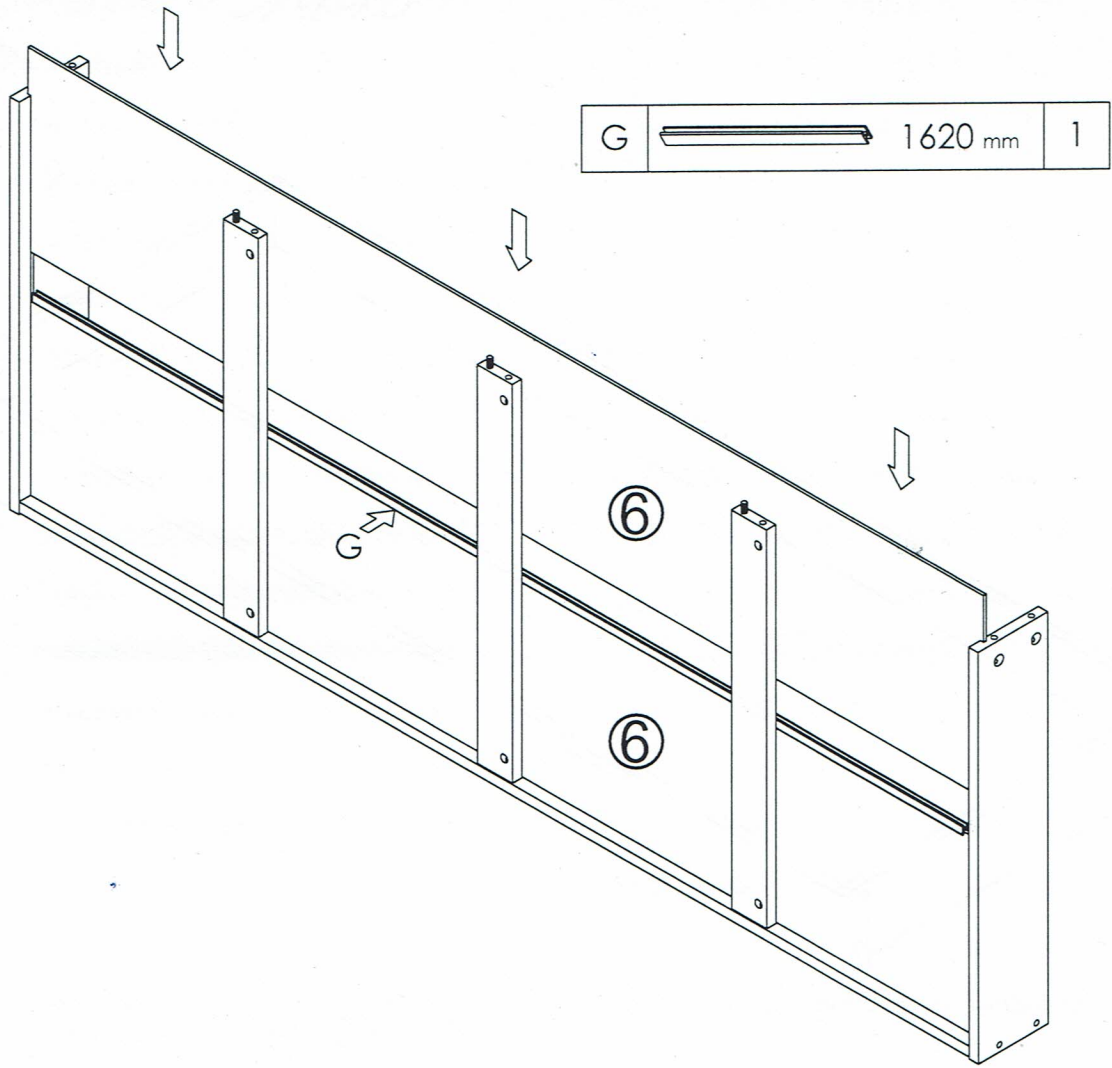
STEP:1



STEP:2



STEP:3



STEP:4

