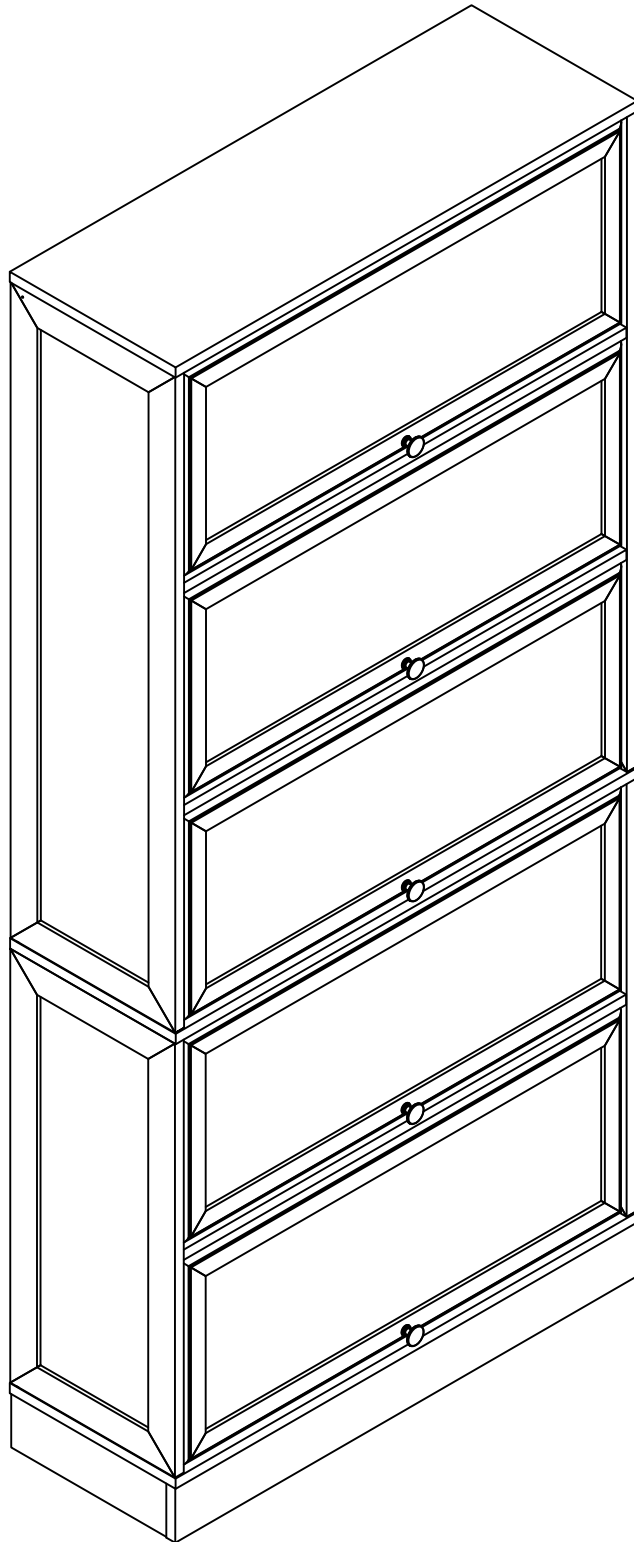
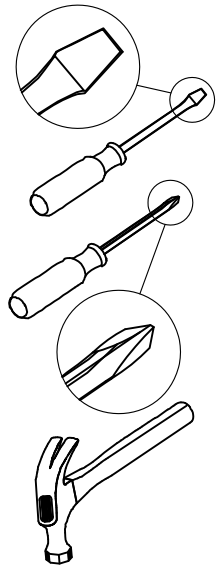


Installation & Assembly



Please thoroughly review the installation instructions prior to commencing the installation process. Ensure that all tools are utilized appropriately and with due care. Should you encounter any questions regarding the product or the installation procedure, do not hesitate to contact us. We will make every effort to assist you in resolving any issues.

Before You Start

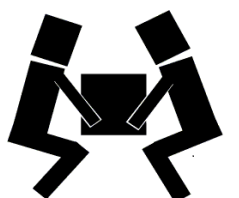
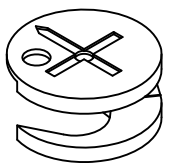
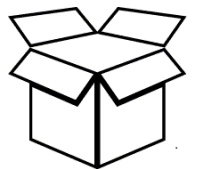


- ✓ Read through each step carefully and follow the proper order
- ✓ Separate and count all your parts and hardware
- ✓ Give yourself enough room for the assembly process
- ✓ Have the following tools: Flat Head Screwdriver, #2 Phillips Head Screwdriver and Hammer
- ✓ Caution: If using a power drill or power screwdriver for screwing, please be aware of to slow down and stop when screw is tight. Failure to do so may result in stripping the screw. (Assembly speed can be increased by using electric screwdriver)

Helpful Hints

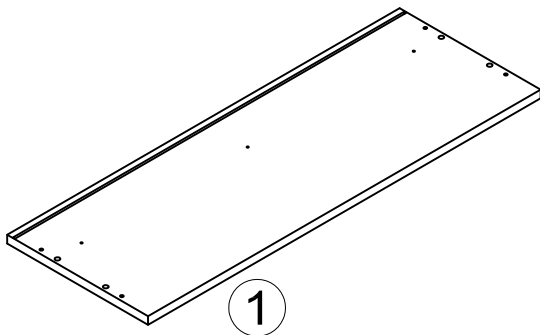
PEOPLE NEEDED FOR ASSEMBLY: 1-2

- Open your item in the area you plan to keep it to avoid excessive heavy lifting.
- Identify, sort and count the parts before attempting assembly.
- Compression dowels are lightly tapped in with a hammer.
- Slides are labeled with an **R** (right) and **L** (left) for proper placement.
- Make sure to always face the point on the top of the Cam Lock towards the outer edge.
- If there is a back panel in the package, please install it to make sure your unit is complete and sturdy.
- Please fix all the screws provided for the back panel which can enhance product stability. If it is difficult to fix it when tightening, it can be fixed with the help of a hammer and then tightened.
- Do NOT use harsh chemicals or abrasive cleaners on this item.
- Never push, pull, or drag your furniture.

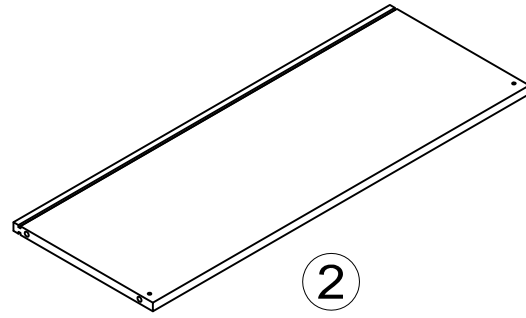


Board Identification

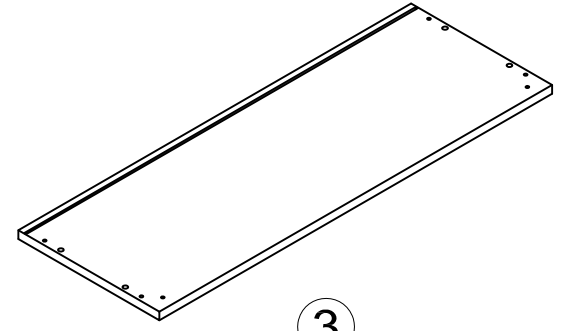
Not actual size



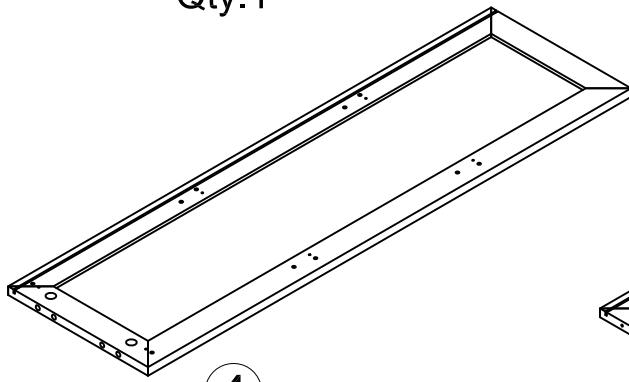
①
TOP
Qty:1



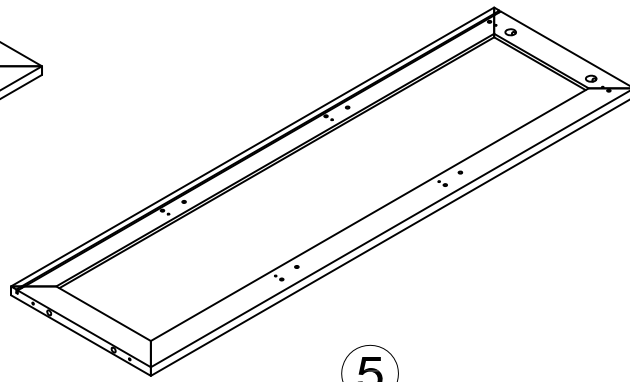
②
FIXED SHELF
Qty:3



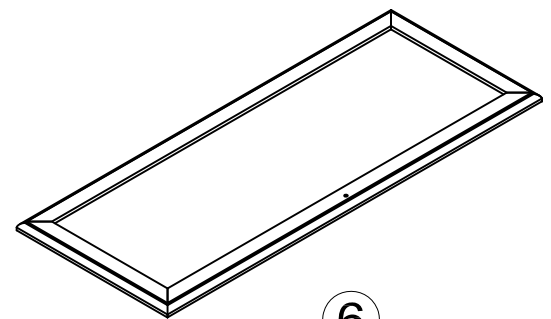
③
BOTTOM
Qty:1



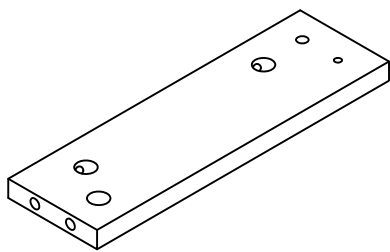
④
UPPER LEFT SIDE PANEL
Qty:1



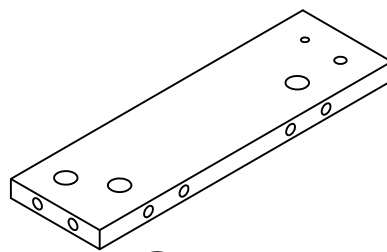
⑤
UPPER RIGHT SIDE PANEL
Qty:1



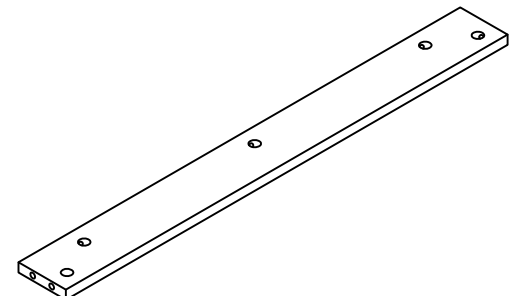
⑥
DOOR
Qty:5



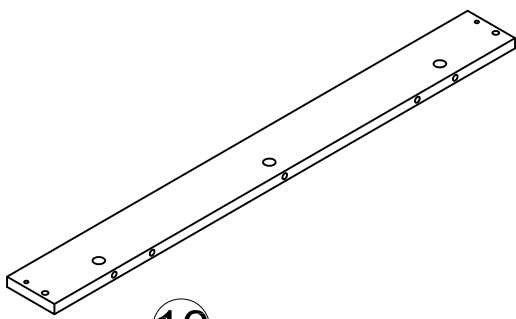
⑦
RAIL
Qty:1



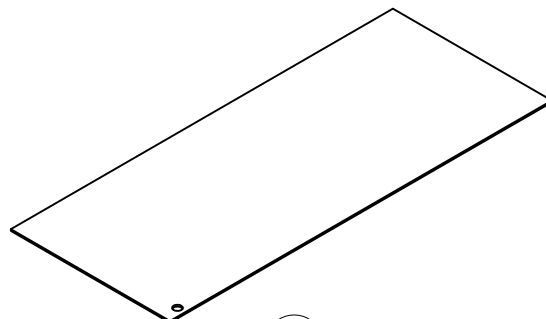
⑧
RAIL
Qty:1



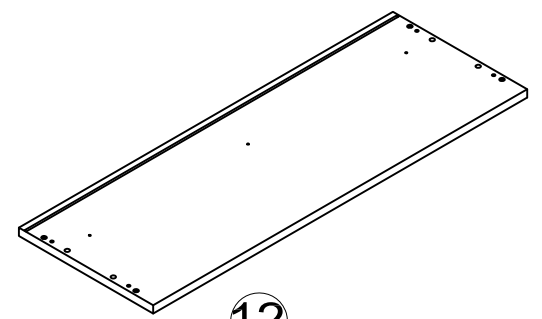
⑨
RAIL
Qty:1



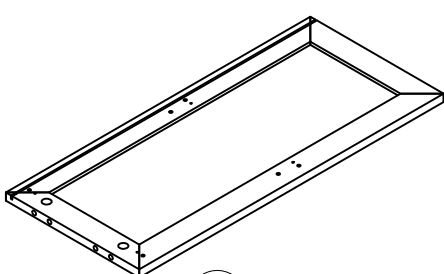
⑩
RAIL
Qty:1



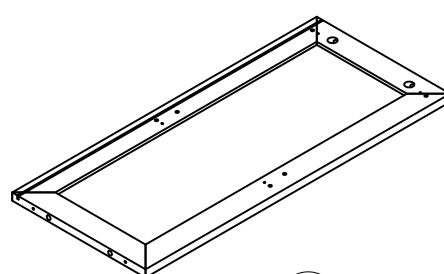
⑪
BACK PANEL
Qty:5



⑫
FIXED SHELF
Qty:1

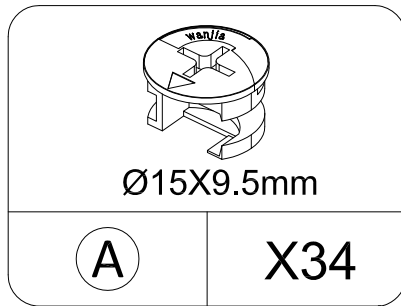


⑬
LEFT SIDE PANEL
Qty:1

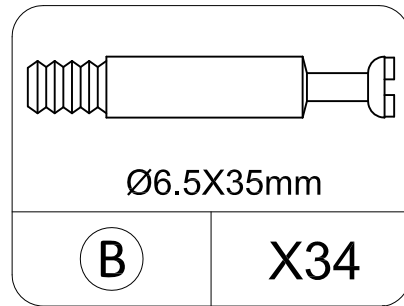


⑭
RIGHT SIDE PANEL
Qty:1

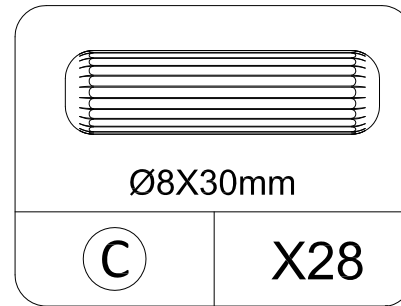
Part List



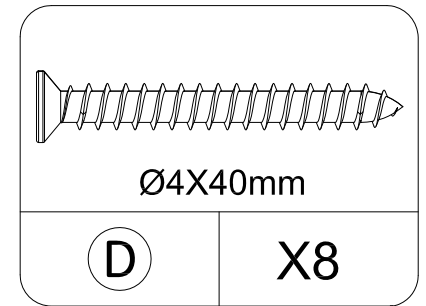
CAM LOCK
spare:2



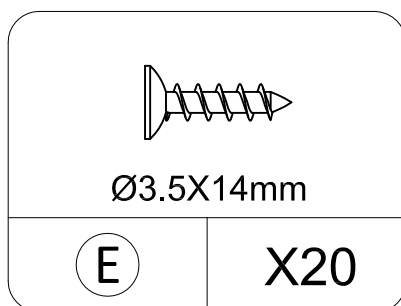
CAM BOLT
spare:2



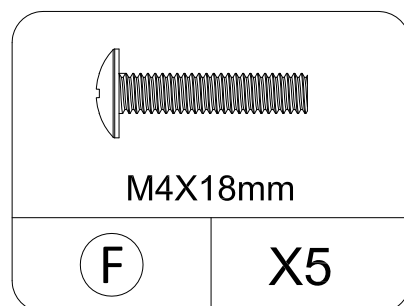
WOODEN DOWEL
spare:2



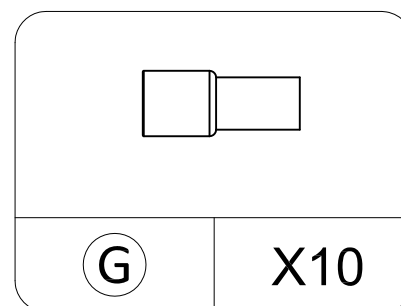
SCREW
spare:1



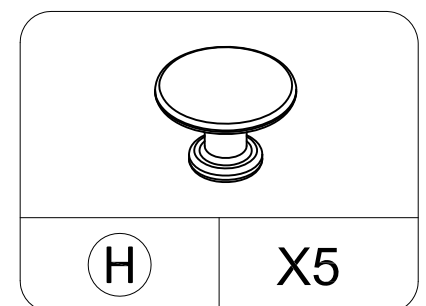
SCREW
spare:2



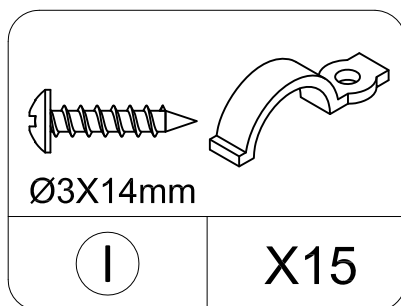
SCREW



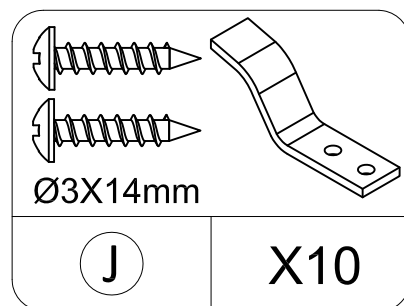
SHELF SUPPORT
spare:1



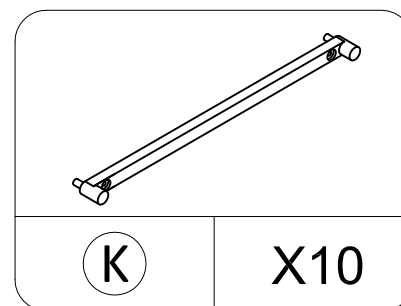
HANDLE



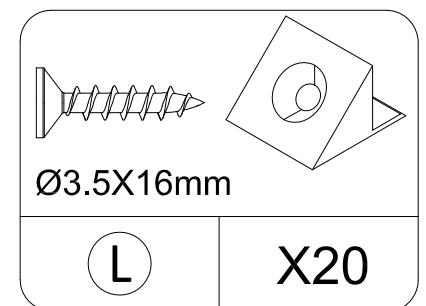
SCREW
spare:1



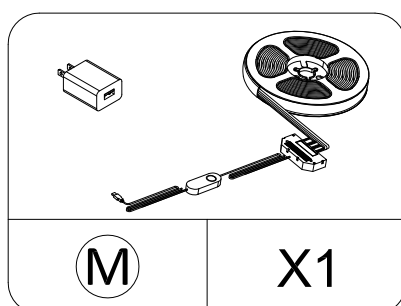
SCREW



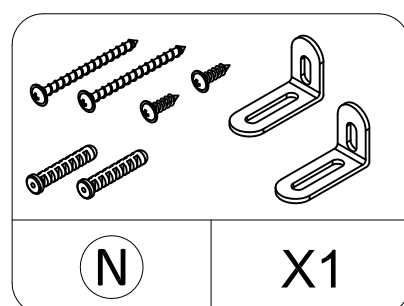
DRAWER RUNNER



BACKBOARD BUCKLE
spare:1



LIGHT STRIP

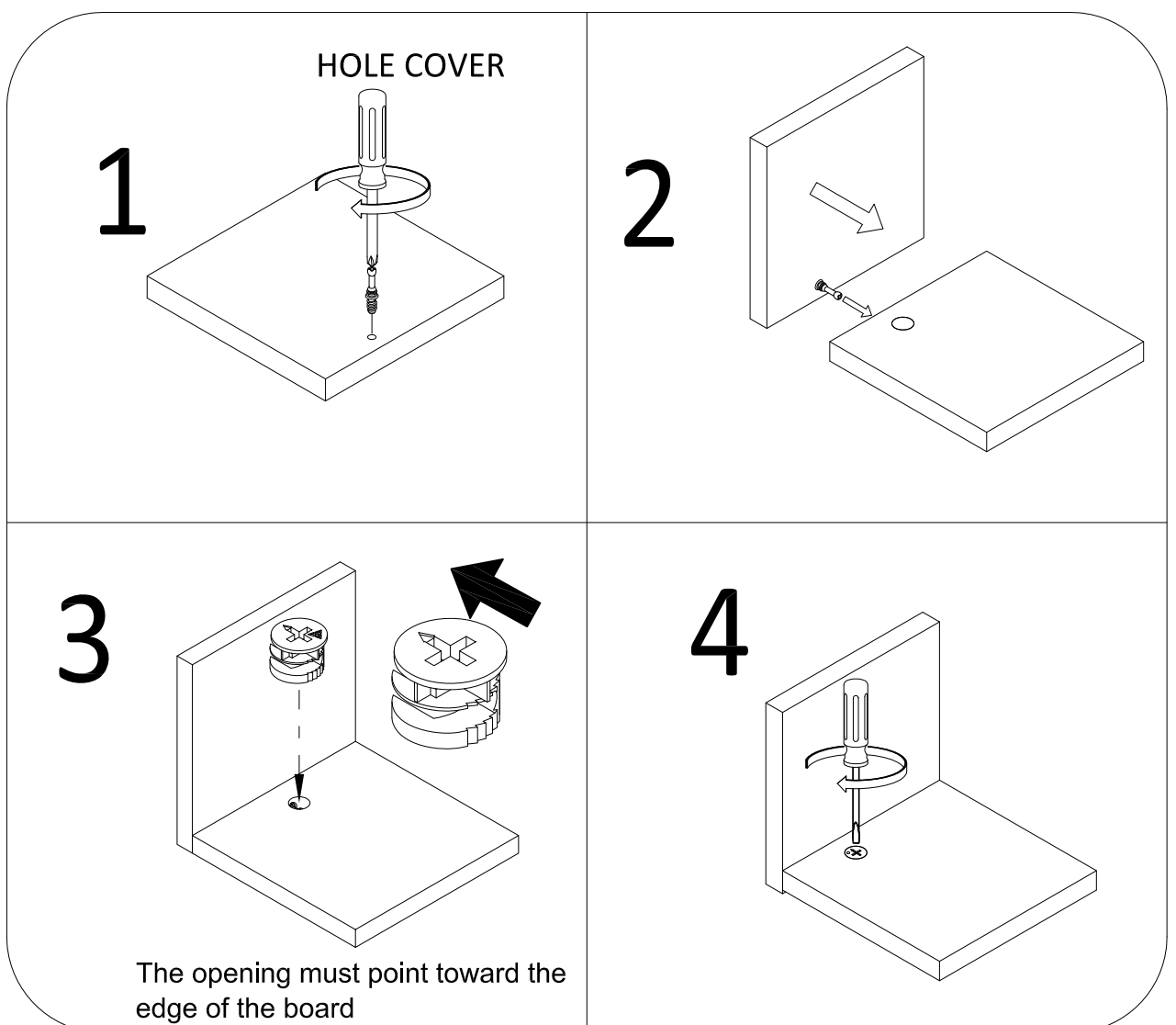


ANTI-TIPPING HARDWARE

Part List

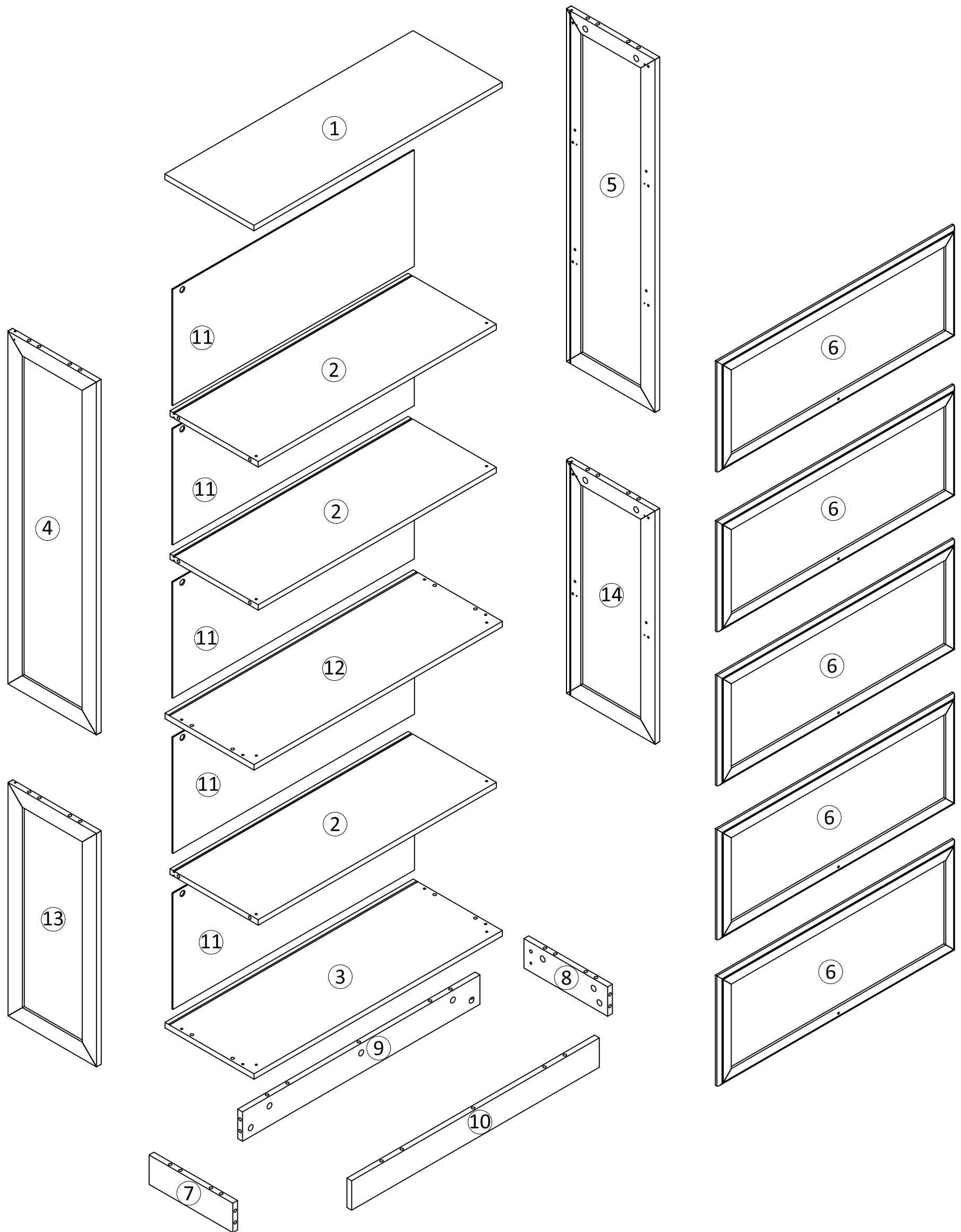
Cam Lock Fastening System

Insert the cam bolt into the hole first, then insert the cam lock and lock it.

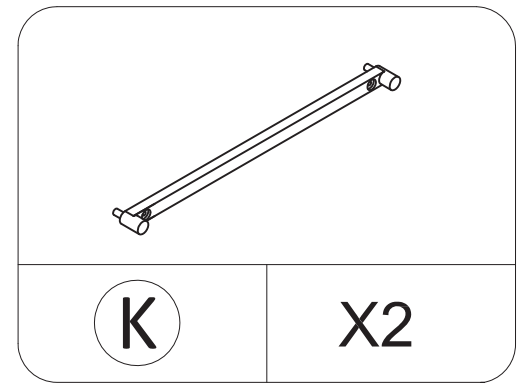
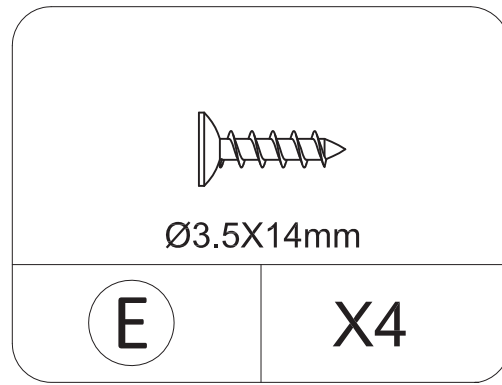
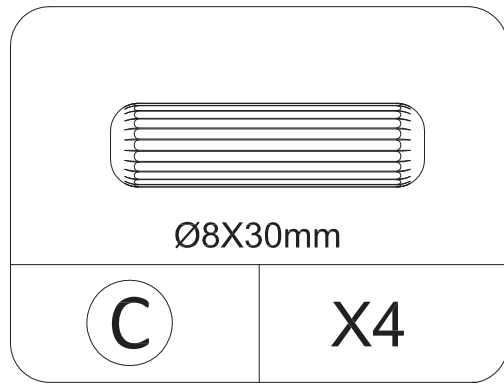
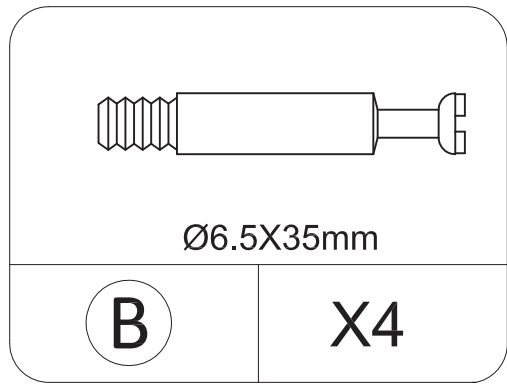


Board Identification

Not actual size



STEP1

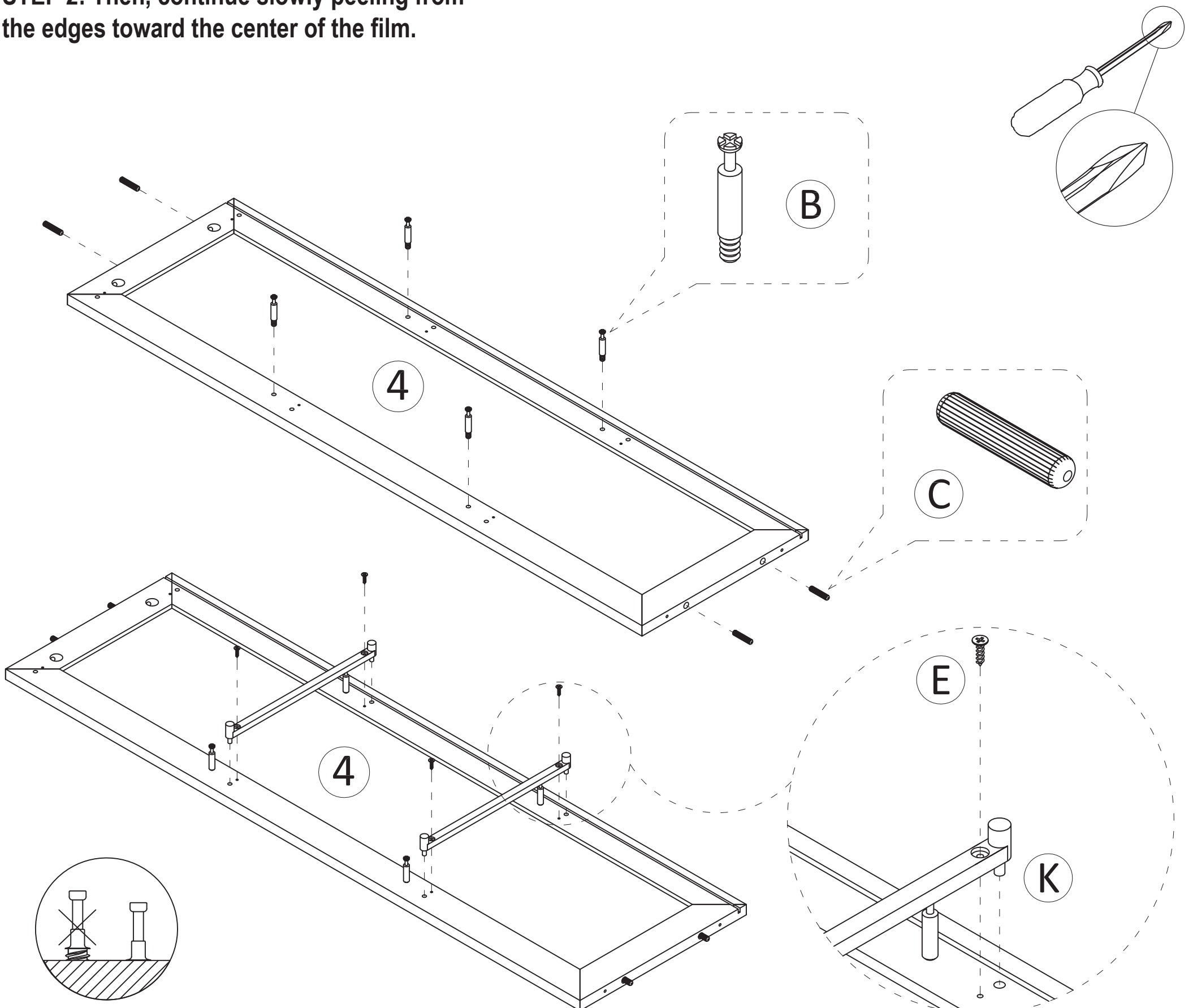


Before installation, remove the protective film from the acrylic panel.

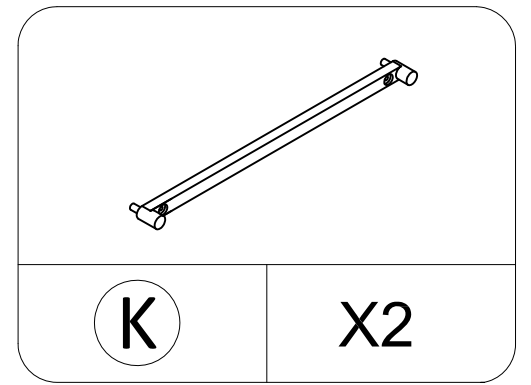
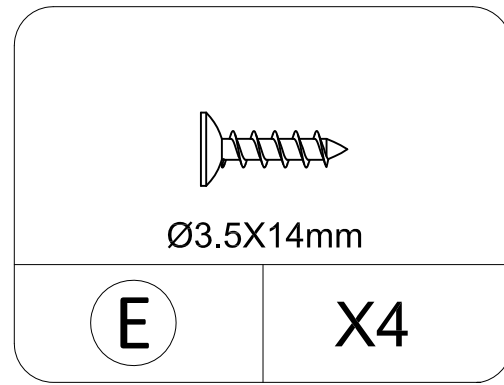
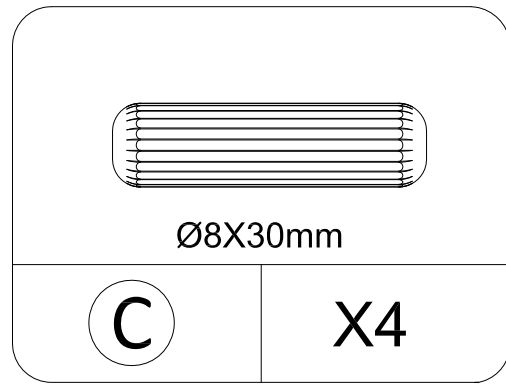
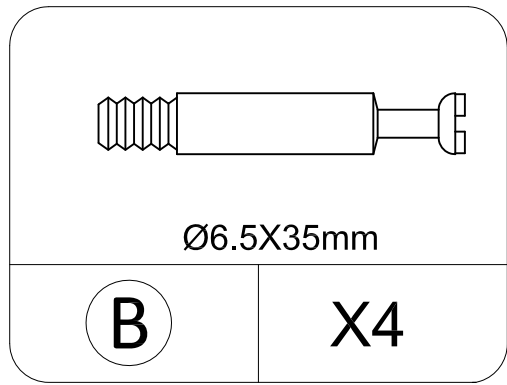
The method for removing the protective film from this product is as follows:

STEP 1: Starting from the opening of the protective film, slowly lift up all four edges.

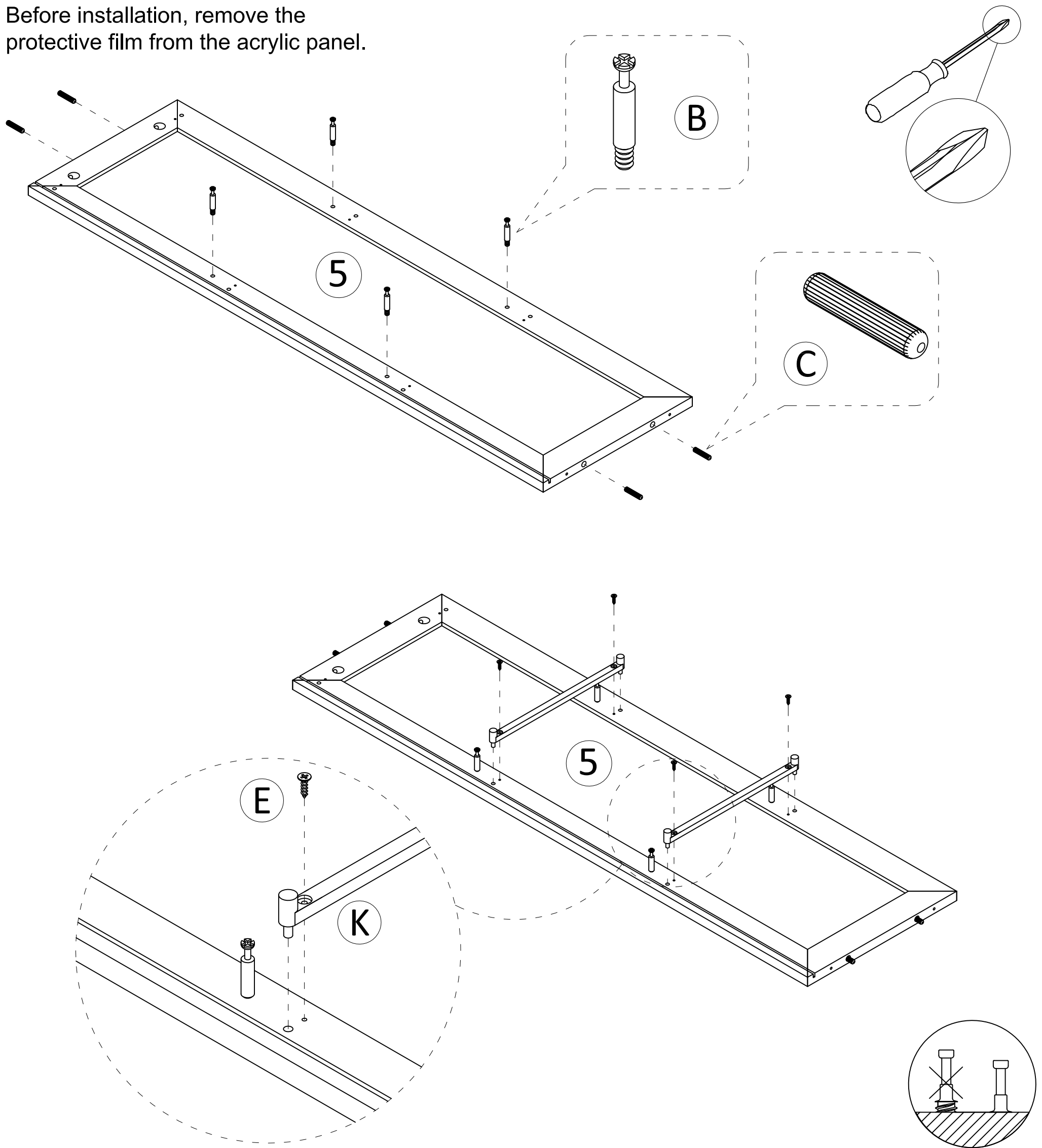
STEP 2: Then, continue slowly peeling from the edges toward the center of the film.



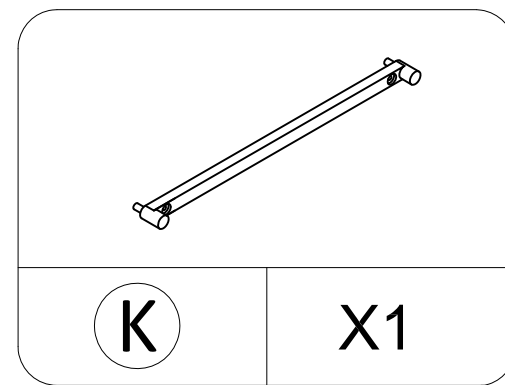
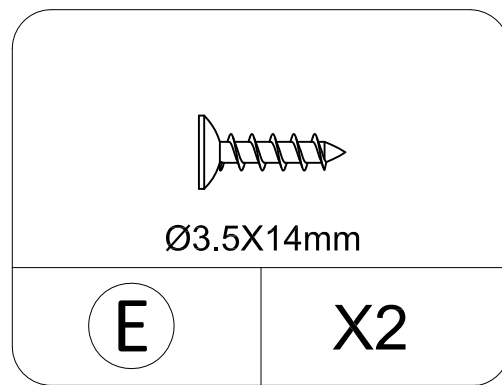
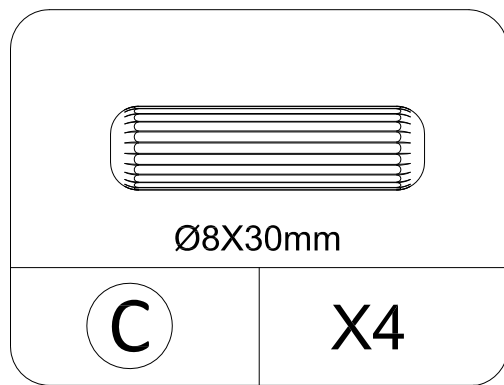
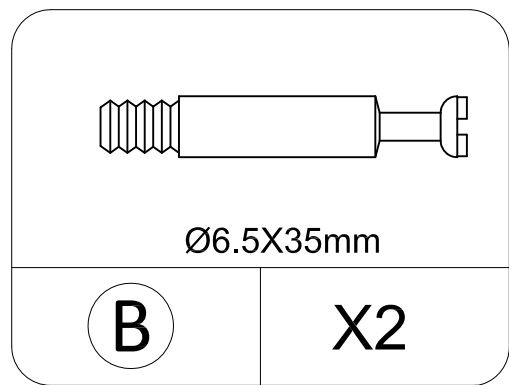
STEP 2



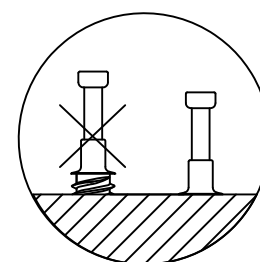
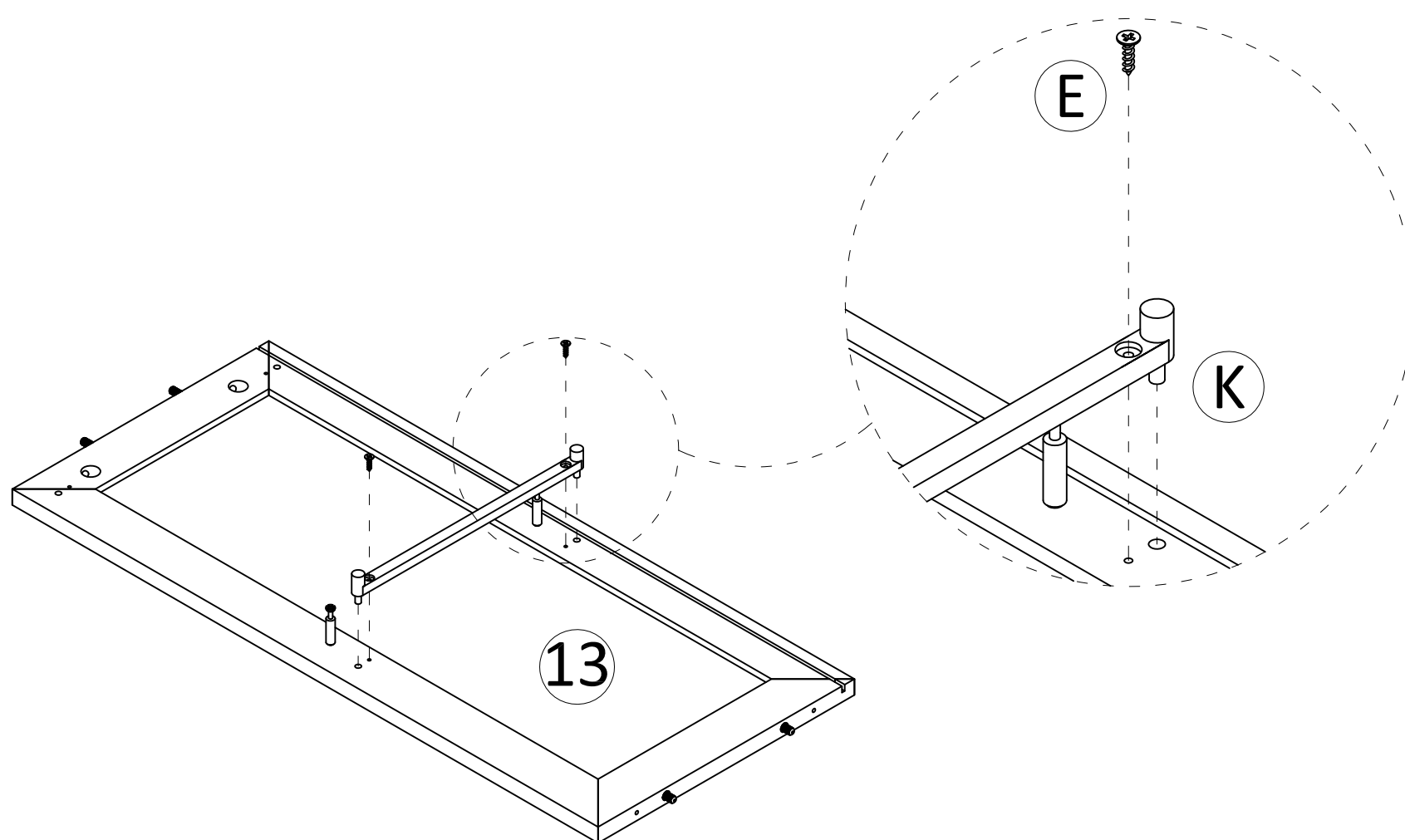
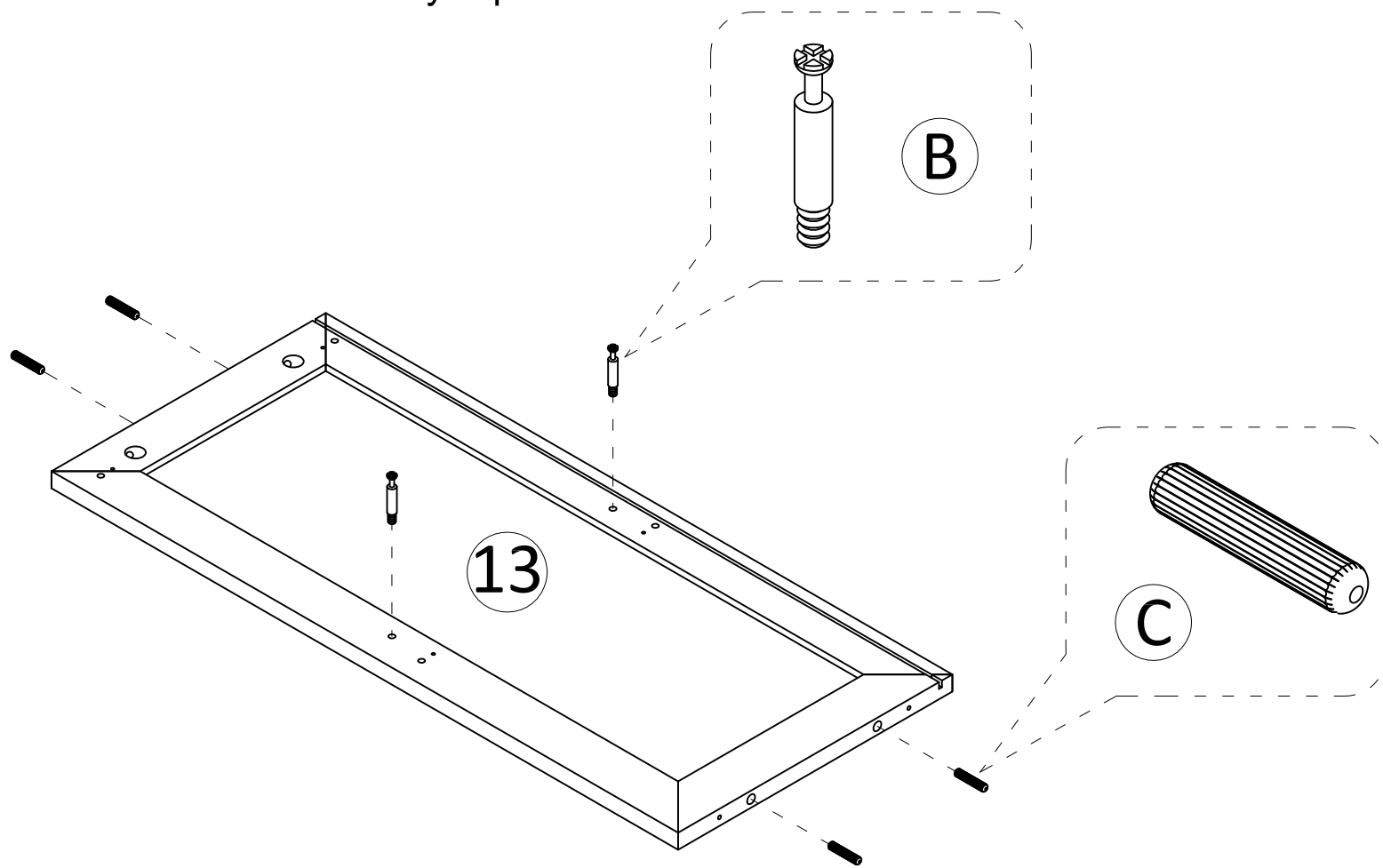
Before installation, remove the protective film from the acrylic panel.



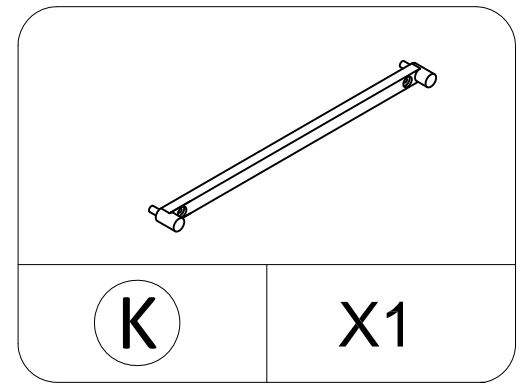
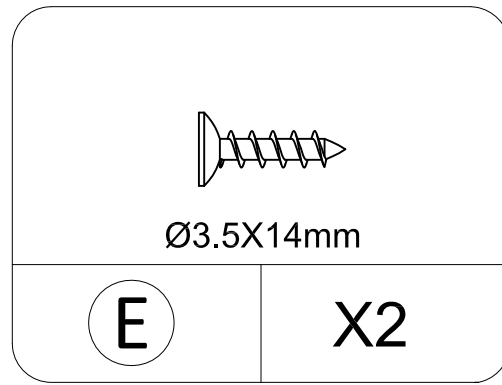
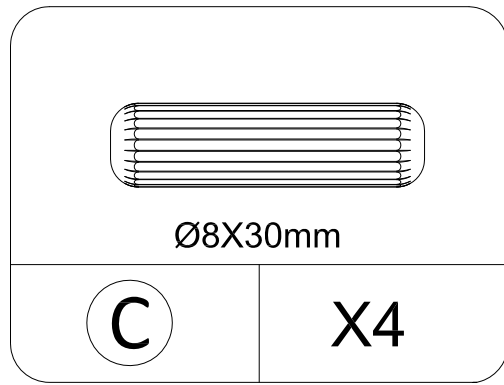
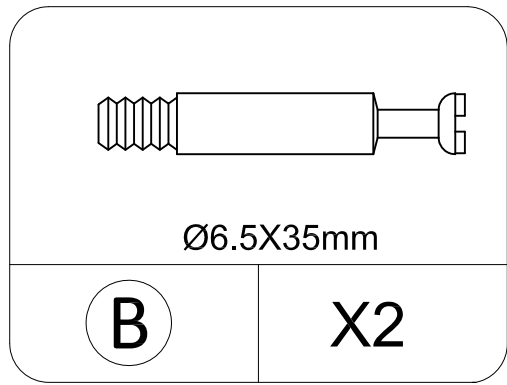
STEP 3



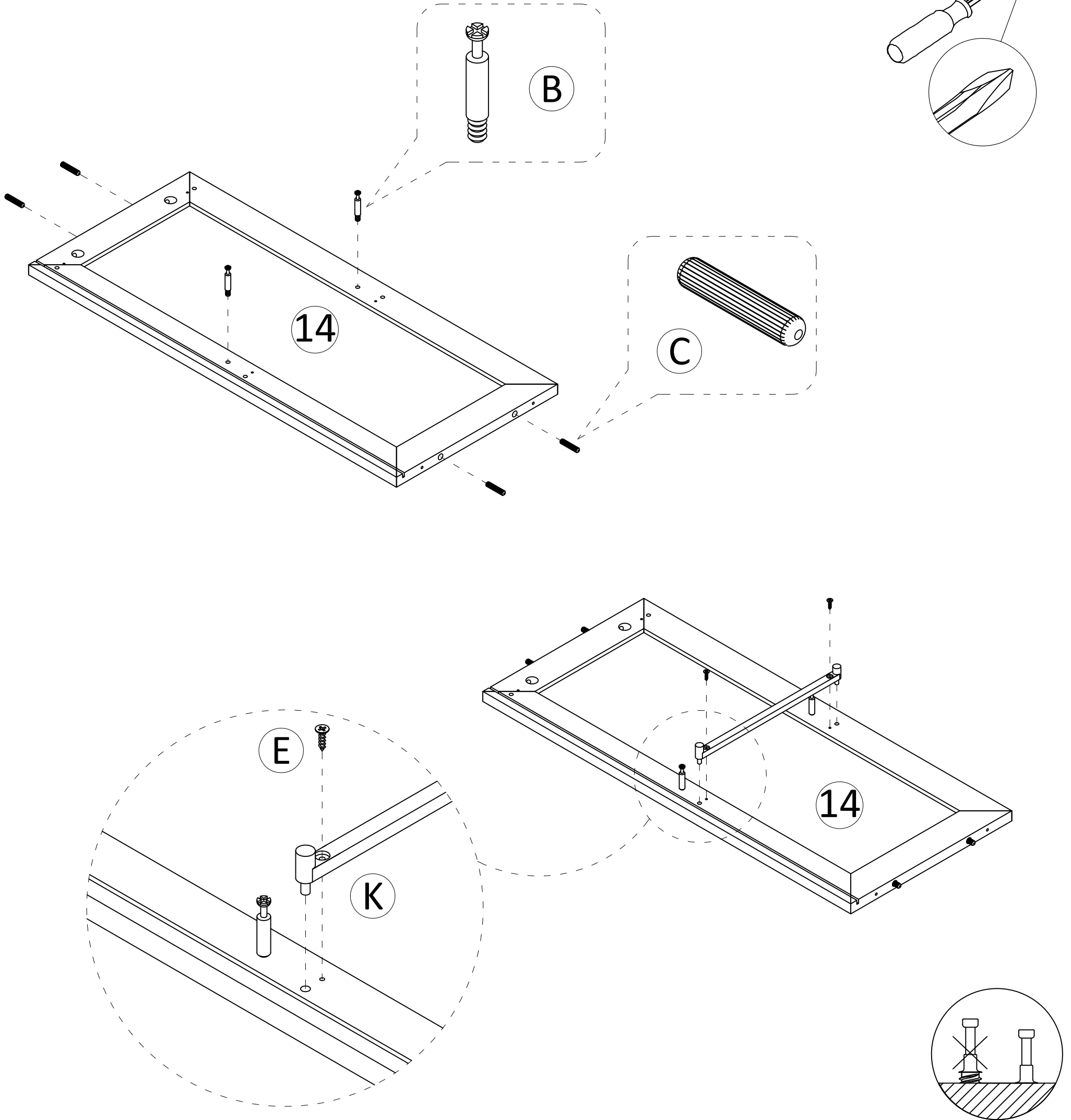
Before installation, remove the protective film from the acrylic panel.



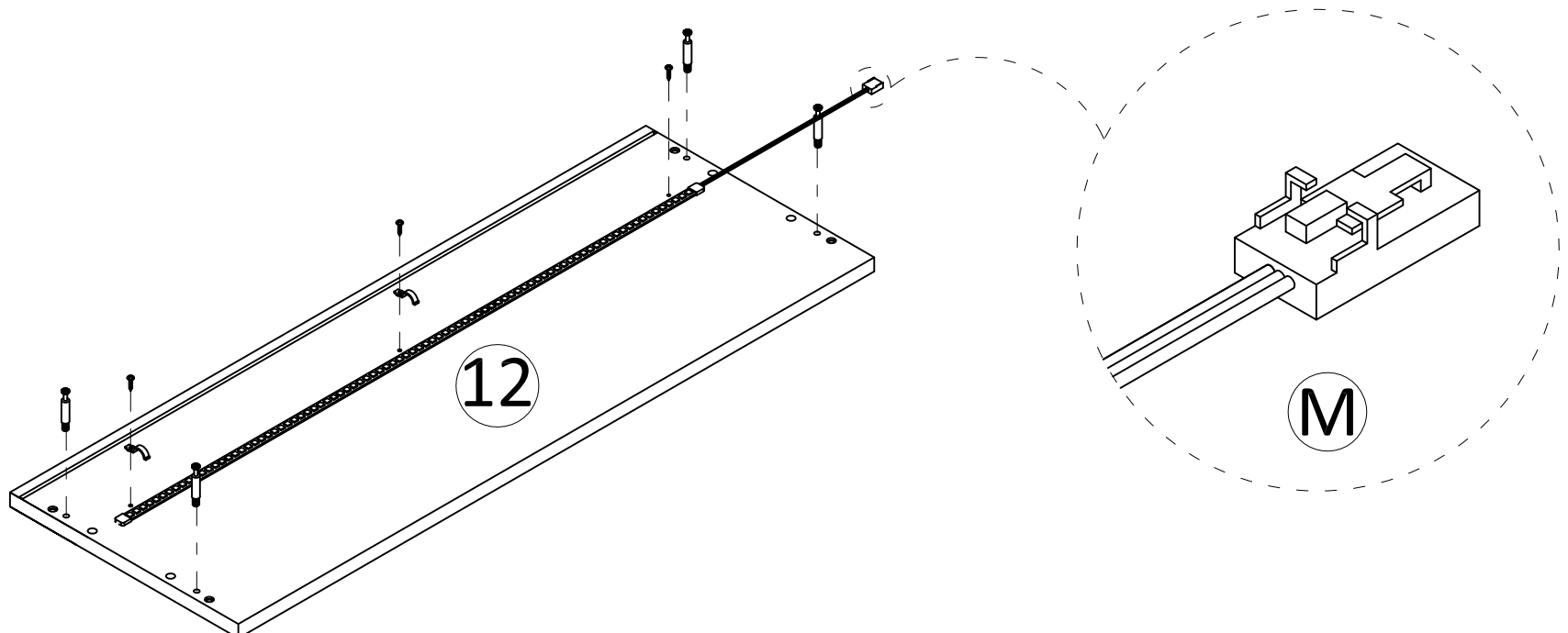
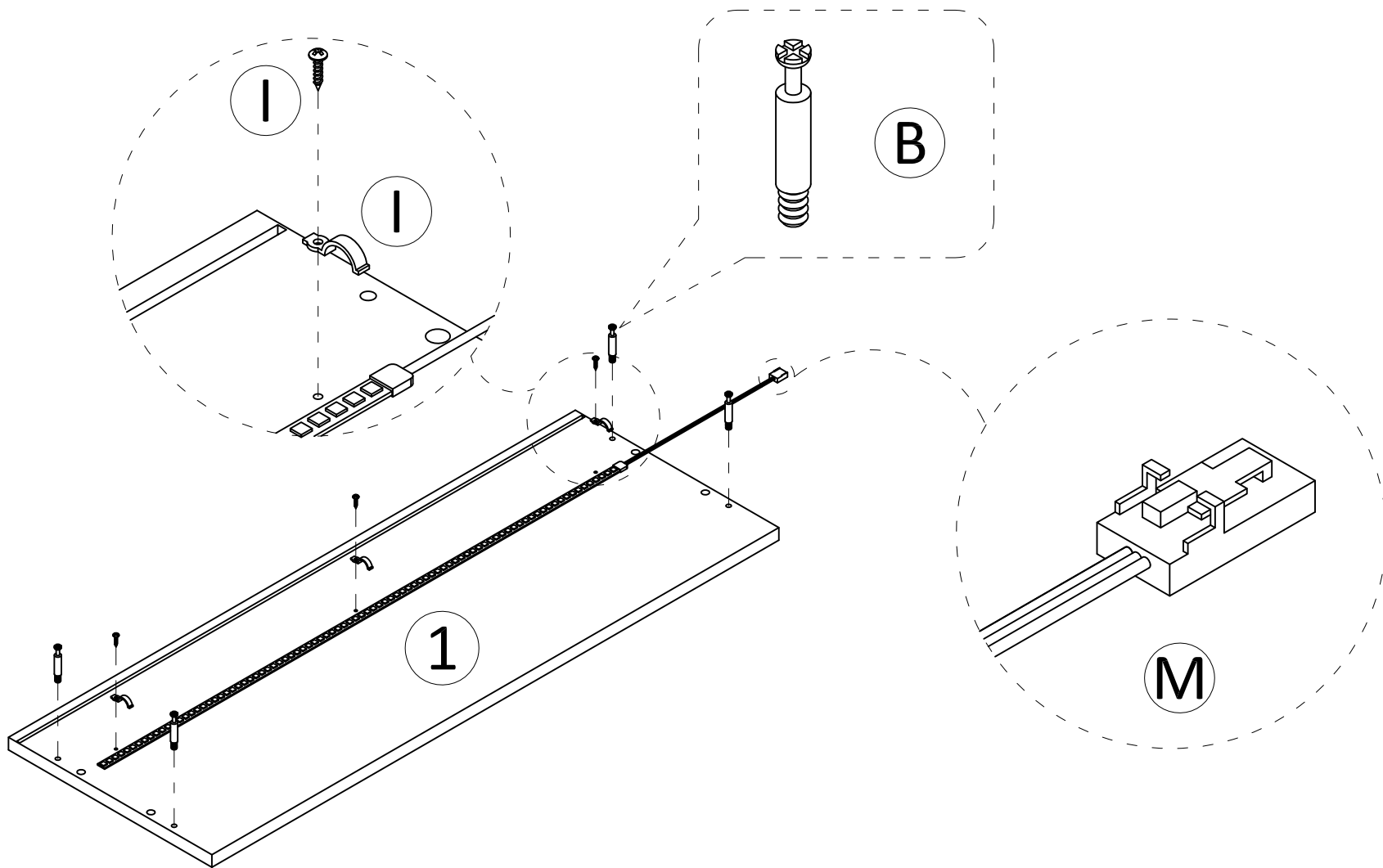
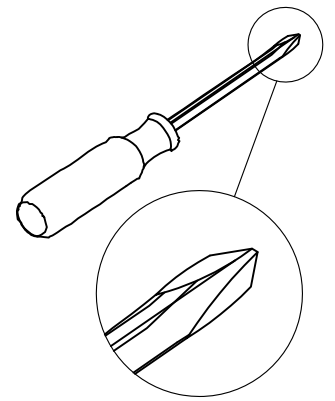
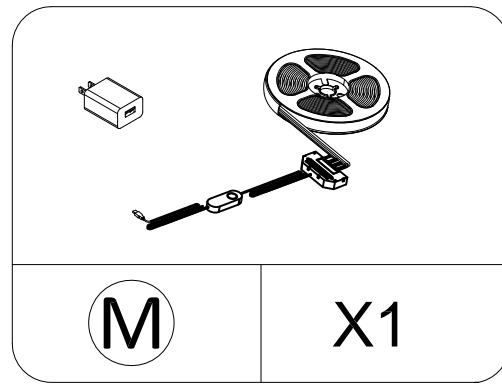
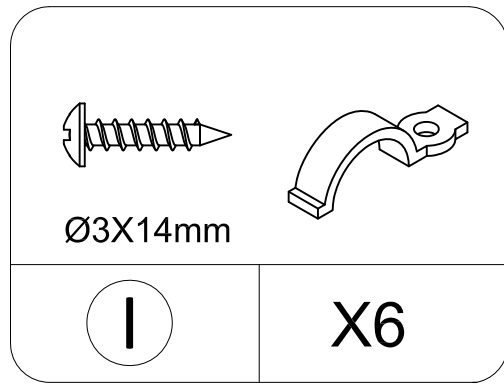
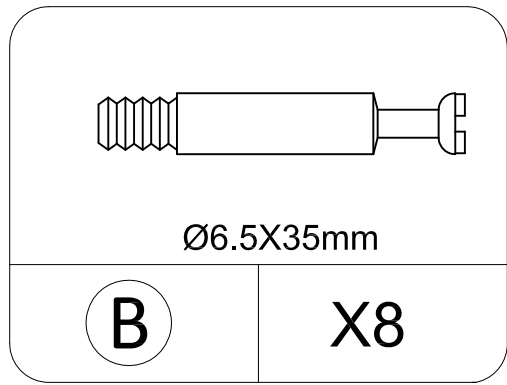
STEP 4



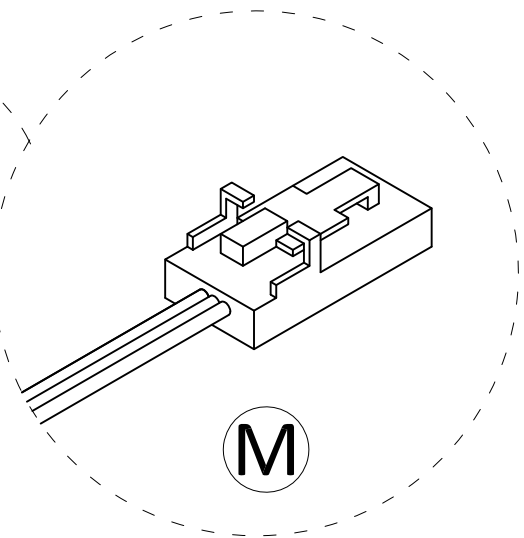
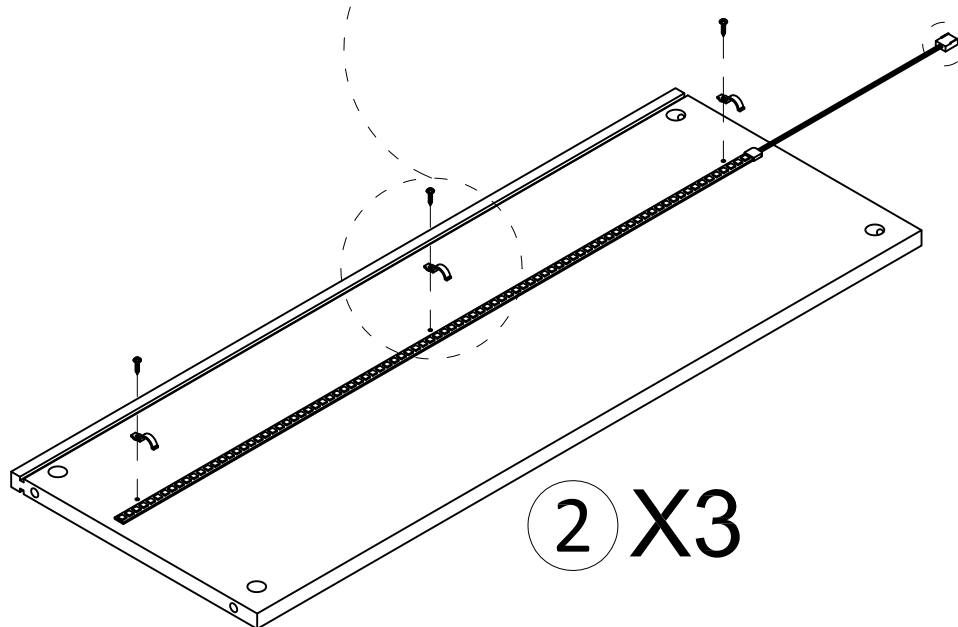
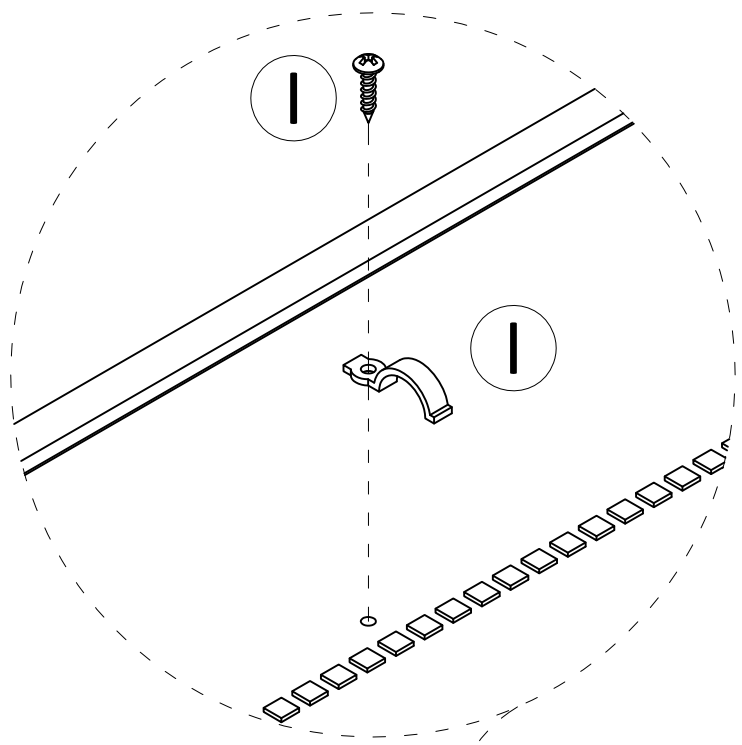
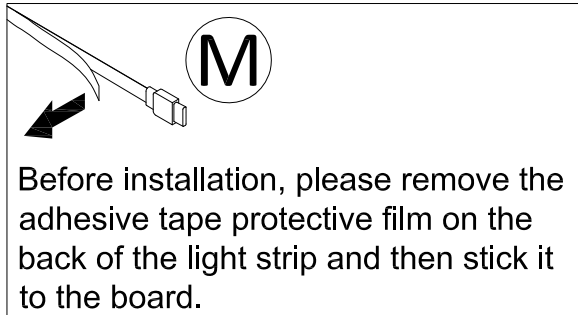
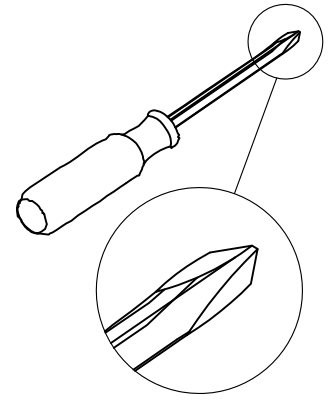
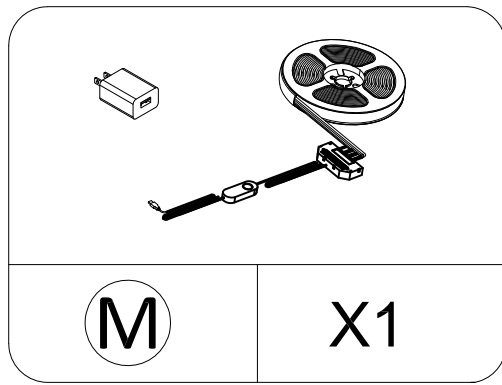
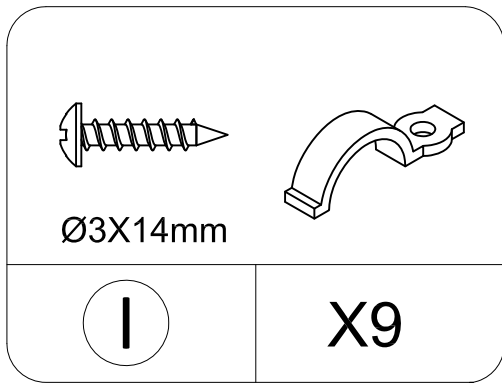
Before installation, remove the protective film from the acrylic panel.



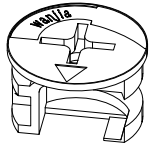
STEP 5

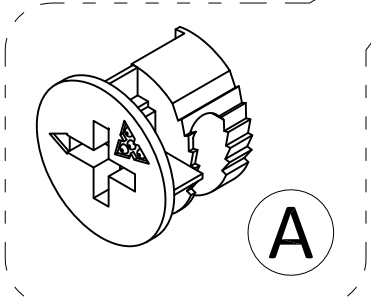
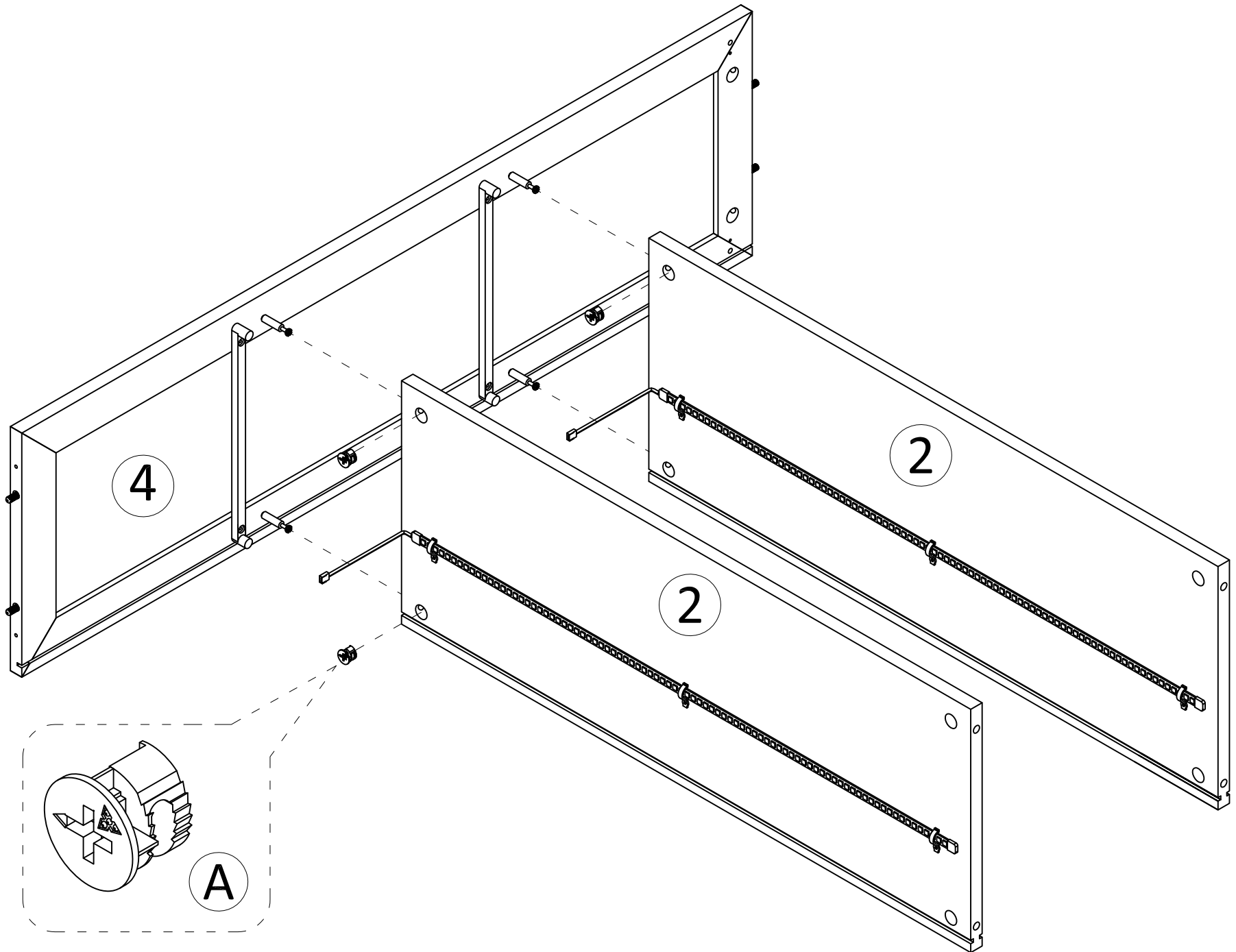
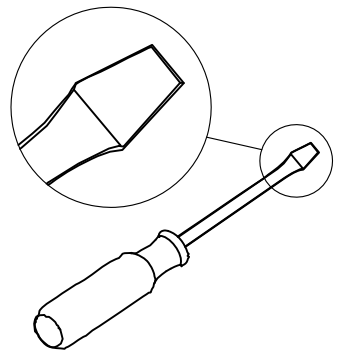


STEP 6

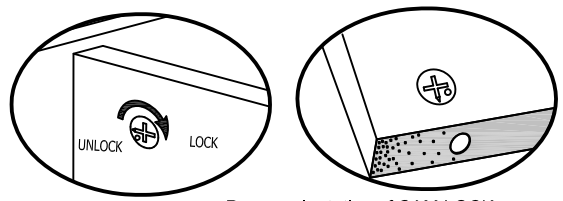


STEP 7

 Ø15X9.5mm	
A	X4

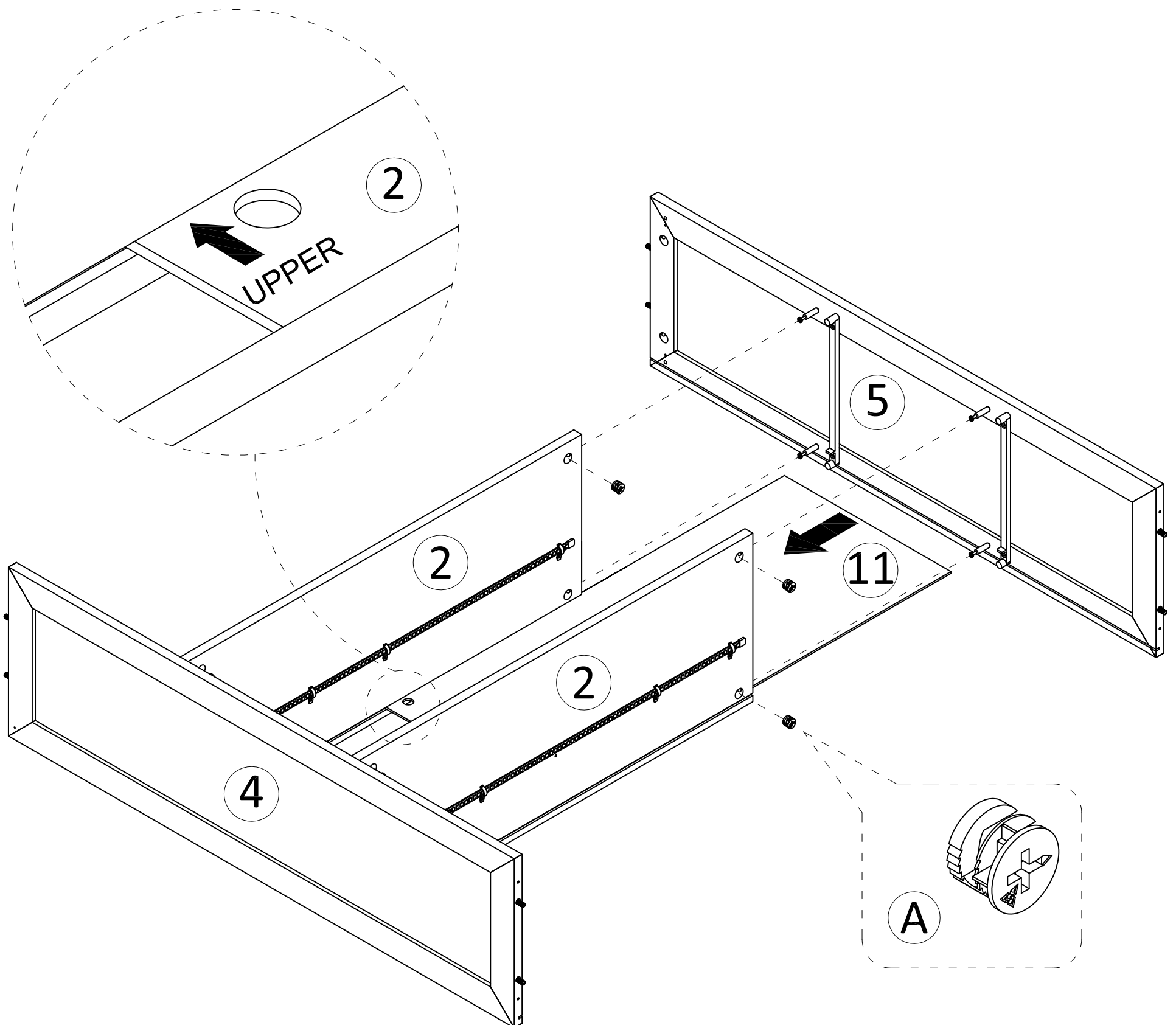
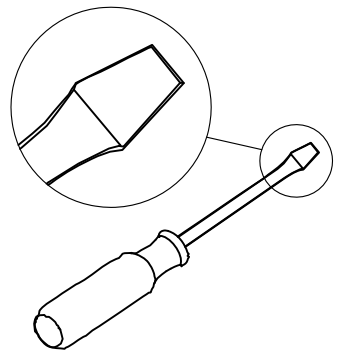
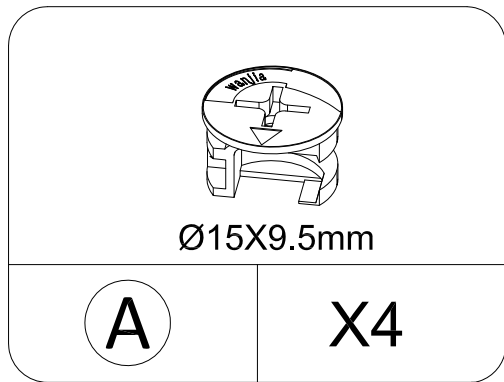


Insert the cam bolt into the hole first, then insert the cam lock and lock it.

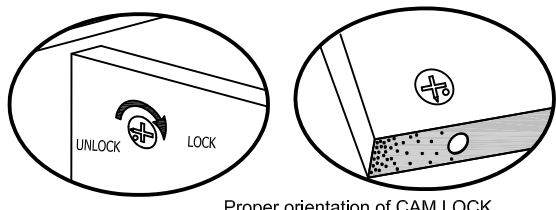


Proper orientation of CAM LOCK

STEP 8

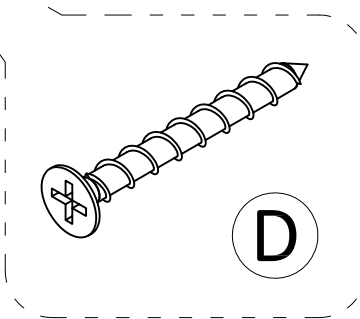
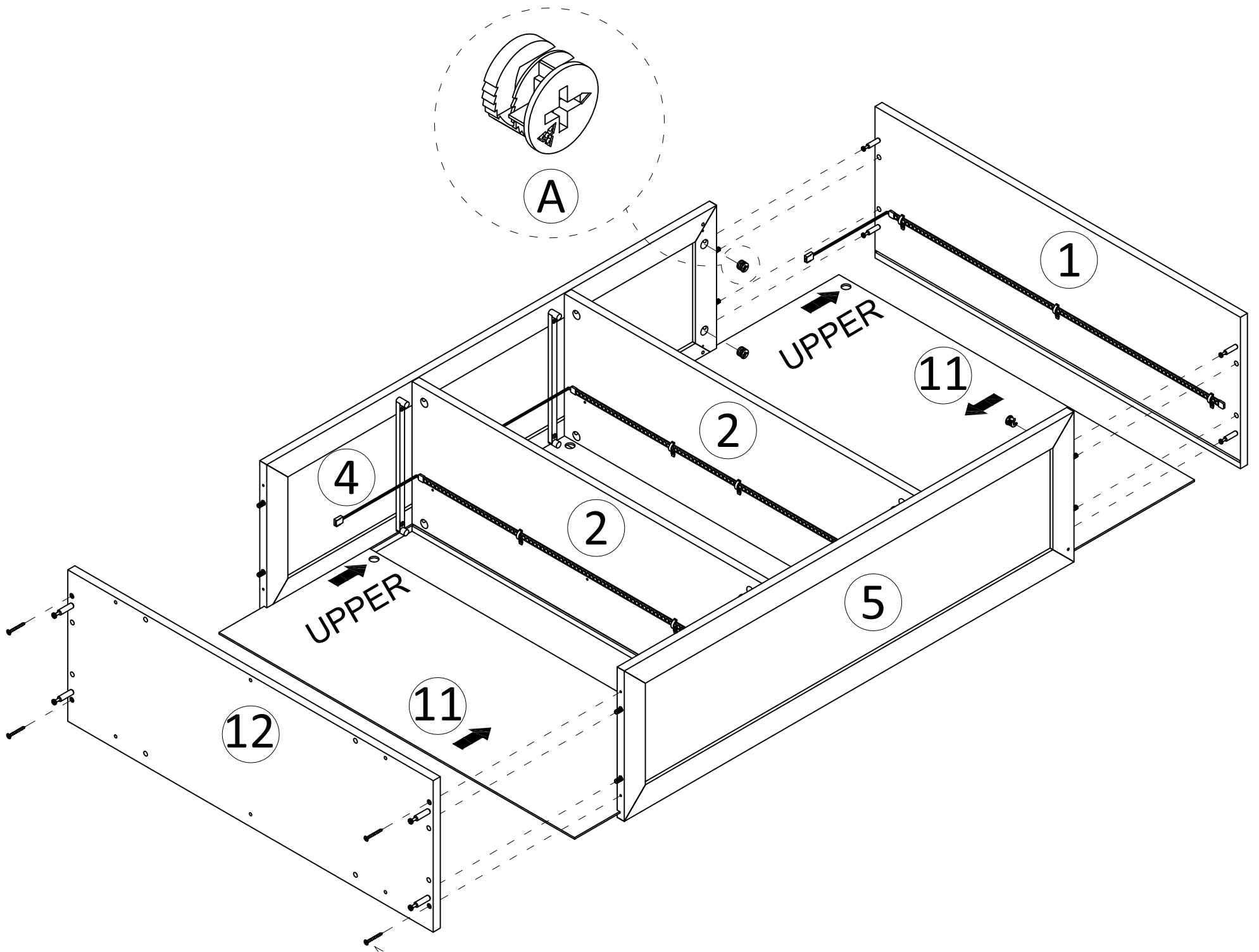
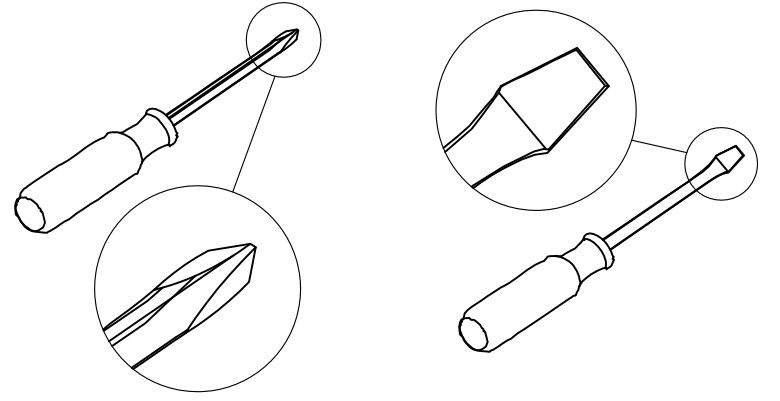
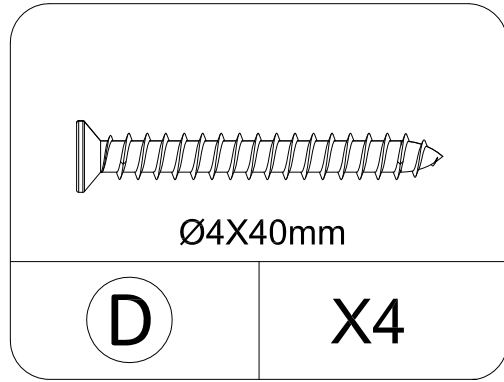
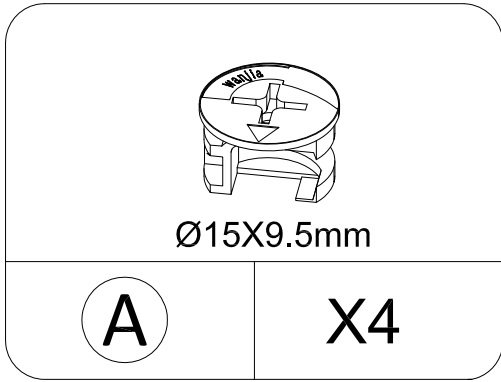


Insert the cam bolt into the hole first, then insert the cam lock and lock it.

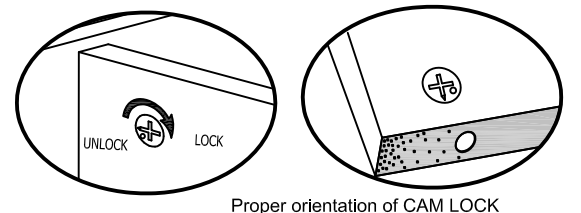


Proper orientation of CAM LOCK

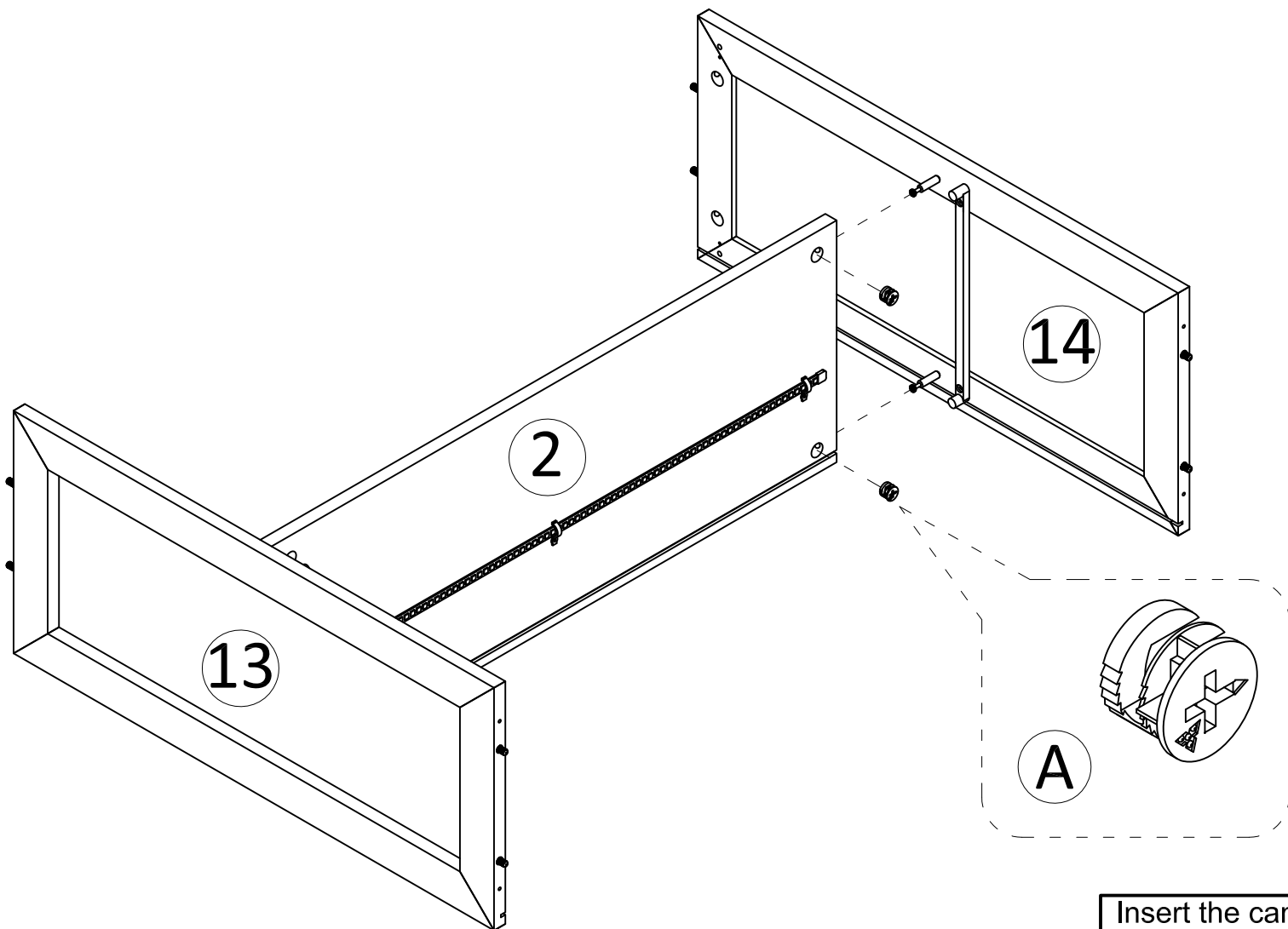
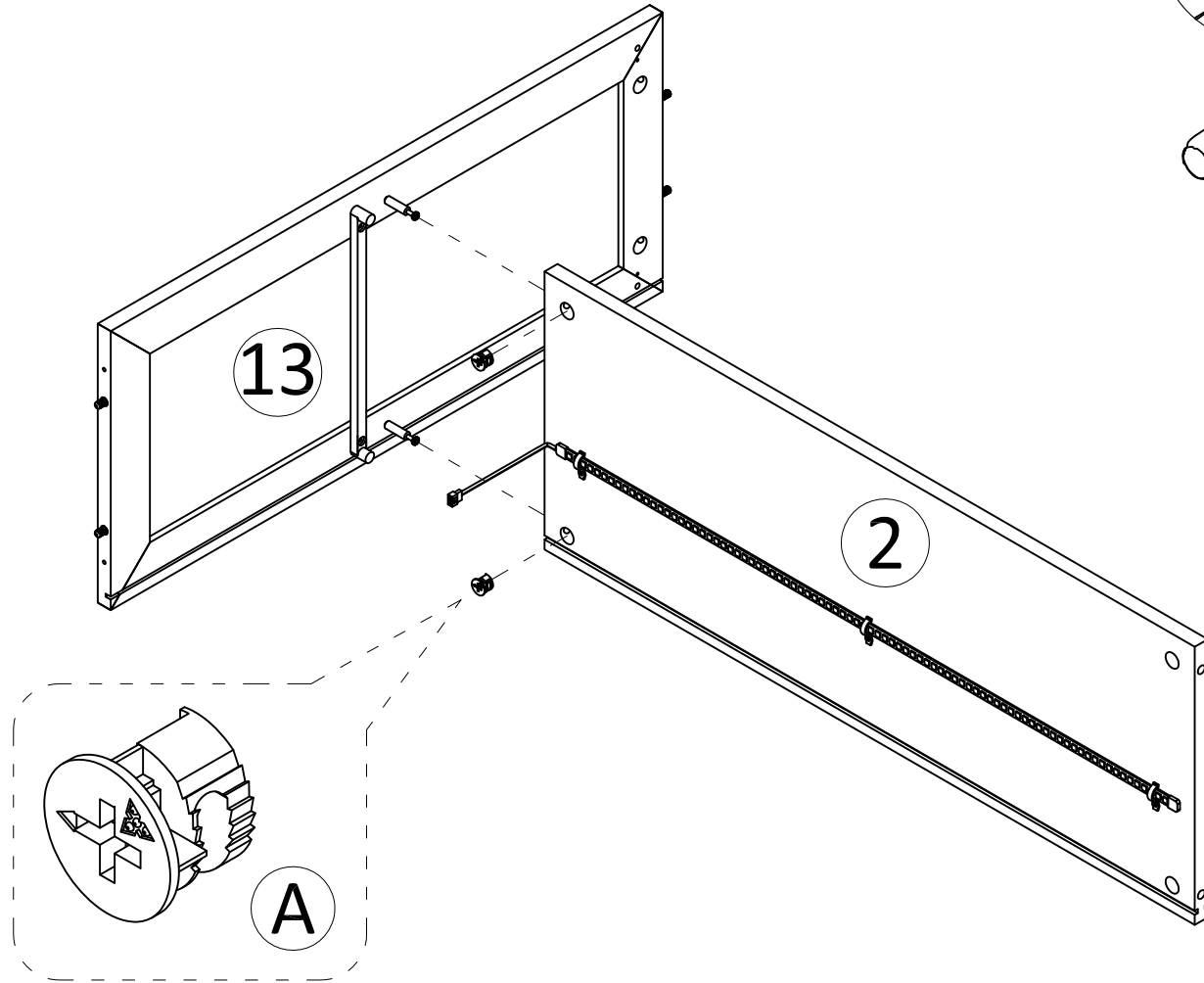
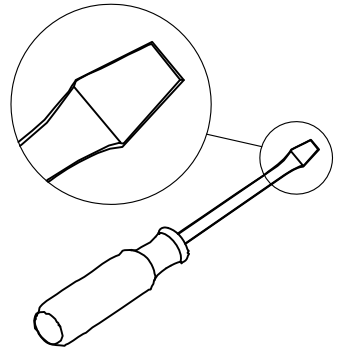
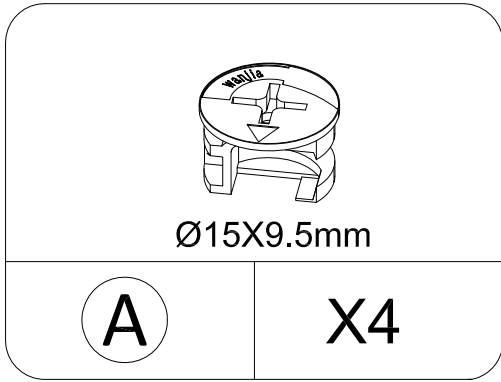
STEP 9



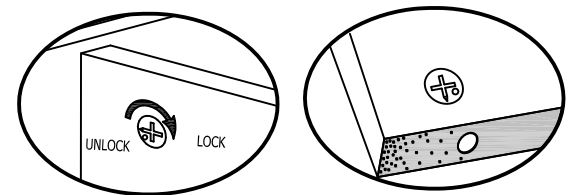
Insert the cam bolt into the hole first, then insert the cam lock and lock it.



STEP 10

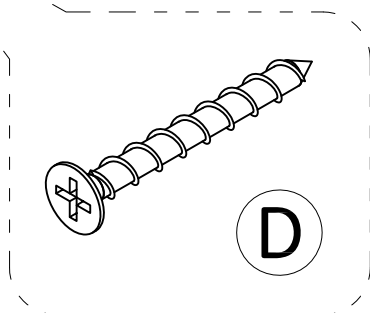
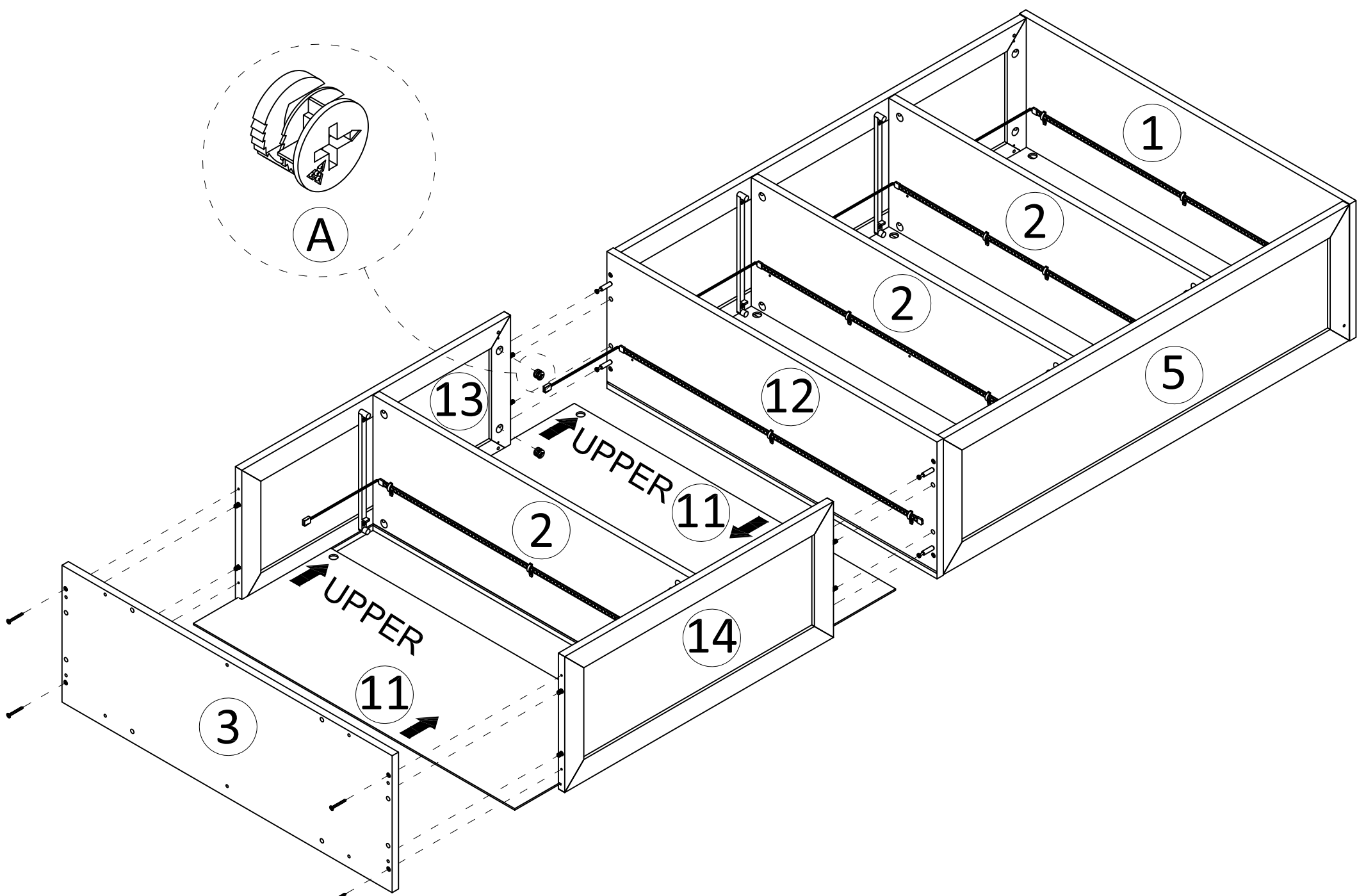
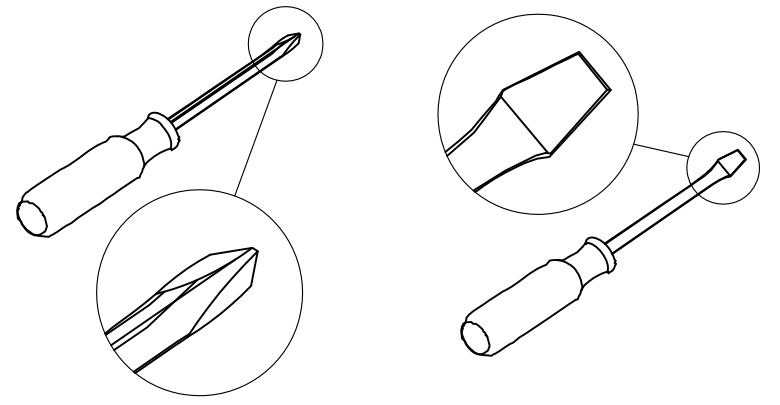
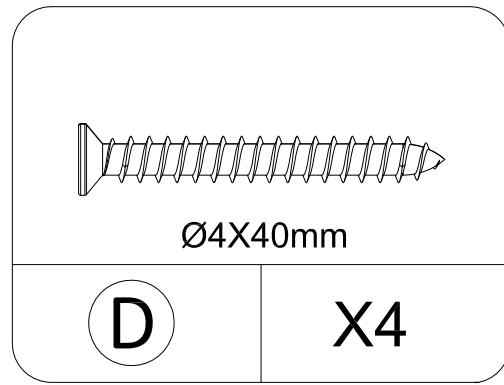
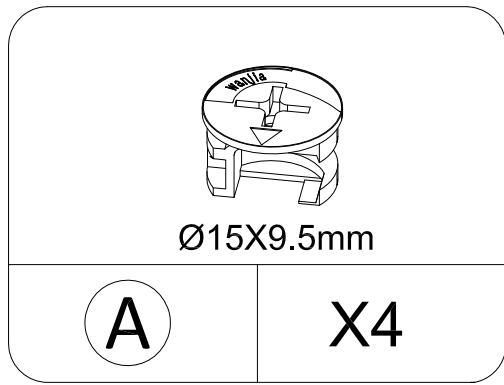


Insert the cam bolt into the hole first, then insert the cam lock and lock it.

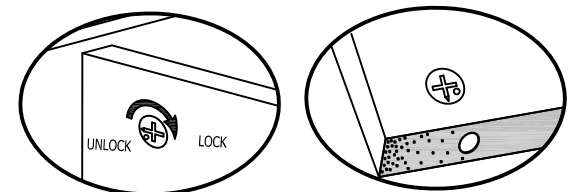


Proper orientation of CAM LOCK

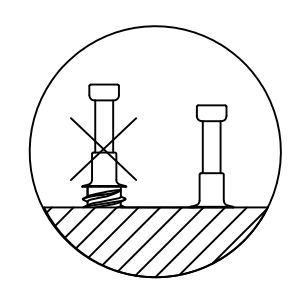
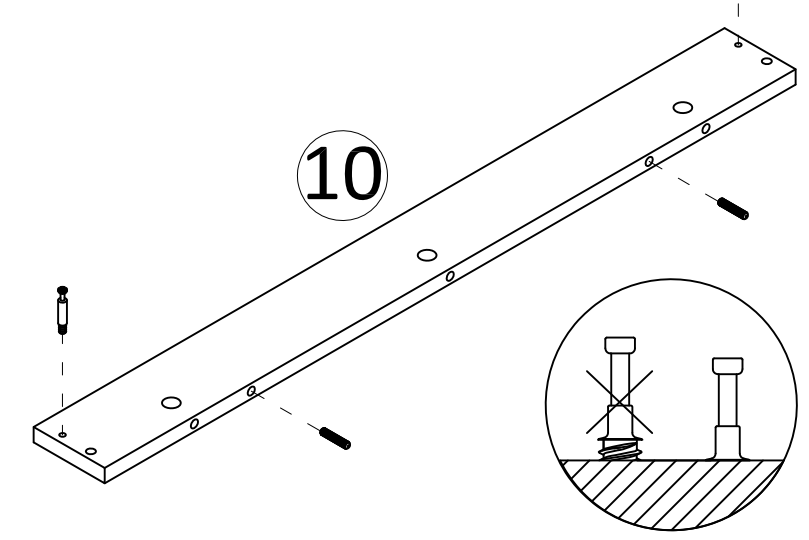
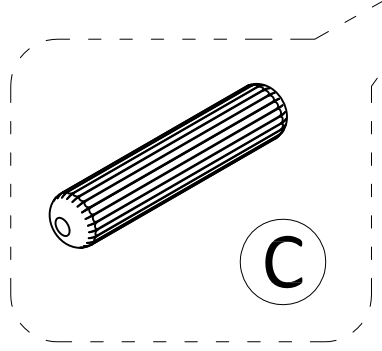
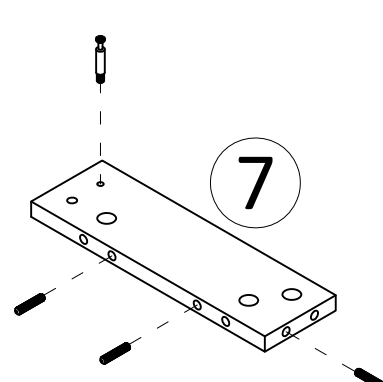
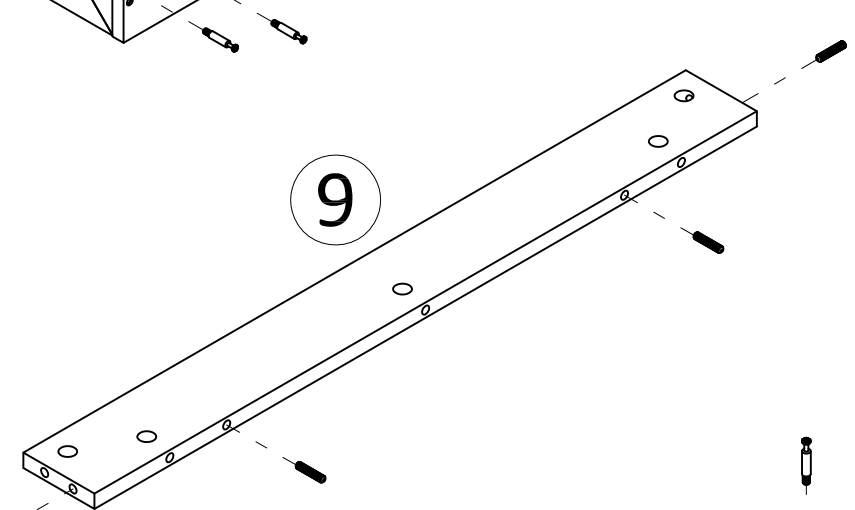
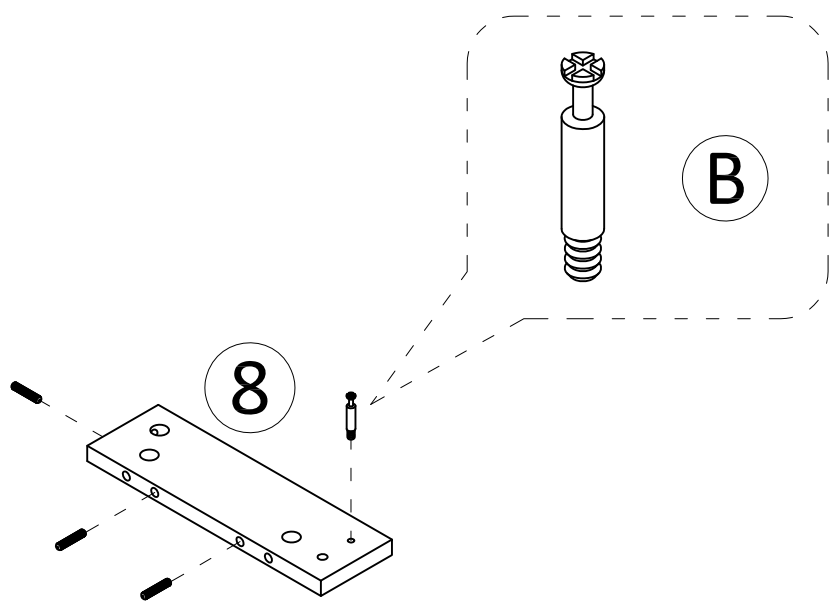
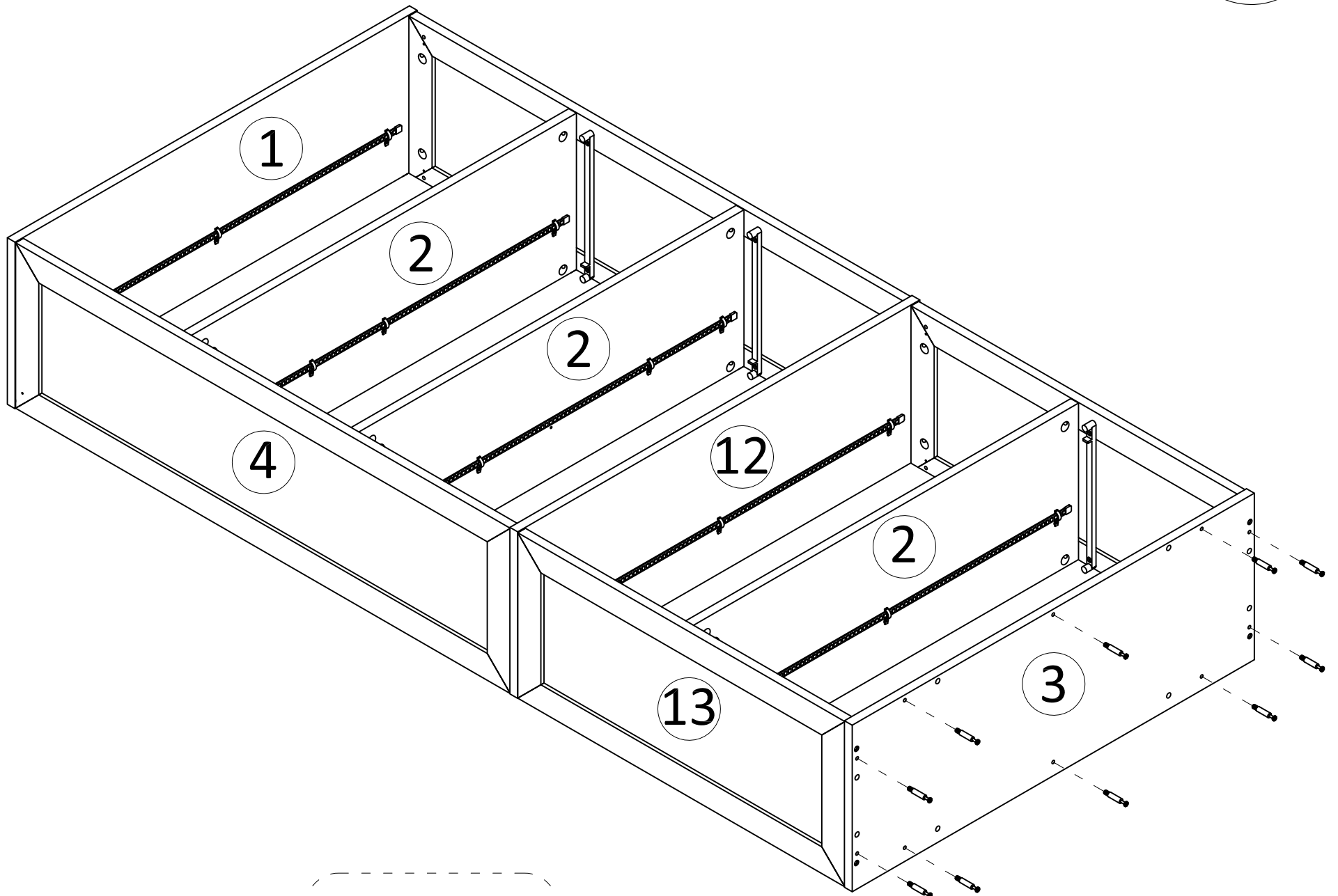
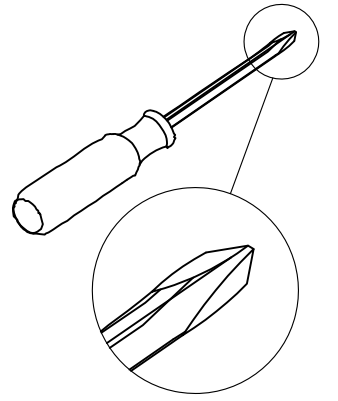
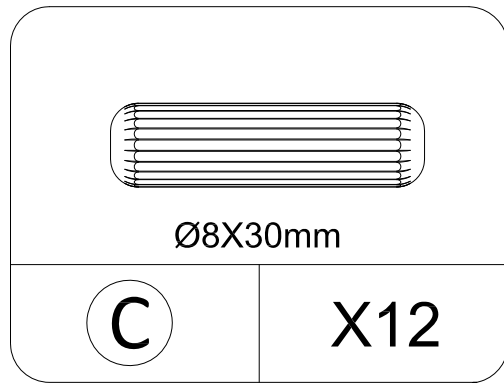
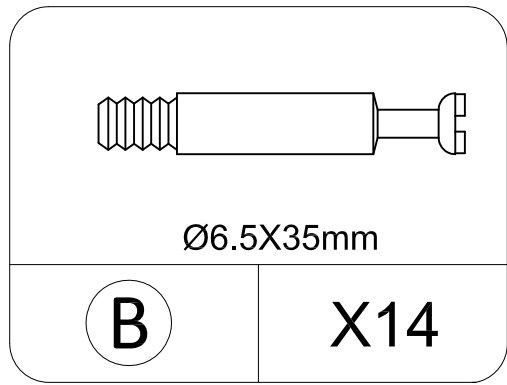
STEP 11



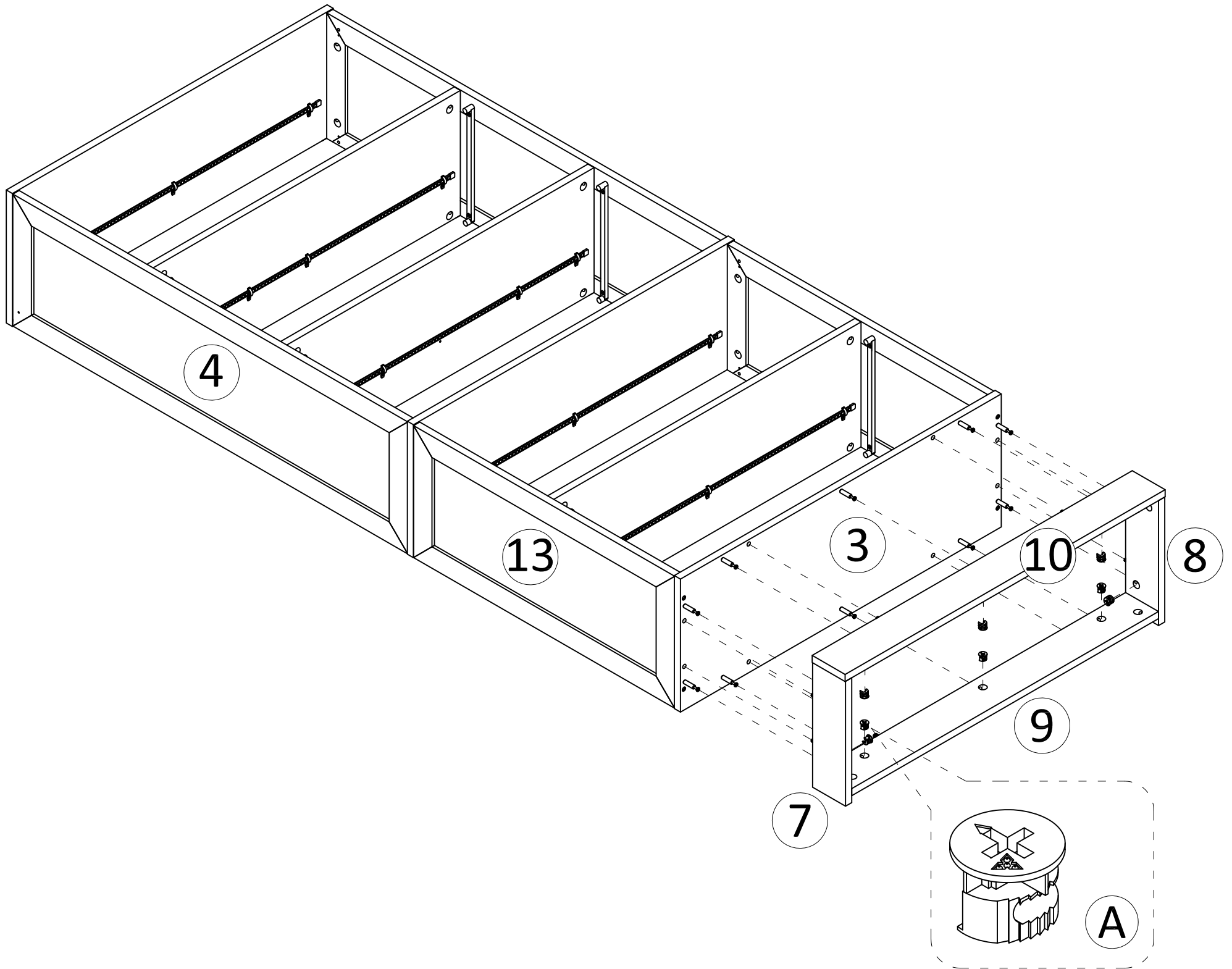
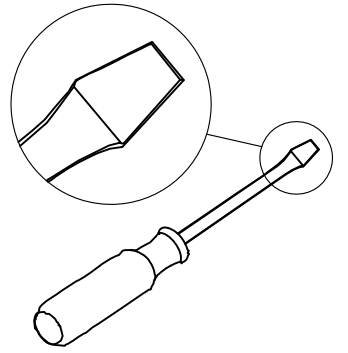
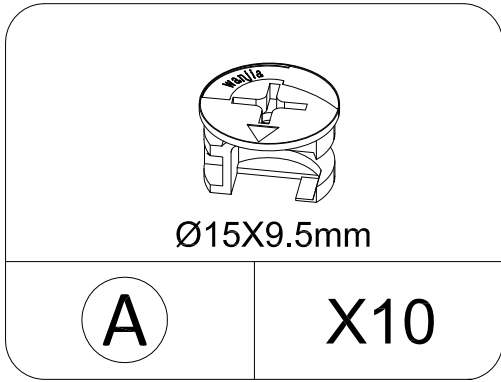
Insert the cam bolt into the hole first, then insert the cam lock and lock it.



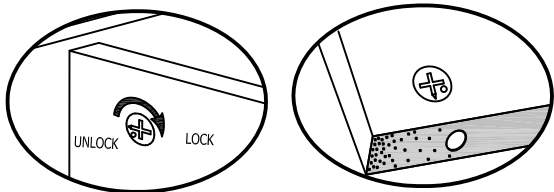
STEP12



STEP 13

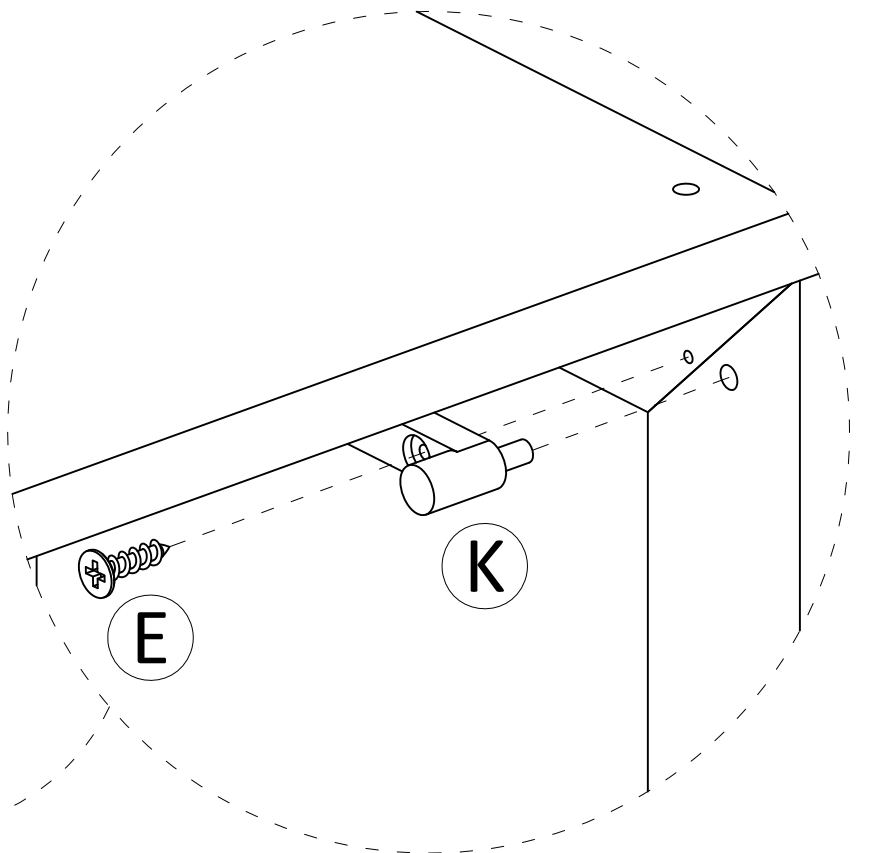
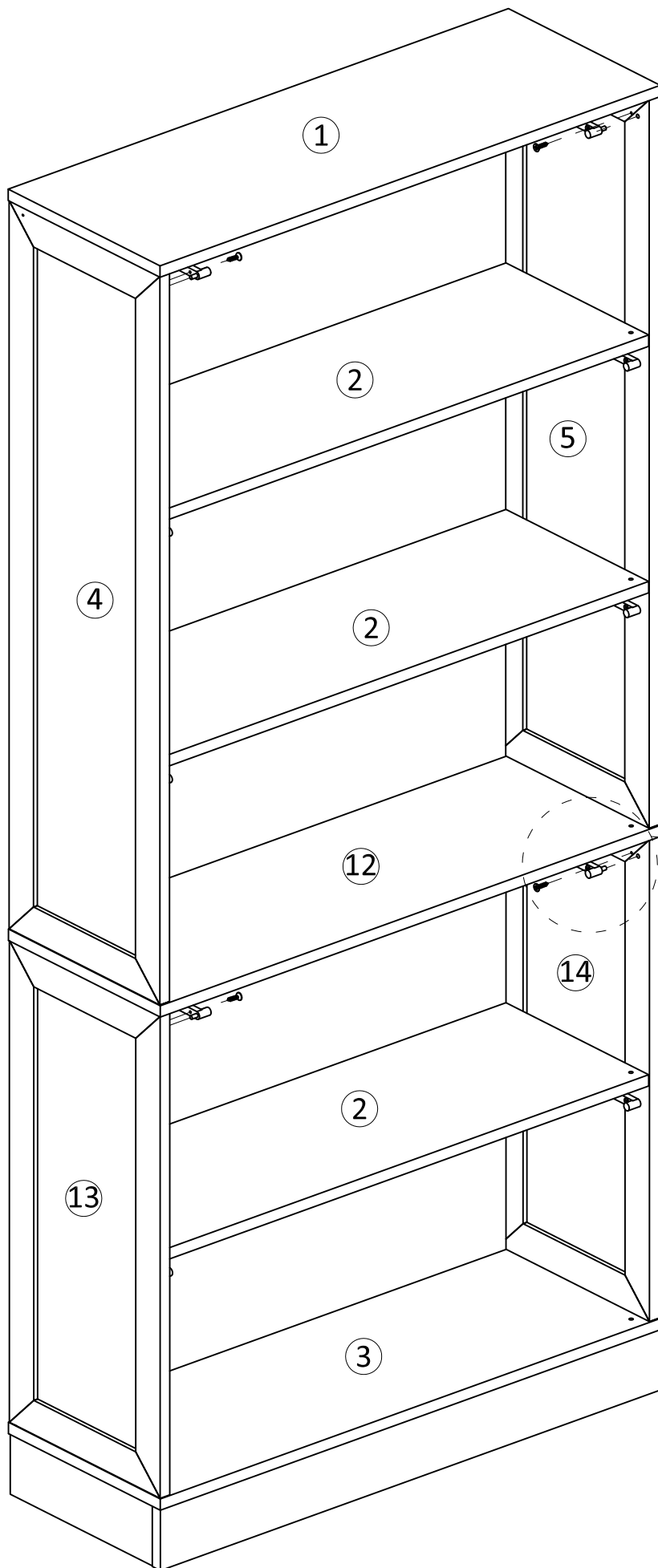
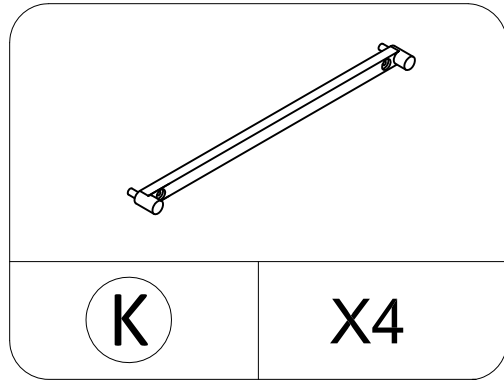
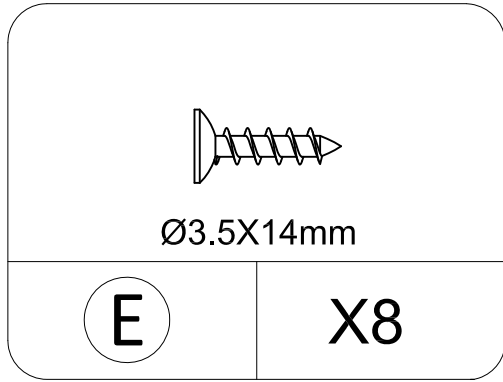


Insert the cam bolt into the hole first, then insert the cam lock and lock it.

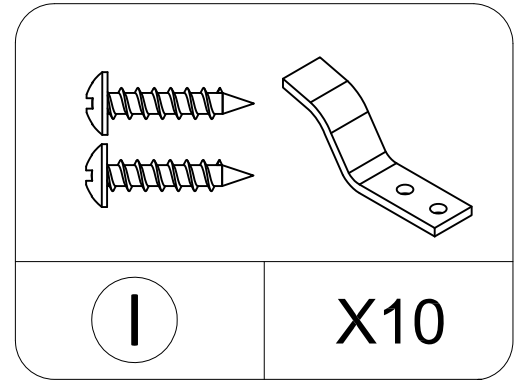
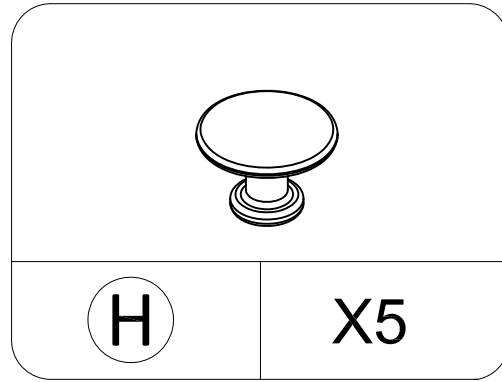
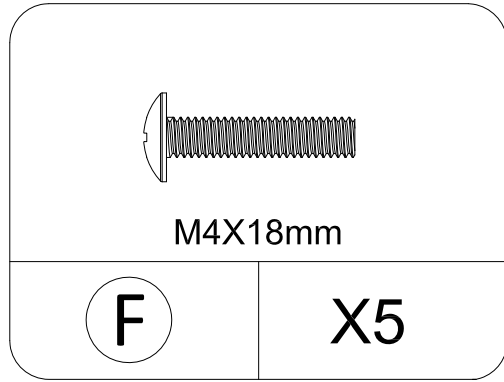
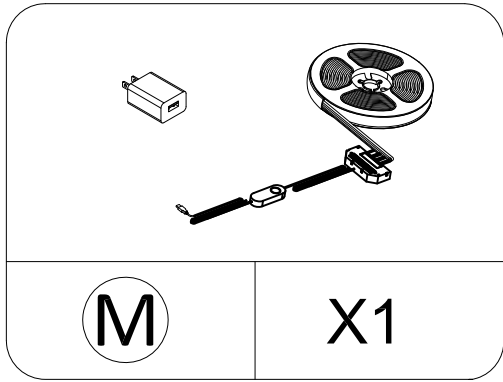


Proper orientation of CAM LOCK

STEP14

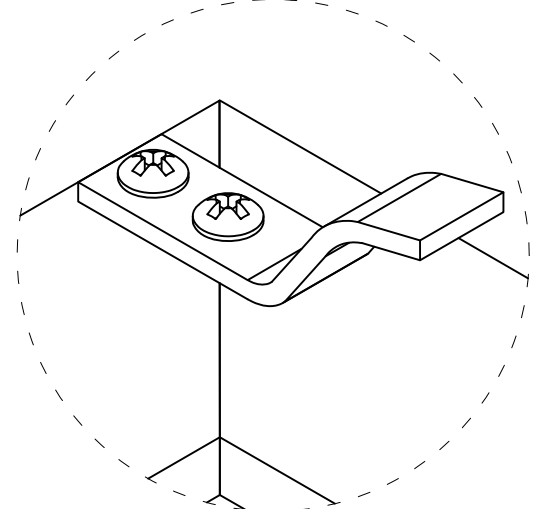
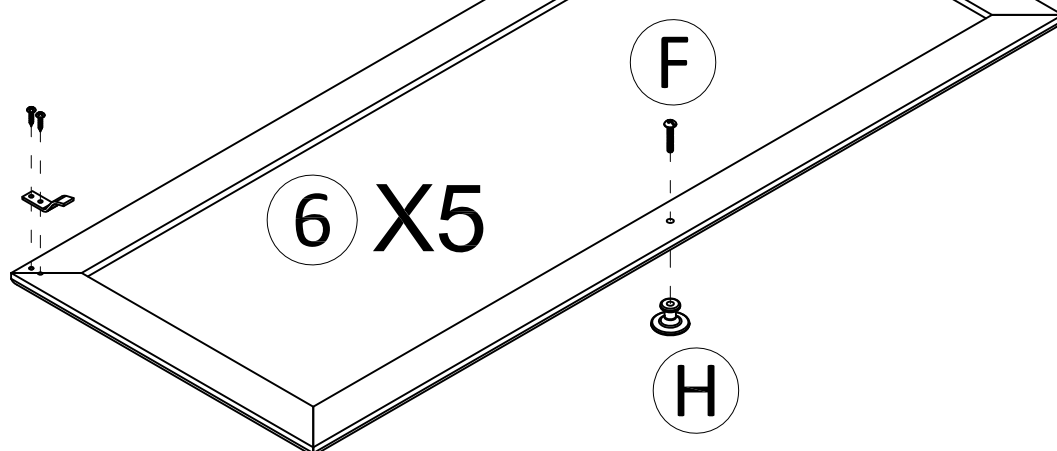
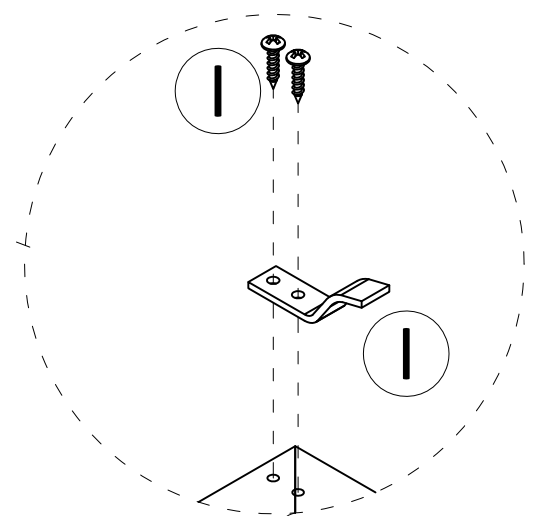
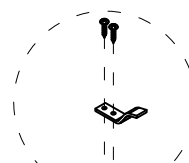
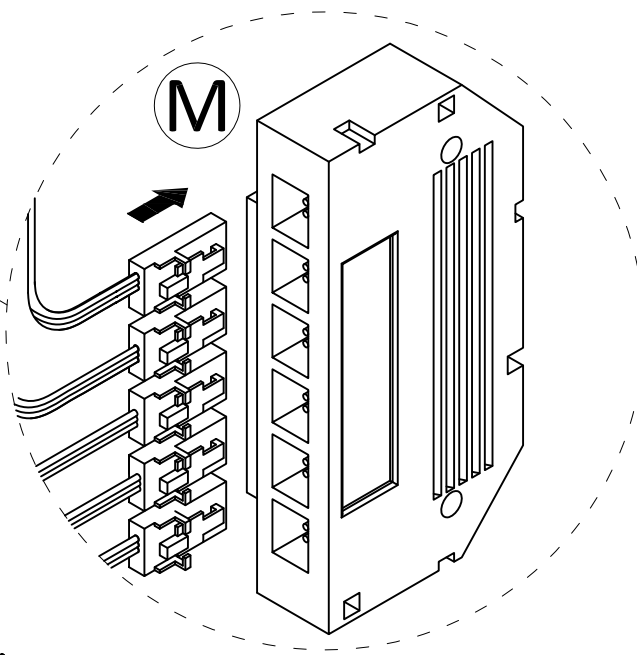
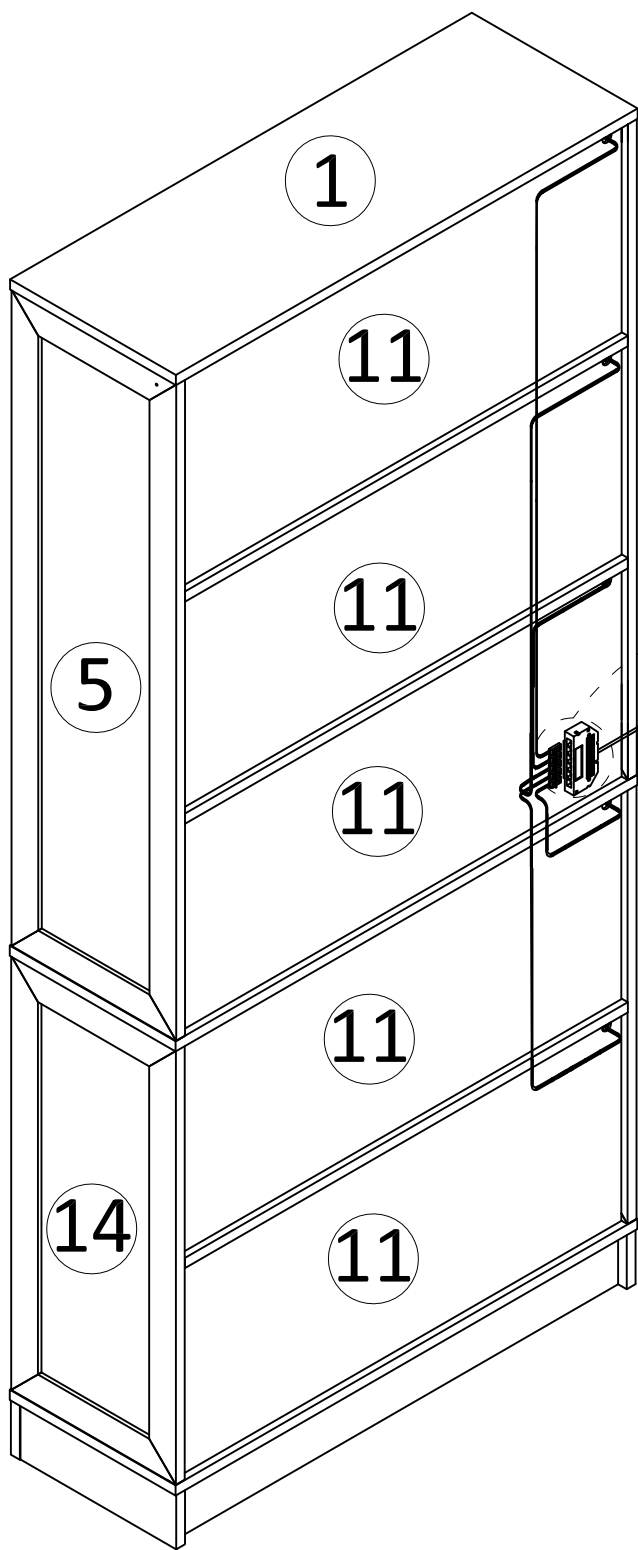


STEP15



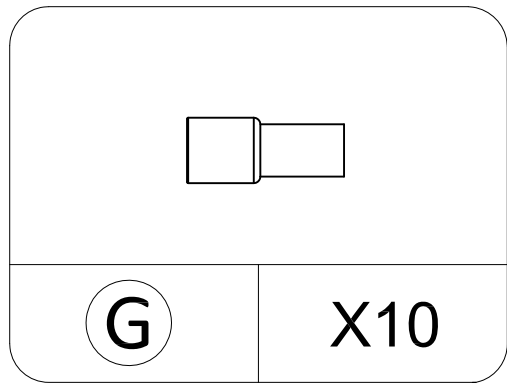
M
Before installation, please remove the adhesive tape protective film on the back of the light strip controller and then stick it to the board.

H
Scan the QR code on the button switch or this manual to download the app and control the lighting effects..

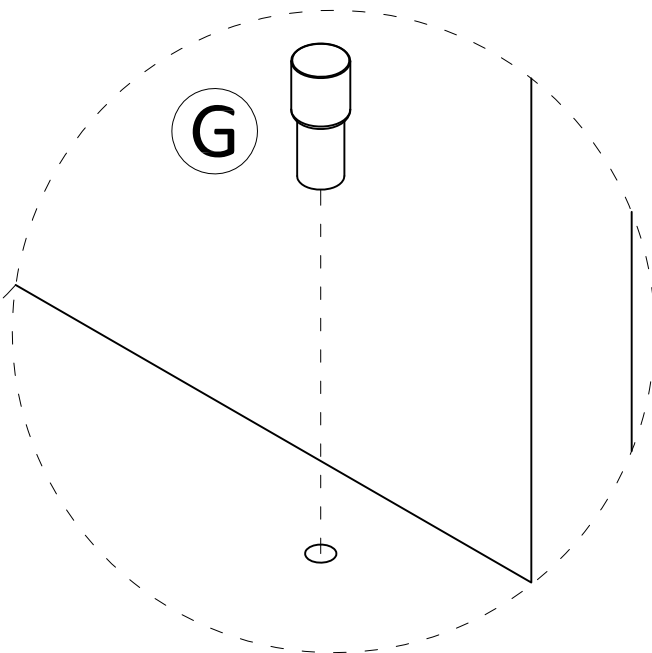
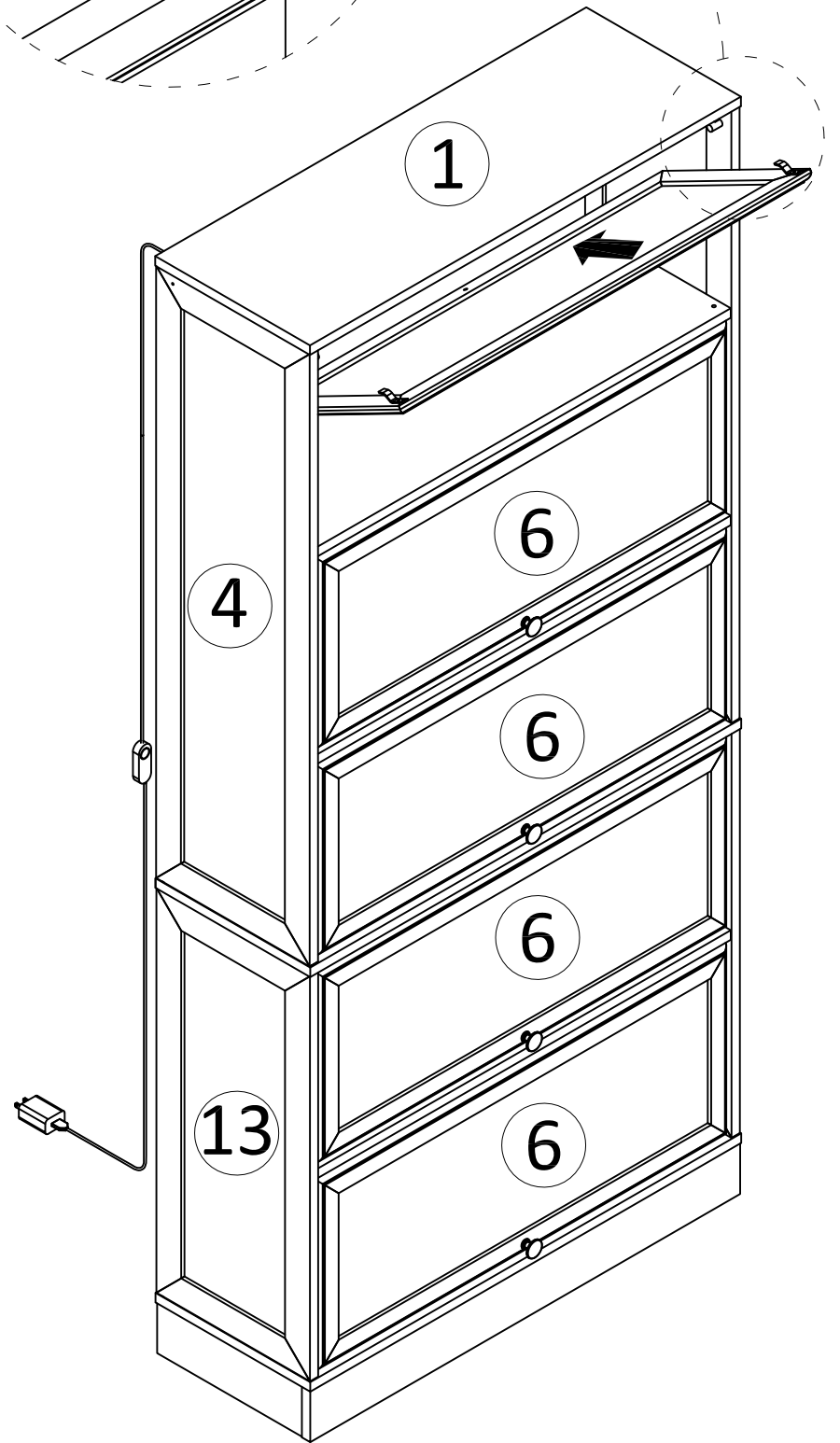
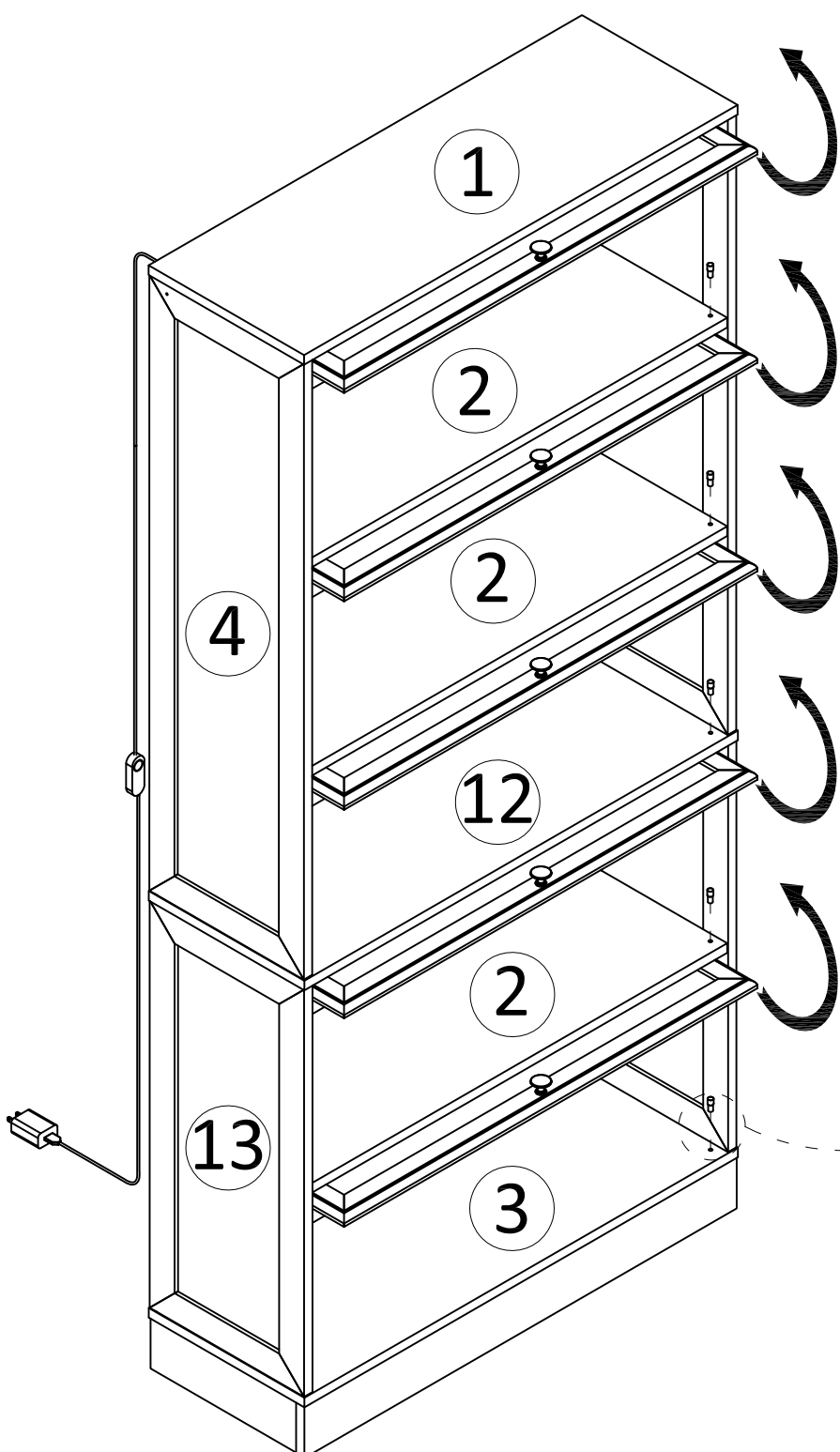
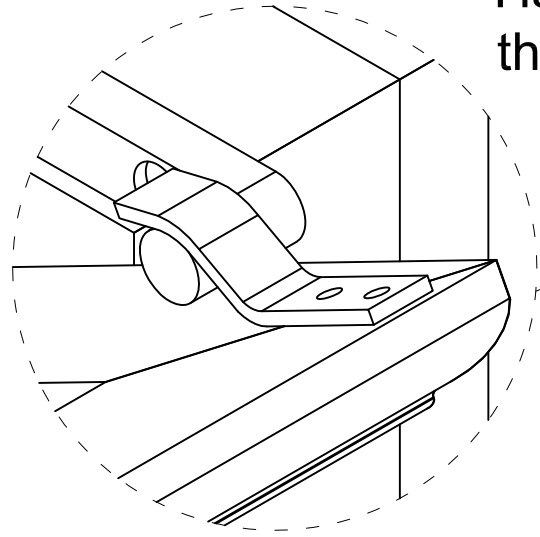


Before installation, remove the protective film from the acrylic panel.

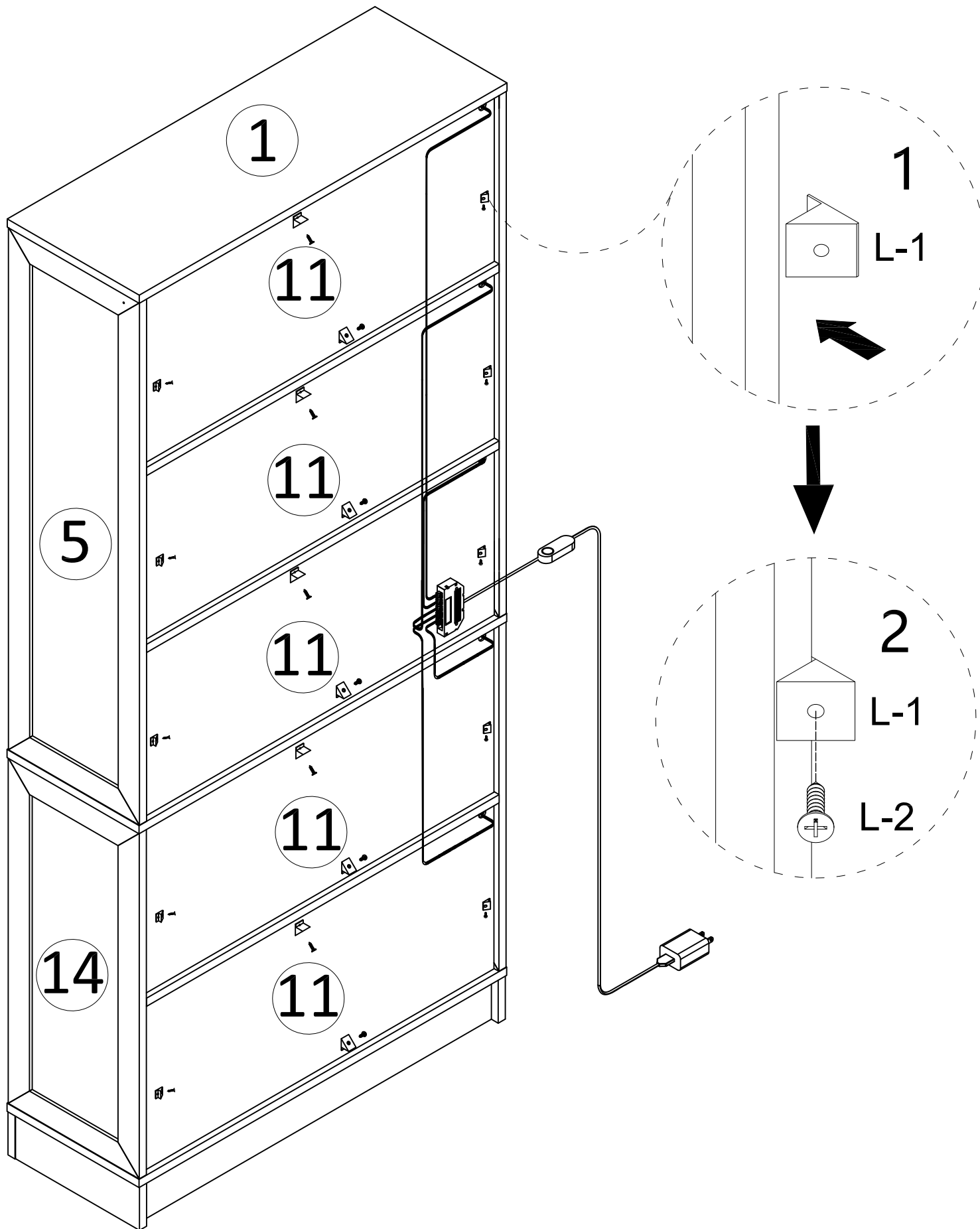
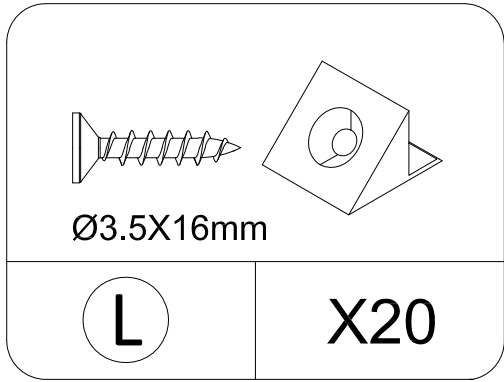
STEP16



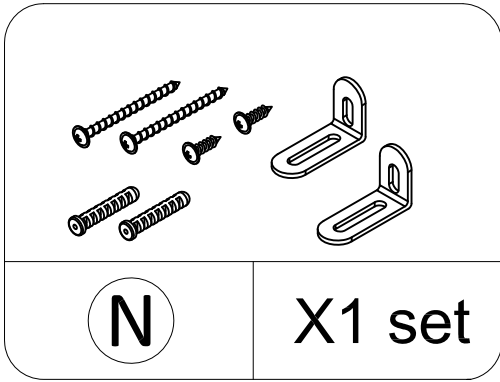
Hang the iron sheet on the slide rail as shown



STEP17



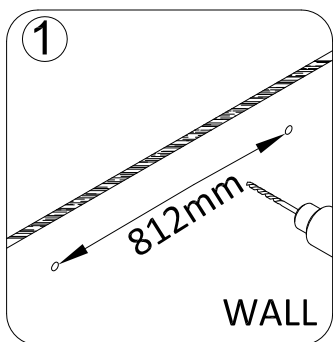
STEP18



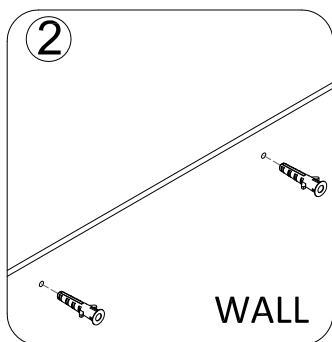
We have included a set of tipping restraint hardware for this unit. You must install this hardware to prevent accidents or injuries that can result from the unit falling. When properly installed, this restraint can provide protection against the unexpected tipping of the unit due to small tremors, bumps or climbing. We strongly recommend mounting this hardware to a wall stud and your unit.

NOTE: The tipping restraint hardware included is for wooden stud wall construction. It must be attached to a wall stud. Depending upon your wall construction different anchor hardware may be required. Please contact your local hardware store for assistance. Young children can be seriously injured by tipping furniture. You must install the tipping restraint hardware with the unit to prevent the unit from tipping, causing any accidents or damage. The tipping restraints are intended only as a deterrent and are not a substitute for proper adult supervision. The tipping restraints are not earthquake restraints. If you wish to add the extra security of earthquake restraints, they must be purchased and installed separately.

Install the tipping restraint hardware



1. drill two Ø6 holes on the wall



2. put two anchors in the holes

