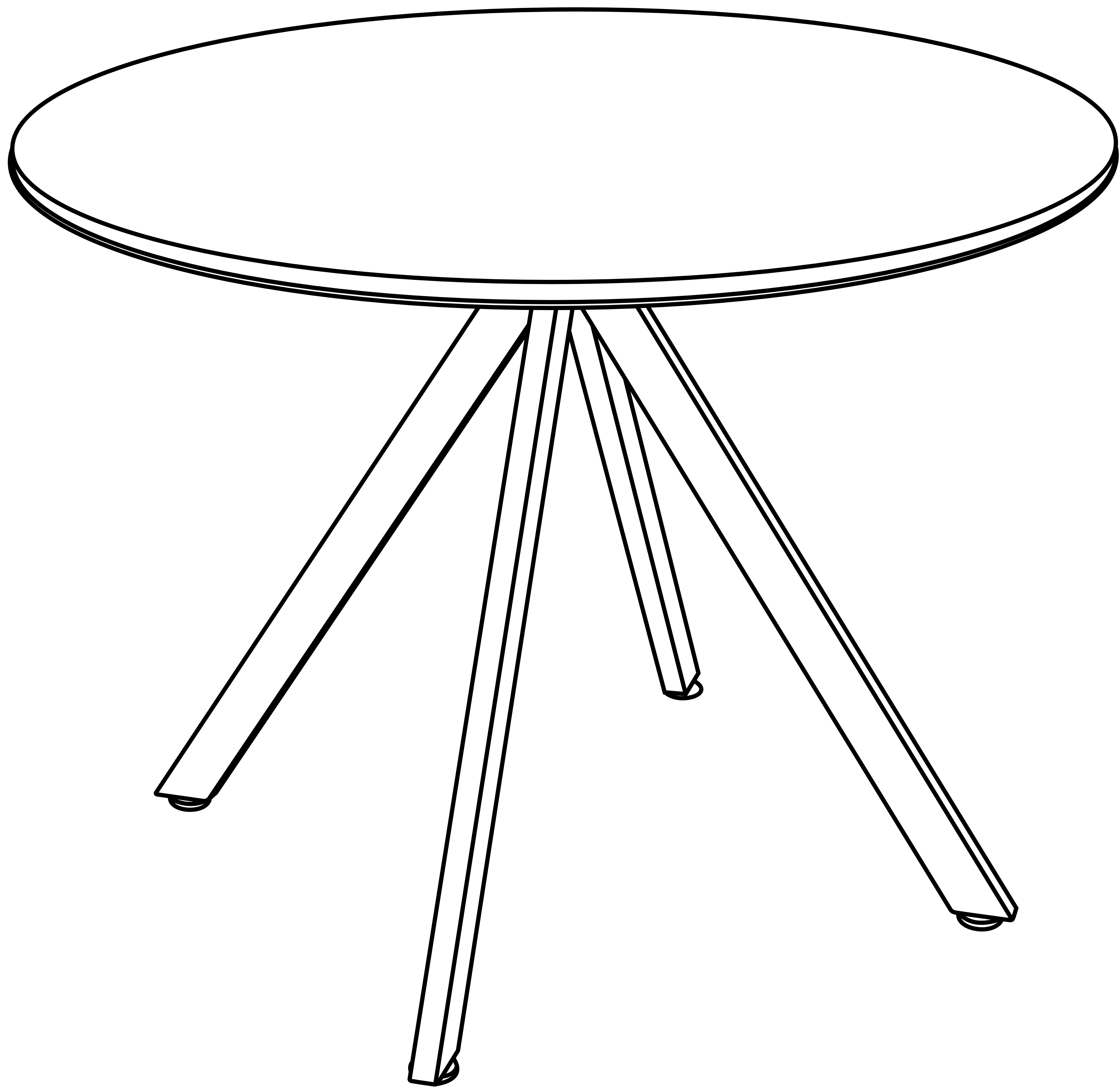


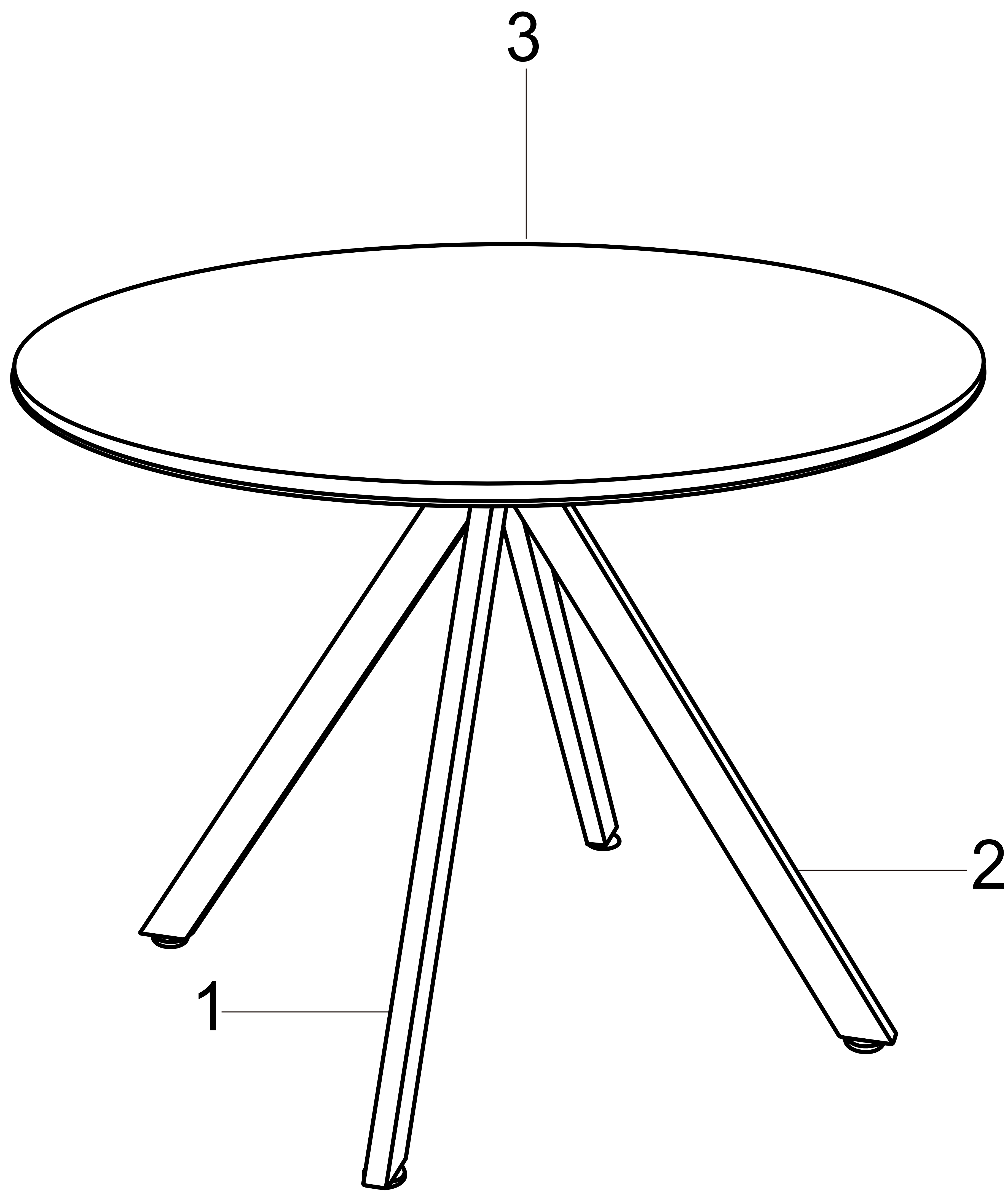
Assembly Manual

Dining Chair



Please read this manual carefully before any operation and keep it properly for future use.

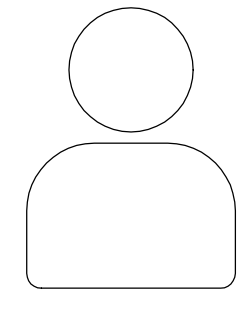
Exploded View



Components List

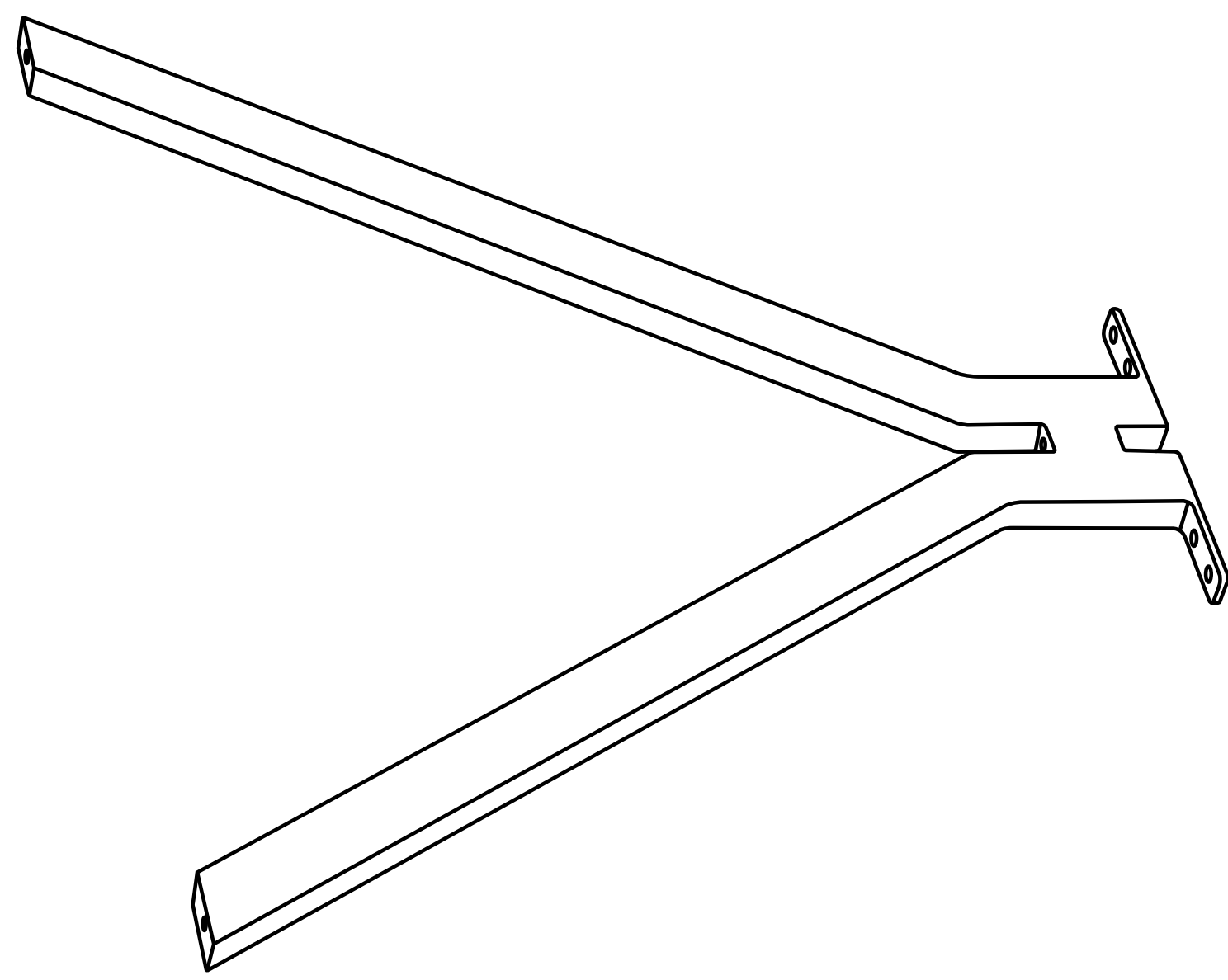
15 min

Assembly Time



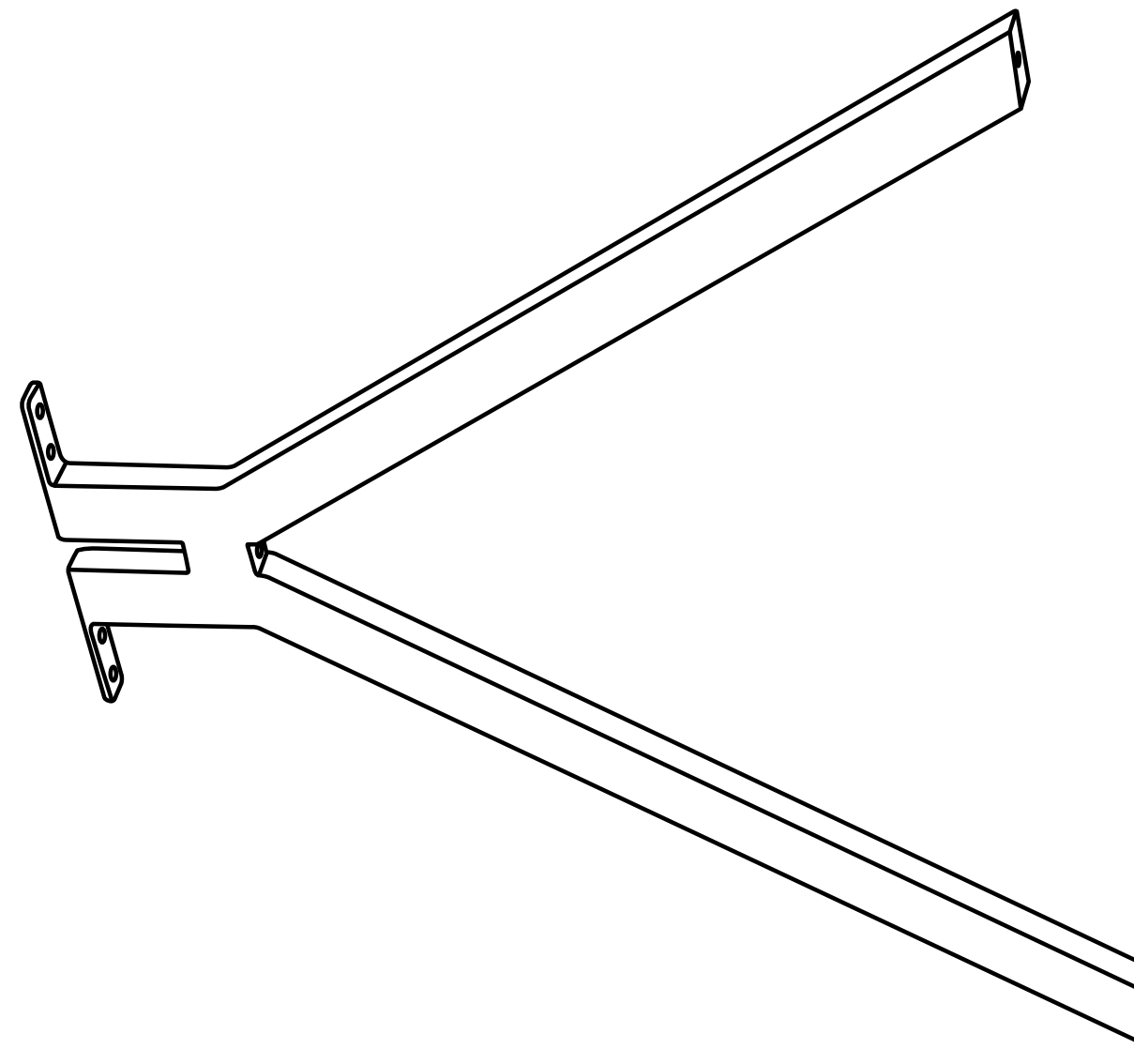
One People

Note: The number after "+" sign indicates the extra piece(s).



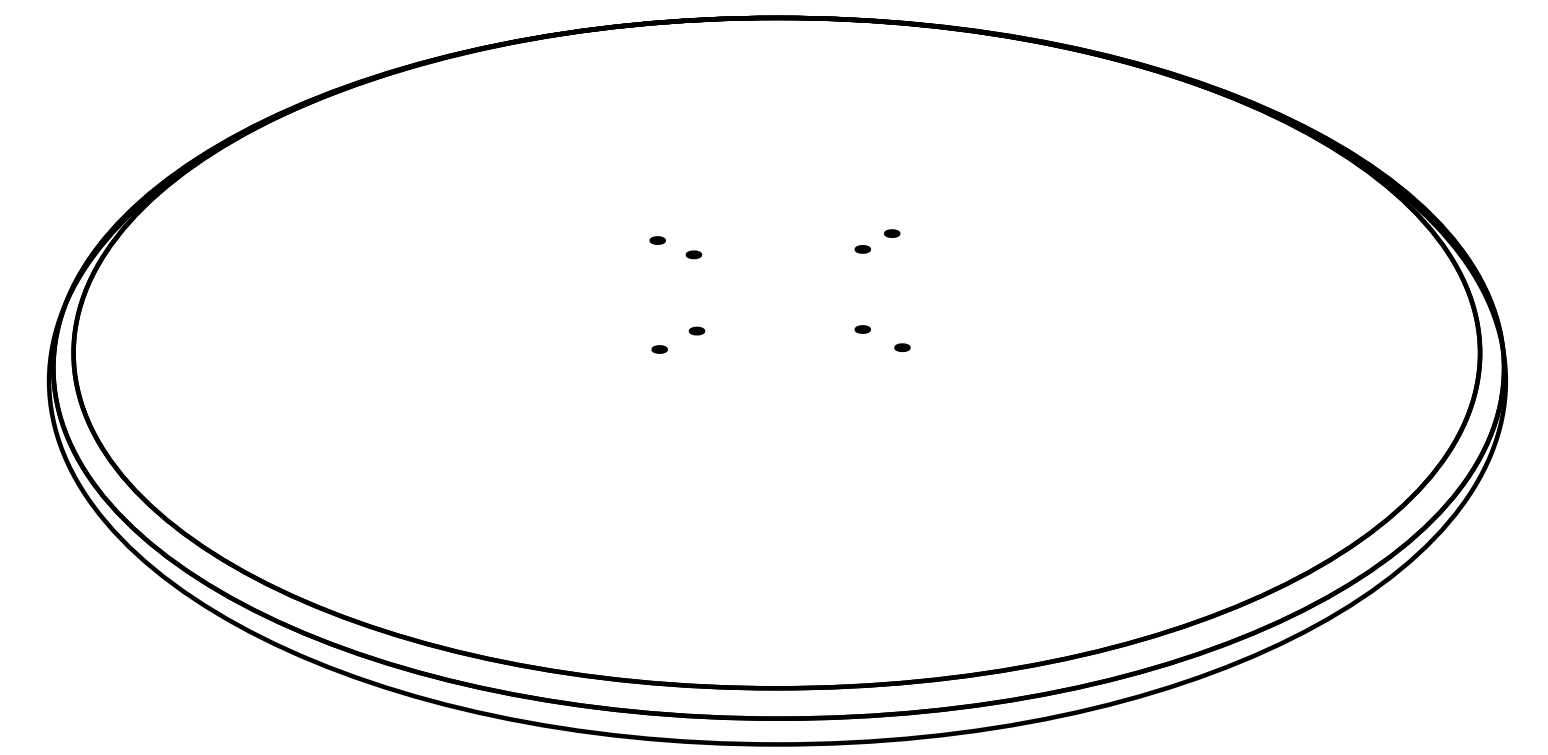
1

Left leg*1



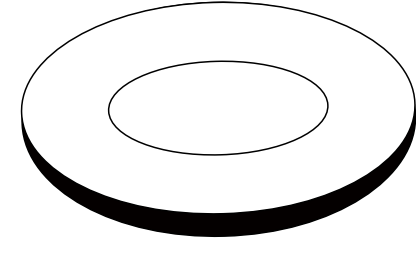
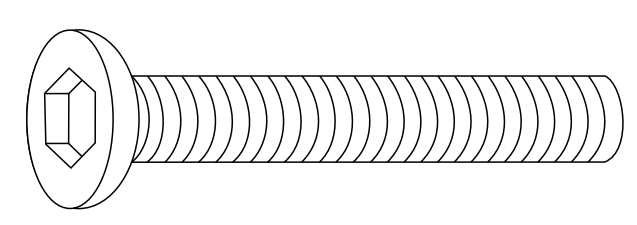

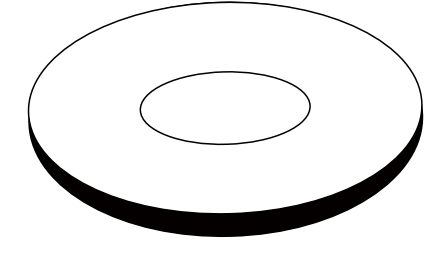
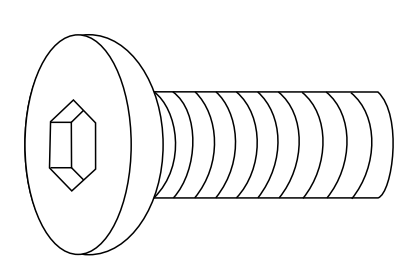
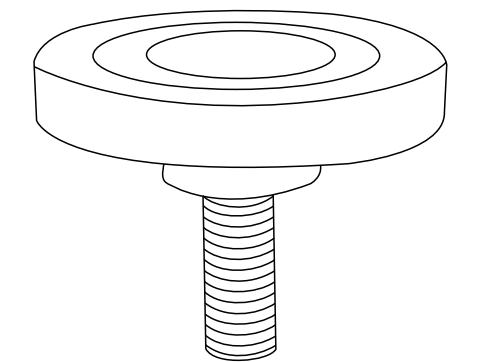
2

Right leg*1



3

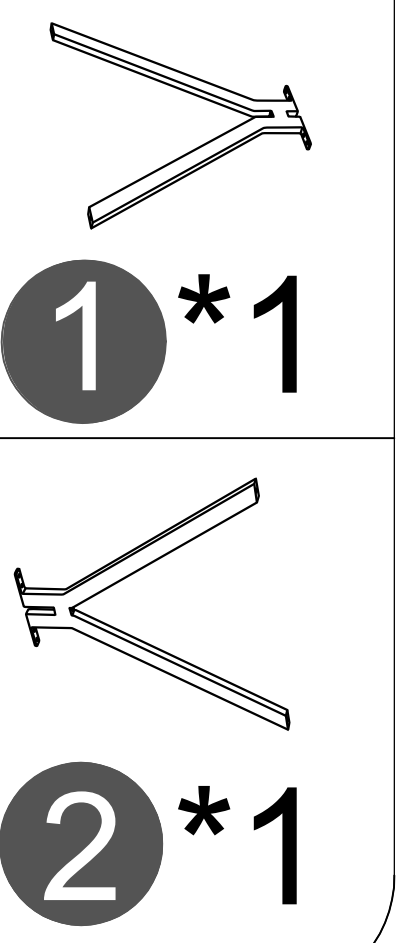
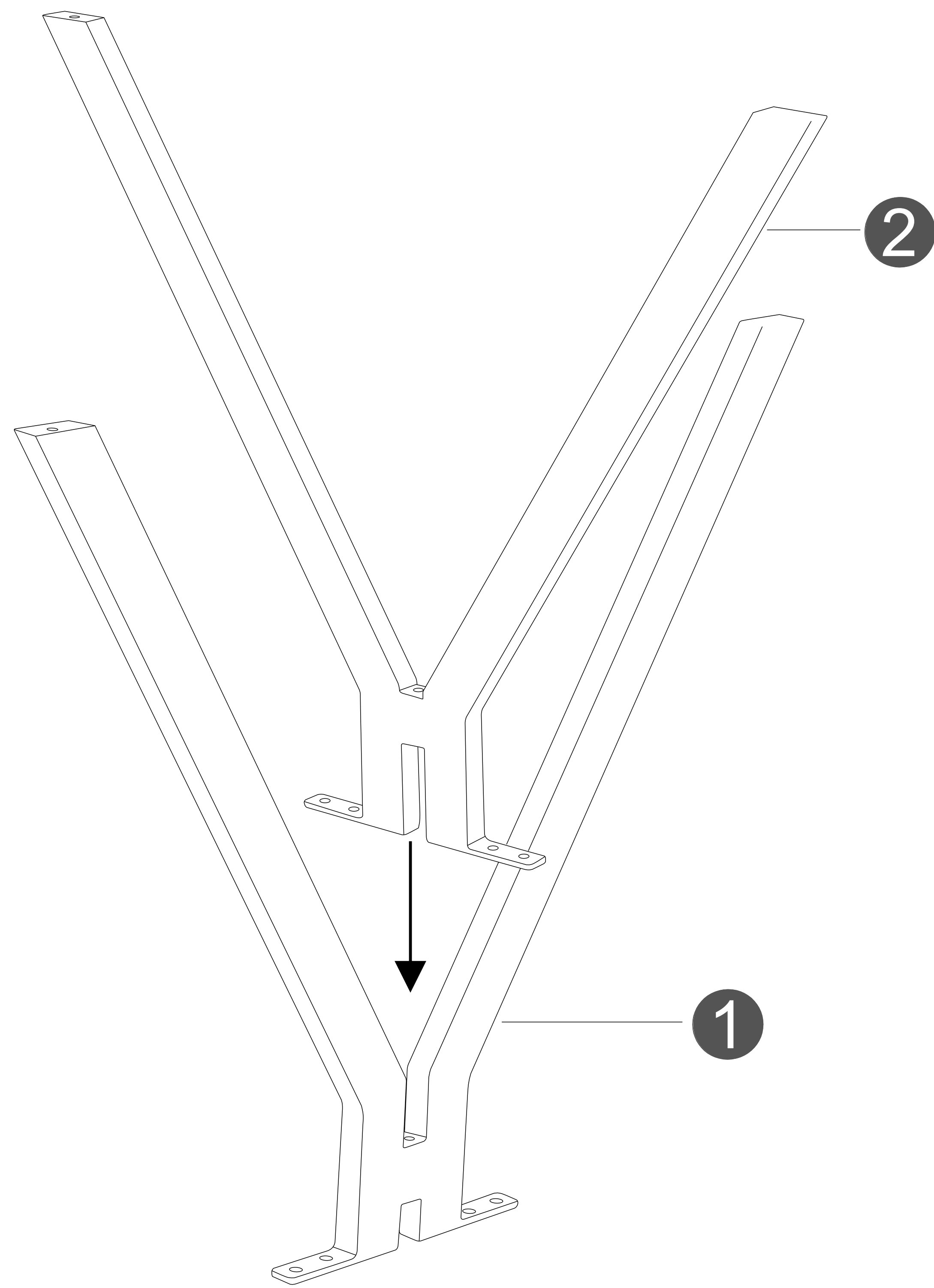
Desktop*1

A			B			C			D		
											
Washer	M8x16x1.5mm	1+1	Bolt	M8x70mm	1+1	Allen wrench	#5	1	Washer	M6x16x1.5mm	8+1
E			F								
											
Bolt	M6x18mm	8+1	Adjustable leg pad		4+1						

Assembly Instruction

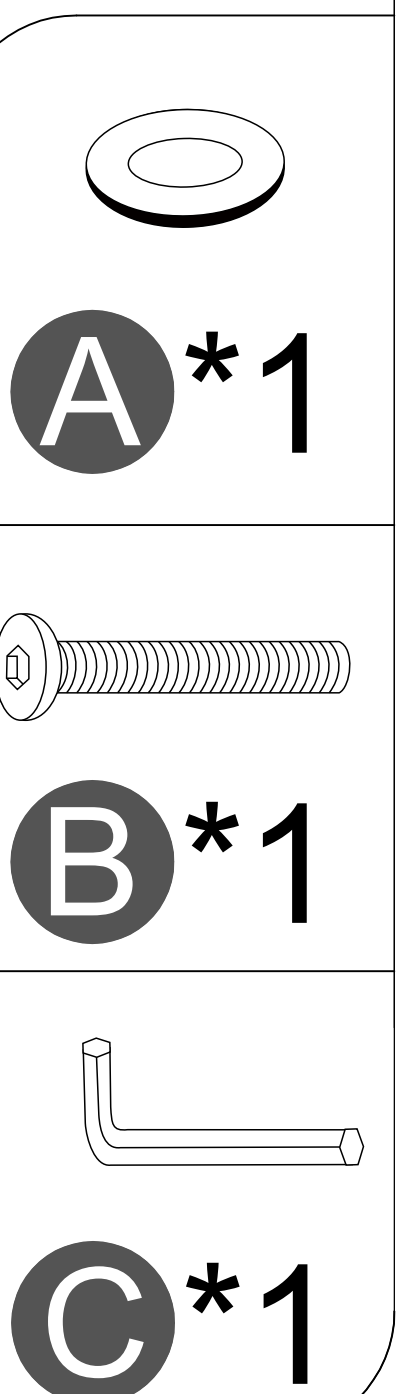
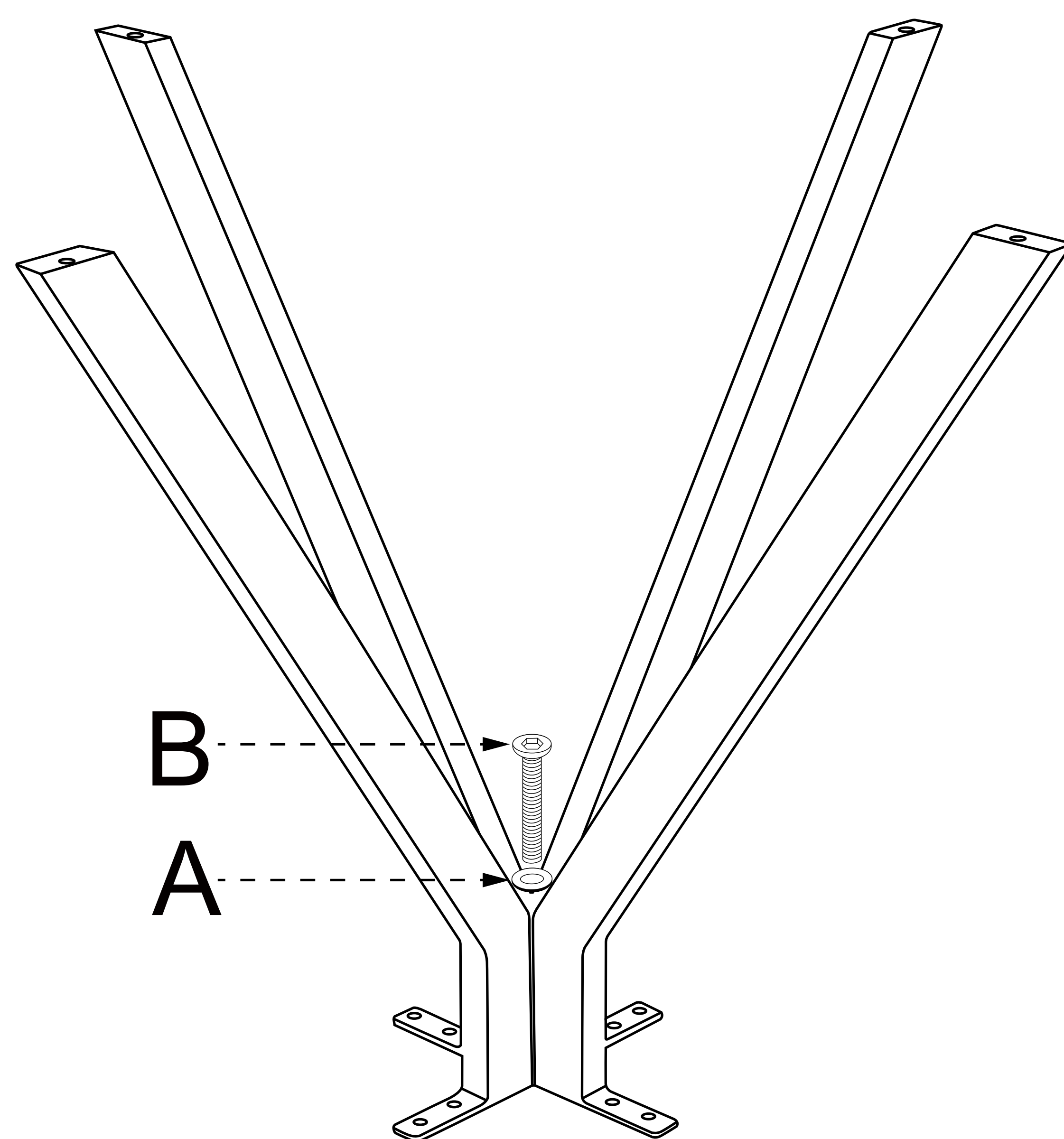
STEP 1

Place right leg(2) onto left leg(1).



STEP 2

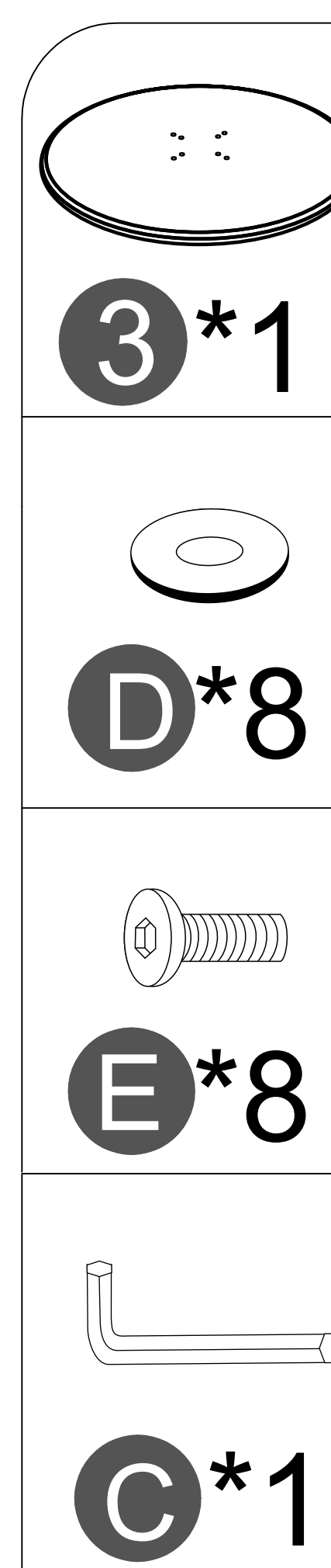
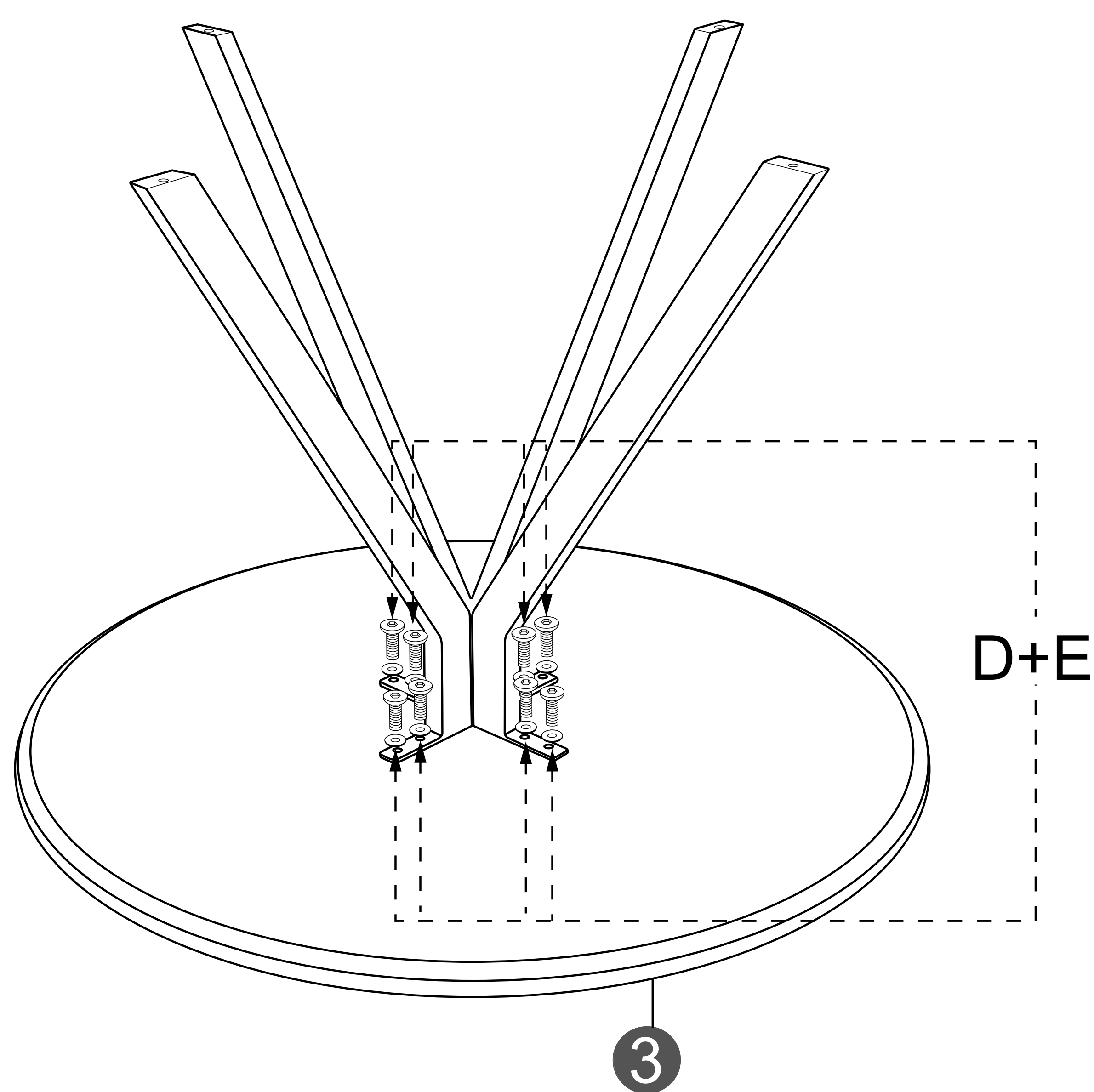
Attach right leg(2) on left leg(1) using washer(A), bolt(B) and Allen wrench(C).



Assembly Instruction

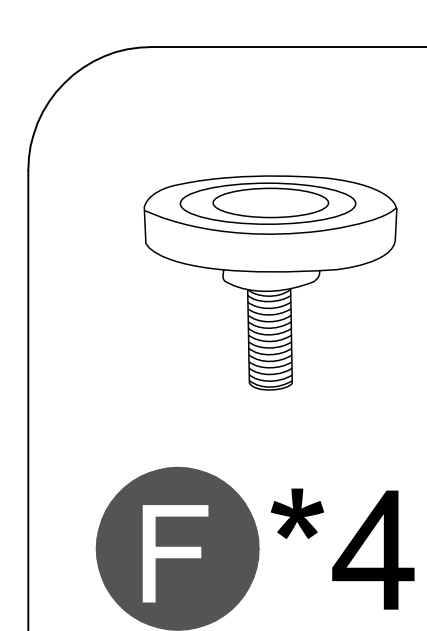
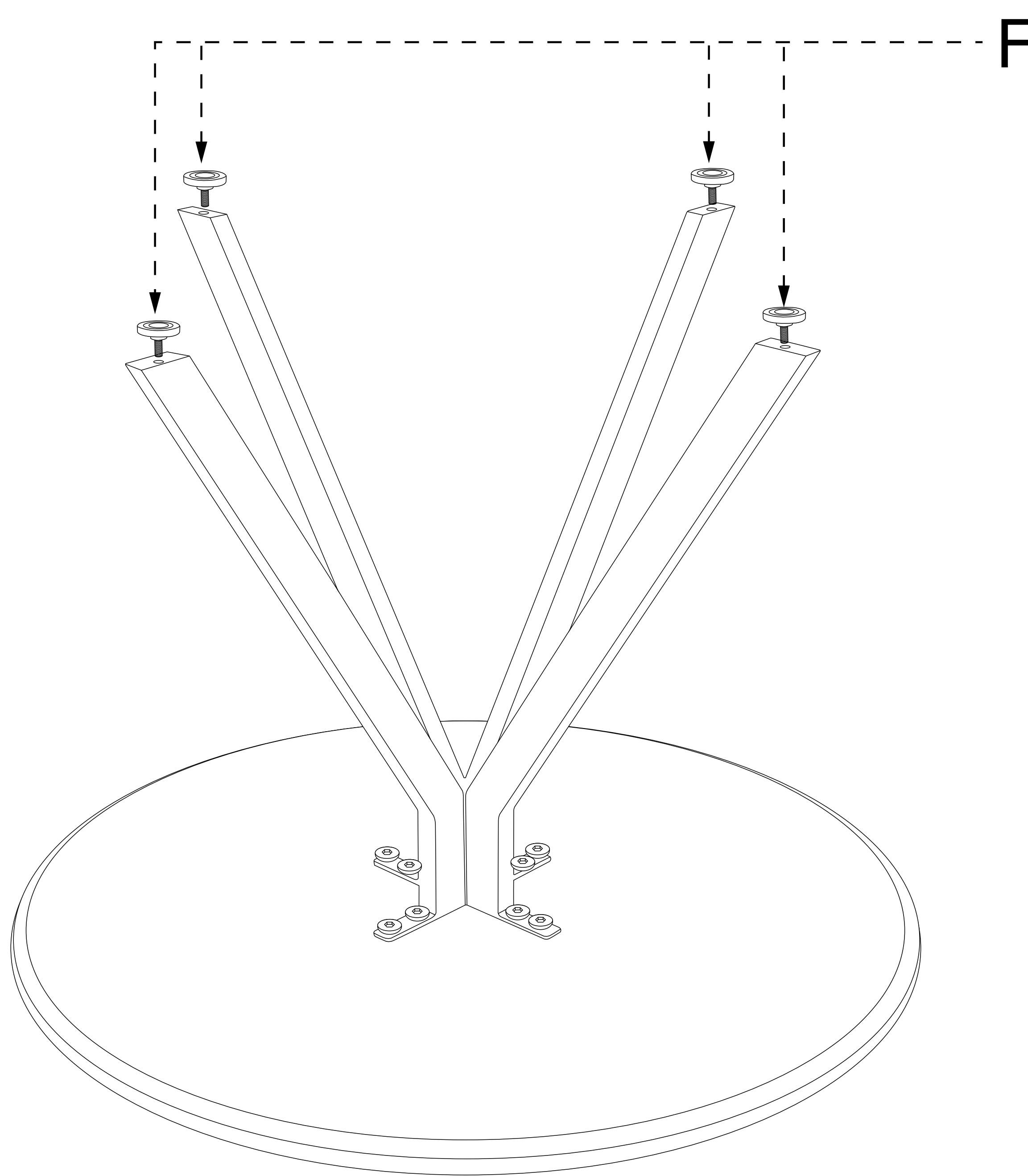
STEP 3

Attach legs to backside of desktop(3) using washers(D), bolts(E) and Allen wrench(C). Do NOT fully tighten the bolts until all of them are in the correct holes. This will allow you slight adjustments during the assembly.



STEP 4

Attach adjustable leg pad(F) into the bottom of legs.



Assembly Instruction

STEP 5

Tighten all the bolts completely.
If you find the chair not level, please adjust by rotating the leg pads on the legs.



DONE