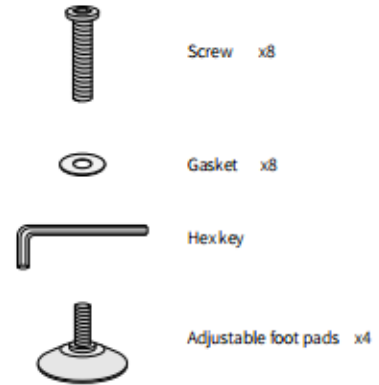
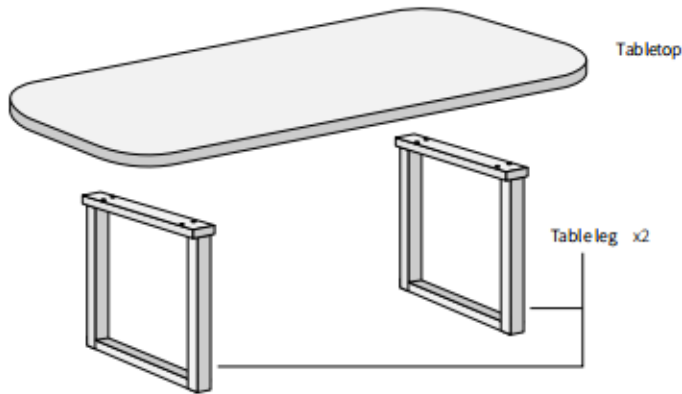


WOODEN TABLE INSTALLATION TUTORIAL

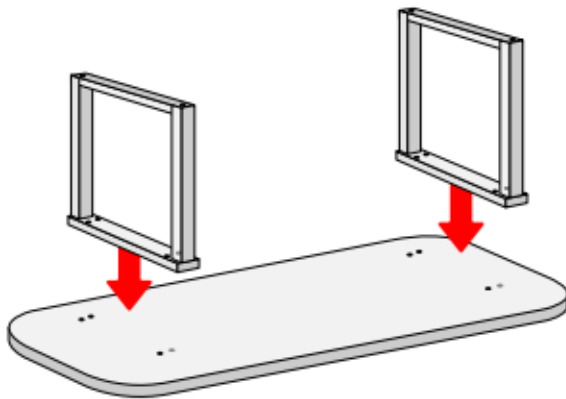
PARTS LIST

The extra parts are for spare



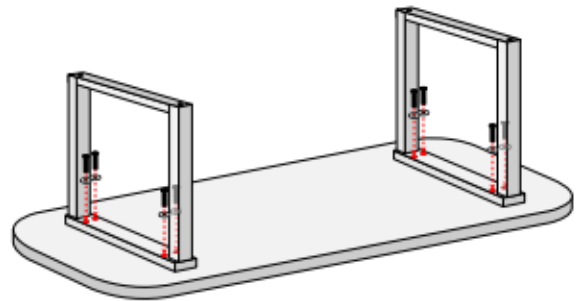
STEP 1

Turn the "Table leg" and "Tabletop" upside down and place them on the ground. Place the "Table leg" on the back of the "Tabletop", aligned with the holes.



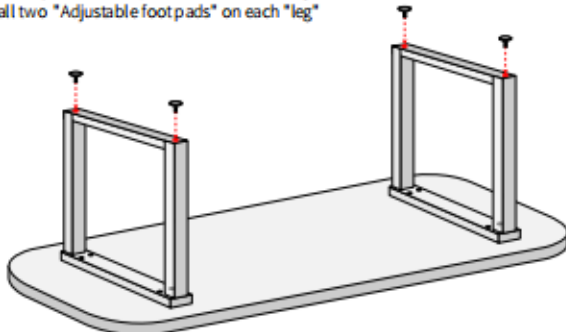
STEP 2

Use "screws" and "gaskets" to secure the "Table leg", each "Table leg" needs four "screws".



STEP 3

Install "Adjustable foot pads" on the "Table leg", Install two "Adjustable foot pads" on each "leg".



STEP 4

Installation complete

