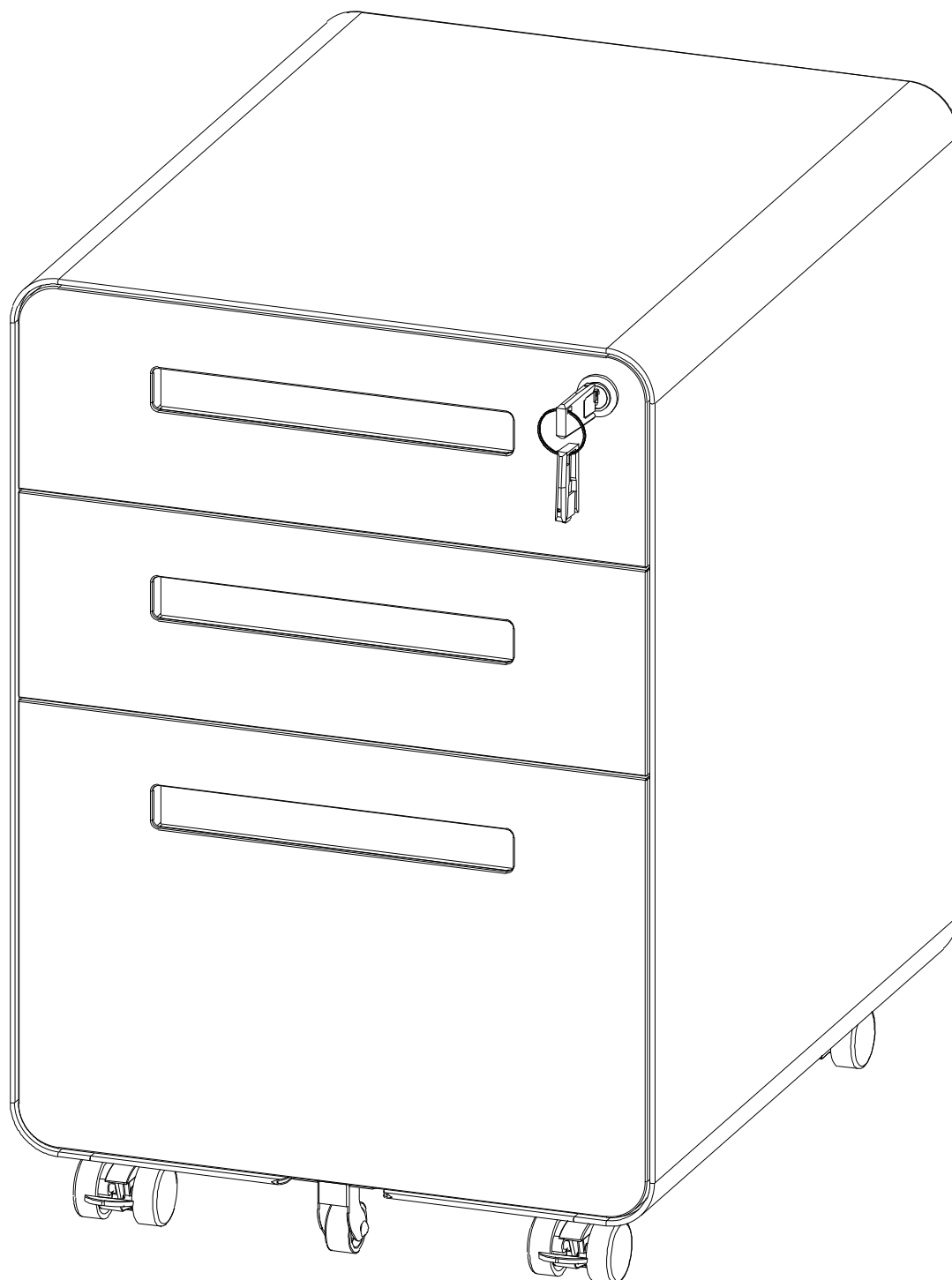


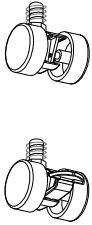



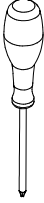

Installation & Assembly



GENERAL GUIDELINES

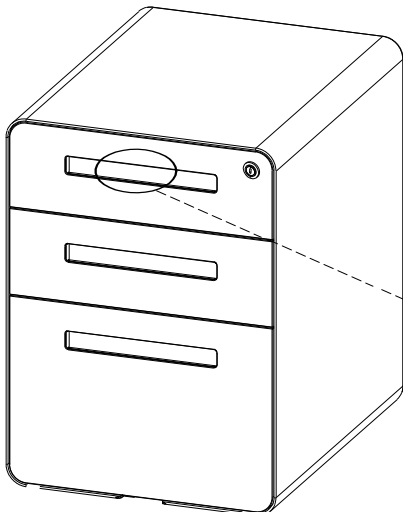
Please read the following instruction carefully and use the product accordingly.

Please contact us when further information and help are needed.

PARTS LIST	x2 	x1 	x2 	x1 	x1 	x1 
PARTS LOCATION	The five parts listed above are packed in one bag inside the bottom drawer.					Key Secured Inside Drawer Handle with Yellow Tape

Installation Guide

Step 1

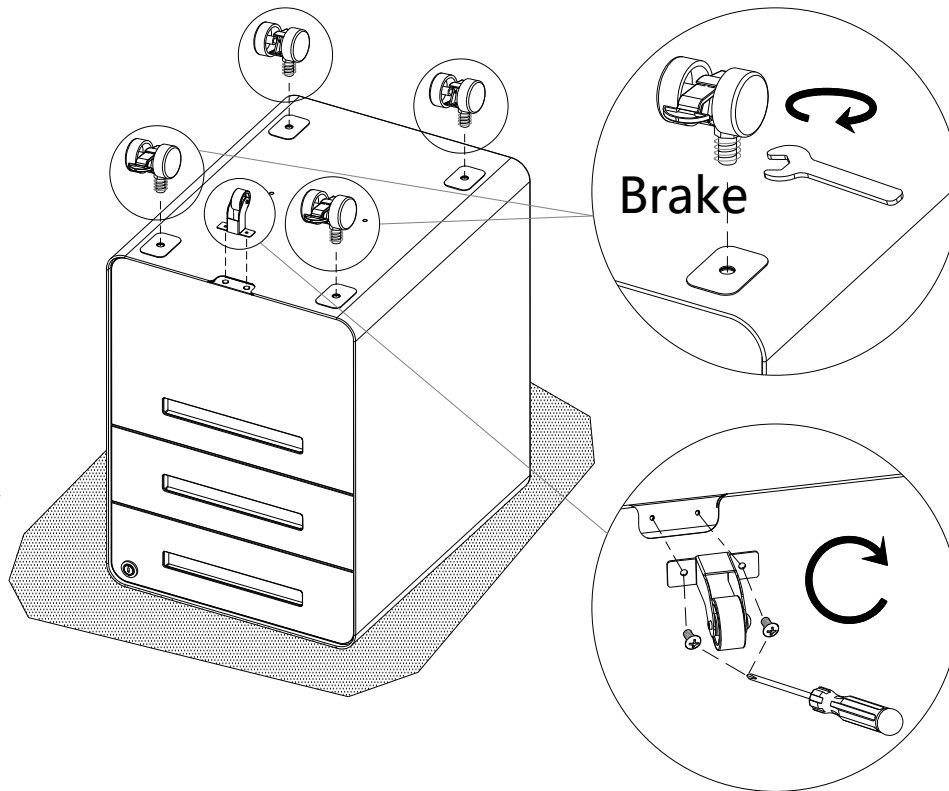


Key Secured Inside Drawer Handle with Yellow Tape.

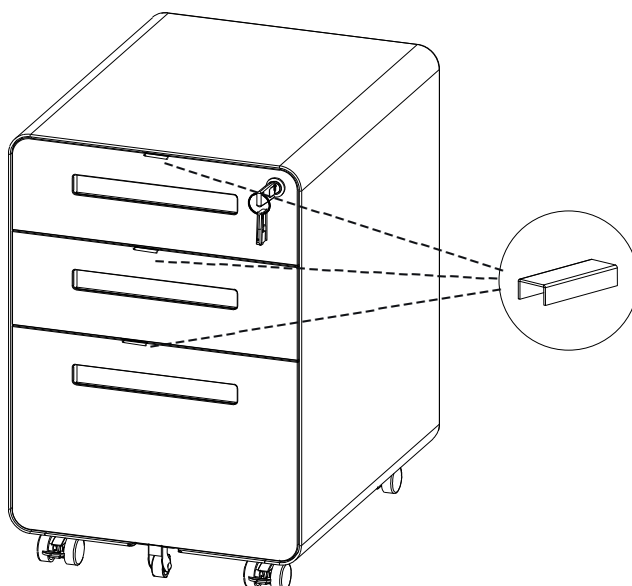
Step 2

Attach the four large wheels by screwing them directly into the cabinet.

Note: No screws are required to install these four larger wheels.



Attach the smaller wheel using two small screws.



The white plastic sleeve is packaging material and should be discarded.