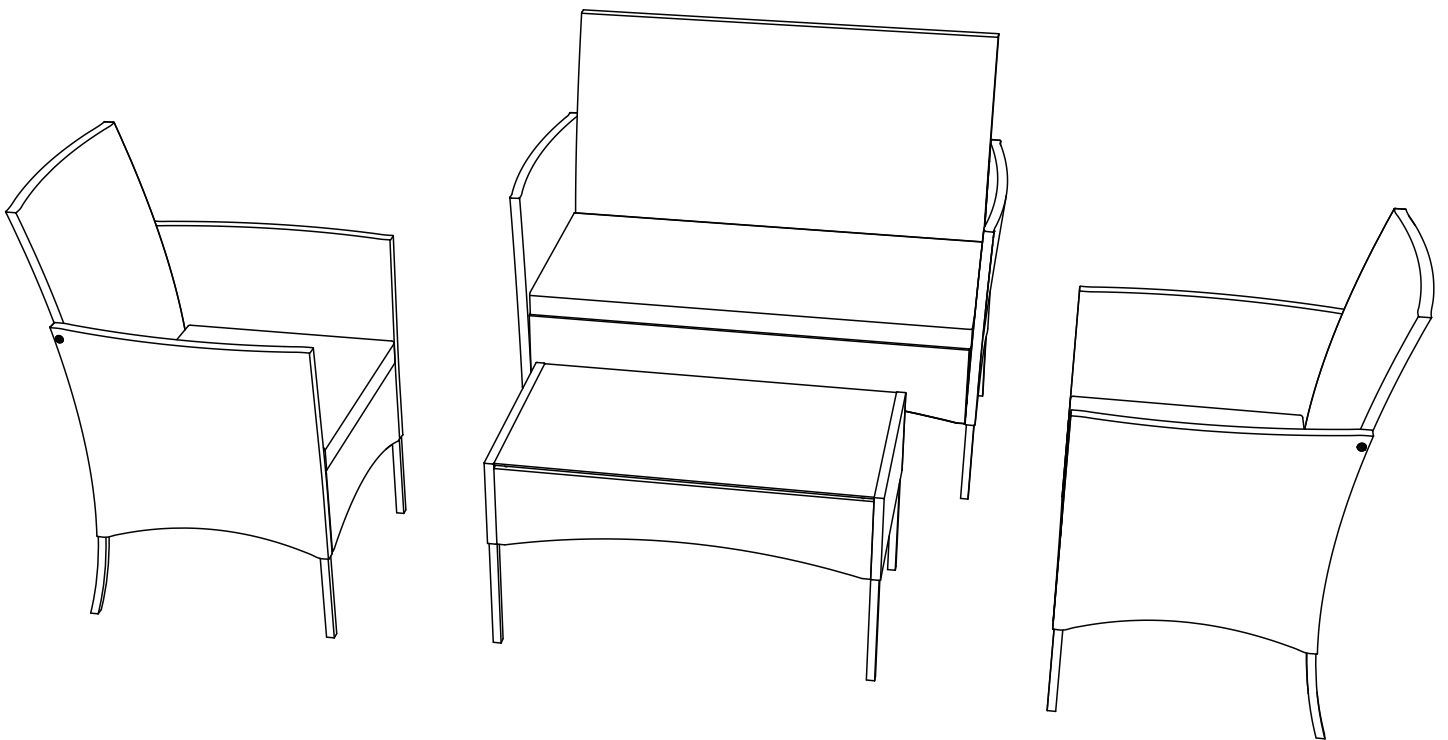


Rattan Four-piece Set

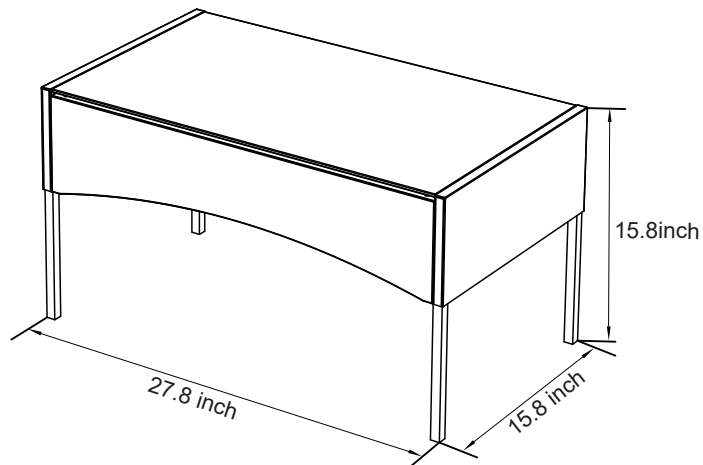
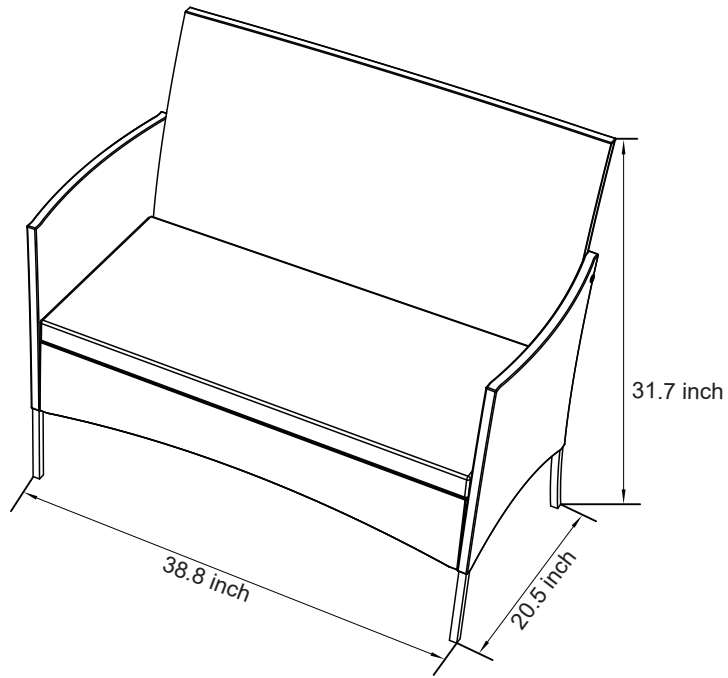
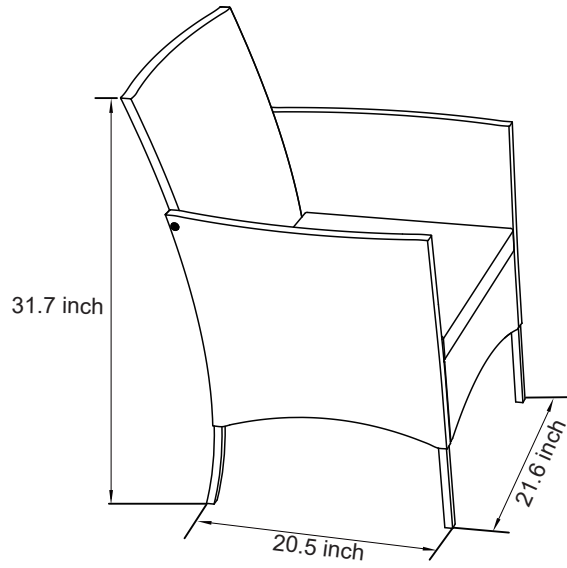


IMPORTANT

PLEASE READ BEFORE YOU COMMENCE ASSEMBLY

Follow the guidelines in this user guide to ensure correct
assembly and care for this product

SPECIFICATIONS



Instructions

Thank you for ordering the rattan four pieces set, here are some tips which may help you:

1. The cushion cover can be removed and washed.

2. The seat cushion may have some wrinkles. They will fully return to the original thickness after a while.

3. If any part is damaged or missing (please refer to packing list on page 5~6), please feel free to contact us. We will send you the replacement immediately.

4. In order to prolong the set's service life, we suggest that you put all the cushions indoors on a rainy day.

5. We hope you can enjoy our product, if you have any other problem, please feel free to contact us.

How To Cover Holes & Repair Broken Wicker



Step 1



Step 2



Step 3



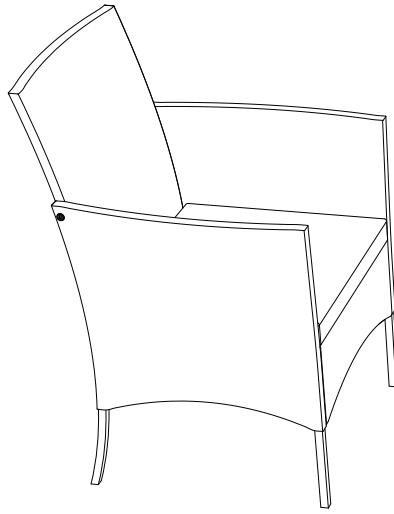
Step 4

You can use two pieces PE wicker to cover the hole, and repeat the steps to cover all the holes. These PE wicker can also be used to repair the scratch or broken wicker.

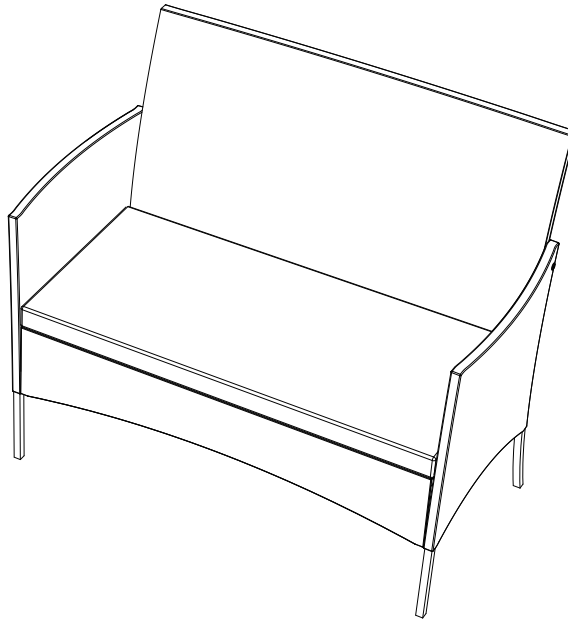
Catalog

Specifications.....	01
Instructions.....	02
Packing List.....	04
Parts List.....	05
Extra.....	05
How to Assemble Single Chair	06
How to Assemble Double Seat Chair	09
How to Assemble Dining Chairs	12

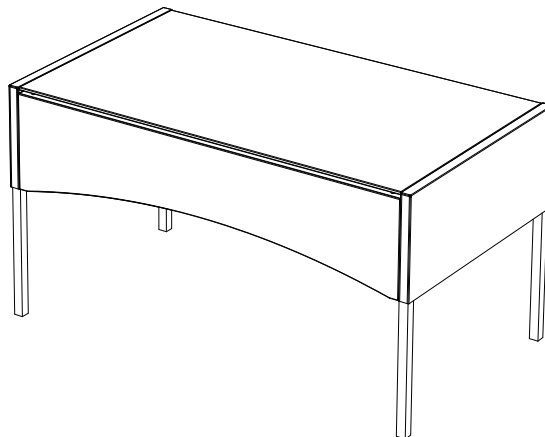
Packing List



Single seat X2

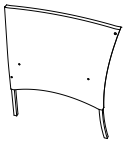
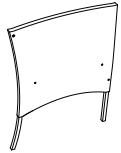

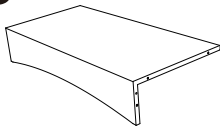
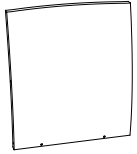
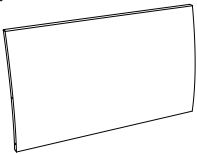

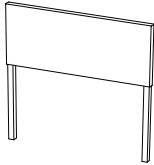

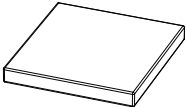
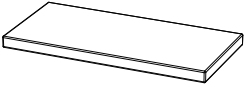


Double seat X1






Coffee table X1



PARTS LIST

A	B	C	D	E
				
Right armrest	Left armrest	Single chair base plate	Double chair base plate	Single-seat backrest
3PCS	3PCS	2PCS	1PC	2PCS
F	G	H	I	J
				
Double-seat backrest	Coffee table glass	Coffee table leg	Coffee table side panel	Single seat cushion
1PC	1PC	2PCS	2PCS	2PCS
K				
				
Double seat cushion				
1PC				

Screw Set

L	M	N		
				
M6*35	M6 Metal Gasket	M6 Universal Wrench		
39PCS	39PCS	1PC		

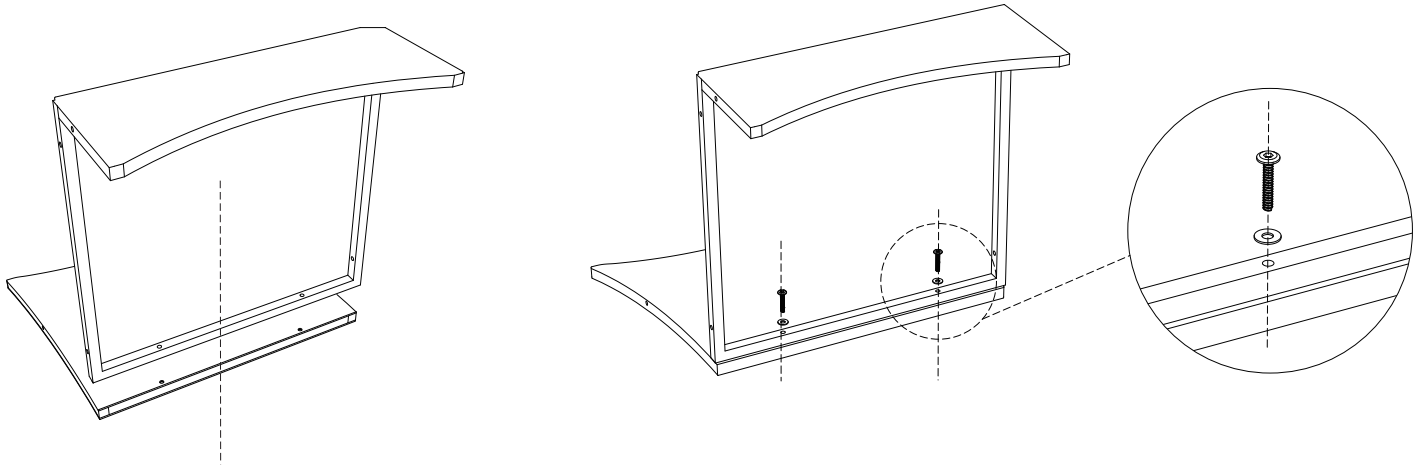
Extra

L	M			
				
M6*35	M6 Metal Gasket			
4PCS	4PCS			

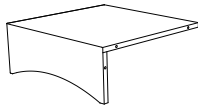
How To Assemble Single Chair

Step 1: Connect the single-seat backrest(E) and the base plate(C) with the screws(L).

NOTE: Do not tighten all screws now.

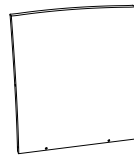


C



x1

E



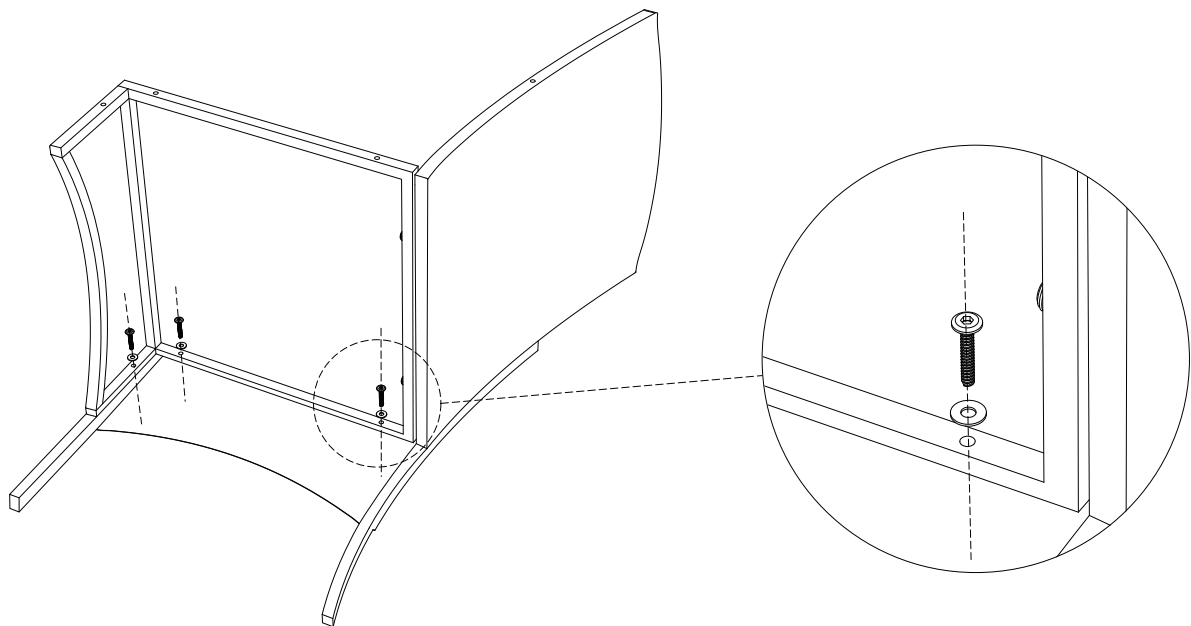
x1

L M6x35 x2

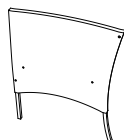
M x2

Step 2: Connect the right armrest(A) and the chair with the screws(L).

NOTE: Do not tighten all screws now.



A



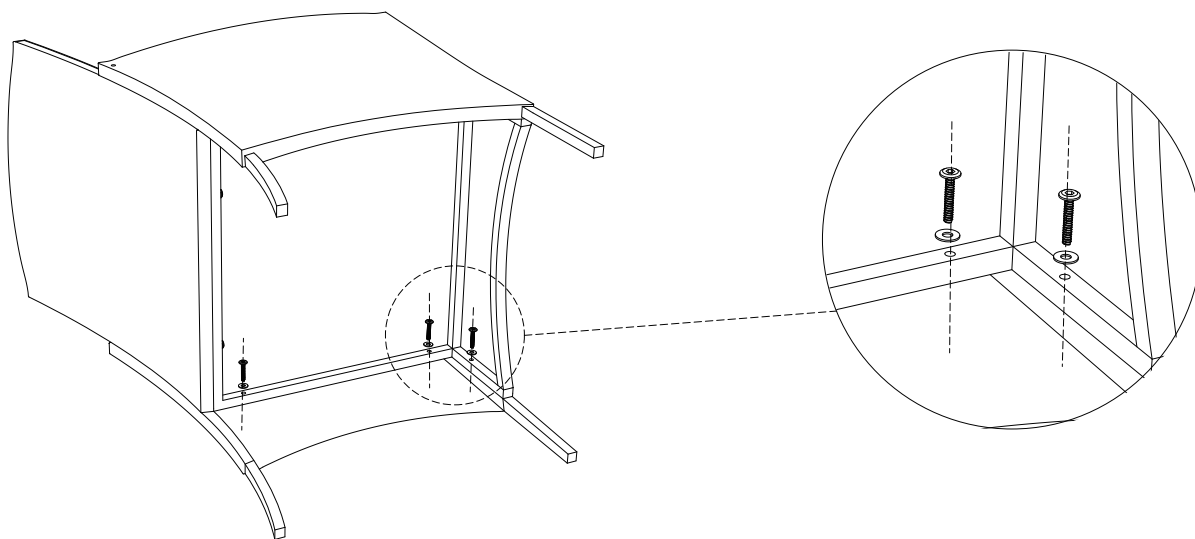
x1

L M6x35 x3

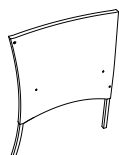
M x3

Installation steps

Step 3: Connect the left armrest(B) and the chair with the screws(L).
NOTE: Do not tighten all screws now.



B



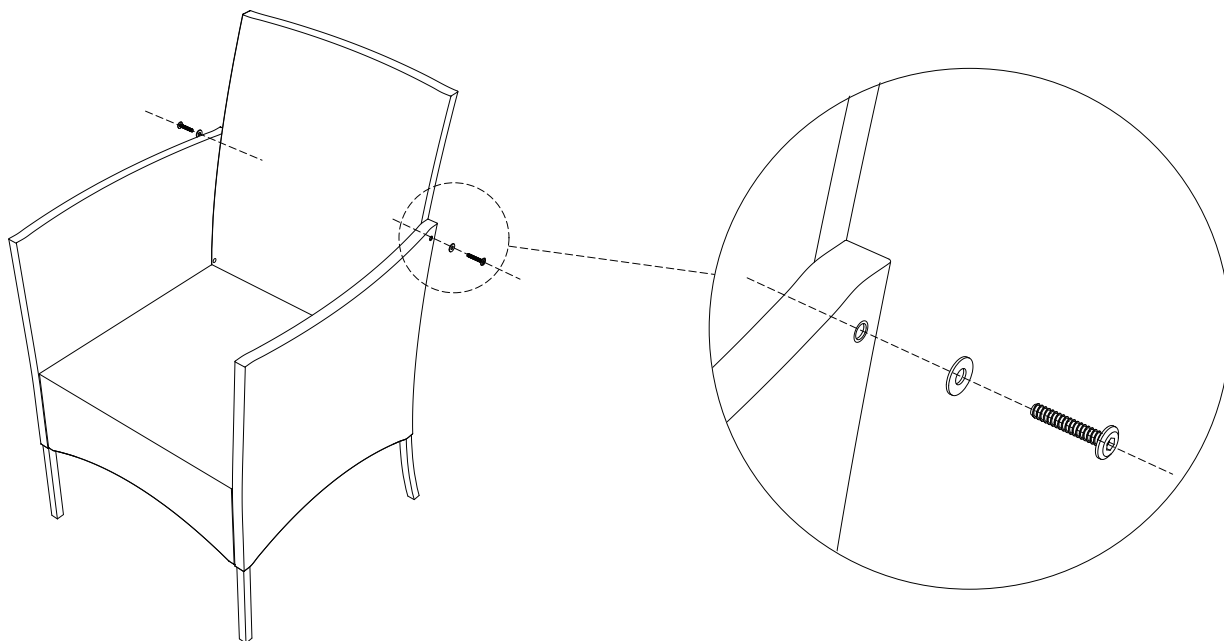
x1

L  M6x35 x3

M  x3

Step 4: Connect the backrest(E) and the armrest(A and B) with screws (L).

NOTE: Tighten all screws now.



L

 M6x35

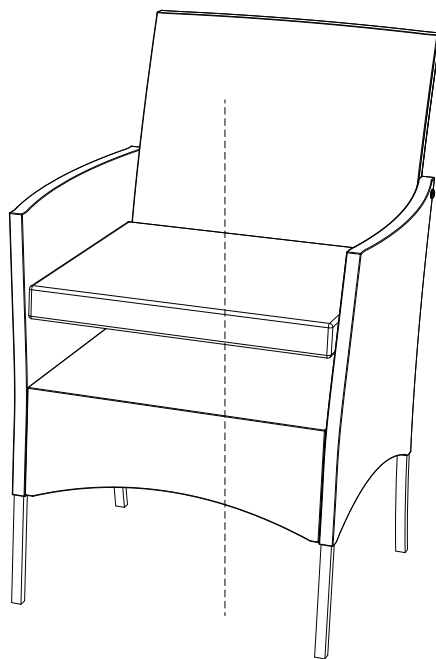
x2

M

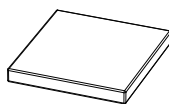


x2

Step 5: Put on the cushion(J).



J



x1

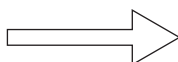
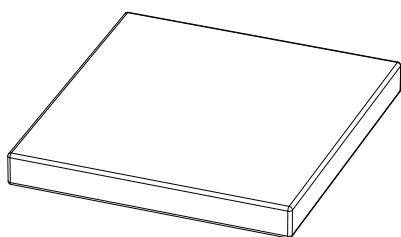
How To Change The Cloth Cover



Put the white foam
inside the cover



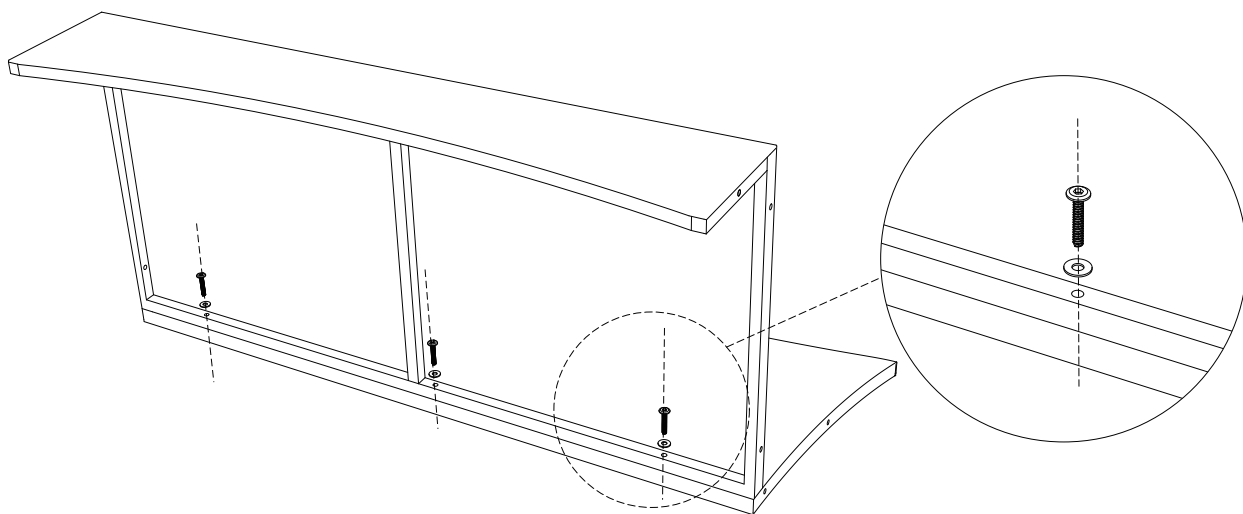
Seat Cushion



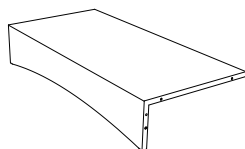
2pcs single seat cushions

How To Assemble Double Seat Chair

Step 1: Connect the chair base plate(D) and backrest(F) with screws(L).
NOTE: Do not tighten all screws now.

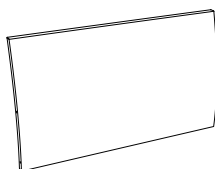


D



x1

F

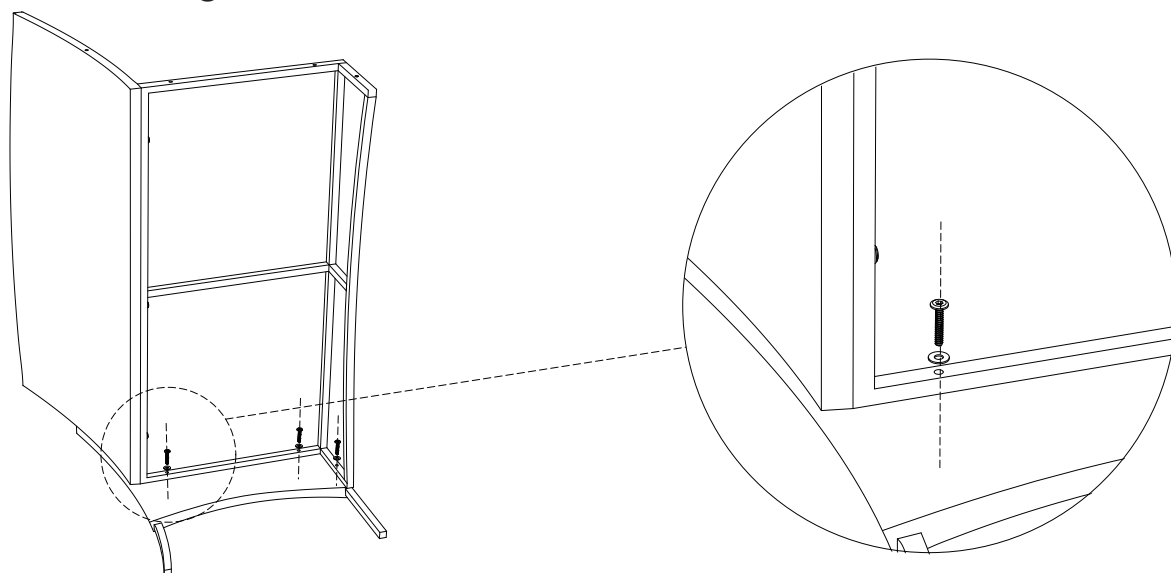


x1

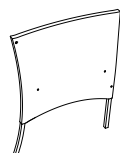
L  M6x35 x3

M  x3

Step 2: Connect the left armrest(B) and the chair with the screws(L).
NOTE: Do not tighten all screws now.

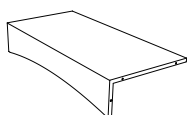


B



x1

D



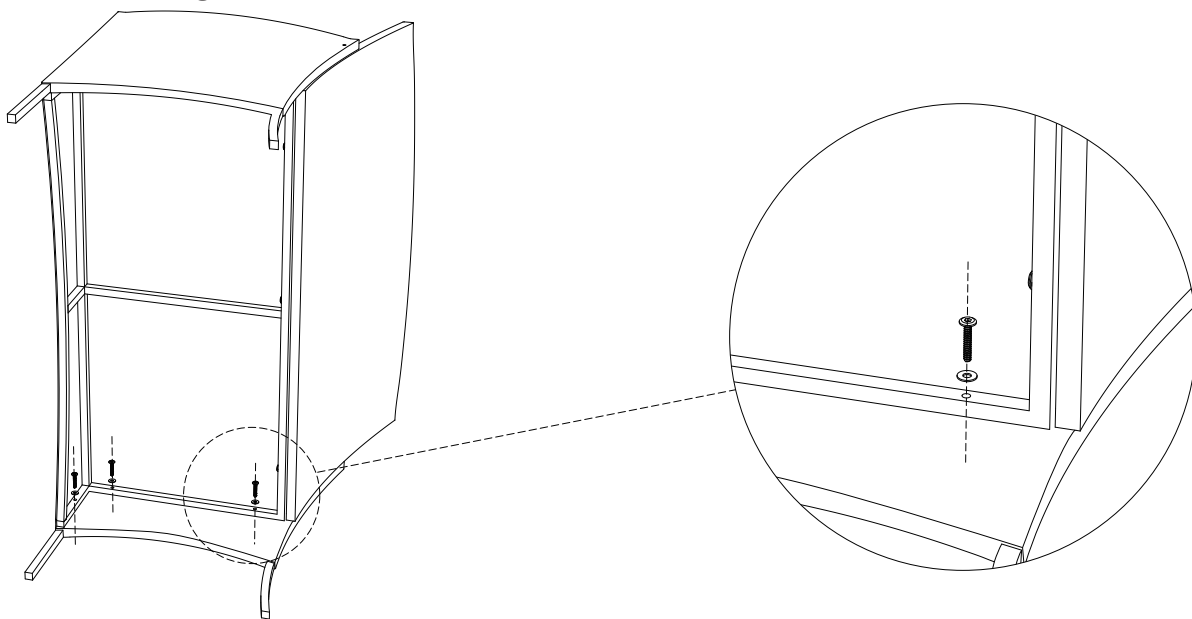
x1

L  M6x35 x3

M  x3

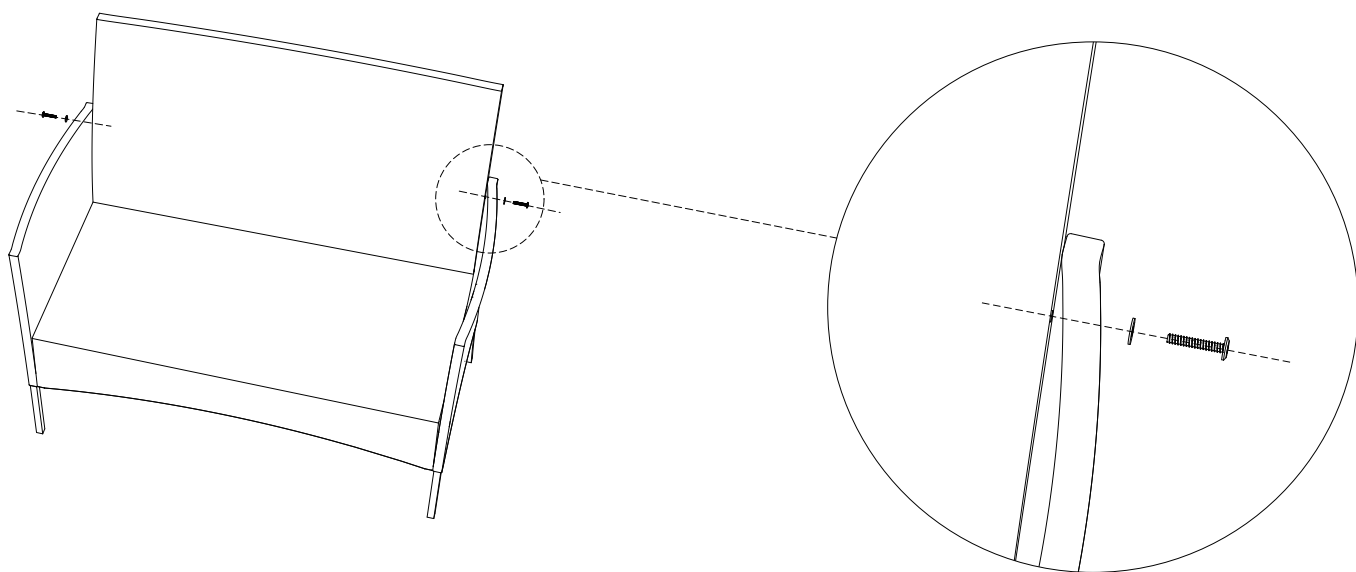
Installation steps

Step 3: Connect the right armrest(A) and the chair with the screws(L).
NOTE: Do not tighten all screws now.



A		x1	L		M6x35	x3
			M			x3

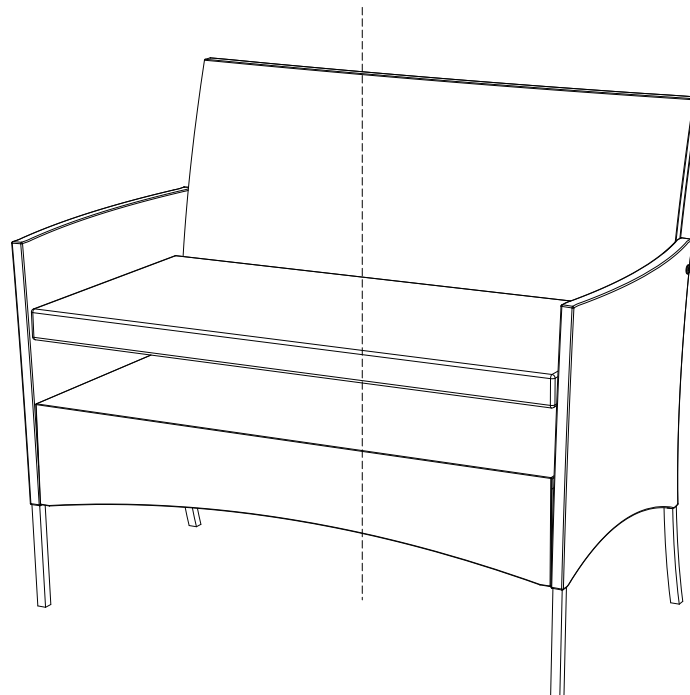
Step 4: Connect the chair armrest and backrest with screws(L).
NOTE: Tighten all screws now.



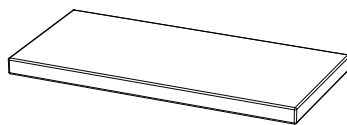
L		M6x35	x2	M		x2
---	--	-------	----	---	--	----

Installation steps

Step 5: Put on the cushion(K).



K



x1

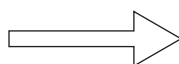
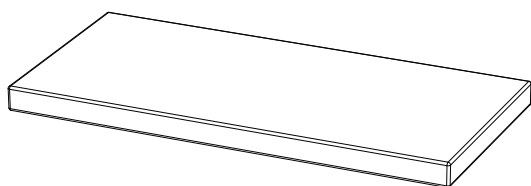
How To Change The Cloth Cover



Put the white foam
inside the cover



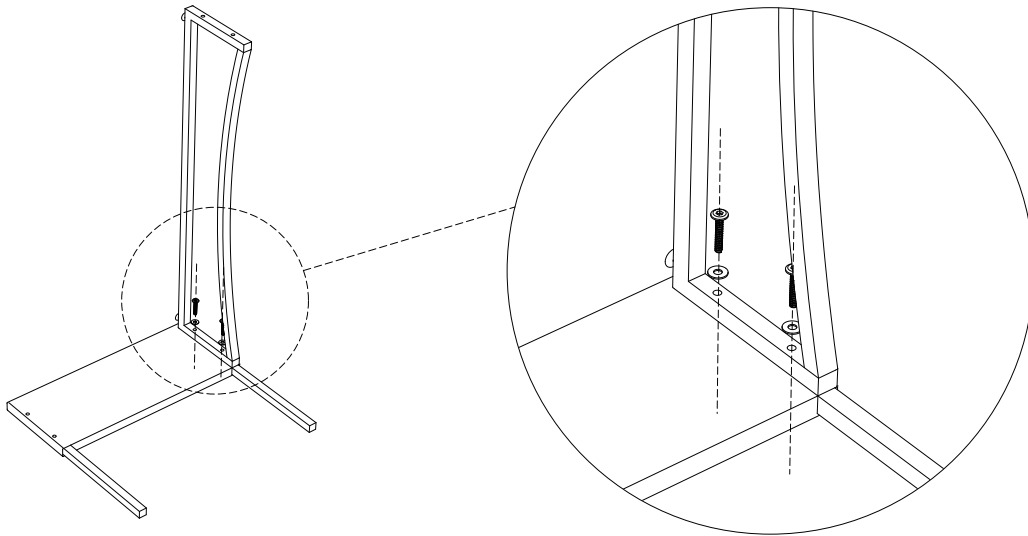
Seat Cushion



1pc double seat cushion

How To Assemble Coffee Table

Step 1: Attach the coffee table leg(H) to the side panel(I) with screws(L).
NOTE: Do not tighten all screws now.

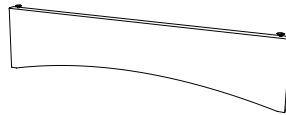


H



x1

I



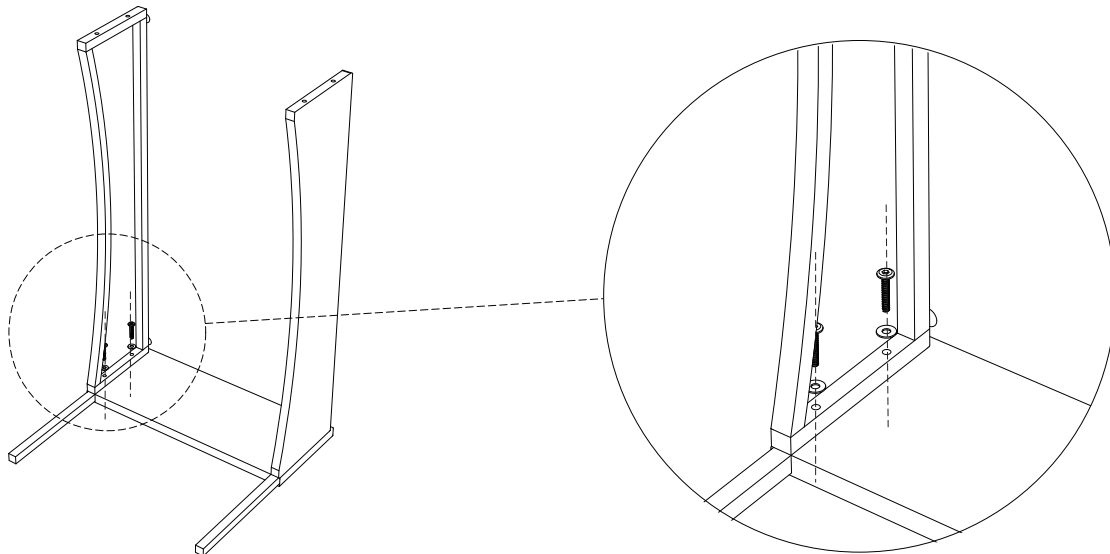
x1

L  M6x35 x2

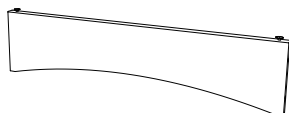
M  x2

Step 2: Attach the coffee table leg(H) to the other side panel(I) with screws(L).

NOTE: Do not tighten all screws now.



I



x1

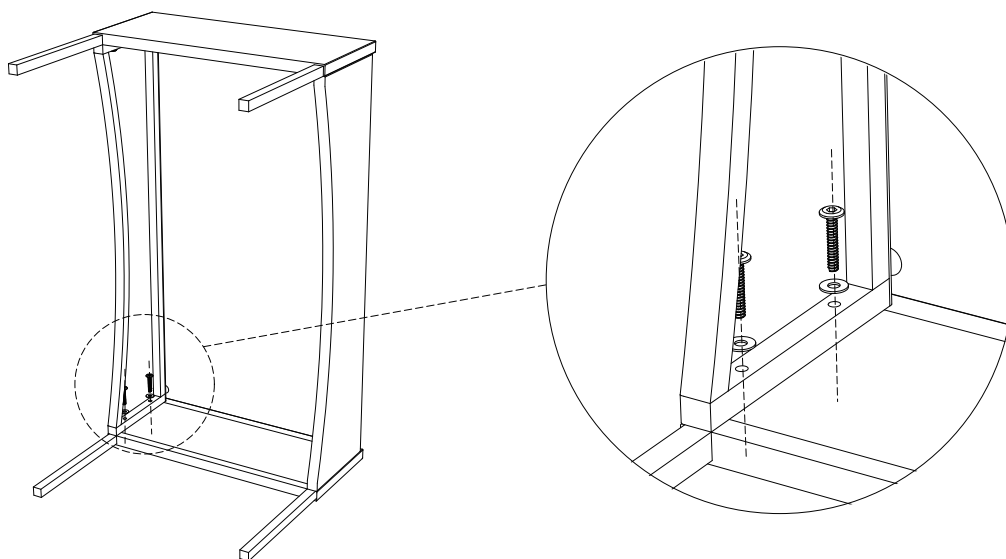
L  M6x35 x2

M  x2

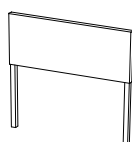
Installation steps

Step 3: Attach the other coffee table leg(H) to the table with the screws (L).

NOTE: Tighten all screws now.



H

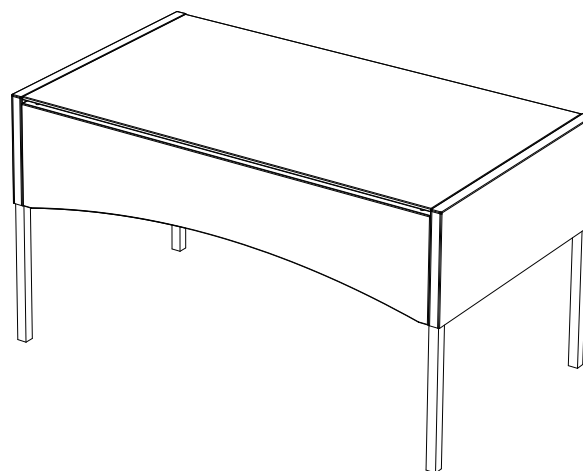
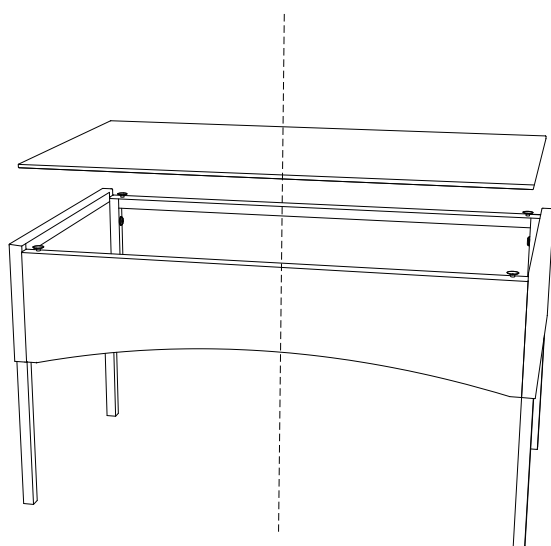


x1

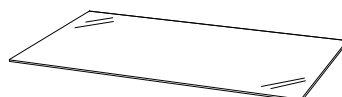
L M6x35 x4

M x4

Step 4: Place the glass(G) on.



G



x1

