

Wrought Iron 42" Rd Mesh Dining Table

Item #W22160

Assembly Instructions

****TO AVOID POTENTIAL SCRATCHING TO PARTS BY ROUGH GROUND SURFACE, COVER GROUND WITH SOFT SMOOTH PROTECTIVE MATERIAL ON WHICH TO PLACE PARTS DURING ASSEMBLY. ****

Step 1: Remove protective wrapping and lay all parts on ground. Identify all parts packed in carton against the parts list.

Step 2: Lay Table Top Frame (A) upside down on ground, so bottom is facing up.

Step 3: Attach each of four legs (B) to the bottom as shown in Diagram 1, using Short Bolt (D) and Washer (G). Then attach Stretcher (C) to Legs(B) using Long Bolt (E) and Washer (G), and Nut (F) as shown in Diagram 2.

Step 4: Make sure all bolts are aligned properly and tightened sufficiently. Then place Bolt Covers(H) and Nut Covers(I) over bolts and nuts. Then turn the table over to upright position onto flat surface.

NOTE: IT IS USER'S RESPONSIBILITY TO MAKE SURE ALL PARTS ARE ASSEMBLED AND TIGHTENED PROPERLY AND SECURELY.

WARNING!: WARNING!: TABLE IS NOT MEANT FOR SITTING OR STANDING ON. DO NOT SIT/STAND ON OR LEAN FULL BODY AGAINST TABLE. IMPROPER USE MAY LEAD TO PRODUCT DAMAGE AND/OR BODILY INJURY.

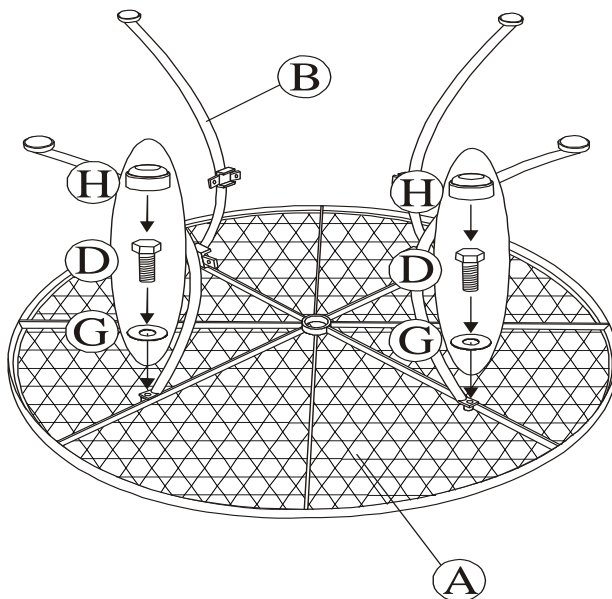


Diagram 1

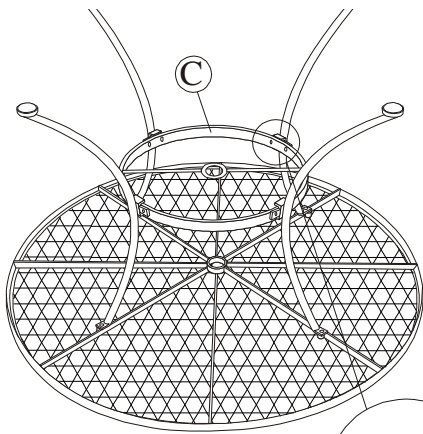


Diagram 2

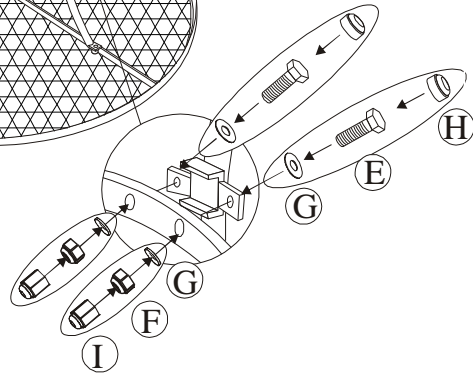


Diagram 3

PARTS LIST

Ref	Part Name	Part Image	Qty	Ref	Part Name	Part Image	Qty
A	Table Top		1	F	Nut		8
B	Table Legs		4	G	Washer		20
C	Stretcher		1	H	Bolt Cover		12
D	Short Bolt		4	I	Nut Cover		8
E	Long Bolt		8	J	Hex Wrench		2

WOODARD
Customer Service Hours
8:00am-5:00pm CST Monday to Friday
Phone: (800) 877-2290 Fax: (800) 733-4257
E-mail: retail3@woodard-furniture.com