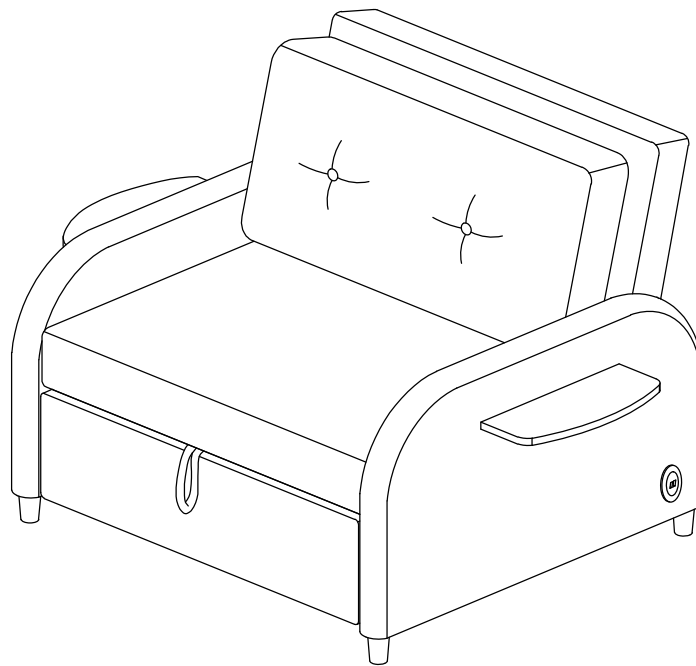
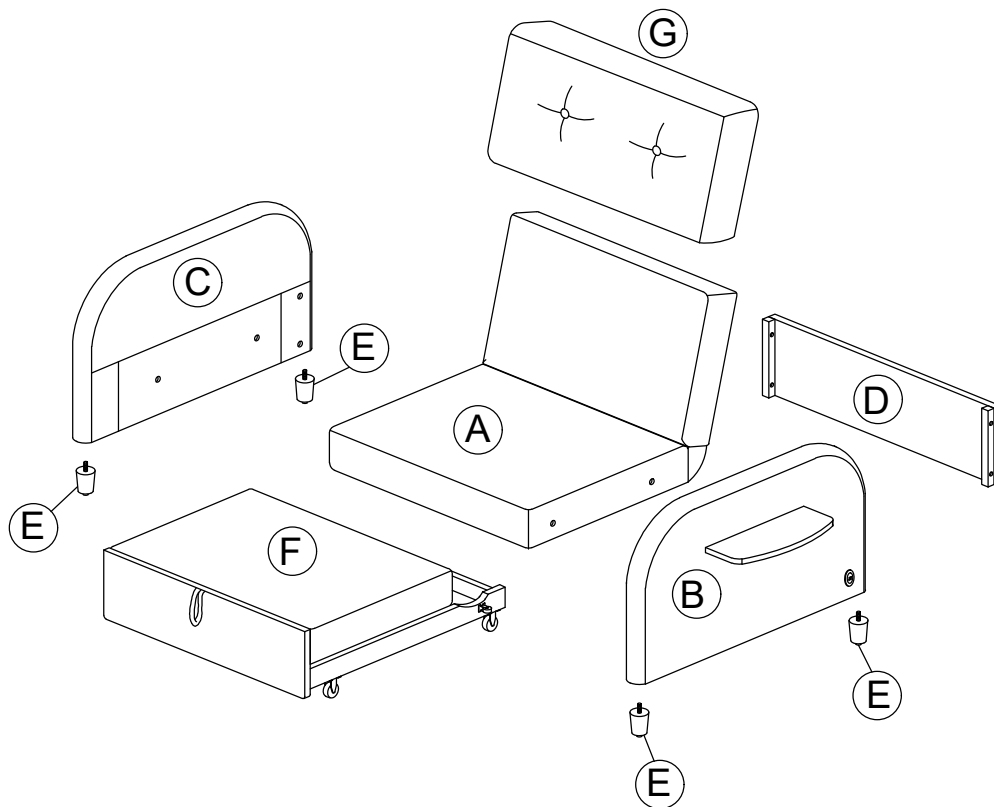


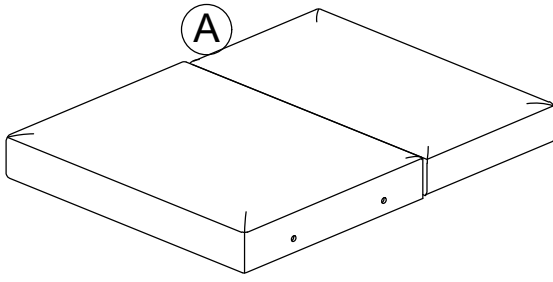
# ASSEMBLY INSTRUCTION



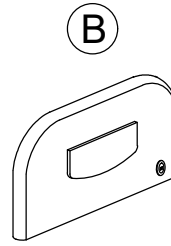
## PARTS



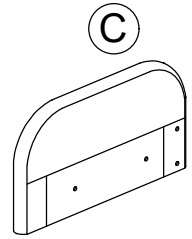
# PARTS LIST



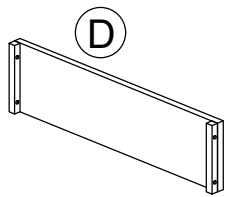
Chair Body  
X 1PC



Left Arm X 1PC



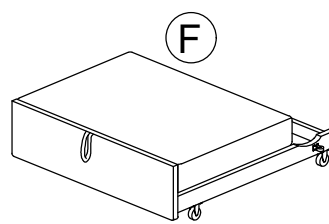
Right Arm X 1PC



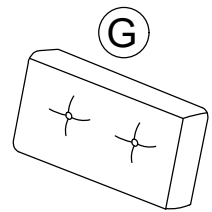
Back Frame  
X 1PC



Legs X 4PCS

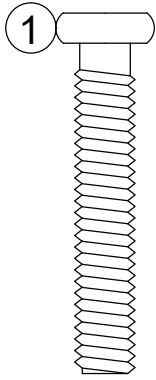


Pull out Bed X 1PC

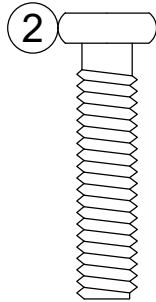


Pillow X 1PC

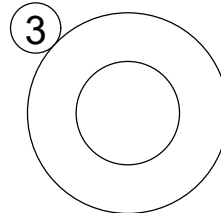
# HARDWARE



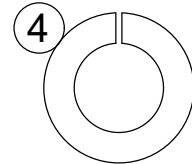
Bolt  
5/16" X 2-1/2" X4



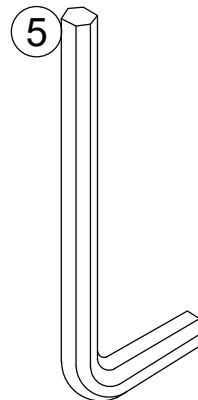
Bolt  
5/16" X 2" X4



Washer  
5/16" X 19mm X 8



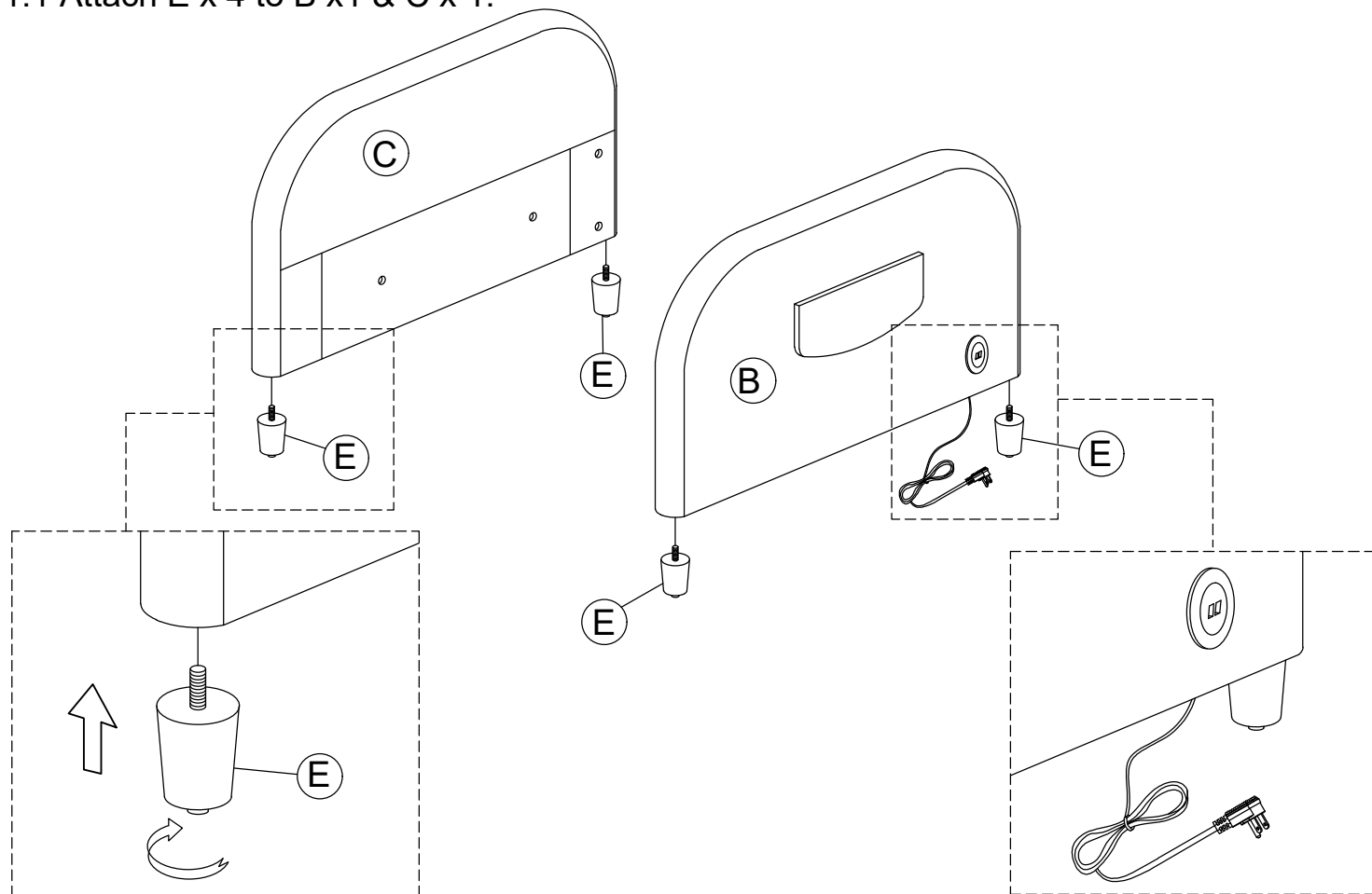
Spring Washer  
X 8



Allen Key 5 mm

## STEP 1:

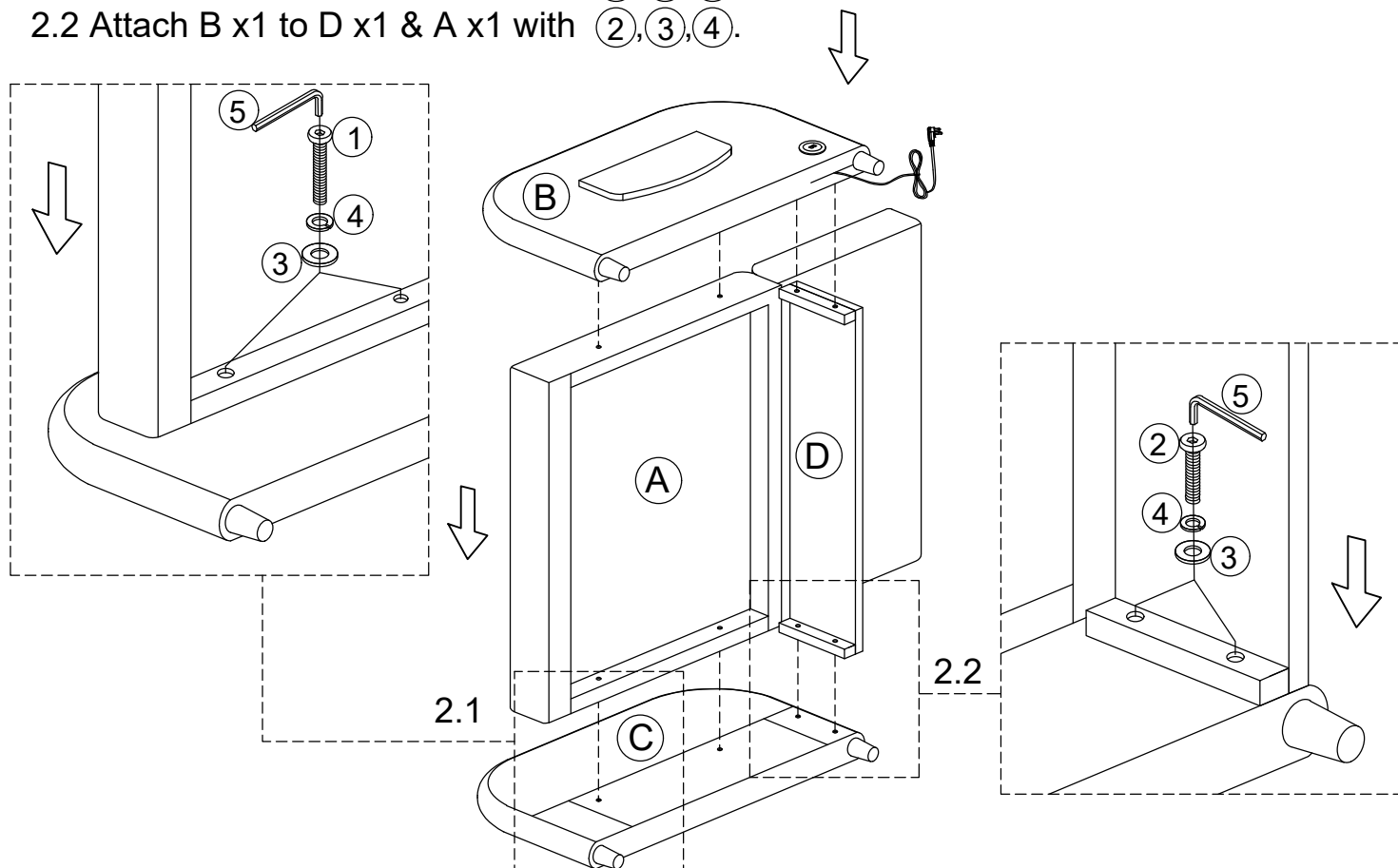
1.1 Attach E x 4 to B x1 & C x 1.



## STEP 2:

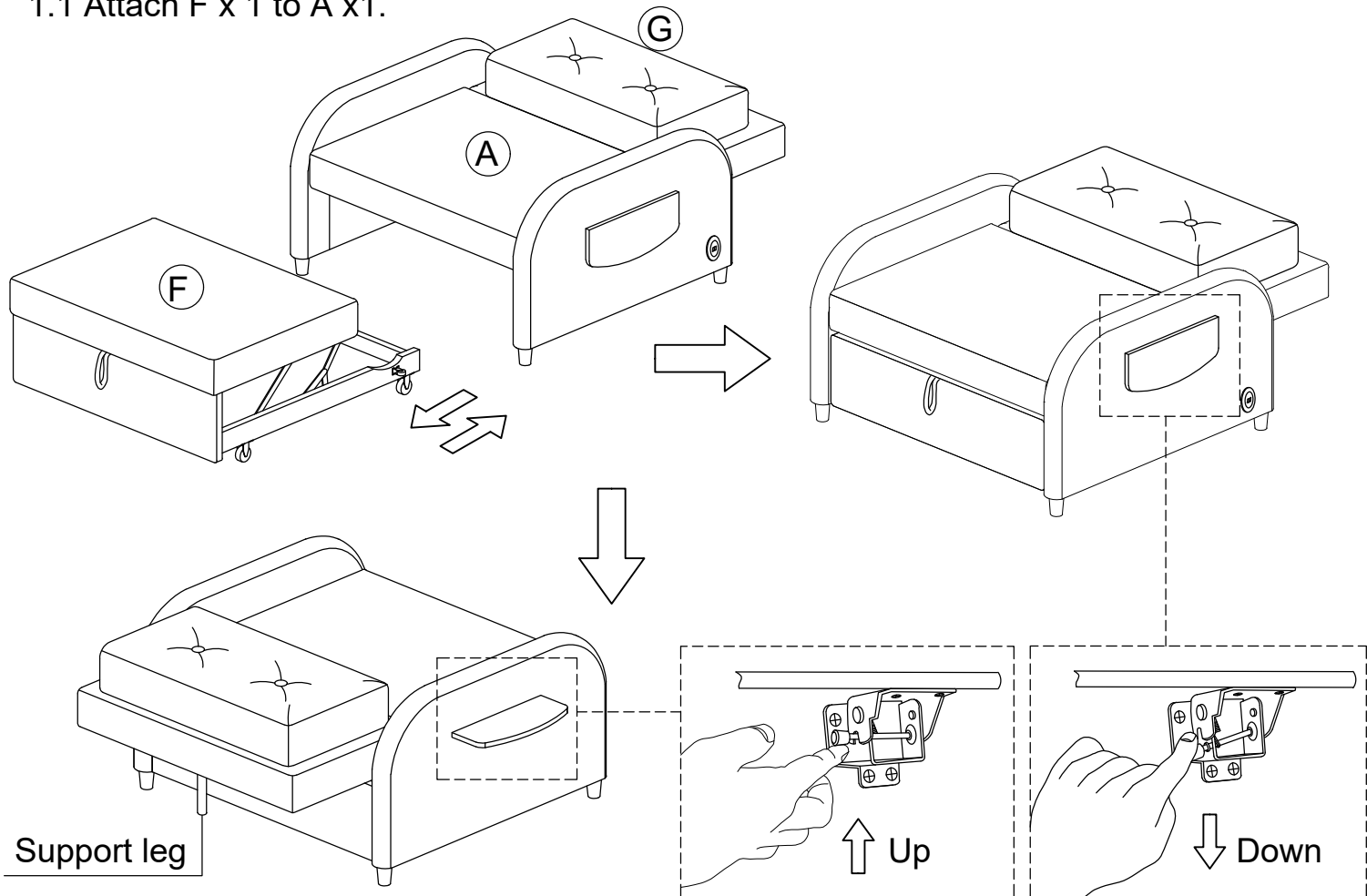
2.1 Attach A x1 to D x1 & C x1 with ①, ③, ④.

2.2 Attach B x1 to D x1 & A x1 with ②, ③, ④.

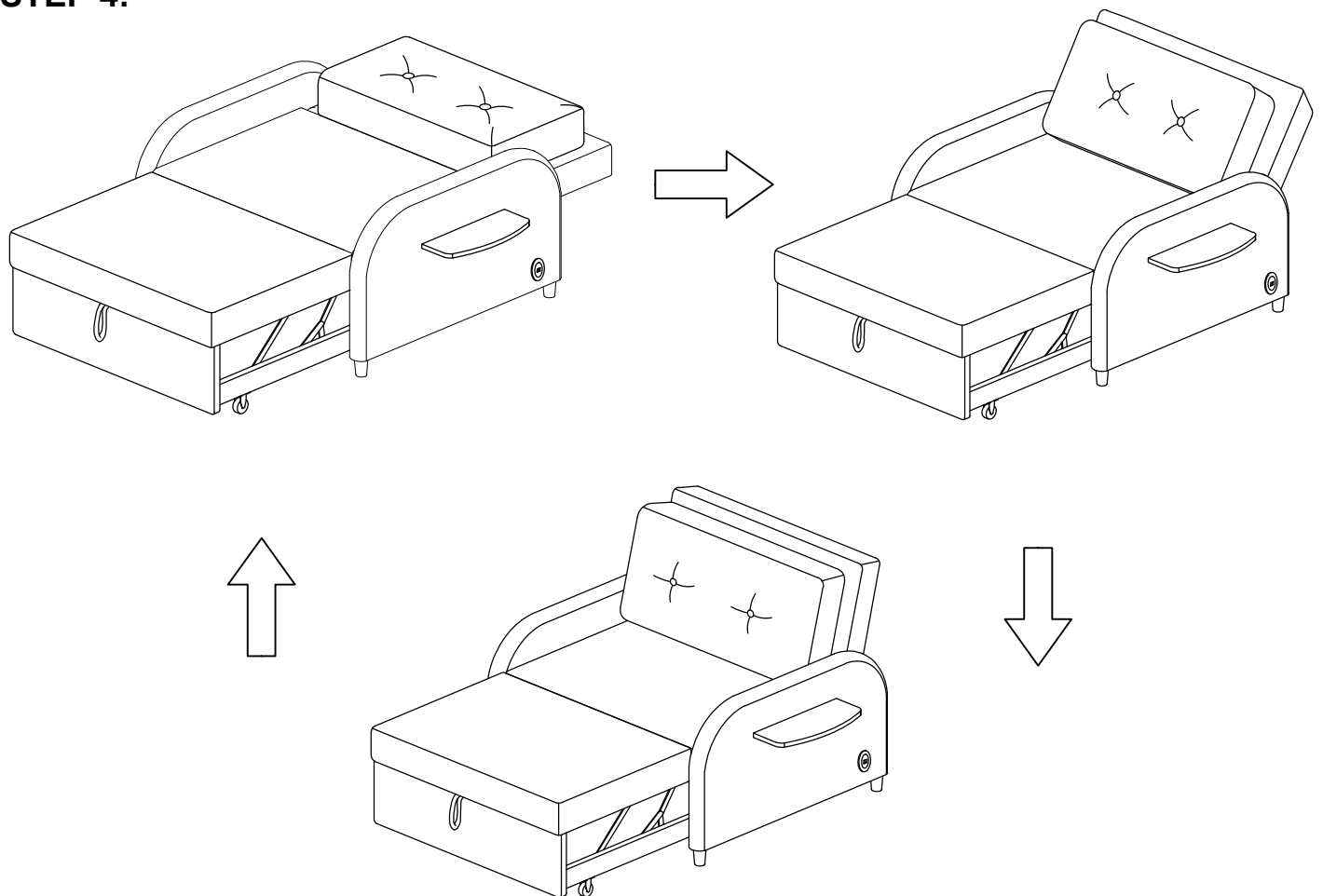


**STEP 3:**

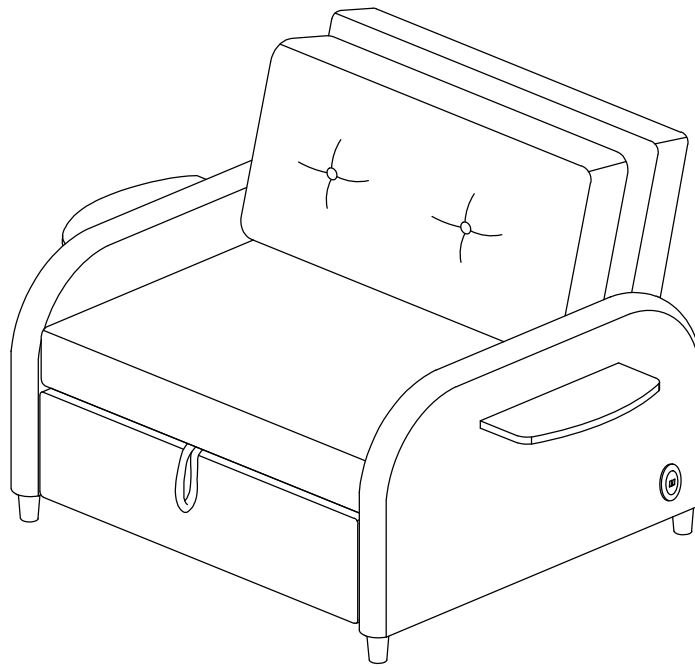
1.1 Attach F x 1 to A x1.



**STEP 4:**



**COMPLETE**



## Helpful Hints

- Your futon can transform between a Sofa.
- Move your new furniture carefully, with two people lifting and carrying the unit to its new location.
- Your furniture can be disassembled and reassembled to move.
- Clean the product with a soft damp cloth. DO NOT use harsh chemicals or abrasive cleaners.

