

Warranty

In any circumstance that the product arrives damaged or missing parts.

We are more than happy to provide you with replacement part.

Warm tips

Please read the instructions carefully before assembly and It is highly recommended to assemble the chair on a soft clean surface to avoid scratches.

Barstool

Model: 8051B

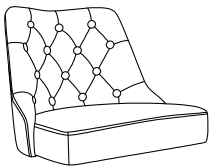

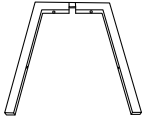
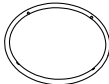


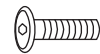
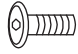



Made in China

INSTRUCTION MANUAL

Bar Chair

PARTS DESCRIPTION

A	B	C	D	E	F
 x1	 x1	 x1	 x1	 x1	 M6*35mm x1
			G	H	I
			 M6*30mm x4	 M6*20mm x8	 x1

ASSEMBLY STEPS

