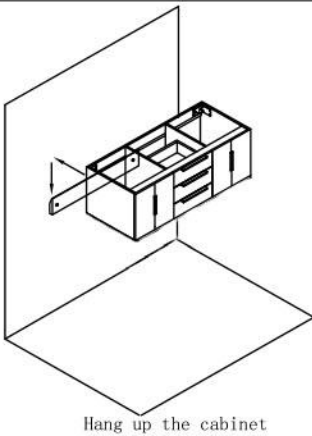
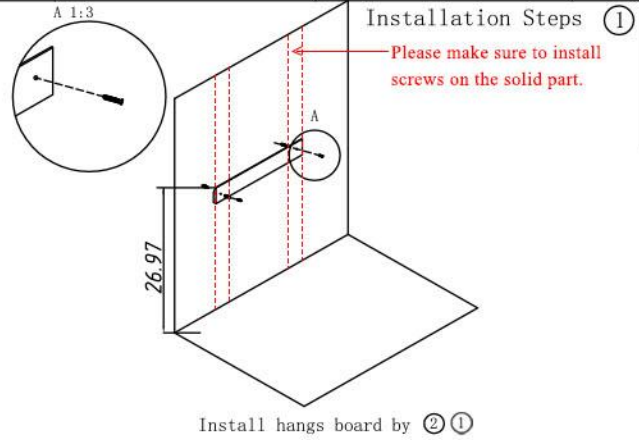
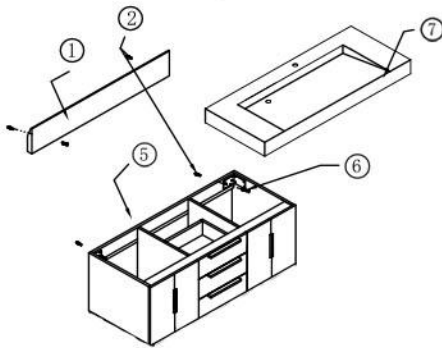


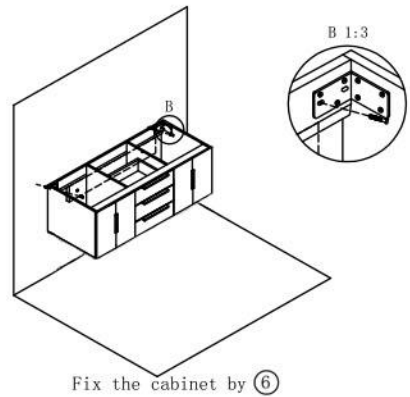
Installation Instruction

PARTS LIST

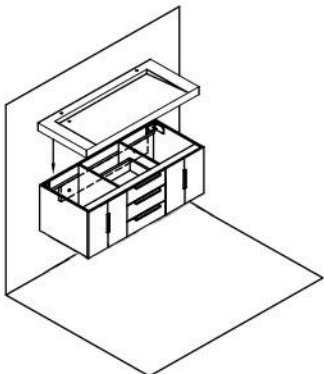
NO.	PARTS	NAME	QTY	NO.	PARTS	NAME	QTY
①		Hangs board	1	⑤		Cabinet body	1
②		M4x60 Countersunk head screw	2	⑥		M6x65 Screw	2
③		25 x 25 x 430 Aluminum bar with holes	7	⑦		Basin	1
④		M4 x 14 Flat head tapping screws	14				



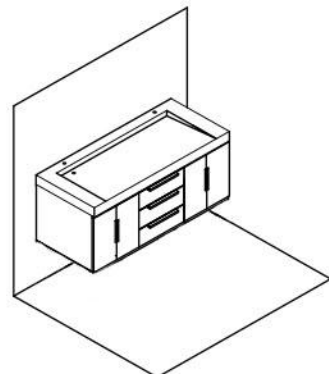
②



③



④



⑤