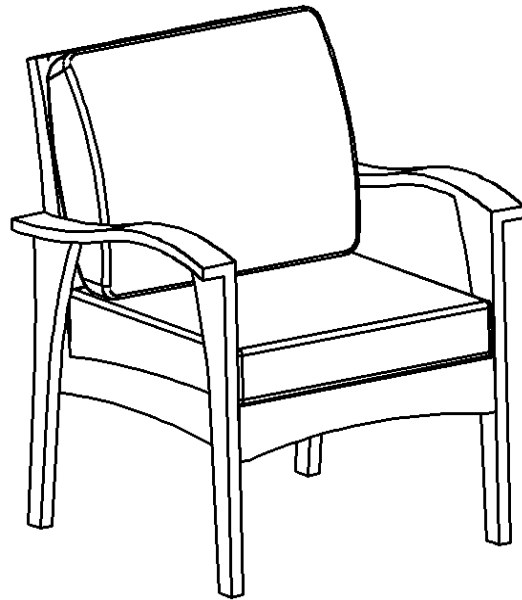


Assembly Instructions

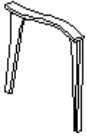
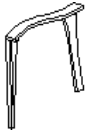
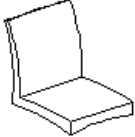
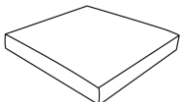
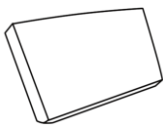
CAUTION : You must read this before you proceed

Single Chair








CAUTION : This Chair is NOT a TOY.
Keep your child / children at bay during the assembly process.

Parts List

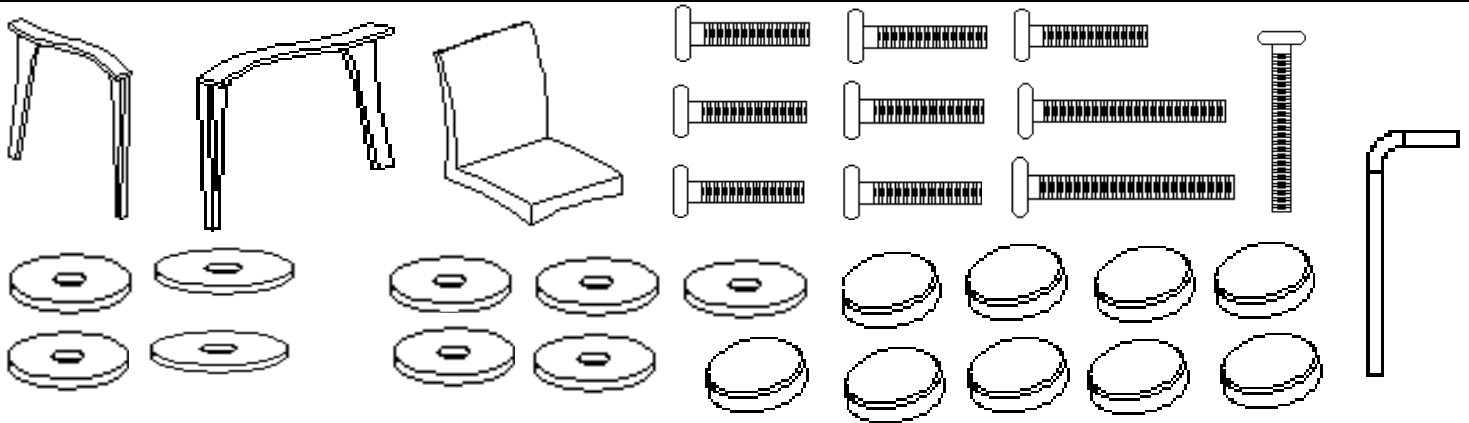
Label	Picture	Description	QTY
A		Left Armrest	1
B		Right Armrest	1
C		Seat	1
D		Seat Cushion	1
E		Back Cushion	1

Hardware

Label	Picture	Description	QTY
①		Bolt Cap	9
②		Bolt M6*35mm	7
③		M6 Washer Rings	9
④		Allen Key	1
⑤		Bolt M6*50mm	3

Assembly Preparation

Before Beginning Assembly:



- Read instructions, cover to cover-



- Have 2 adults on hand for assembly-



- Do not assemble on flooring or carpet-



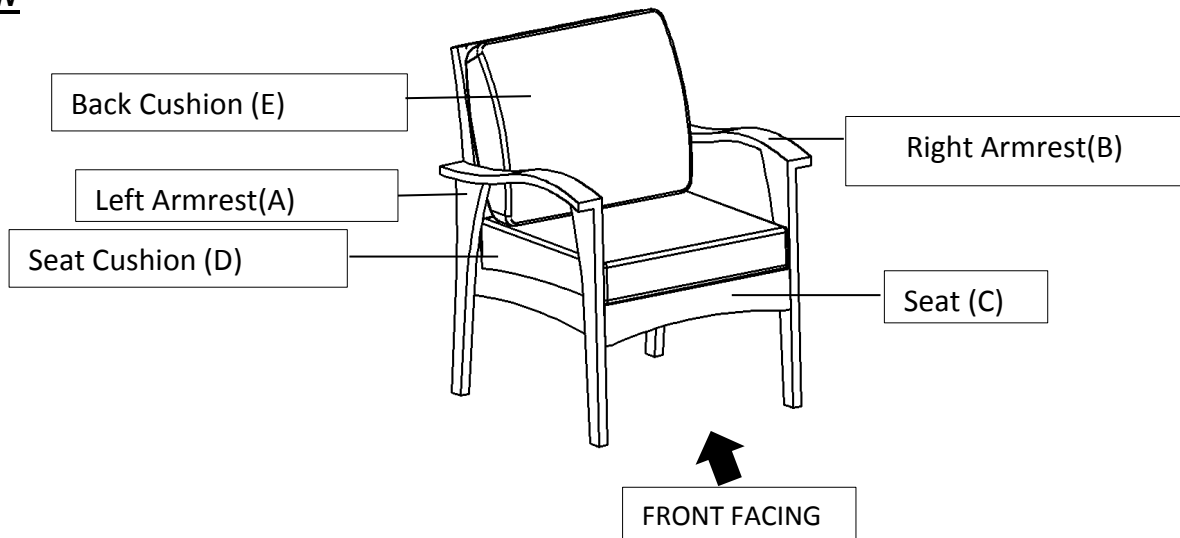
- Assemble on a clean non-marring surface (packing foam)-



- Save all packaging until finished-

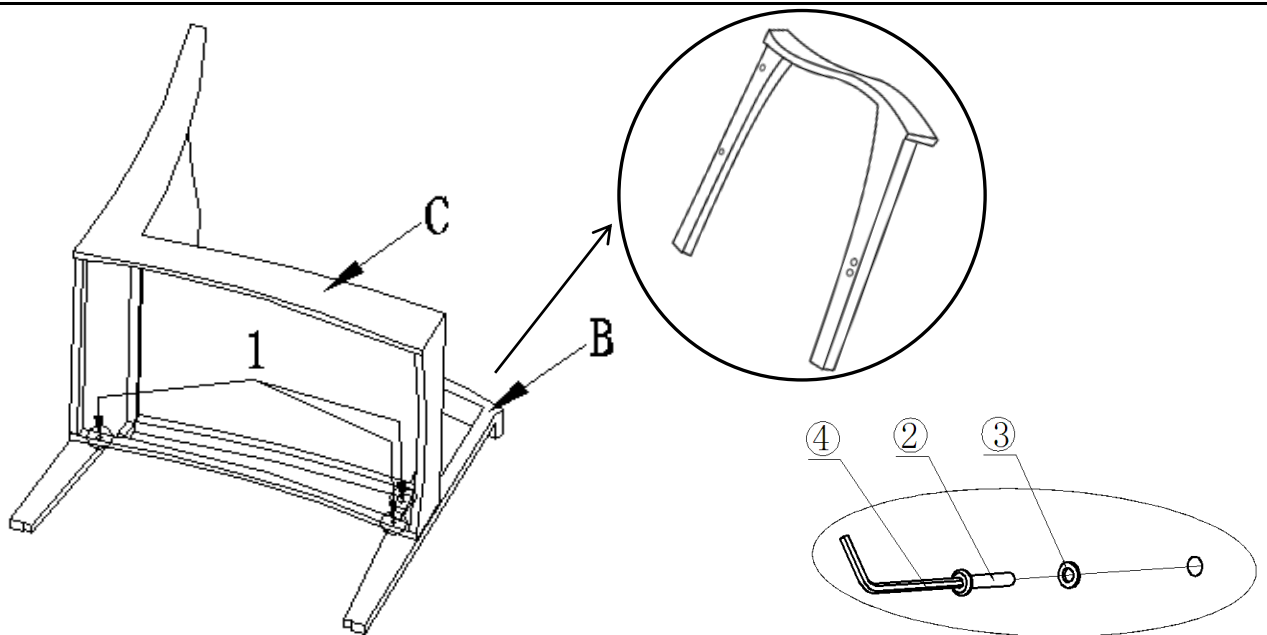
Assembly Steps

Over View



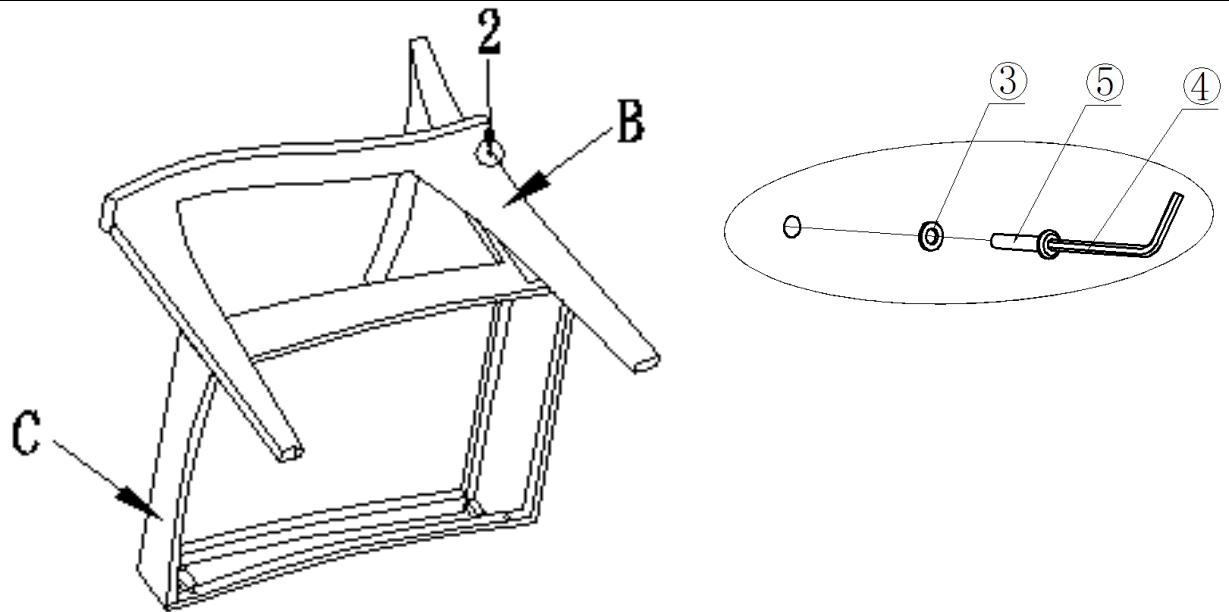
This Armless Chair has multiple parts and may require up to 30 minutes to assemble. To give you an overview of the Armless Chair parts, the above picture is to help you put the various parts into perspective. Please read through the instructions below to familiarise yourself with the parts and steps before assembly.

Step 1



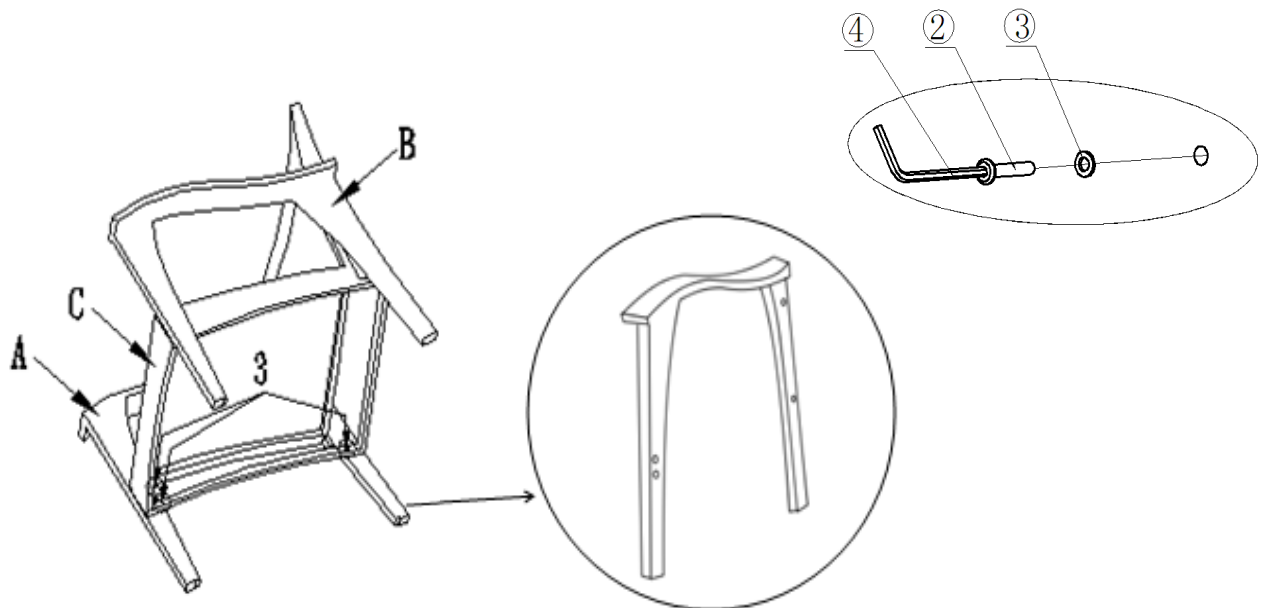
Open the carton and place all the parts onto a clean, non-marring surface.
Put the Seat(C) against the Right Armrest(B) and line up the three mounting positions of both.
Attach the Seat(C) to the Right Armrest(B) using Bolts(②) and Washers(③) with Allen Key(④).
Only loosely tighten Bolts.

Step 2



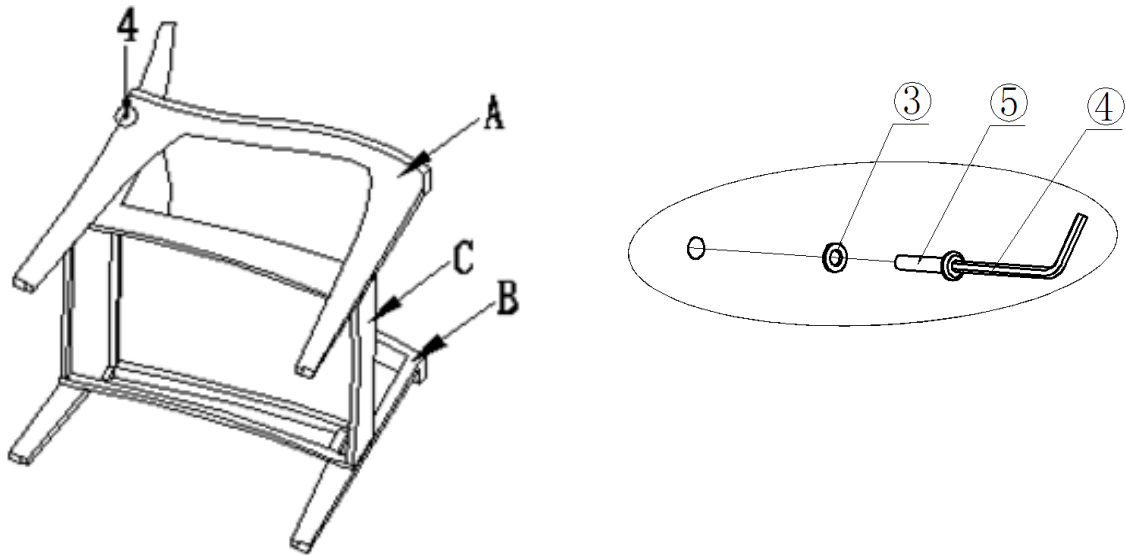
Turn the chair over, and attach Bolt(⑤) and Washer(③) using Allen Key(④) as pictured above. **Only loosely tighten Bolts.**

Step 3



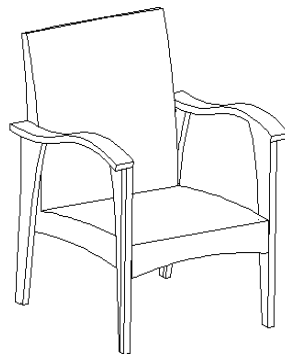
Put the Seat(C) against the Left Armrest(A) and line up the three mounting positions of both. Attach the Seat(C) to the Left Armrest(A) using Bolts(②) and Washers(③) with Allen Key(④). **Only loosely tighten Bolts.**

Step 4



Turn the Chair over, and attach Bolt(⑤) and Washer(③) using Allen Key(④) as pictured above.
Only loosely tighten Bolts.

Step 5



Turn the Chair right side up.
Place the Chair on a LEVEL SURFACE.
Inspect it and make sure all parts are adequately connected.
Gently and gracefully, sit into to the Chair.
This would help to align all the parts at all the joint areas.
Then get off the Chair, and in a sequential manner, proceed to tighten all bolts.

When tightening the Bolts, tighten sequentially.

DO NOT tighten any Bolt fully and then move on to the next one.

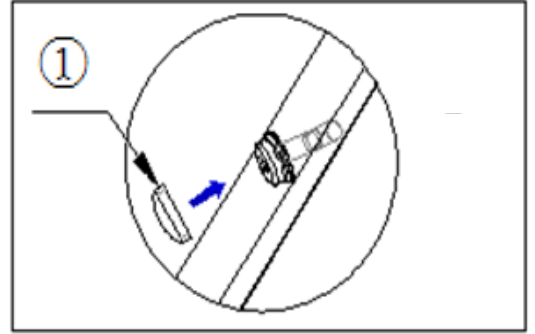
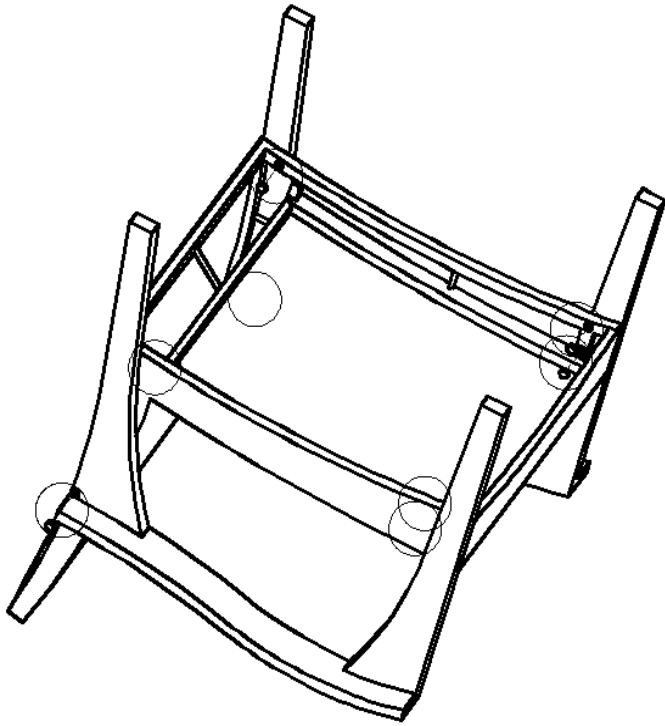
This may cause the frame to warp.

If there is still wobbles, loosen the bolts and execute this same process.

If the Chair is not stable it could lead to damage to the product.

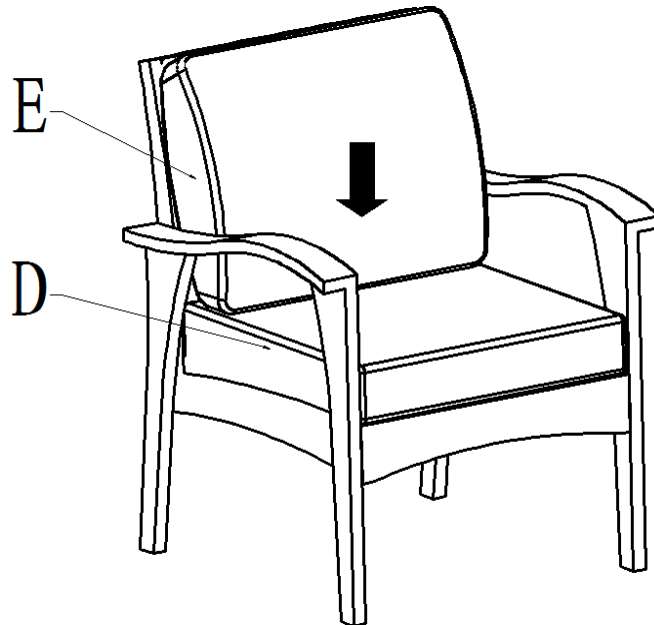
Note: This step is done better with the assistance of a second adult.

Step 6























Put the Bolt Caps(①) over all the Bolts.

Step 7



Turn the Chair right side up.
Place the Back Cushion(E) and Seat Cushion(D) onto the Chair.
Your Chair is ready for use.
Caution: This Chair can only be used on a flat, level surface.

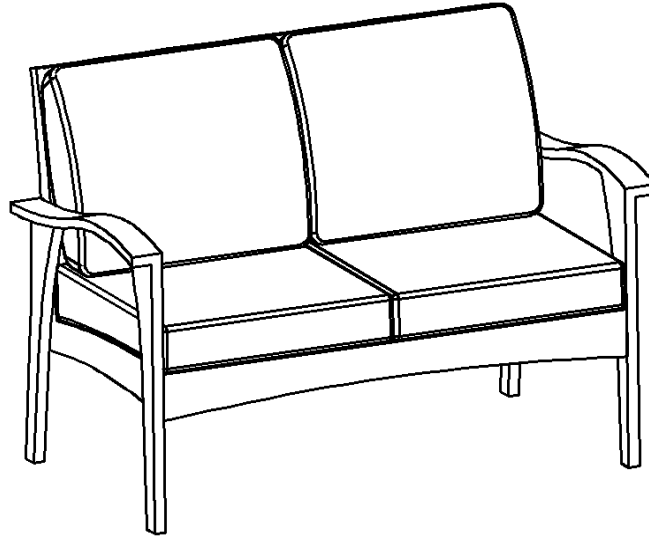
Care & Maintenance

-   ● Do not put hot items directly on furniture surface
 -   ● Do not clean furniture with harsh cleansers or polish.
 -   ● To obtain the longest lifespan of your outdoor products, minimizing exposure to direct sunlight is recommended.
 -   ● Children should not climb or jump on the furniture.
 -   ● Do not write on furniture without a padded barrier to protect the surface.
 -   ● To obtain the longest lifespan of your outdoor products, avoid extended and lengthy exposure to rain, snow, and direct sunshine. Whenever possible cover the product and /or place under patio or awnings.
 -   ● Not for commercial use. For residential use only .
 -   ● Stains may be removed with mild soap solution and damp cloth.
 -   ● Keep away from sources of ignition.
-
-   ● Dust and pick-up spills using a clean, non-colored, lint-free cloth .

Assembly Instructions

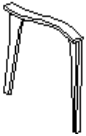
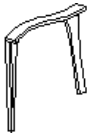
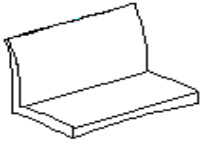
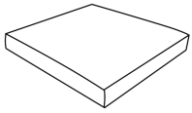
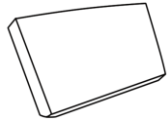
CAUTION : You must read this before you proceed

Love Seat



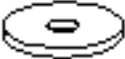




CAUTION : This Love Seat is NOT a TOY.
Keep your child / children at bay during the assembly process.

Parts List

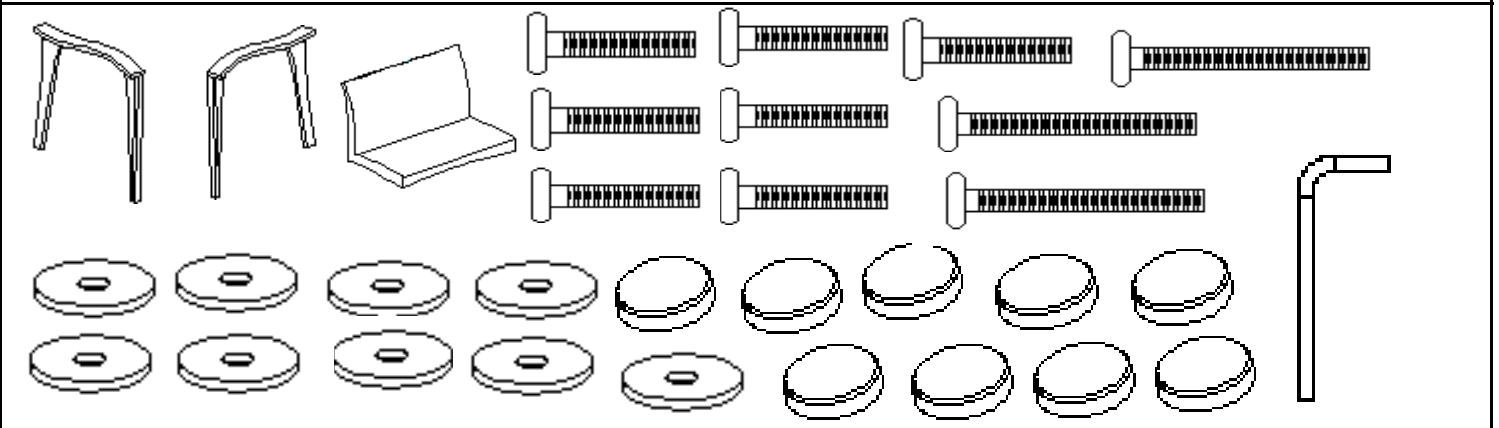
Label	Picture	Description	QTY
A		Left Armrest	1
B		Right Armrest	1
F		Love Seat	1
D		Seat Cushion	2
E		Back Cushion	2

Hardware

Label	Picture	Description	QTY
①		Bolt Cap	9
②		Bolt M6*35mm	7
③		M6 Washer Rings	9
④		Allen Key	1
⑤		Bolt M6*50mm	3

Assembly Preparation

Before Beginning Assembly:



- Read instructions, cover to cover-



- Have 2 adults on hand for assembly-



- Do not assemble on flooring or carpet-



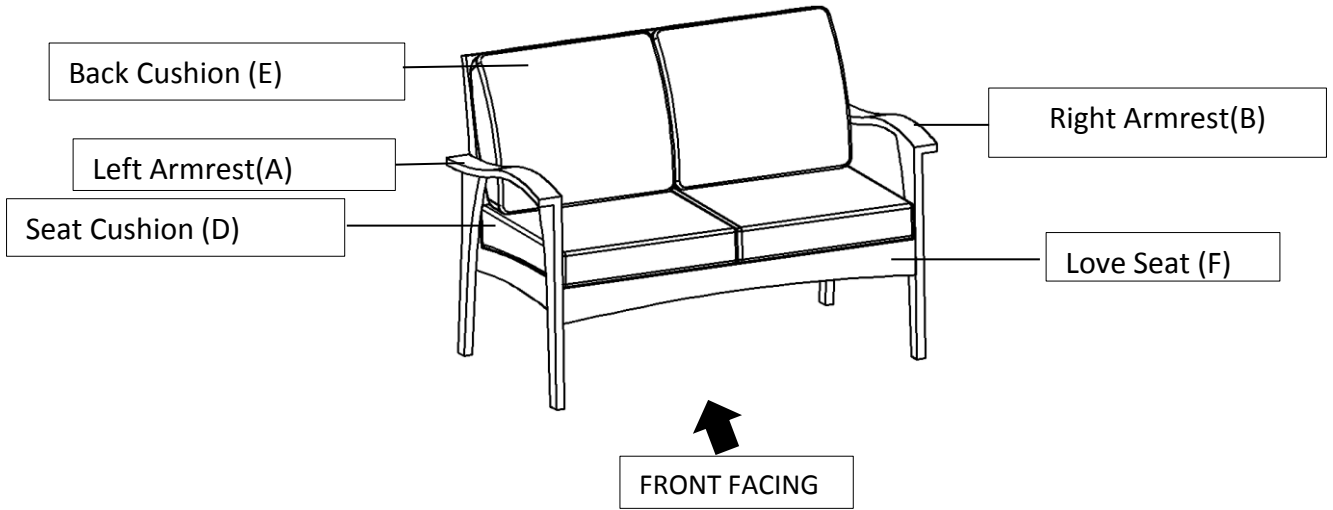
- Assemble on a clean non-marring surface (packing foam)-



- Save all packaging until finished-

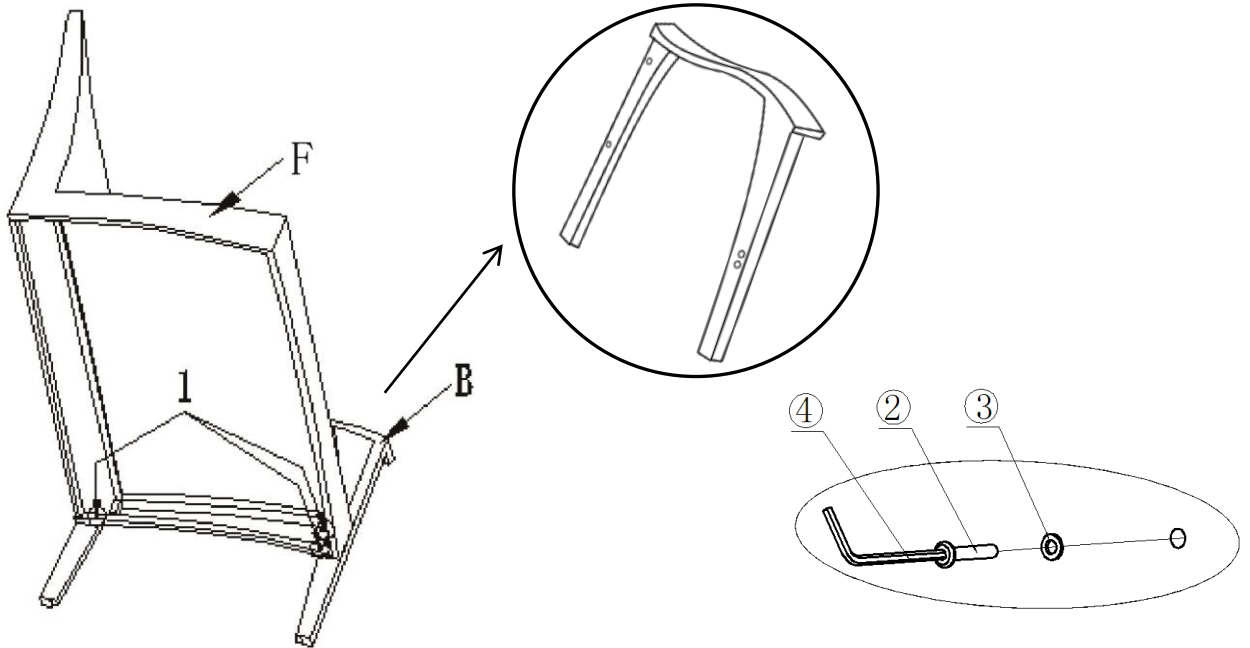
Assembly Steps

Over View



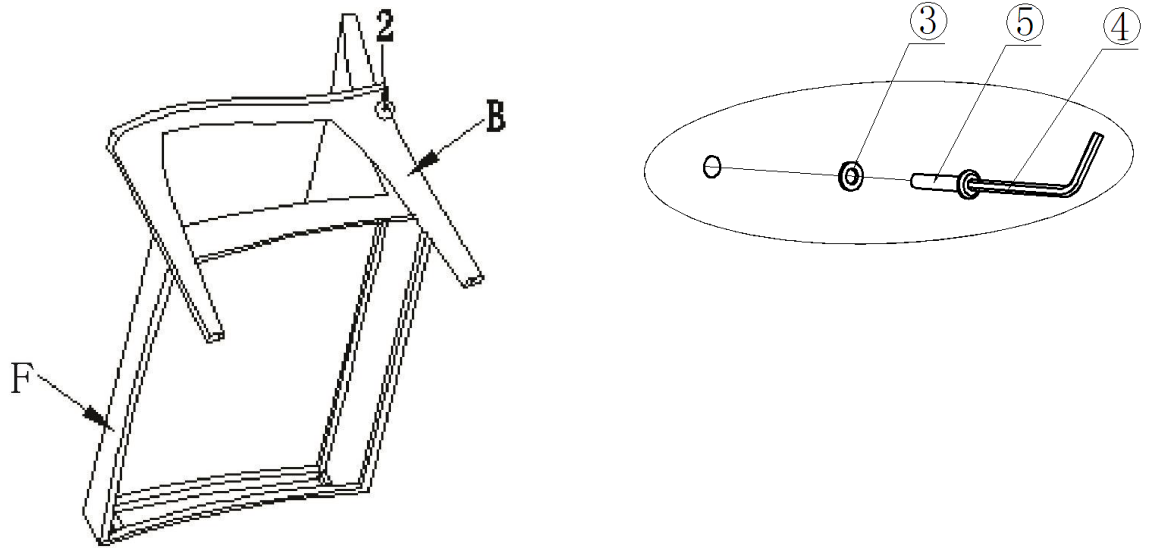
This Armless Chair has multiple parts and may require up to 30 minutes to assemble. To give you an overview of the Armless Chair parts, the above picture is to help you put the various parts into perspective. Please read through the instructions below to familiarise yourself with the parts and steps before assembly.

Step 1



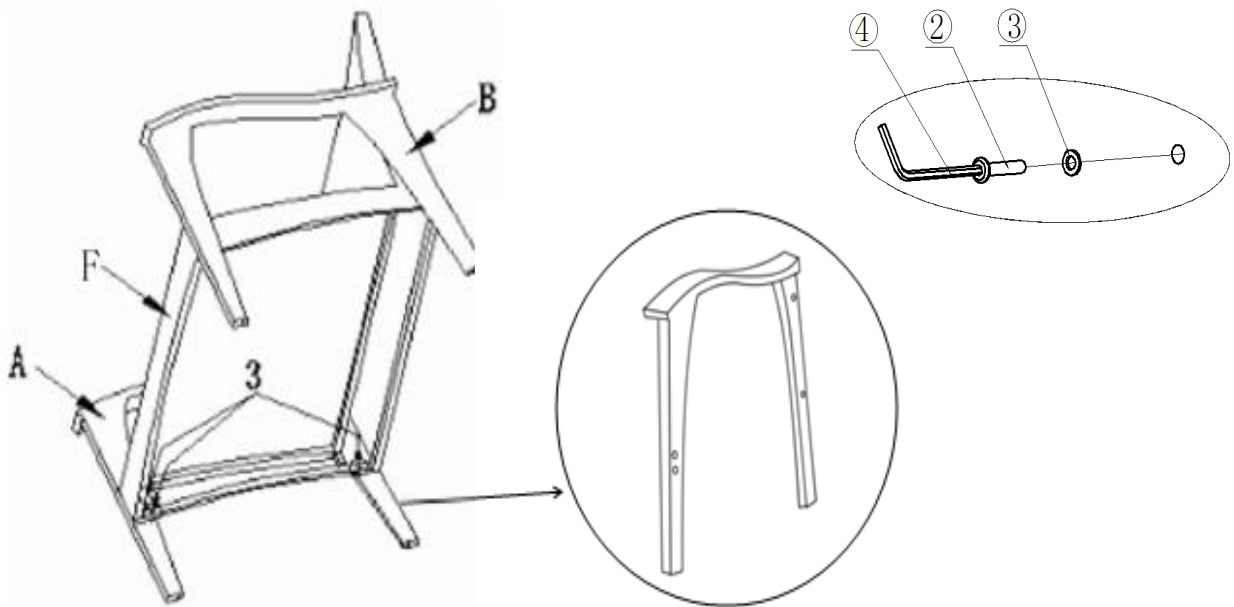
Open the carton and place all the parts onto a clean, non-marring surface.
Put the Love Seat(F) against the Right Armrest(B) and line up the three mounting positions of both.
Attach the Love Seat(F) to the Right Armrest(B) using Bolts(2) and Washers(3) with Allen Key(4).
Only loosely tighten Bolts.

Step 2



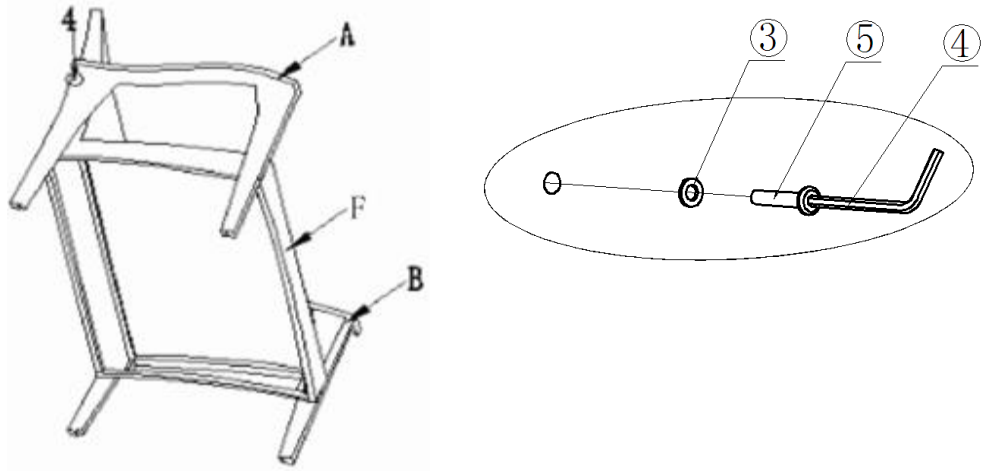
Turn the Love Seat over, and attach Bolt(⑤) and Washer(③) using Allen Key(④) as pictured above. **Only loosely tighten Bolts.**

Step 3



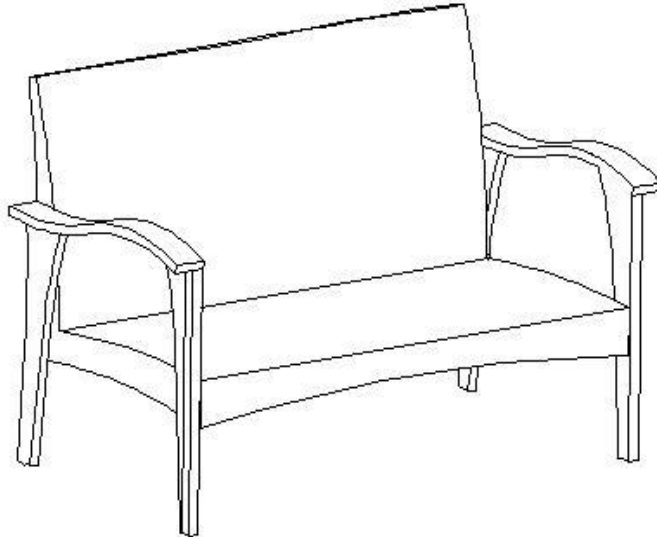
Put the Love Seat(F) against the Left Armrest(A) and line up the three mounting positions of both. Attach the Love Seat(F) to the Left Armrest(A) using Bolts(②) and Washers(③) with Allen Key(④). **Only loosely tighten Bolts.**

Step 4



Turn the Love Seat over, and attach Bolt(⑤) and Washer(③) using Allen Key(④) as pictured above.
Only loosely tighten Bolts.

Step 5



Turn the Love Seat right side up.
Place the Love Seat on a **LEVEL SURFACE**.
Inspect it and make sure all parts are adequately connected.
Gently and gracefully, sit into to the Love Seat.
This would help to align all the parts at all the joint areas.
Then get off the Love Seat, and in a sequential manner, proceed to tighten all bolts.

When tightening the Bolts, tighten sequentially.

DO NOT tighten any Bolt fully and then move on to the next one.

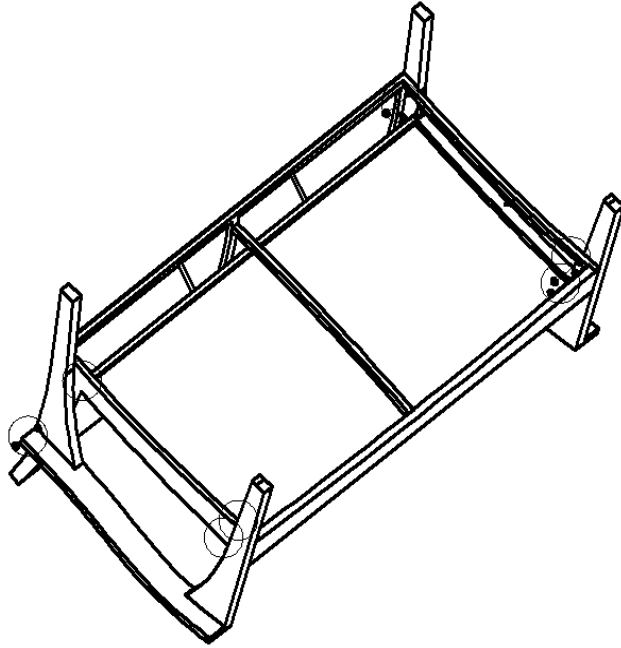
This may cause the frame to warp.

If there is still wobbles, loosen the bolts and execute this same process.

If the Love Seat is not stable it could lead to damage to the product.

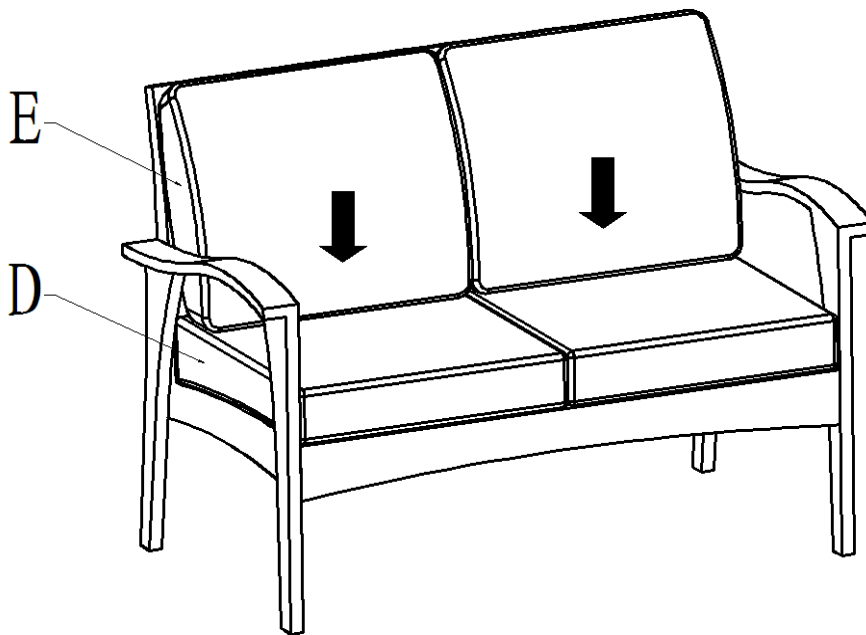
Note: This step is done better with the assistance of a second adult.

Step 6























Put the Bolt Covers(G) over all the Bolts.

Step 7



Turn the Love Seat right side up.
Place the Back Cushion(E) and Seat Cushion(D) onto the Love Seat.
Your Love Seat is ready for use.
Caution: This Chair can only be used on a flat, level surface.

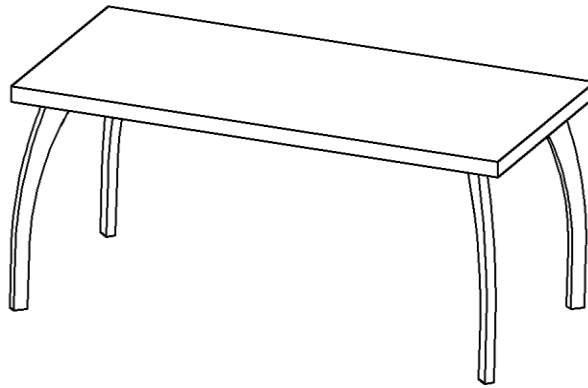
Care & Maintenance

-   ● Do not put hot items directly on furniture surface
 -   ● Do not clean furniture with harsh cleansers or polish.
 -   ● To obtain the longest lifespan of your outdoor products, minimizing exposure to direct sunlight is recommended.
 -   ● Children should not climb or jump on the furniture.
 -   ● Do not write on furniture without a padded barrier to protect the surface.
 -   ● To obtain the longest lifespan of your outdoor products, avoid extended and lengthy exposure to rain, snow, and direct sunshine. Whenever possible cover the product and /or place under patio or awnings.
 -   ● Not for commercial use. For residential use only .
 -   ● Stains may be removed with mild soap solution and damp cloth.
 -   ● Keep away from sources of ignition.
-
-   ● Dust and pick-up spills using a clean, non-colored, lint-free cloth .

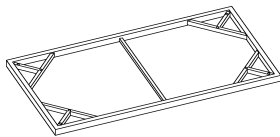

Assembly Instructions

Caution : You must read this before you proceed





Table



Parts List

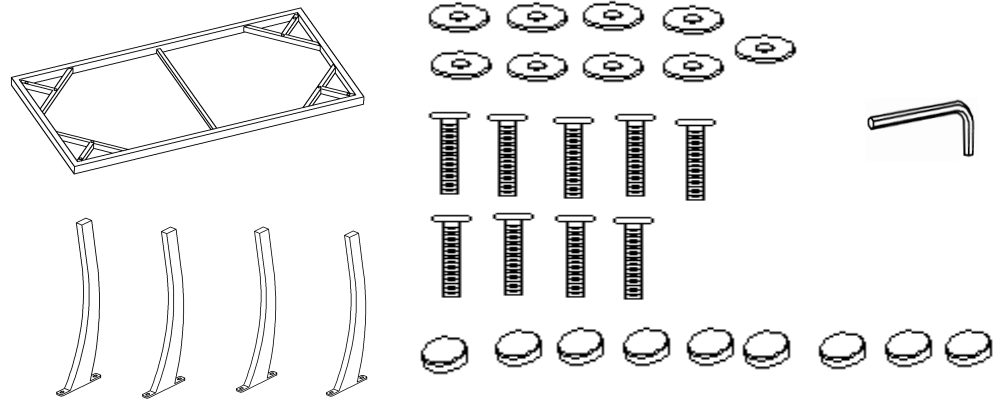
Label	Picture	Description	QTY
W		Tabletop	1
V		Leg	4

Hardware

Label	Picture	Description	QTY
①		Bolt Cap	9
⑦		Bolt (M6*20mm)	9
③		Washer	9
④		Allen Key	1

Assembly Preparation

Before Beginning Assembly:



- Read instructions, cover to cover-



- Have 2 adults on hand for assembly-



- Do not assemble on flooring or carpet-



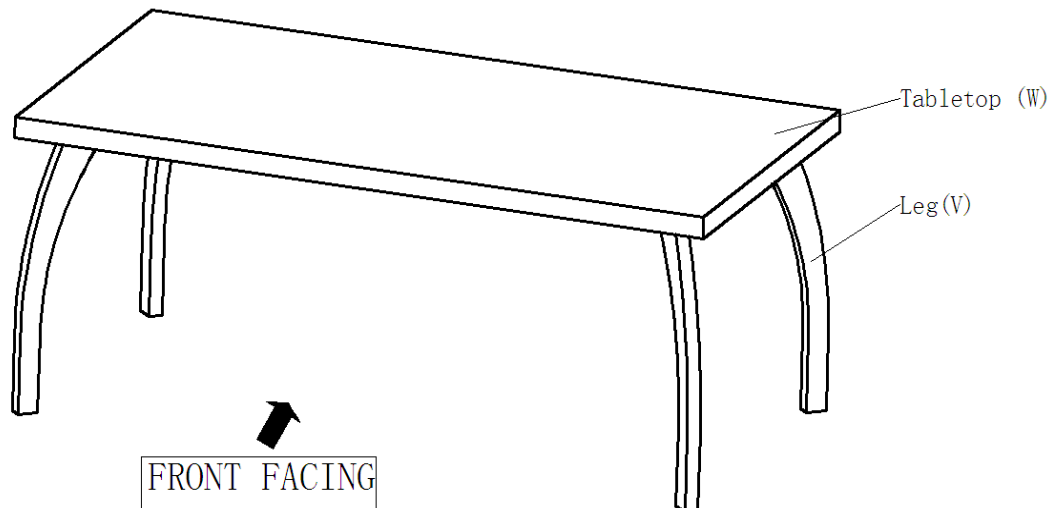
- Assemble on a clean non-marring surface (packing foam)-



- Save all packaging until finished-

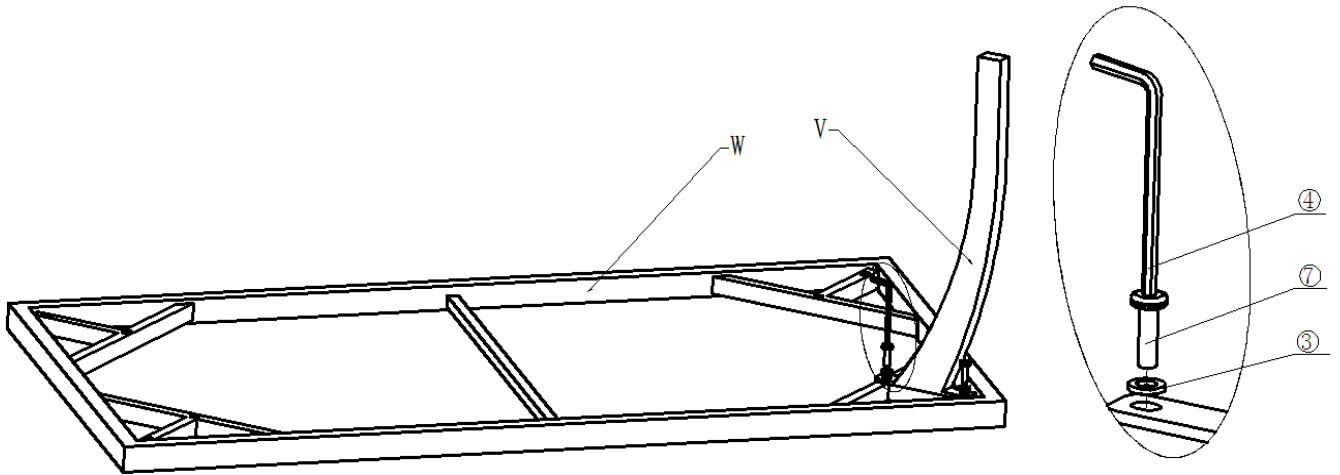
Assembly Steps

Overview



This Table has multiple parts and may require up to 30 minutes to assemble. To give you an overview of the Table parts, the above picture is to help you put the various parts into perspective. Please read through the instructions below to familiarise yourself with the parts and steps before assembly.

Step 1



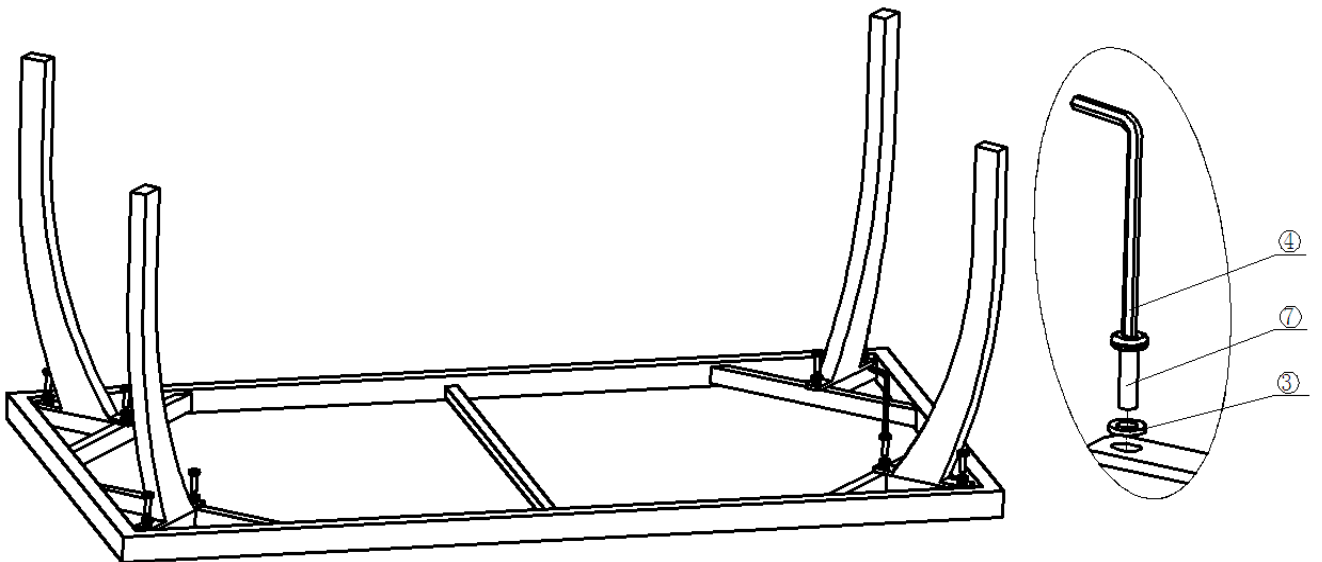
Open the carton and place all the parts onto a clean, non-marring surface.

Attach Leg (V) onto the Tabletop (W) with Bolt (7) and Washer (3) using Allen Key (4).

Only loosely tighten Bolts.

Caution: The Tabletop is heavy, always use two or more adults whenever lifting or moving it.

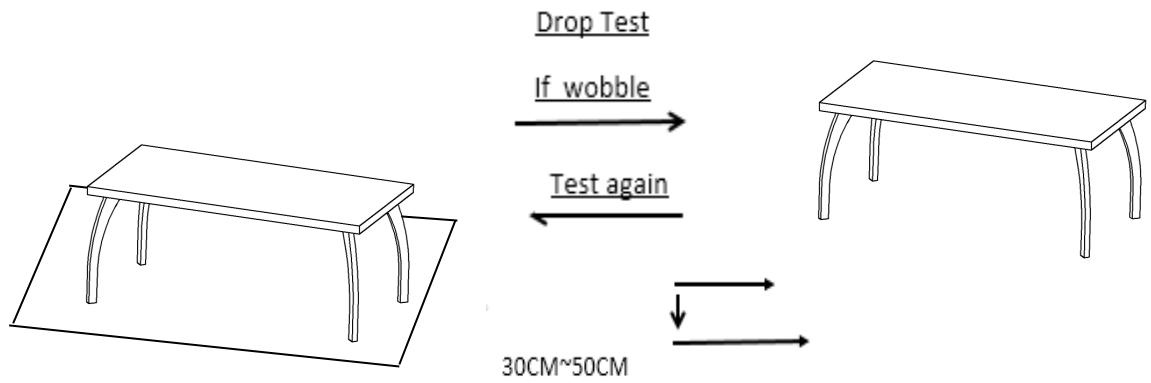
Step 2



Repeat **Step 1** with the remaining three Legs (V) .

Only loosely tighten Bolts.

Step 3



Stand the Table right way up. Place the Table on a LEVEL SURFACE to check for wobbles. If it wobbles, lift the table some 20cm to 30cm high from the ground. Keep your feet and toes well away from the drop zone. Drop the table freely and vertically with all four legs, hitting the ground, at the same time. This Drop Test will help to ensure that all Bolts and gaps reach full alignment status. Test again for evenness on a LEVEL SURFACE. If no wobbles are found, slowly and carefully, turn the Table facedown. Then, proceed to tighten all Bolts in a sequential manner.

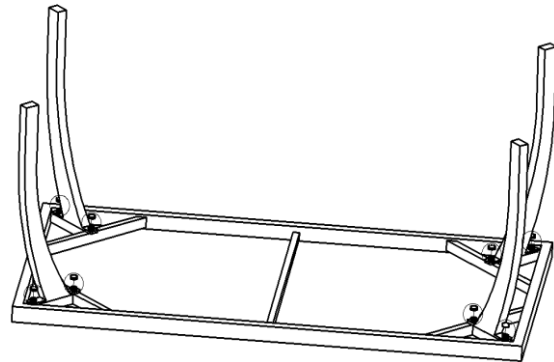
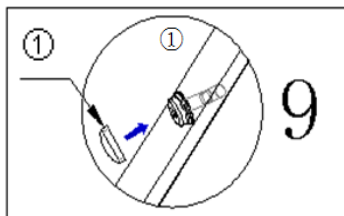
When tightening the Bolts, tighten sequentially.

DO NOT tighten any Bolt fully and then towards the next one.

This could cause the frame to warp. If there are still wobbles, loosen the Bolts and execute the same drop test.

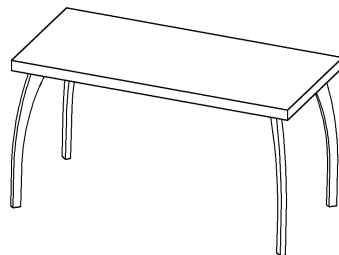
If the Table is not stable, it could lead to damage to the product.

Step 4























Use the Bolt Cap(①) to cover all Bolts (⑦) .

Step 5



Your Table is ready for use.
This Table can only be used on a flat, level surface.

Care & Maintenance

-   ● Do not put hot items directly on furniture surface
 -   ● Do not clean furniture with harsh cleansers or polish.
 -   ● To obtain the longest lifespan of your outdoor products, minimizing exposure to direct sunlight is recommended.
 -   ● Children should not climb or jump on the furniture.
 -   ● Do not write on furniture without a padded barrier to protect the surface.
 -   ● To obtain the longest lifespan of your outdoor products, avoid extended and lengthy exposure to rain, snow, and direct sunshine. Whenever possible cover the product and /or place under patio or awnings.
 -   ● Not for commercial use. For residential use only .
 -   ● Stains may be removed with mild soap solution and damp cloth.
 -   ● Keep away from sources of ignition.
-
-   ● Dust and pick-up spills using a clean, non-colored, lint-free cloth .