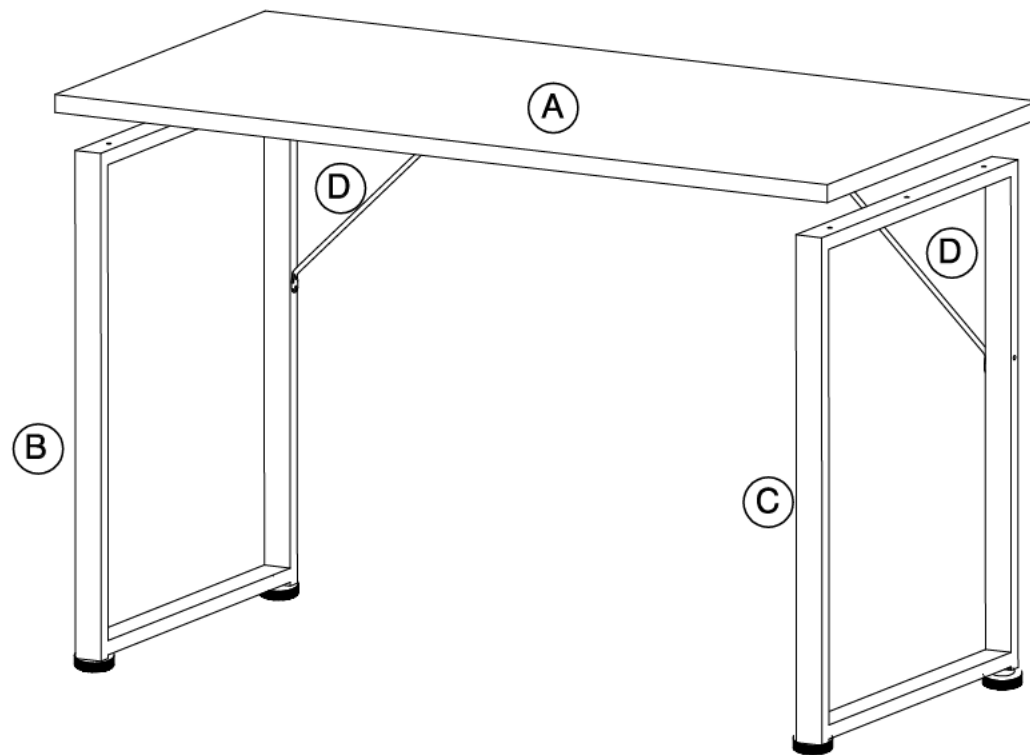

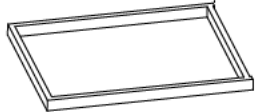
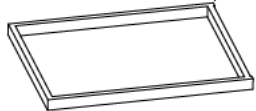




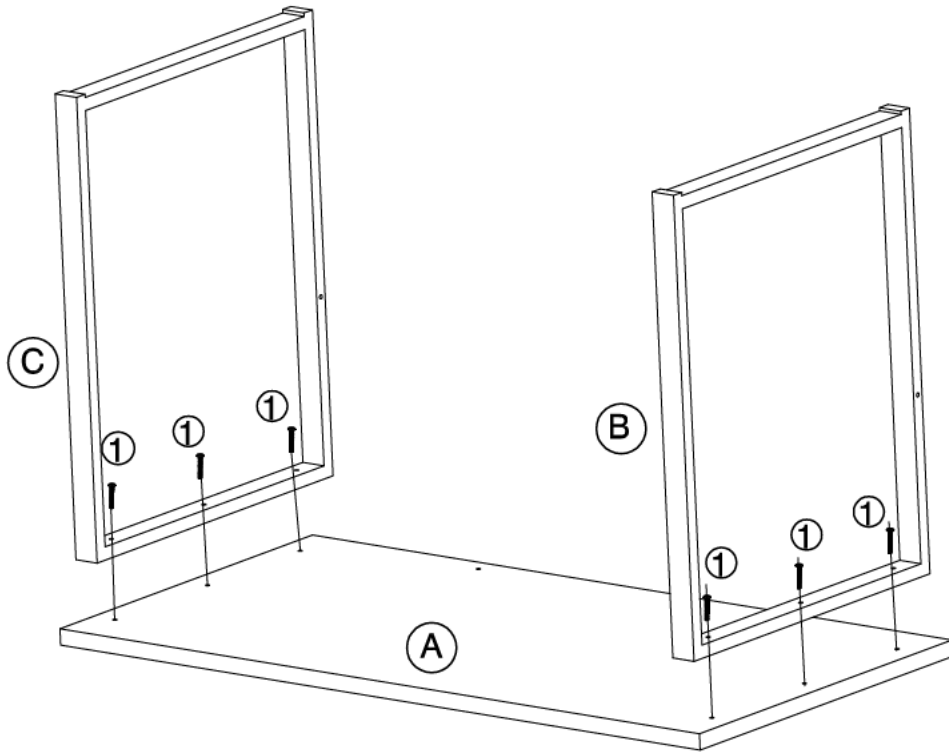


# Parts List



Parts ID	image	description	qty
A		Table Top	1
B		Left Table Leg	1
C		Right Table Leg	1
D		Connector	2
<b>Hardware Parts</b>			
1		6X30MM	6
2		6X12MM	4
3		M8	4

1

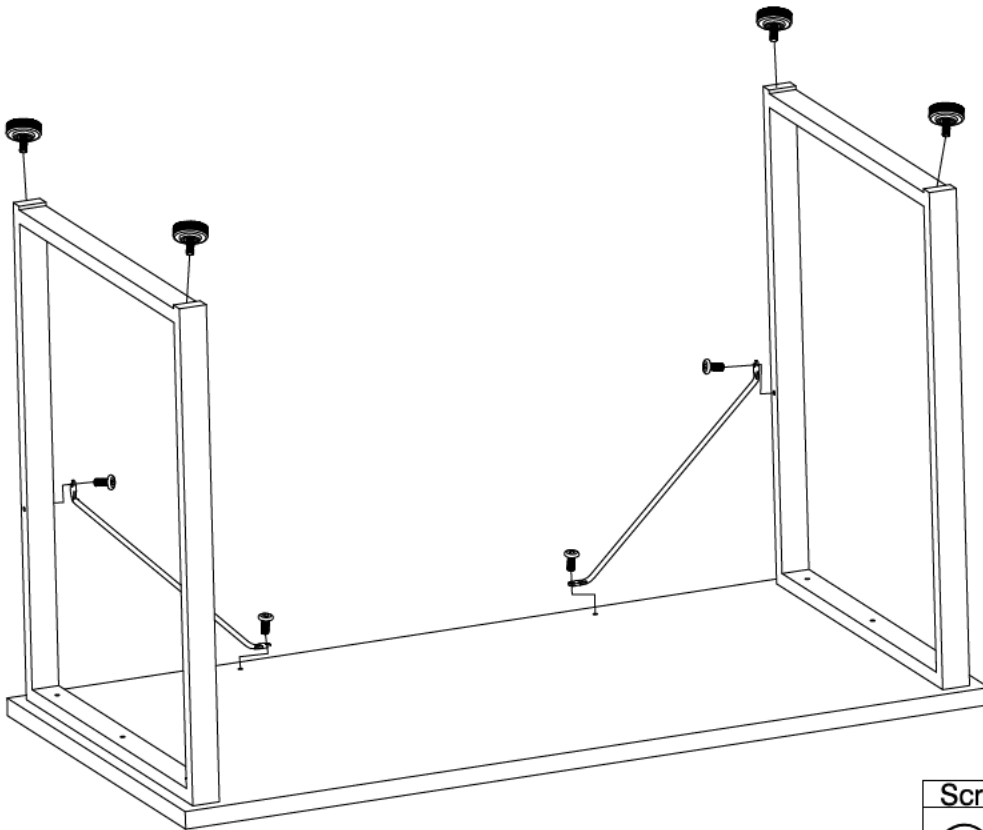


Screw

① 6x30 MM

 6PCS


2



Screw

② 6x12MM

 4PCS

③  4PCS