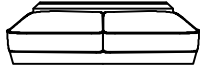
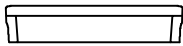



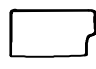
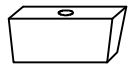







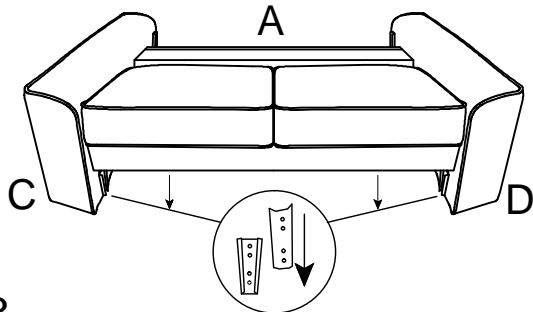
# Assembly Instruction

## 60536/60539/60542

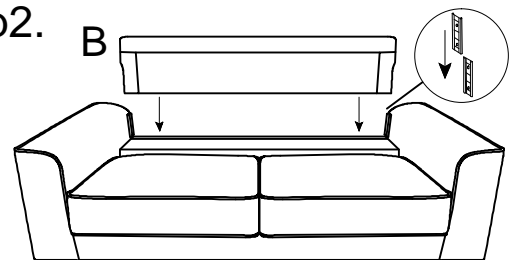
### COMPONENT LIST

NO.	DRAWING	QTY	NO.	DRAWING	QTY
A		1	B		1
C		1	D		1
E		1	F		1
G		4	H		4
I		1	J		4
K		1	L		1

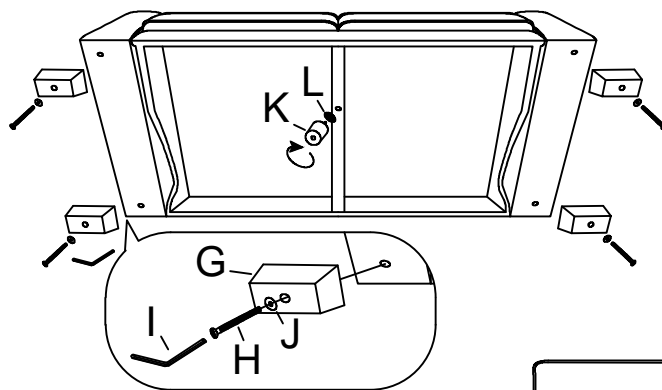
Step1.



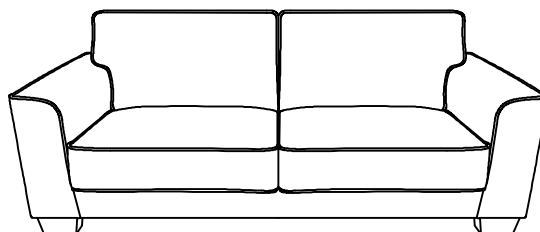
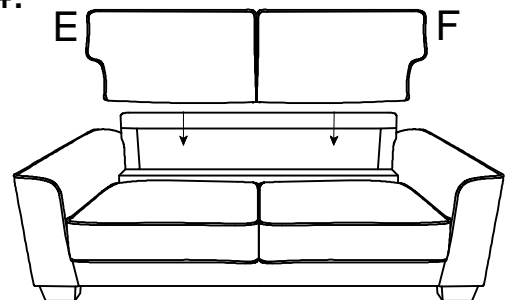
Step2.



Step3.



Step4.



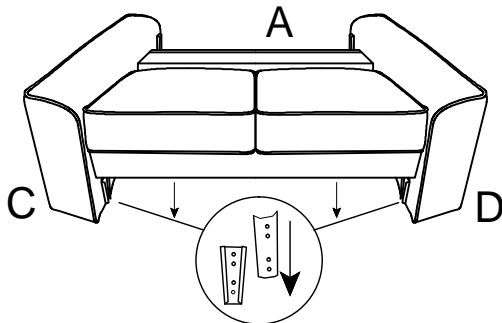
# Assembly Instruction

## 60535/60538/60541

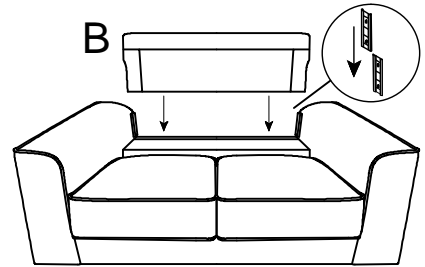
### COMPONENT LIST

NO.	DRAWING	QTY	NO.	DRAWING	QTY
A		1	B		1
C		1	D		1
E		1	F		1
G		4	H		4
I		1	J		4

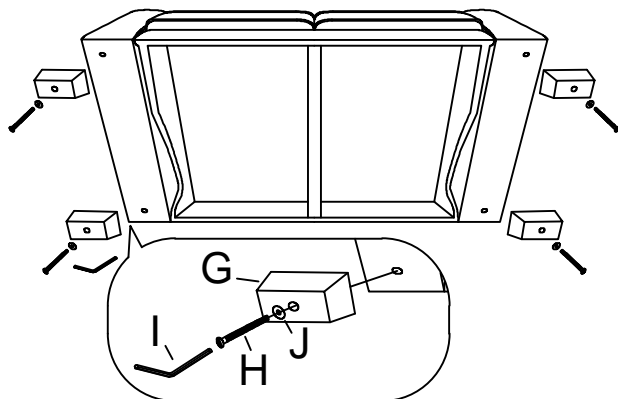
Step1.



Step2.



Step3.



Step4.

